



US00D425237S

United States Patent [19] Scott

[11] **Patent Number: Des. 425,237**

[45] **Date of Patent: ** *May 16, 2000**

[54] **LANTERN SHIELD**

4,074,123 2/1978 Wissinger 362/343 X

[76] Inventor: **Randall K. Scott**, Rte. 1 Box 21,
Marion, Va. 24354

OTHER PUBLICATIONS

Rudolf Modley "Handbook of Pictorial Symbols" ©1974,
Lantern Indica.

[*] Notice: This patent is subject to a terminal disclaimer.

Primary Examiner—Susan J. Lucas

[**] Term: **14 Years**

[57] CLAIM

[21] Appl. No.: **07/747,914**

The ornamental design for a lantern shield, as shown and described.

[22] Filed: **Aug. 19, 1991**

DESCRIPTION

[51] **LOC (7) Cl.** **26-99**

FIG. 1 is a front elevational view of the lantern shield showing my new design;

[52] **U.S. Cl.** **D26/118**

FIG. 2 is a rear elevational view thereof;

[58] **Field of Search** D26/118, 128-137;
362/341-358

FIG. 3 is a left side elevational view thereof;

FIG. 4 is a right side elevational view thereof;

FIG. 5 is a top plan view thereof; and,

FIG. 6 is a bottom plan view thereof.

[56] References Cited

U.S. PATENT DOCUMENTS

2,482,543 9/1949 Jackson et al. 362/347
2,700,100 1/1955 Wissinger 362/347 X

1 Claim, 3 Drawing Sheets

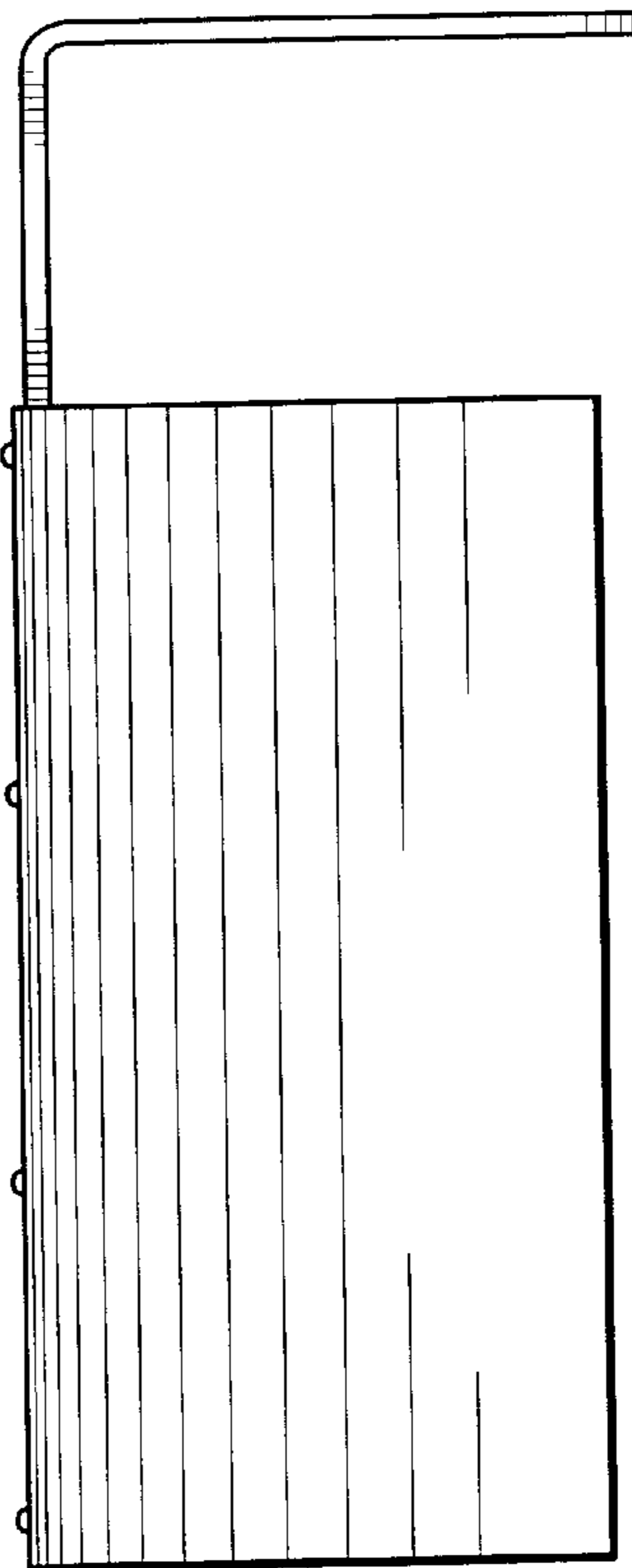
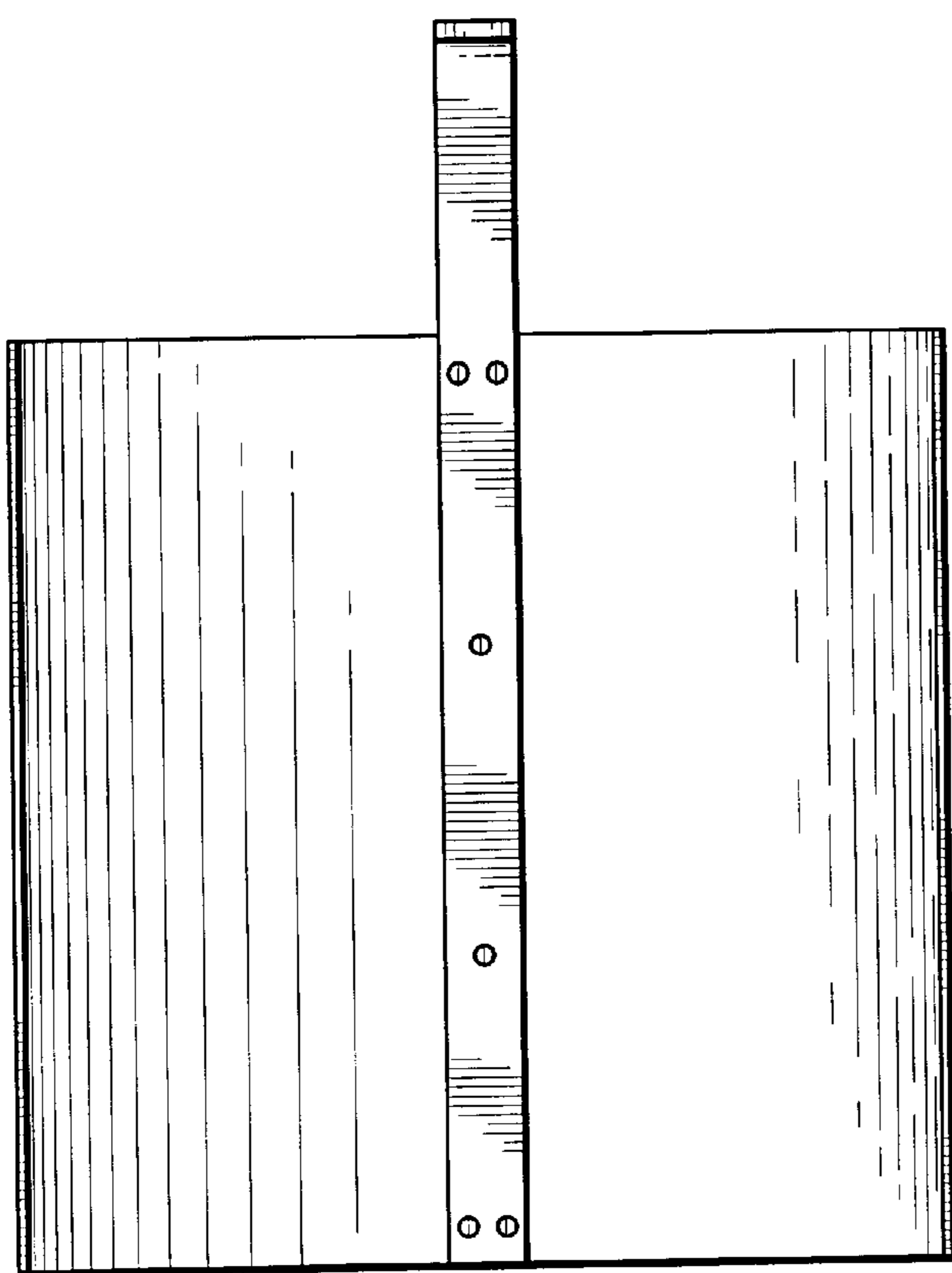


Fig. 1

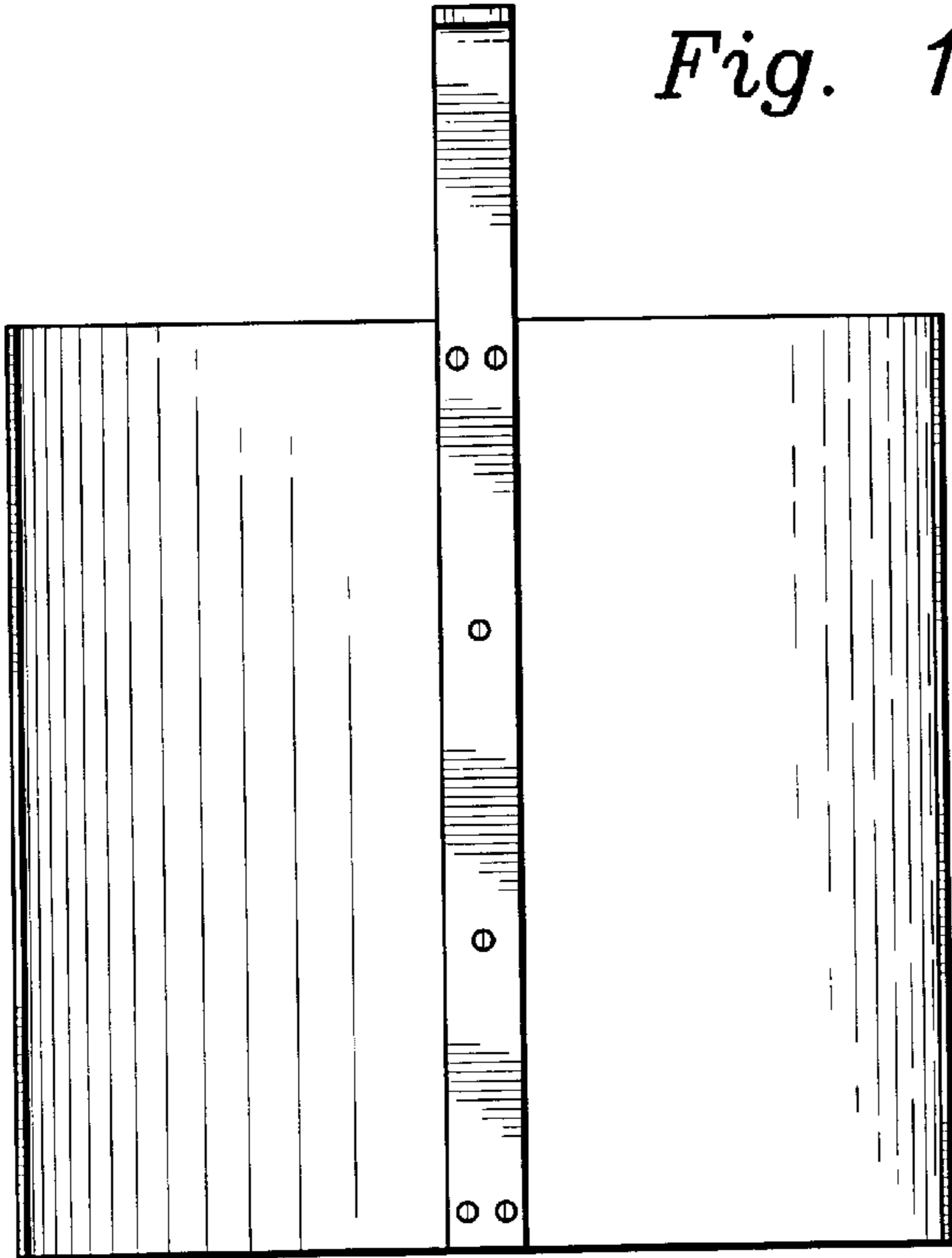
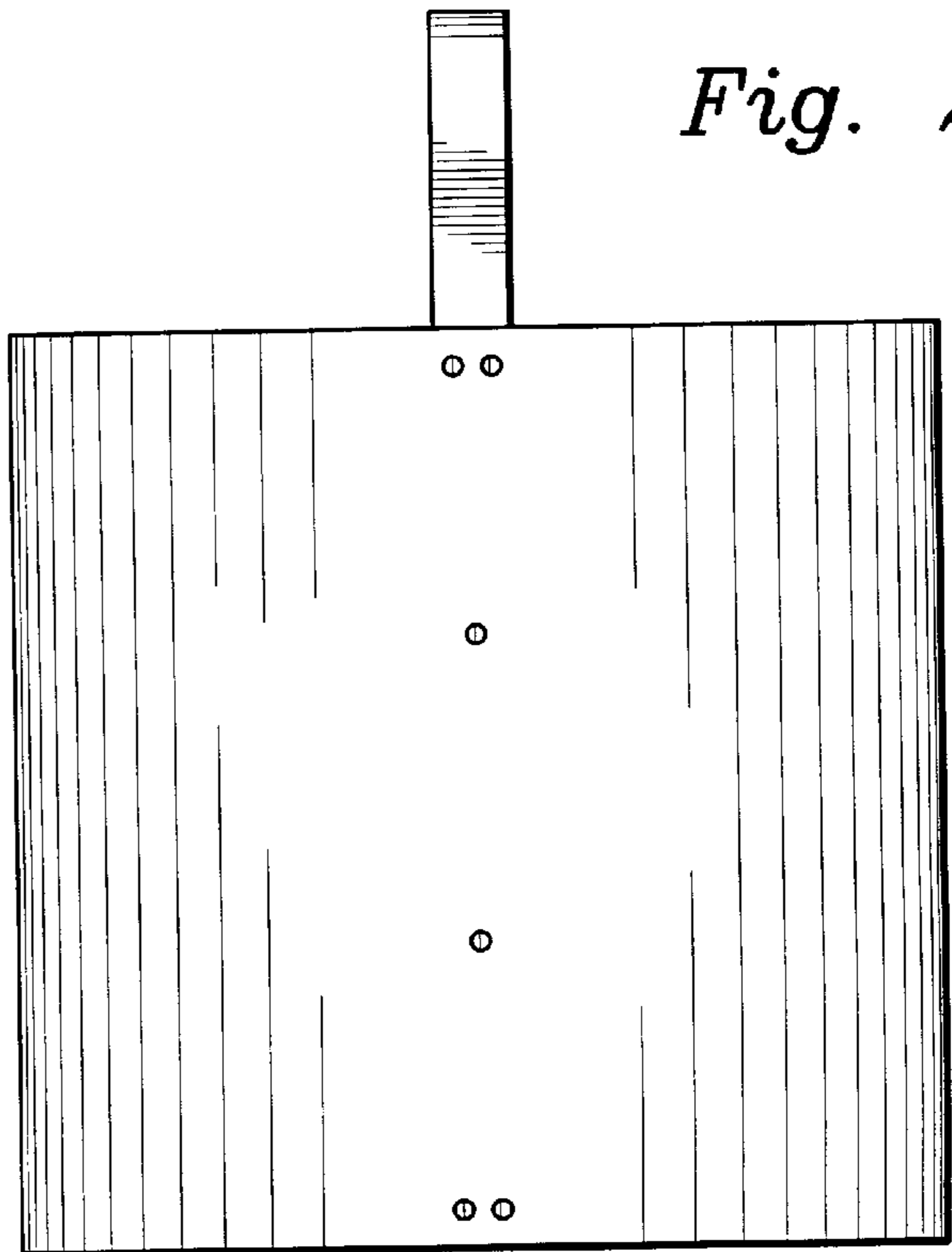


Fig. 2



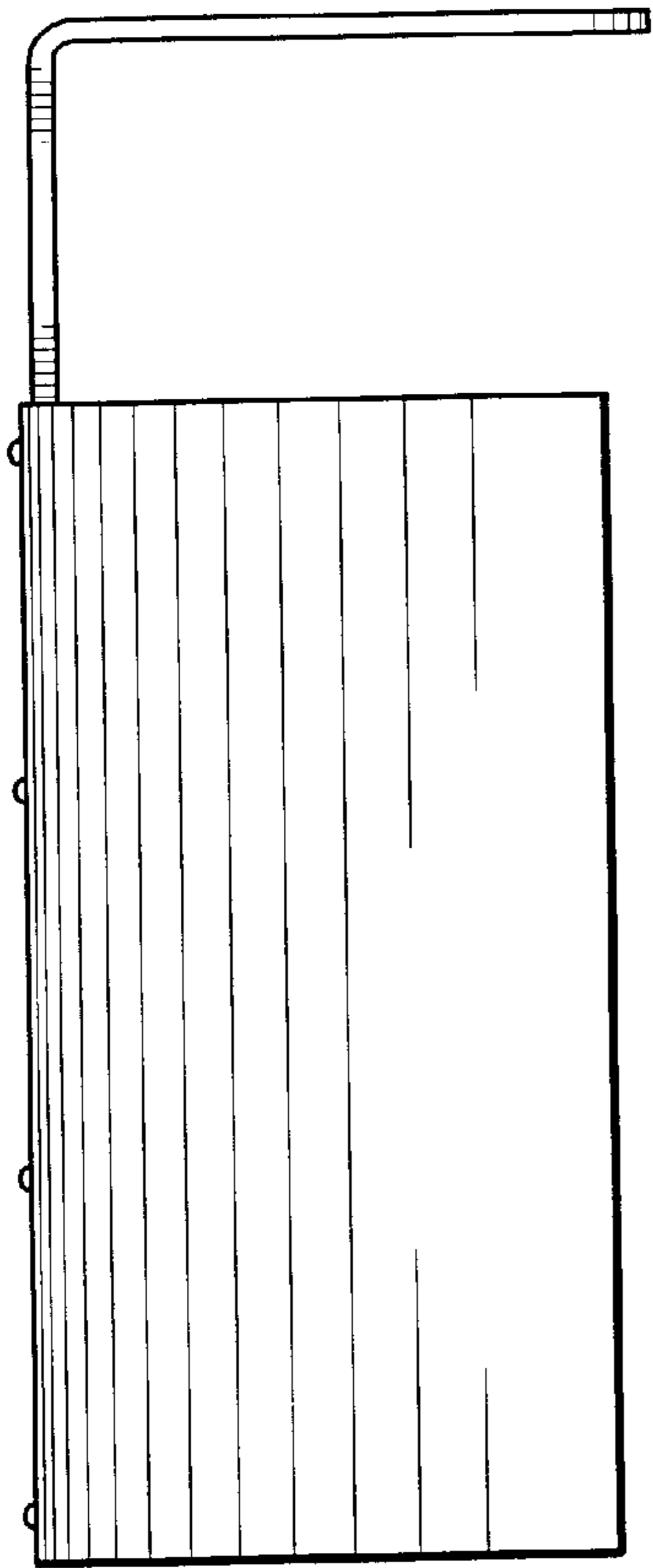


Fig. 3

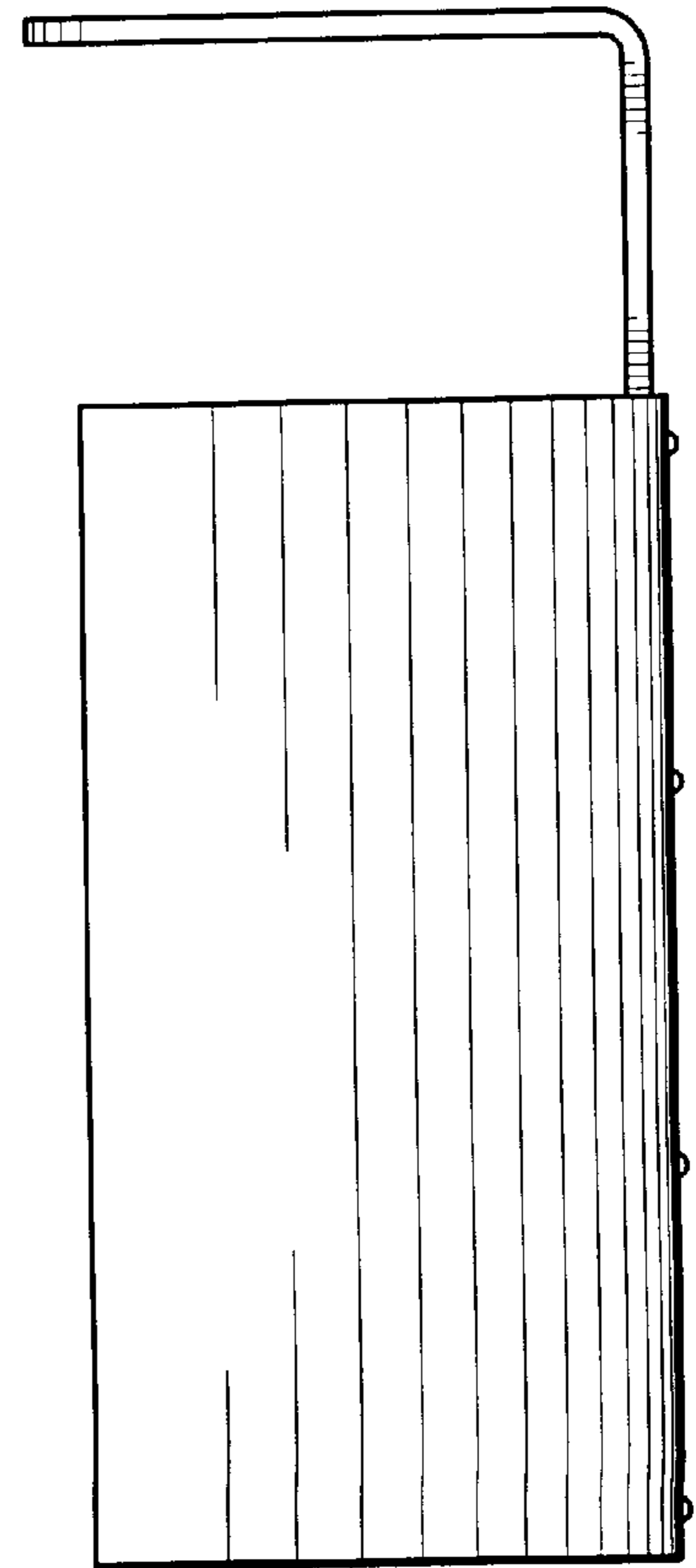


Fig. 4

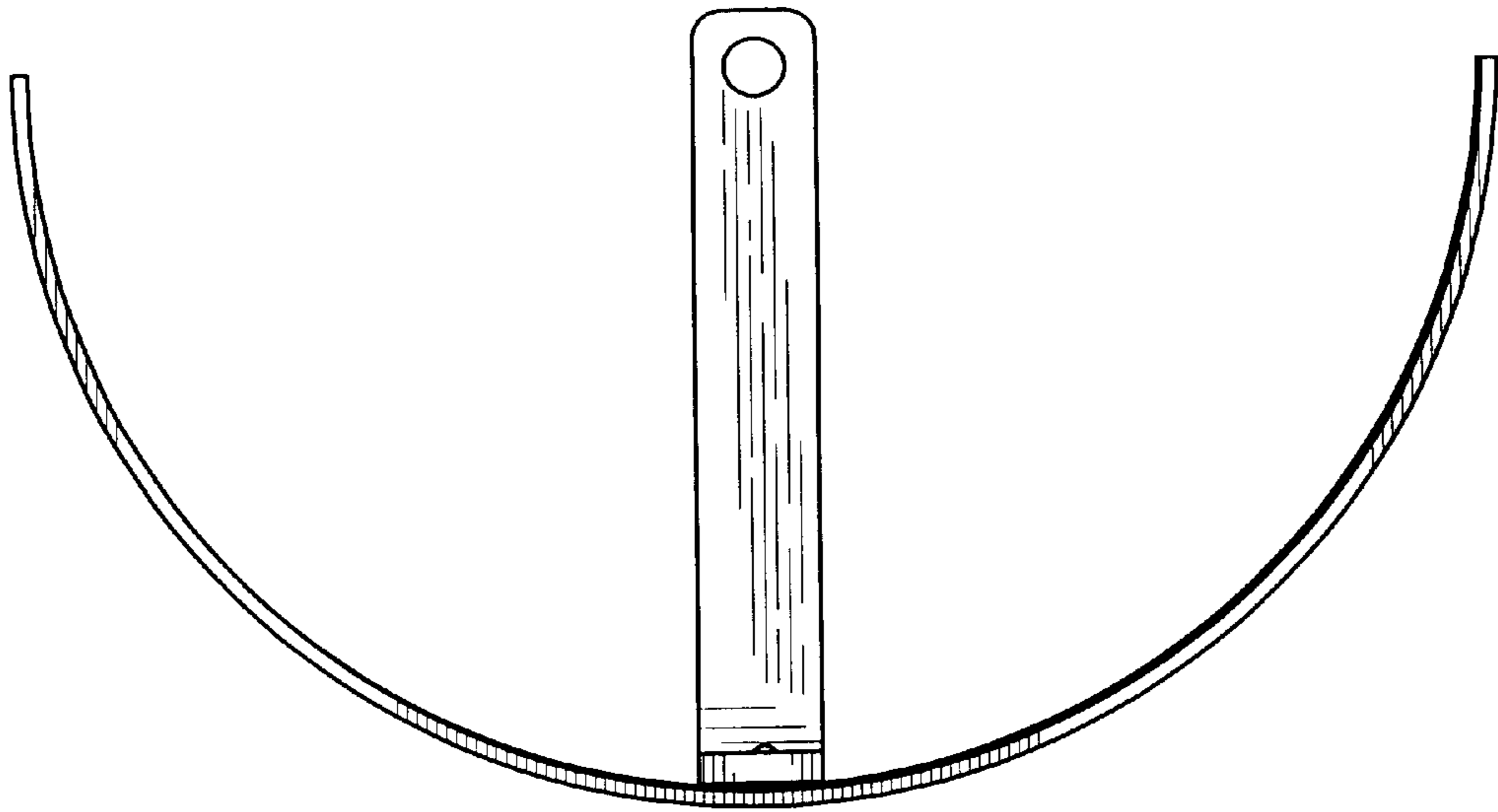


Fig. 5

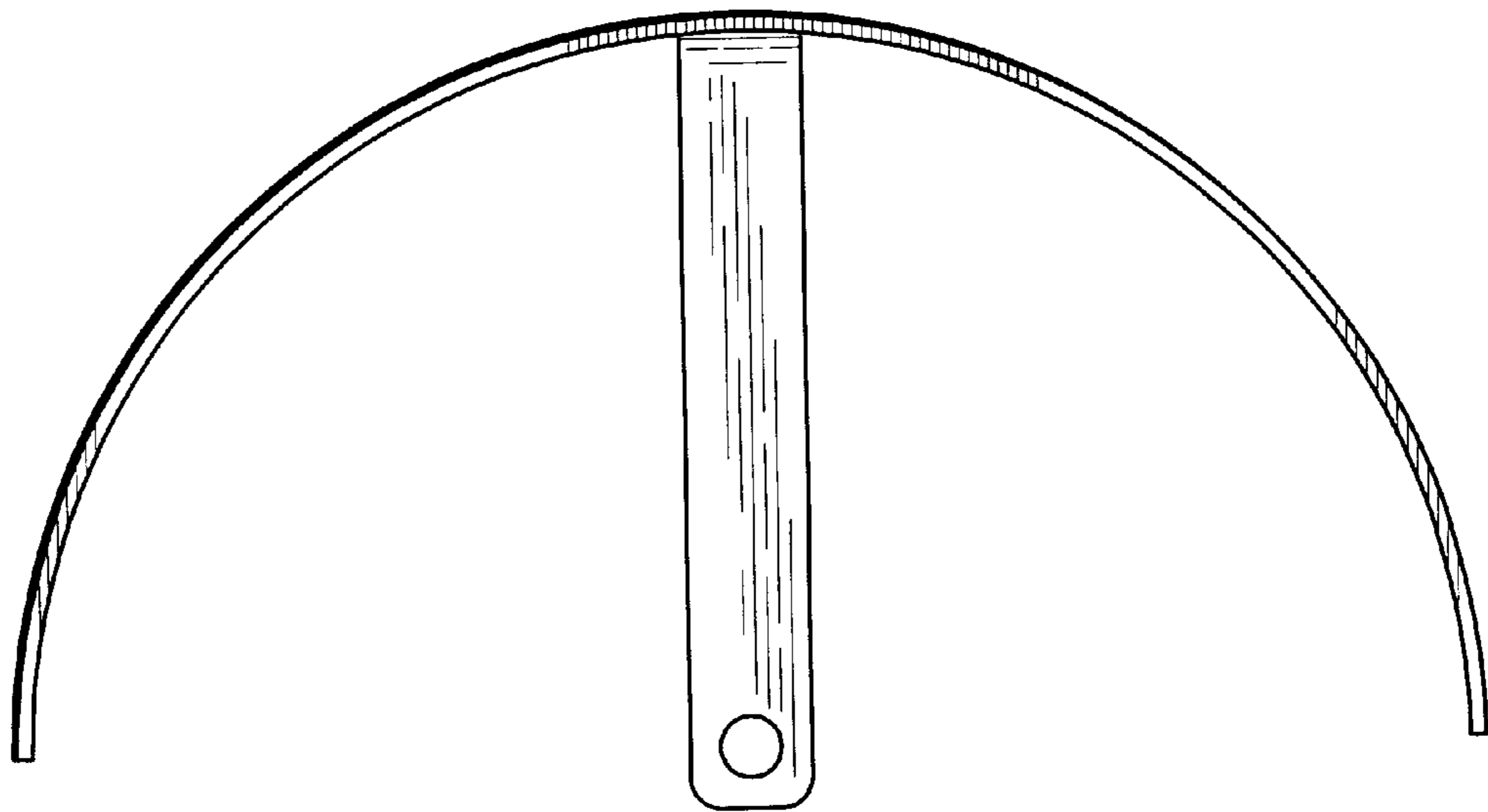


Fig. 6