



US00D425236S

United States Patent [19]

[11] Patent Number: **Des. 425,236**

Porter et al.

[45] Date of Patent: **** May 16, 2000**

[54] **LIGHTING FIXTURE**

[75] Inventors: **David H. Porter**, Chagrin Falls;
Kenneth J. Nicholas, Parma, both of Ohio

[73] Assignee: **The L.D. Kichler Co.**, Cleveland, Ohio

[**] Term: **14 Years**

[21] Appl. No.: **29/097,835**

[22] Filed: **Dec. 15, 1998**

[51] **LOC (7) Cl.** **26-05**

[52] **U.S. Cl.** **D26/86**

[58] **Field of Search** D26/72, 80-92;
362/404-408

Illuminotecnica Catalog, pp. 11 and 31, dated Sep. 1992.
Design with Lighting Catalog, p. 35, Spread Light Model 6852BK.
Kichler Catalog ©1989, p. 105, Wall Lantern #K-9720.
Corbett Lighting catalog, p. 85, ceiling fixture # S 4556, Aug. 1995.
Sea Gull lighting catalog, p. 9, ceiling fixture, # 6178-02, Jan. 1996.

Primary Examiner—Susan J. Lucas
Attorney, Agent, or Firm—Watts, Hoffmann, Fisher & Heinke, Co., L.P.A.

[57] **CLAIM**

We claim the ornamental design for a lighting fixture, as shown and described.

[56] **References Cited**

U.S. PATENT DOCUMENTS

- D. 300,373 3/1989 Galipeau et al. .
- D. 347,905 6/1994 Barbour .
- D. 382,079 8/1997 Porter .
- D. 383,237 9/1997 Porter .
- D. 383,239 9/1997 Porter .
- 2,786,936 3/1957 Appelton .

OTHER PUBLICATIONS

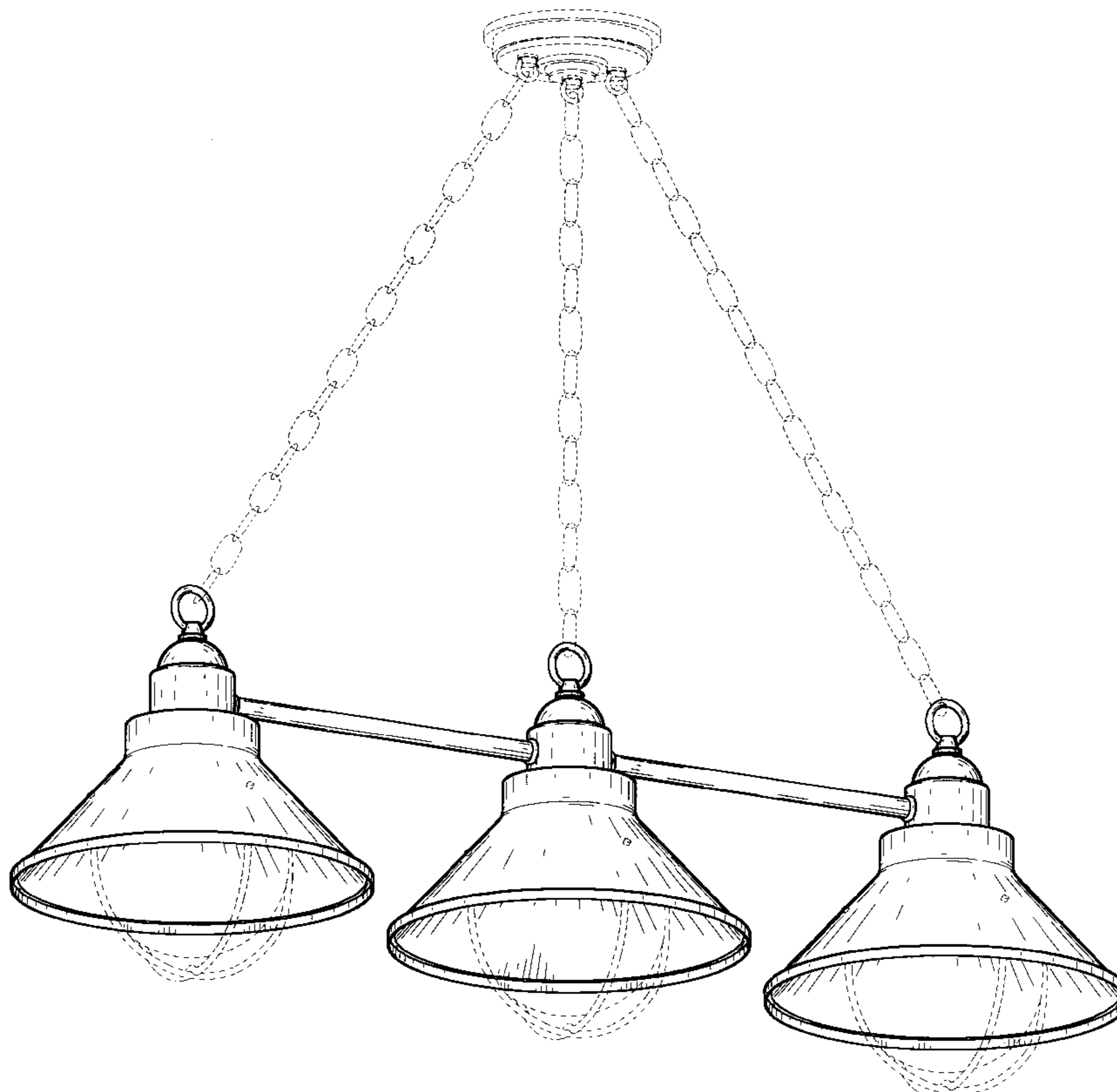
Progress Lighting Ideas Book, ©1990, p. 1128, Wall Lantern # P5991-25.

Yamagiwa Catalog No. 3, pp. 140-141 and 254-255, dated 1993-1994.

DESCRIPTION

FIG. 1 is a perspective view of a lighting fixture showing our new design;
FIG. 2 is a left side elevational view of the lighting fixture, the right side elevational view being identical;
FIG. 3 is a front elevational view of the lighting fixture, the rear elevational view being identical;
FIG. 4 is a top plan view of the lighting fixture; and,
FIG. 5 is a bottom plan view of the lighting fixture.
The broken lines shown are for illustrative purposes only and forms no part of the claimed design.

1 Claim, 4 Drawing Sheets



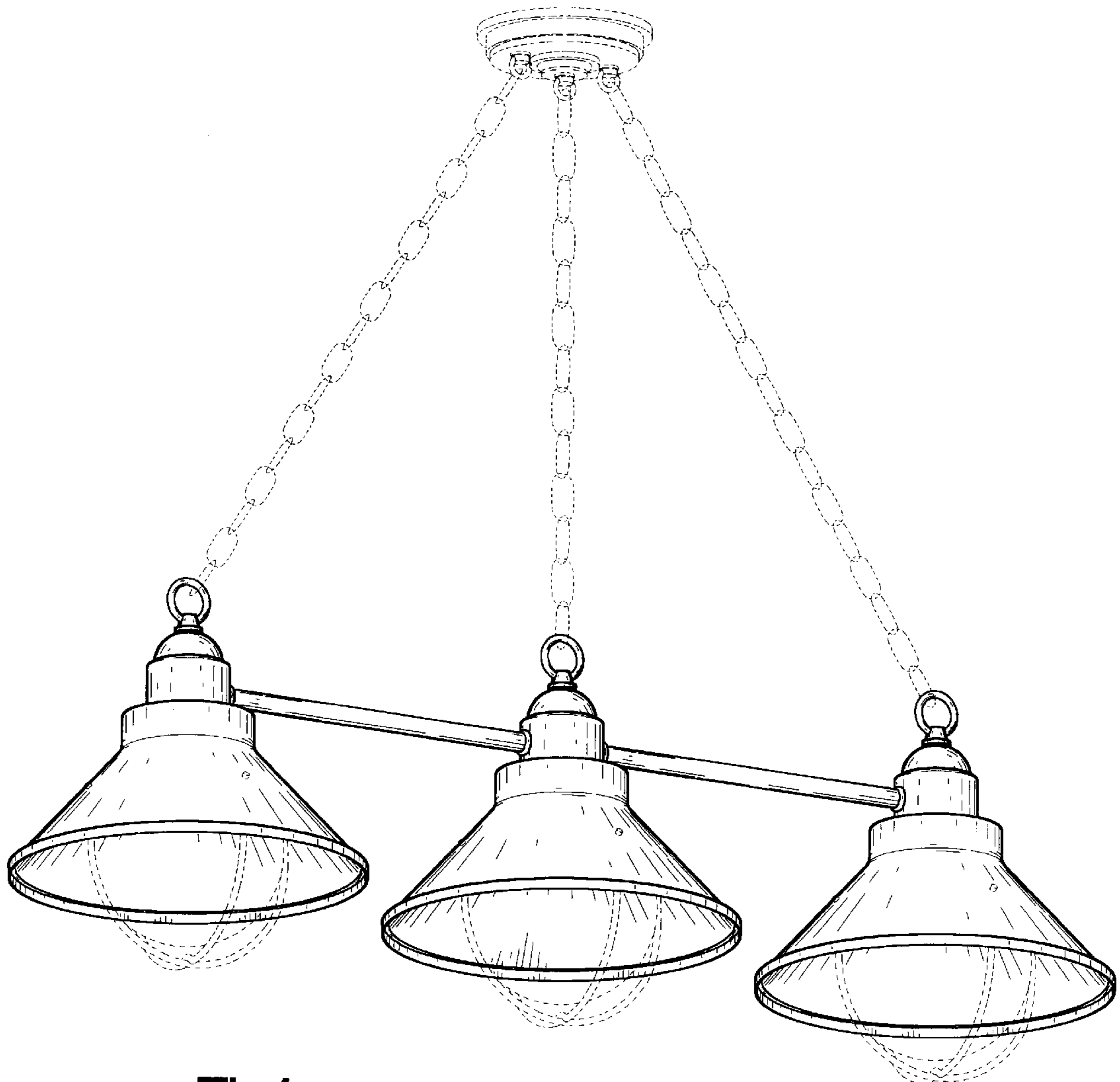


Fig.1

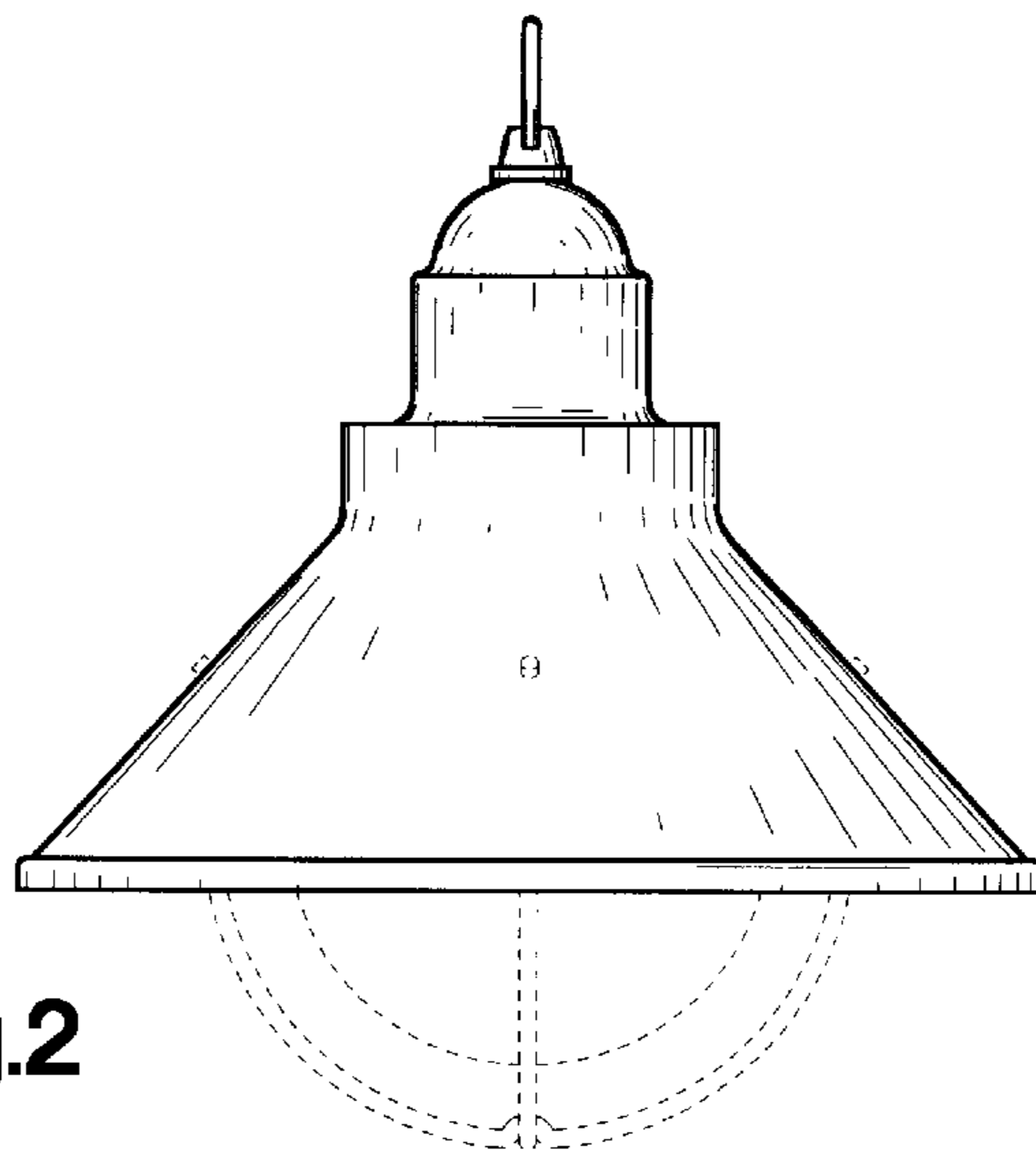


Fig.2

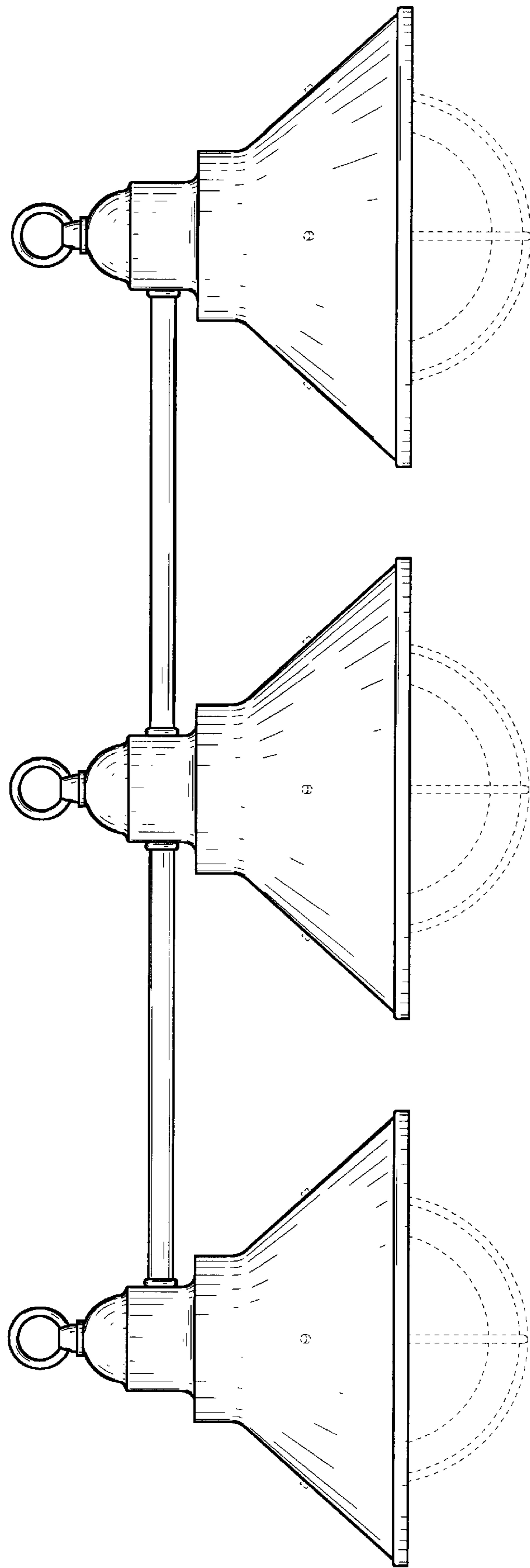


Fig.3

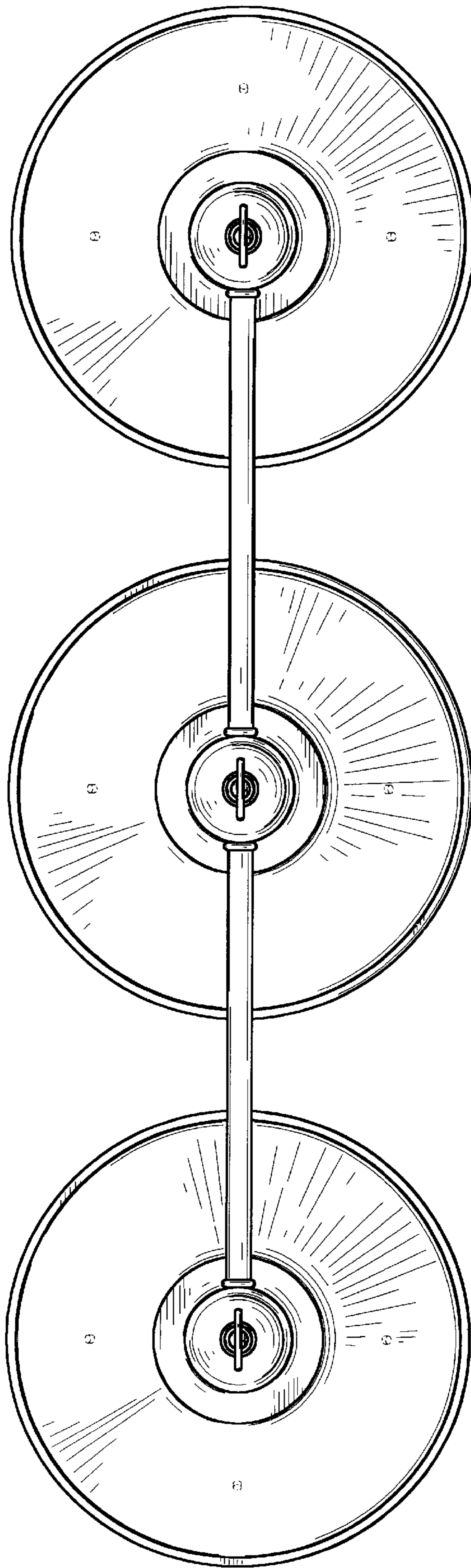


Fig.4

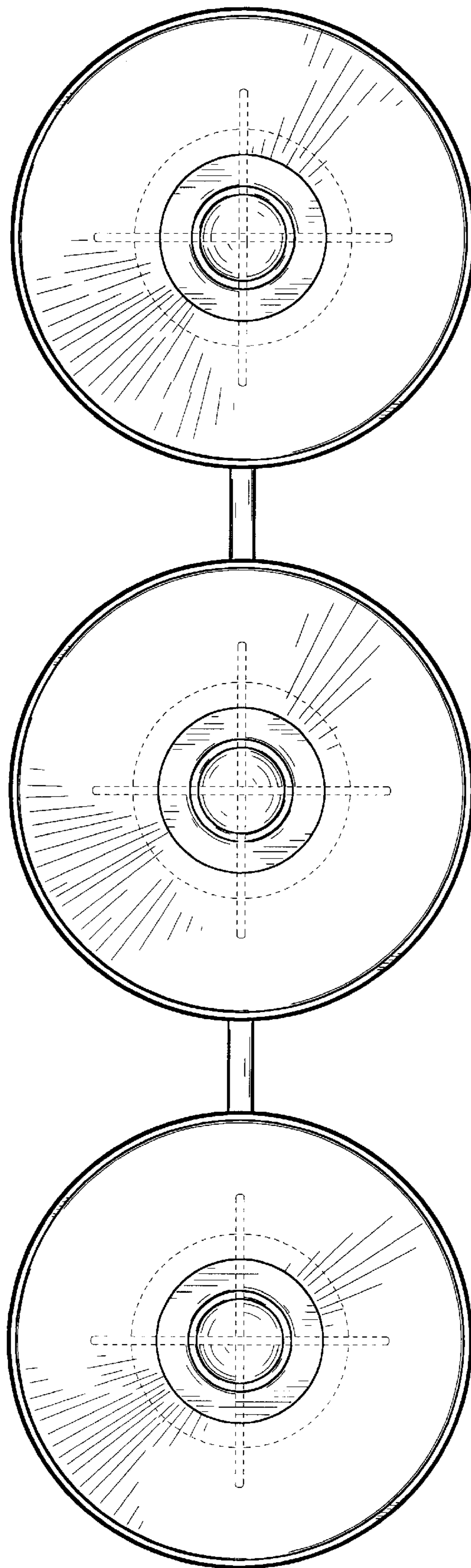


Fig.5