



US00D425234S

United States Patent [19] Marier

[11] **Patent Number: Des. 425,234**

[45] **Date of Patent: ** *May 16, 2000**

[54] **CAR INTERIOR LIGHT**

5,436,815 7/1995 Grooms et al. 362/396 X
5,491,621 2/1996 Duty 362/396 X

[76] Inventor: **Denis Marier**, #18-1275 Maple
Crossing Blvd., Burlington, ON L7S
2E7, Canada

FOREIGN PATENT DOCUMENTS

592740 2/1960 Canada 362/396

[*] Notice: This patent is subject to a terminal disclaimer.

Primary Examiner—Susan J. Lucas
Attorney, Agent, or Firm—Harold H. Dutton, Jr.

[**] Term: **14 Years**

[57] CLAIM

[21] Appl. No.: **29/046,578**

The ornamental design for a car interior light, as shown and described.

[22] Filed: **Oct. 6, 1995**

DESCRIPTION

[51] **LOC (7) Cl.** **26-05**

FIG. 1 is an exploded perspective view of a car interior light showing my new design;

[52] **U.S. Cl.** **D26/78; D26/60**

FIG. 2 is a right side view thereof;

[58] **Field of Search** D26/75-78, 60,

FIG. 3 is a left side view thereof;

D26/28; 362/396, 397, 398, 74, 216, 217,
224, 225, 220, 258

FIG. 4 is a top view thereof;

FIG. 5 is a bottom view thereof;

FIG. 6 is a front view thereof; and,

FIG. 7 is a rear view thereof.

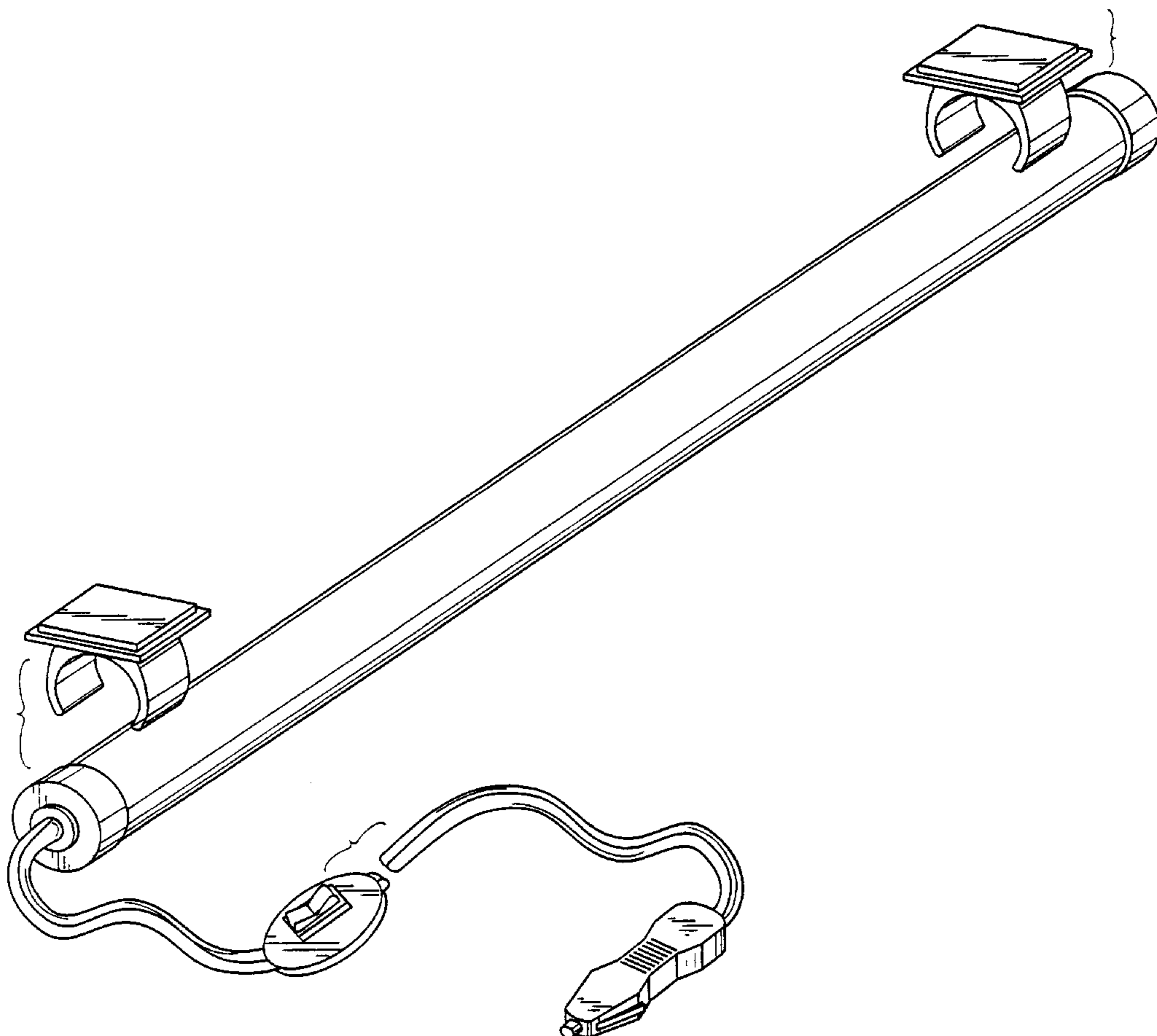
[56] References Cited

U.S. PATENT DOCUMENTS

2,775,688 12/1956 Golden 362/74
2,905,925 9/1959 Whitneck 362/397 X
4,858,082 8/1989 Hayward 362/74
5,361,195 11/1994 Chen 362/397

The electric cord is broken away in FIG. 1 and fragmentarily shown in FIGS. 2-5 and FIG. 7 for convenience of illustration.

1 Claim, 4 Drawing Sheets



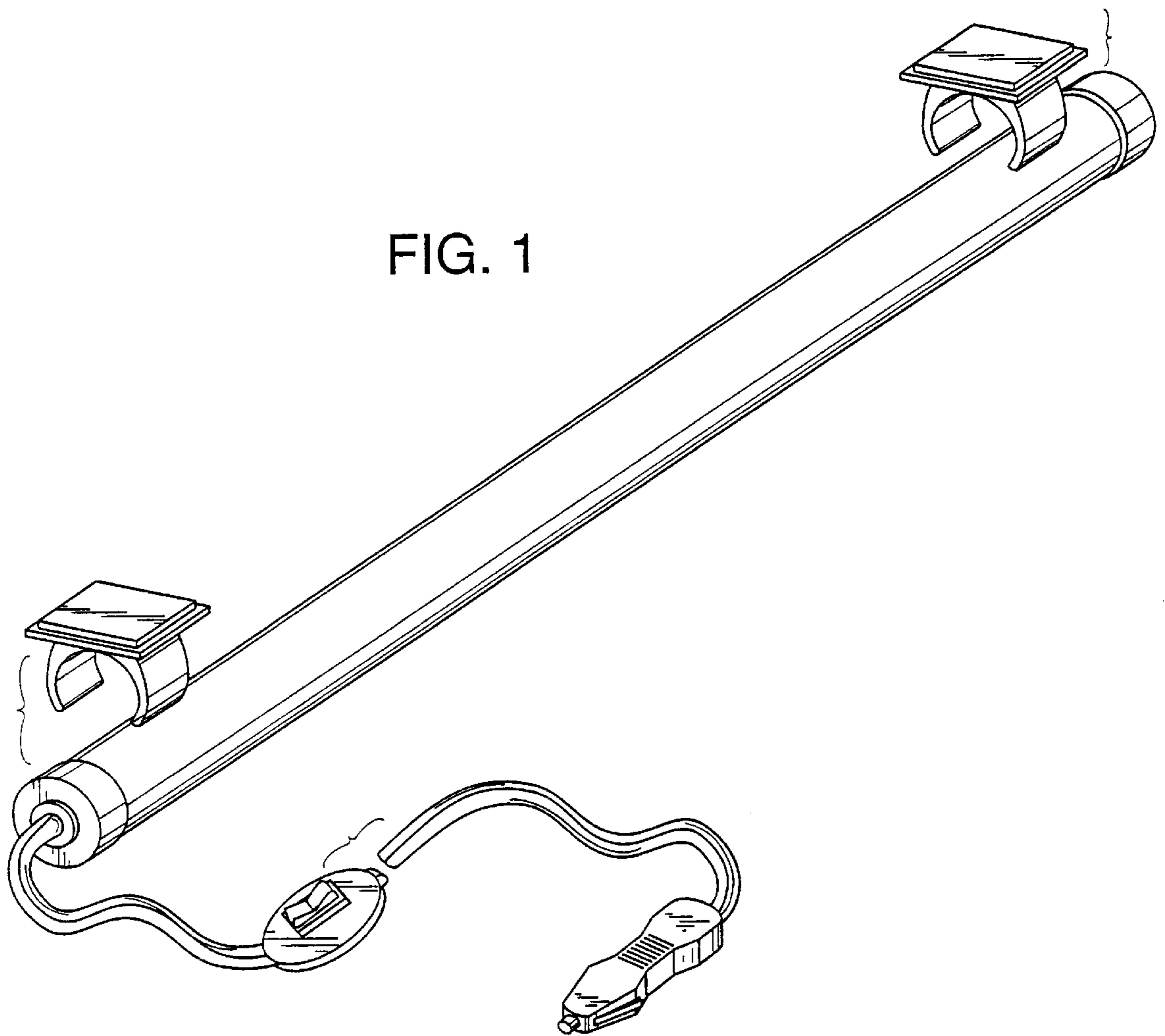


FIG. 1

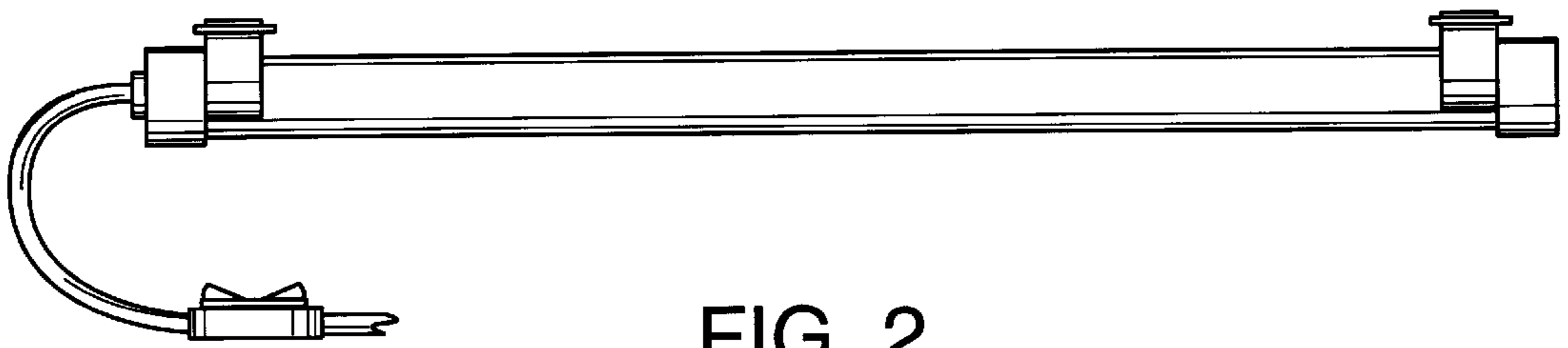


FIG. 2

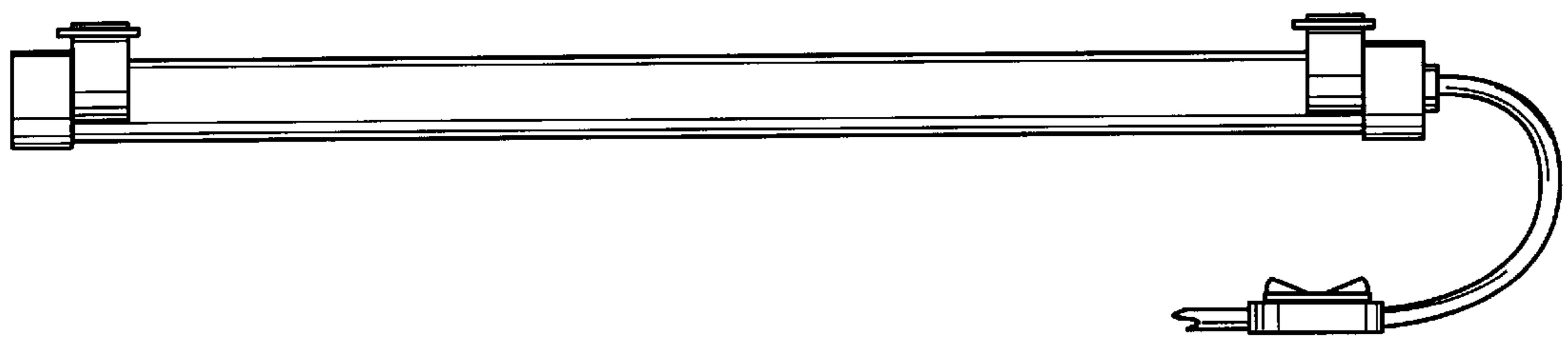


FIG. 3

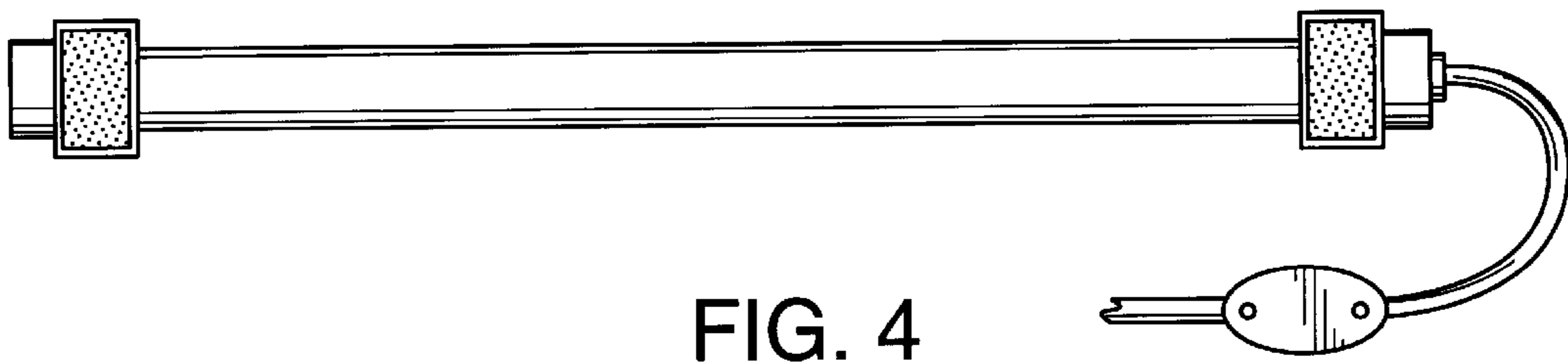
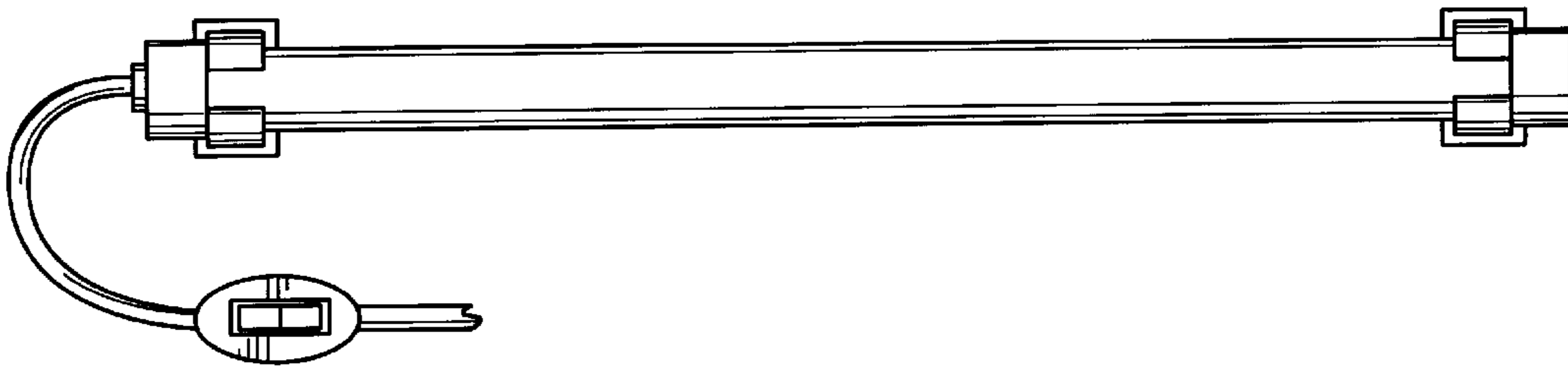


FIG. 5



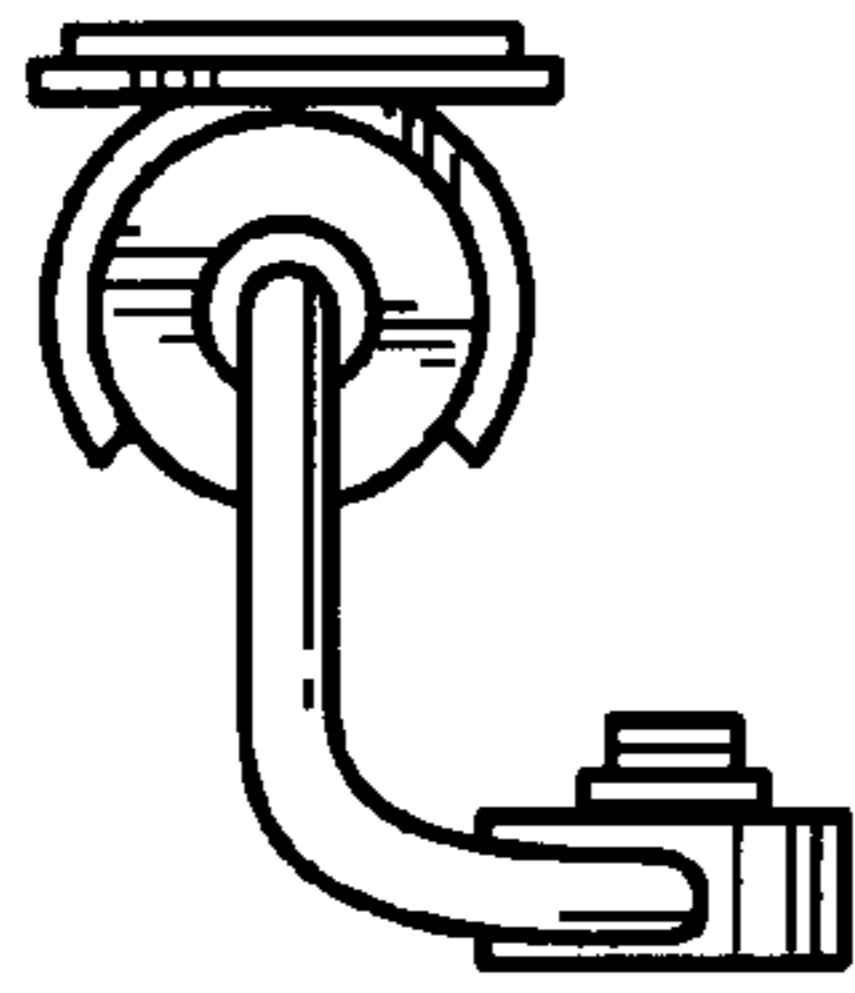


FIG. 6

FIG. 7

