



US00D425232S

# United States Patent [19] Chang

[11] **Patent Number: Des. 425,232**

[45] **Date of Patent: \*\* May 16, 2000**

[54] **STAGE LAMP**

[76] Inventor: **Ming Cheng Chang**, No. 10, Alley 48,  
Lane 5, Sheng Li Street, Yung Kang,  
Tainan Hsien, Taiwan

[\*\*] Term: **14 Years**

[21] Appl. No.: **29/099,656**

[22] Filed: **Jan. 25, 1999**

[51] **LOC (7) Cl.** ..... **26-05**

[52] **U.S. Cl.** ..... **D26/63**

[58] **Field of Search** ..... D26/60-66; 362/269,  
362/277, 287, 418, 419, 427

[56] **References Cited**

**U.S. PATENT DOCUMENTS**

- D. 271,093 10/1983 Parker ..... D26/63
- D. 385,373 10/1997 Wong ..... D26/63

*Primary Examiner*—Susan J. Lucas  
*Attorney, Agent, or Firm*—Alan Kamrath; Oppenheimer,  
Wolff & Donnelly LLP

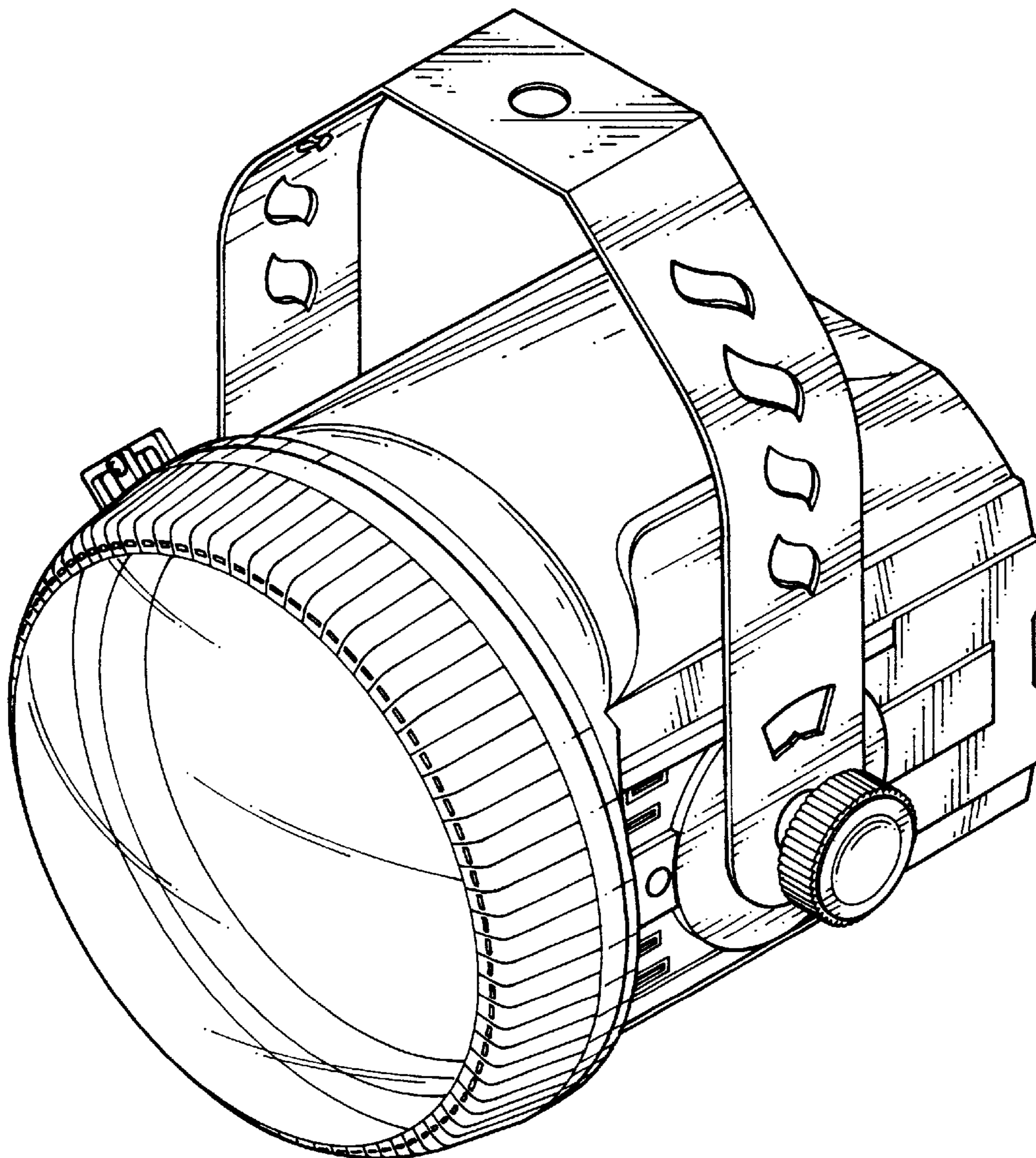
[57] **CLAIM**

The ornamental design for a stage lamp, as shown and described.

**DESCRIPTION**

FIG. 1 is a perspective view of a stage lamp showing may design;  
FIG. 2 is a front elevational view thereof;  
FIG. 3 is rear elevational view thereof;  
FIG. 4 is a left elevational view thereof;  
FIG. 5 is a right elevational view thereof;  
FIG. 6 is a top plan view thereof; and,  
FIG. 7 is a bottom plan view thereof.

**1 Claim, 7 Drawing Sheets**



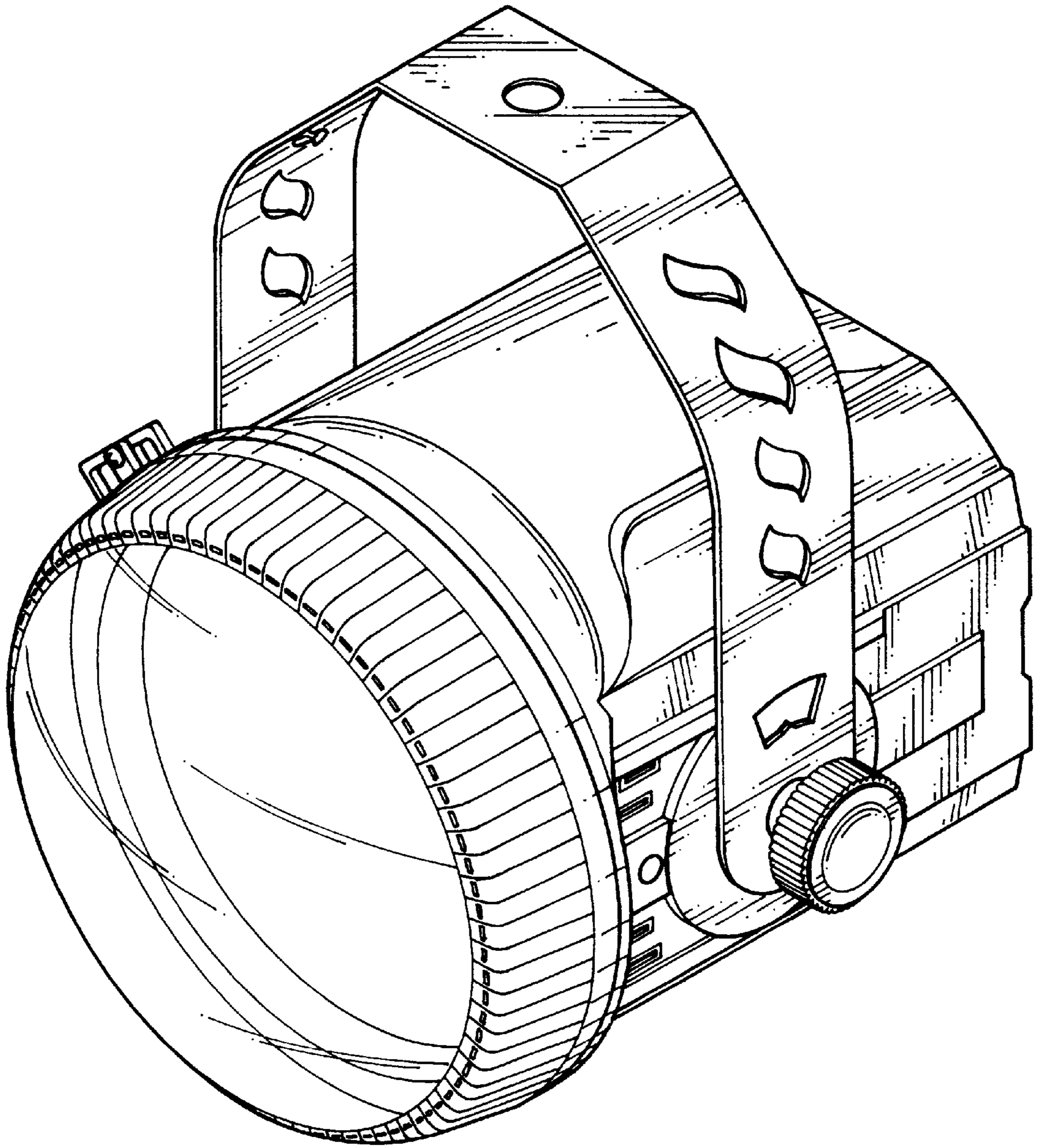


FIG.1

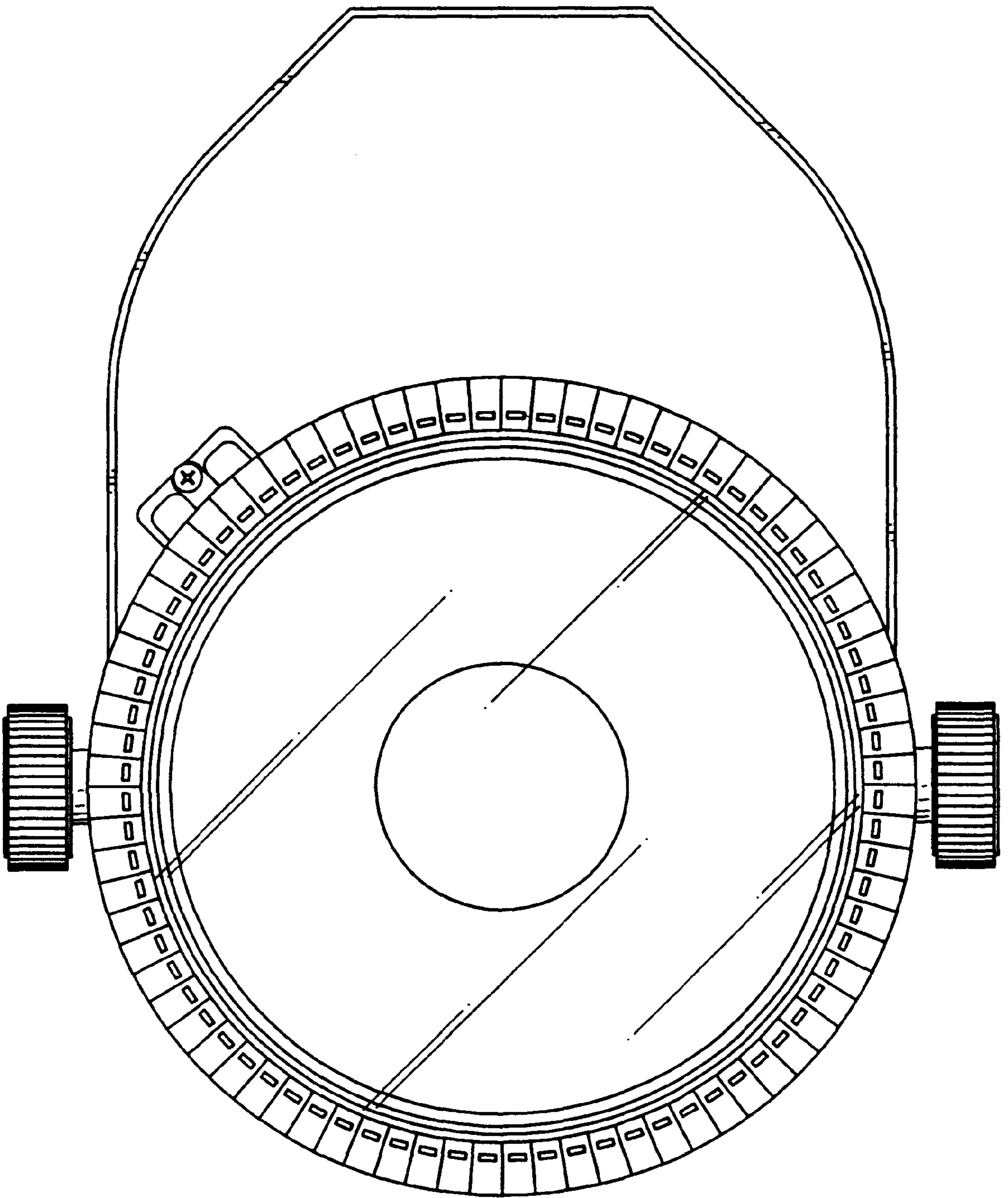


FIG.2

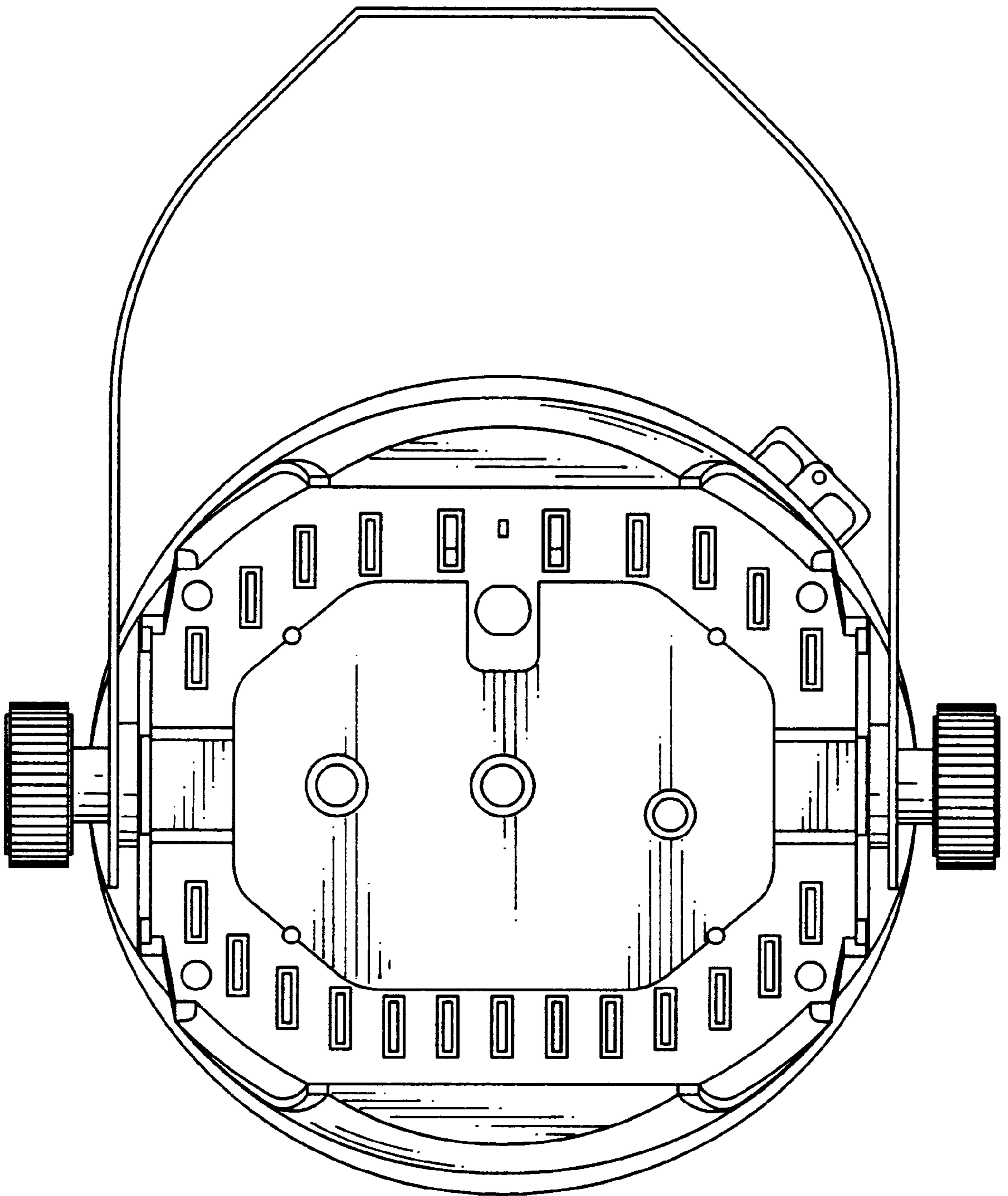


FIG.3

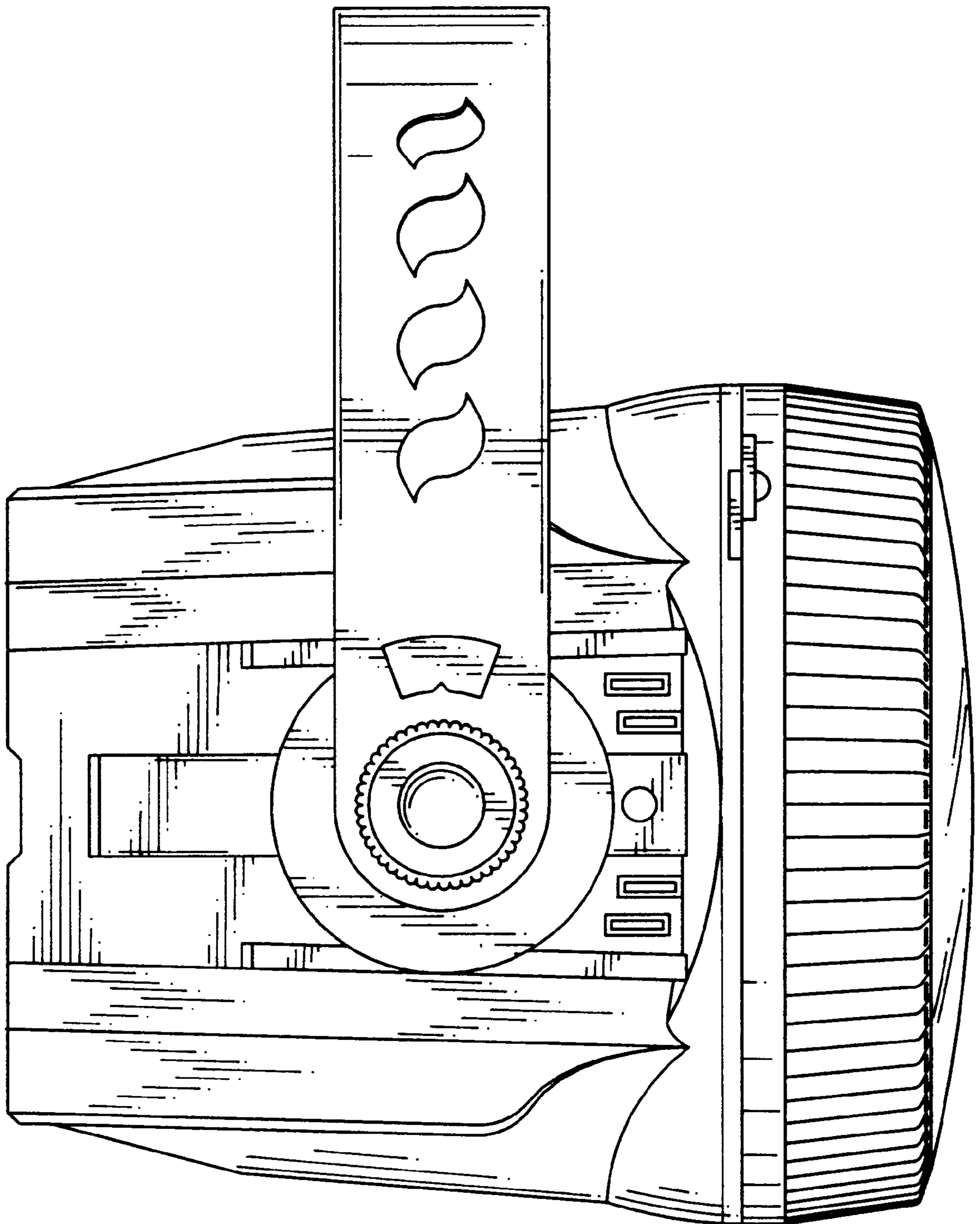


FIG.4

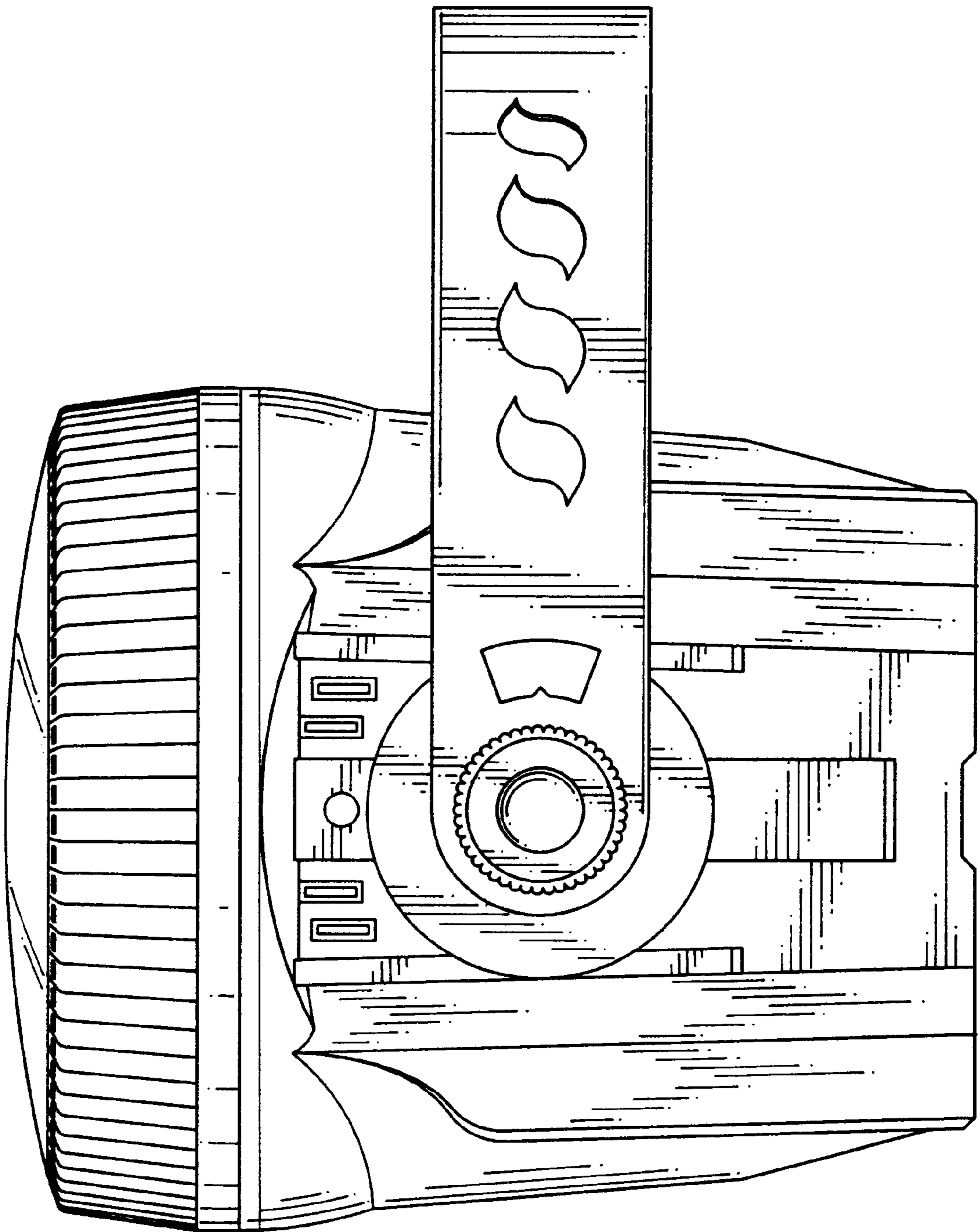


FIG.5

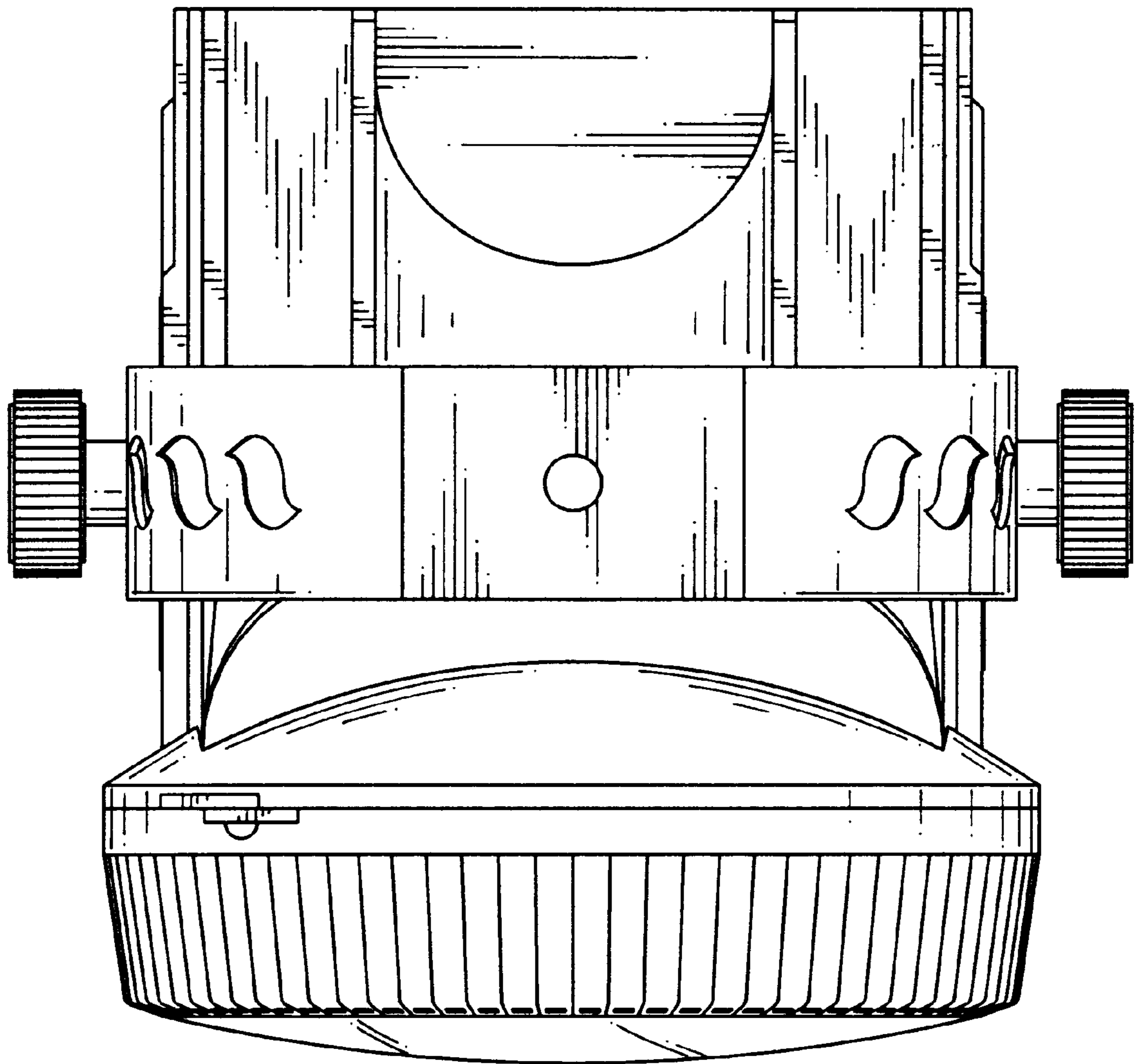


FIG.6

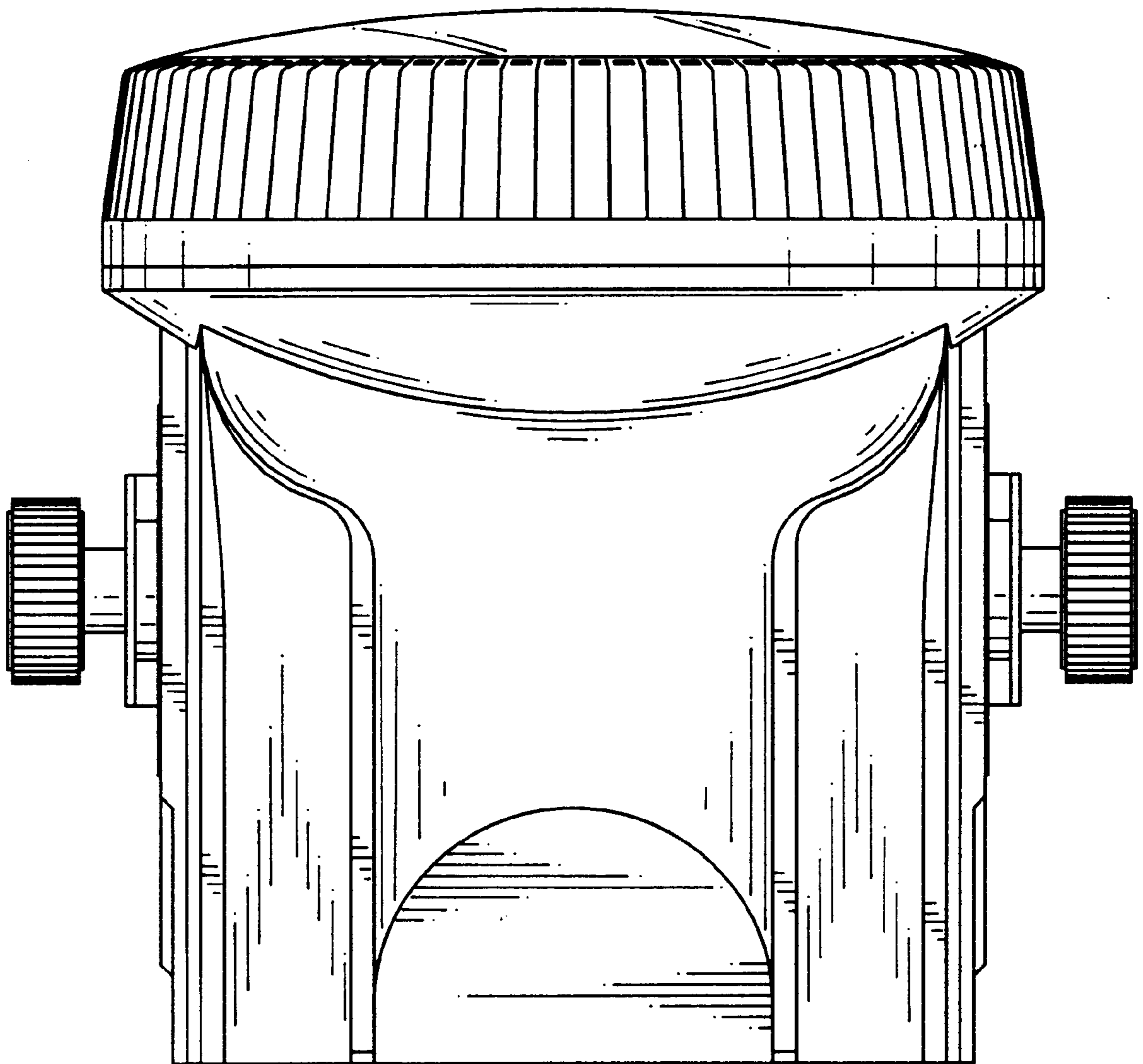


FIG.7