



US00D425231S

United States Patent [19]

[11] Patent Number: **Des. 425,231**

Lynch et al.

[45] Date of Patent: **** May 16, 2000**

[54] FLASHLIGHT

[75] Inventors: **Peter F. Lynch; Scott W. Osiecki; Gregg W. Harvey**, all of Skaneateles, N.Y.

[73] Assignee: **Eveready Battery Company, Inc.**, St. Louis, Mo.

[**] Term: **14 Years**

[21] Appl. No.: **29/099,038**

[22] Filed: **Jan. 12, 1999**

[51] LOC (7) Cl. **26-02**

[52] U.S. Cl. **D26/49**

[58] Field of Search D26/37-50; 362/157, 362/158, 183-208

[56] References Cited

U.S. PATENT DOCUMENTS

D. 331,982	12/1992	George	D26/49
D. 356,175	3/1995	Yau	D26/49
D. 363,564	10/1995	Kish et al.	D26/49
D. 374,495	10/1996	Garrity	D26/49

Primary Examiner—Marcus A. Jackson
Attorney, Agent, or Firm—Robert W. Welsh

[57] CLAIM

We claim the ornamental design for a flashlight, as shown and described.

DESCRIPTION

FIG. 1 is a top view of a flashlight showing the first

embodiment of the new design;

FIG. 2 is a side view of the first embodiment of the flashlight;

The opposite side is a mirror image of FIG. 2;

FIG. 3 is a bottom view of the first embodiment of the flashlight;

FIG. 4 is a front end view of the first embodiment of the flashlight;

FIG. 5 is a rear end view of the first embodiment of the flashlight;

FIG. 6 is a top view of a flashlight showing the second embodiment of the new design;

FIG. 7 is a side view of the second embodiment of the flashlight;

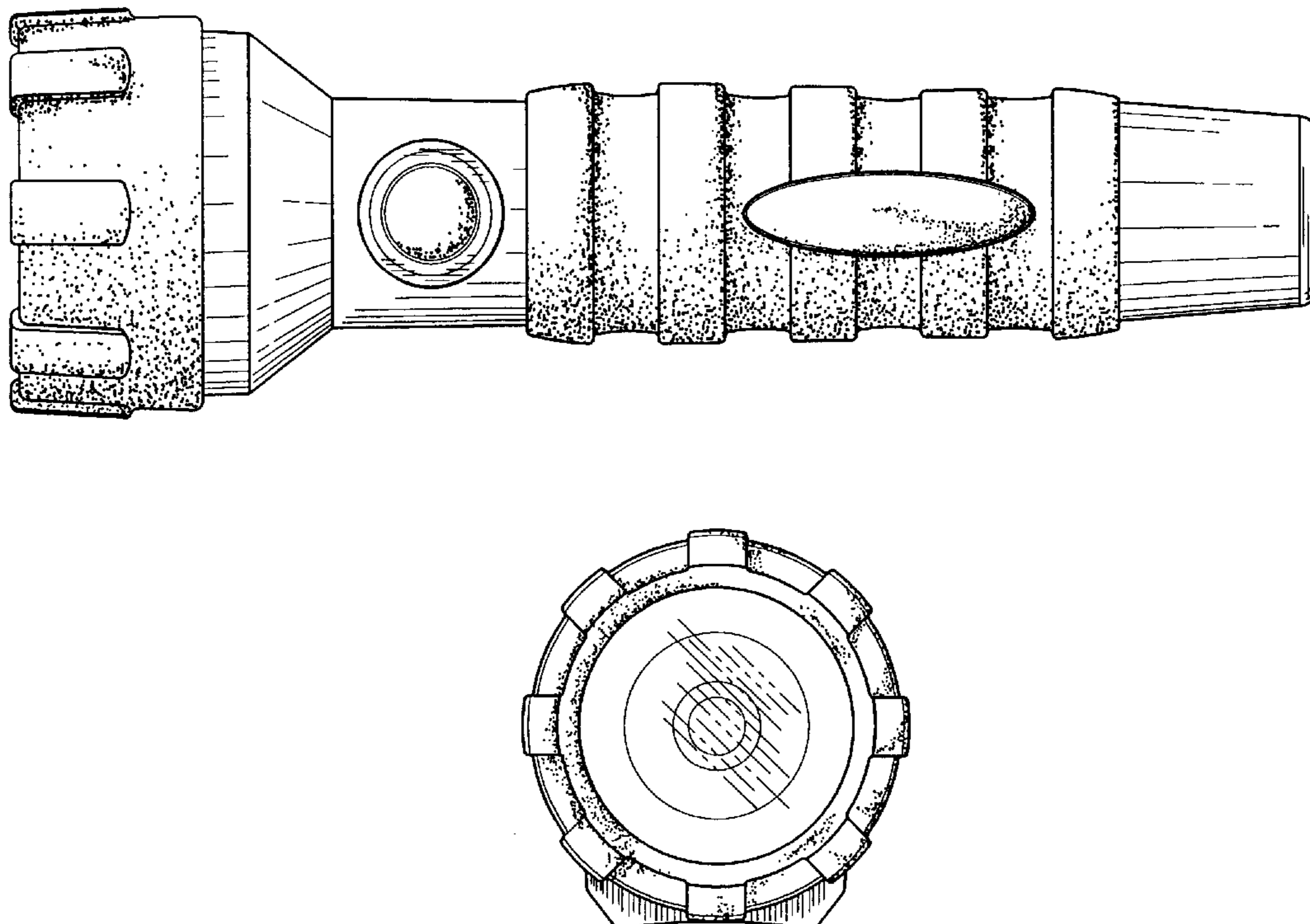
The opposite side is a mirror image of FIG. 7;

FIG. 8 is a bottom view of the second embodiment of the flashlight;

FIG. 9 is a front end view of the second embodiment of the flashlight; and,

FIG. 10 is a rear end view of the second embodiment of the flashlight.

1 Claim, 4 Drawing Sheets



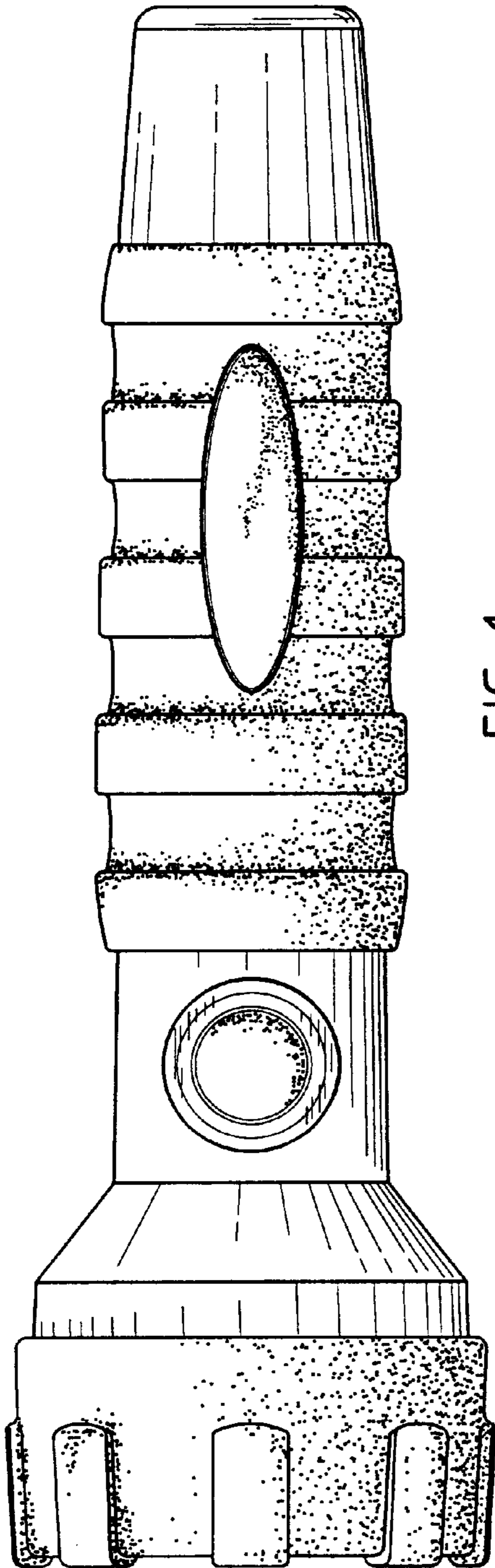


FIG. 1

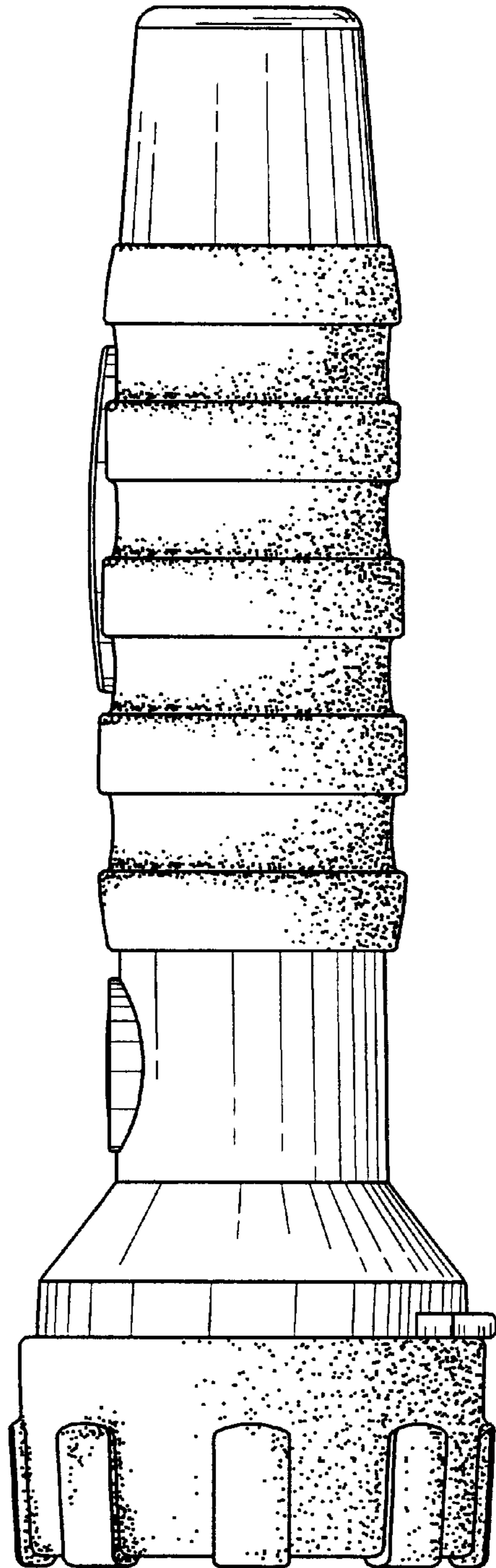


FIG. 2

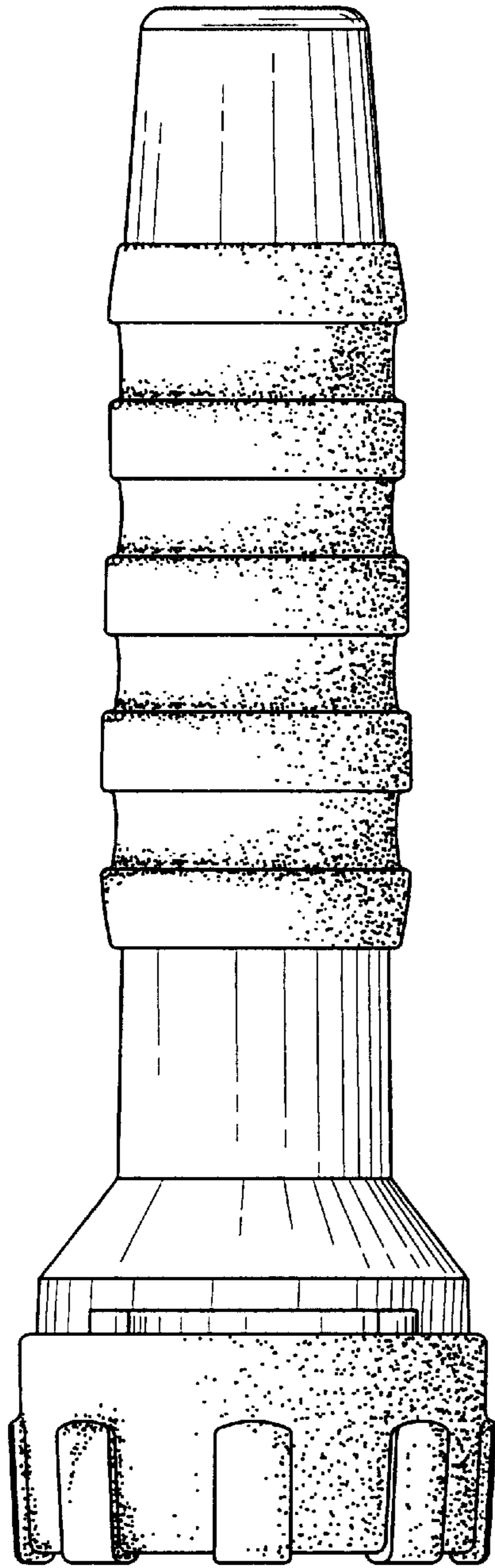


FIG. 3

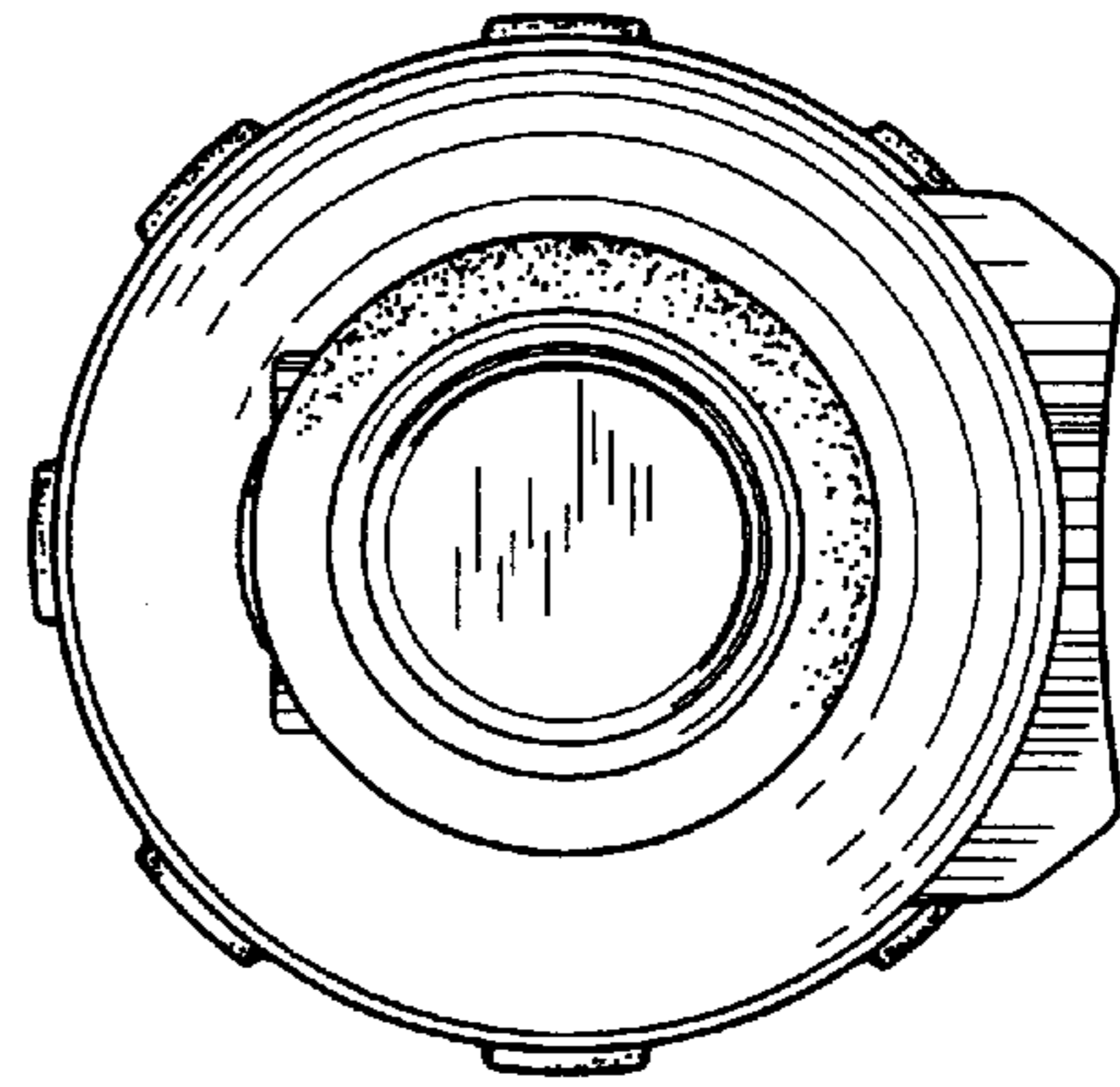


FIG. 5

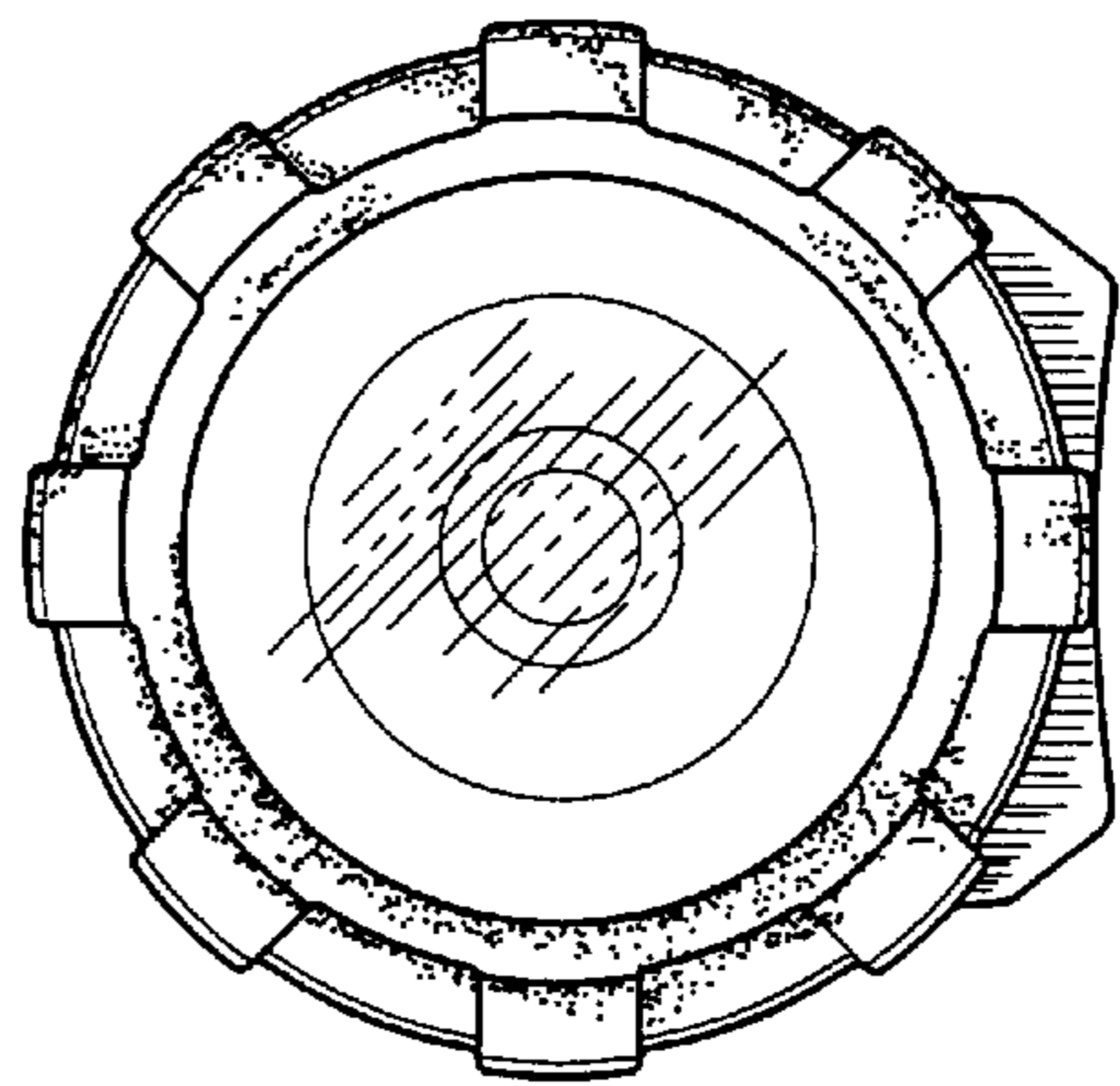


FIG. 4

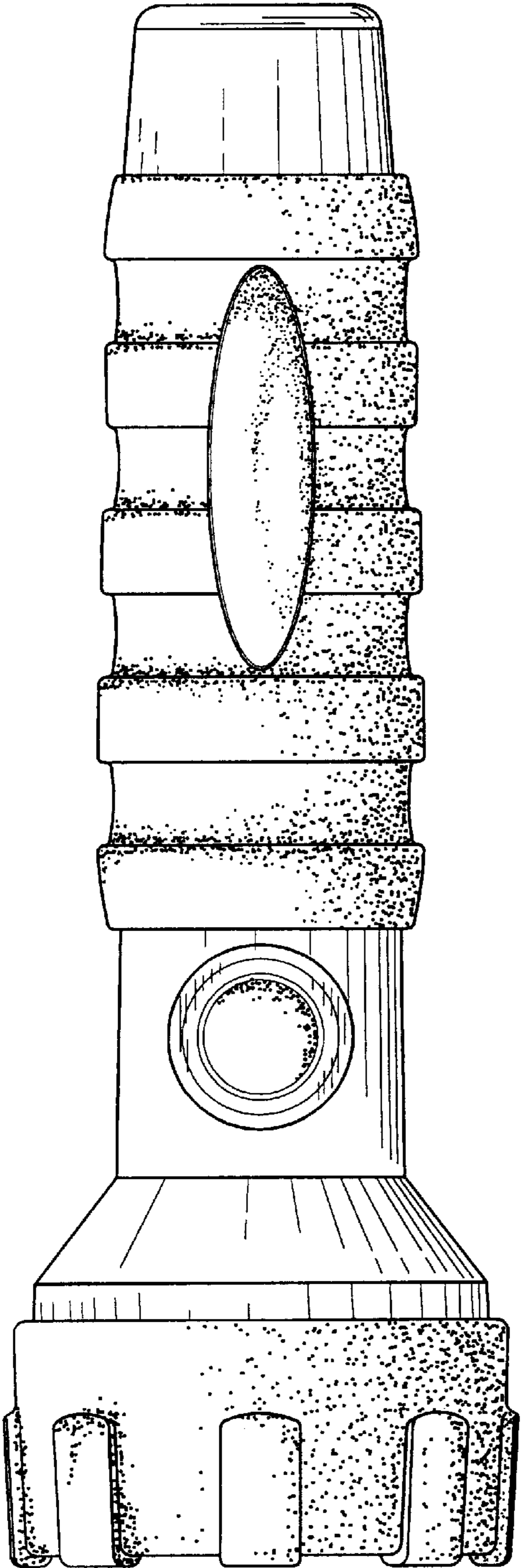


FIG. 6

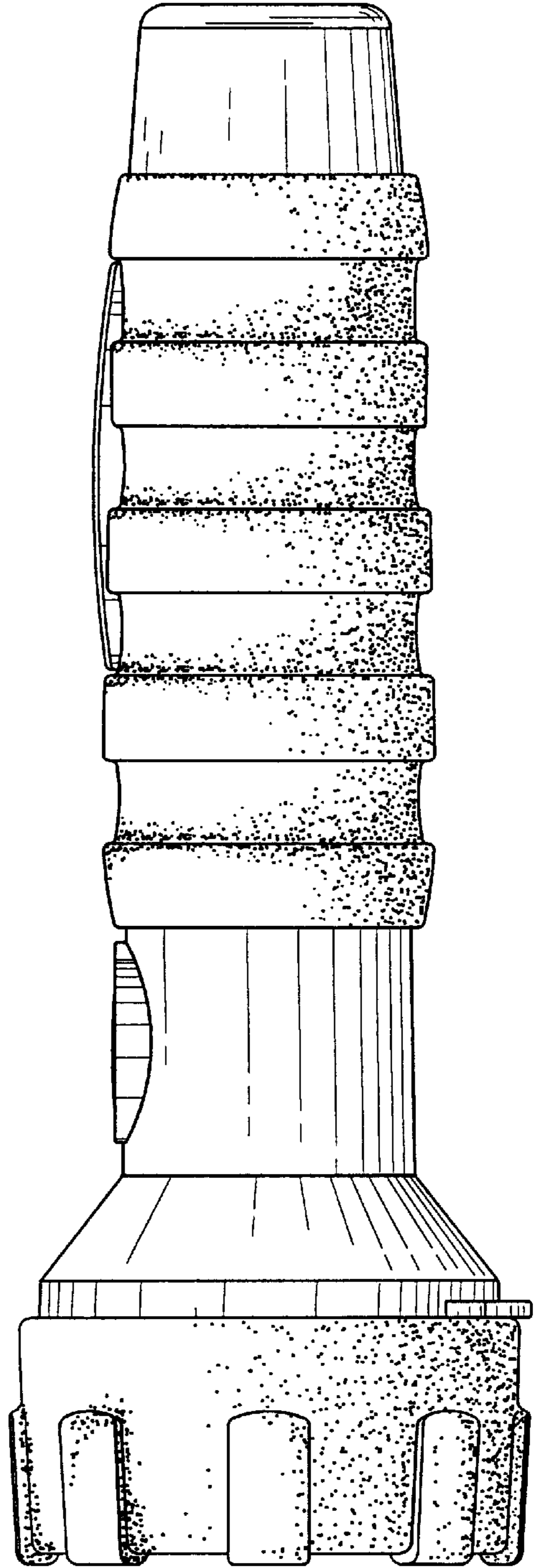


FIG. 7

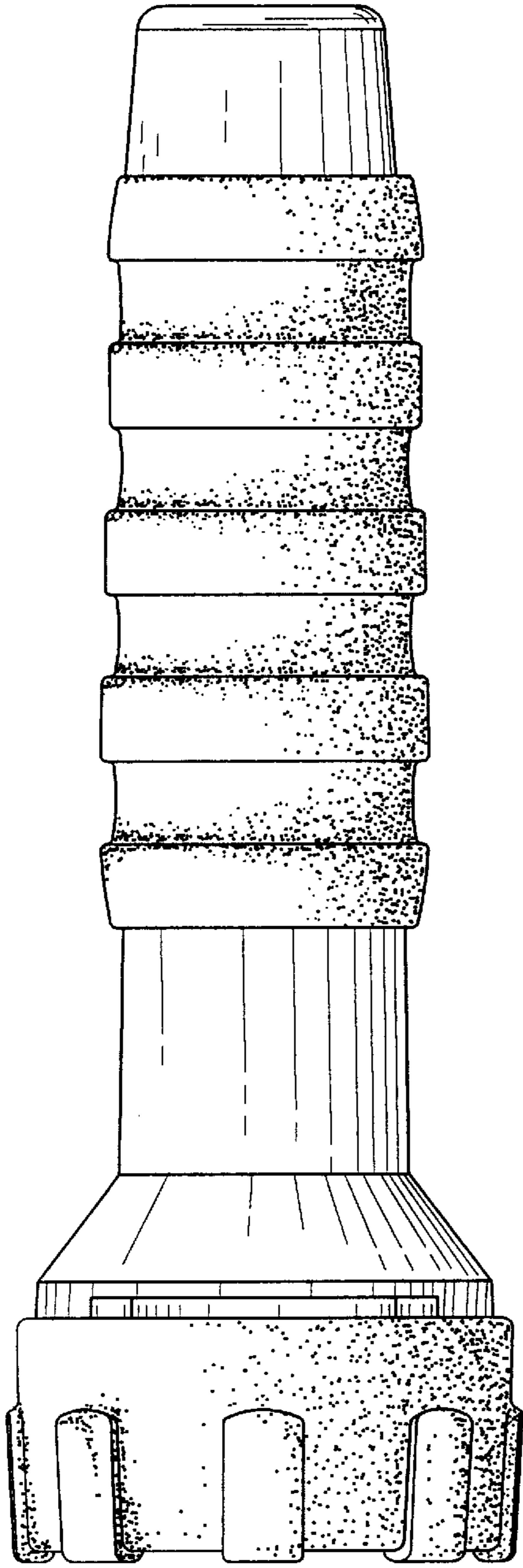


FIG. 8

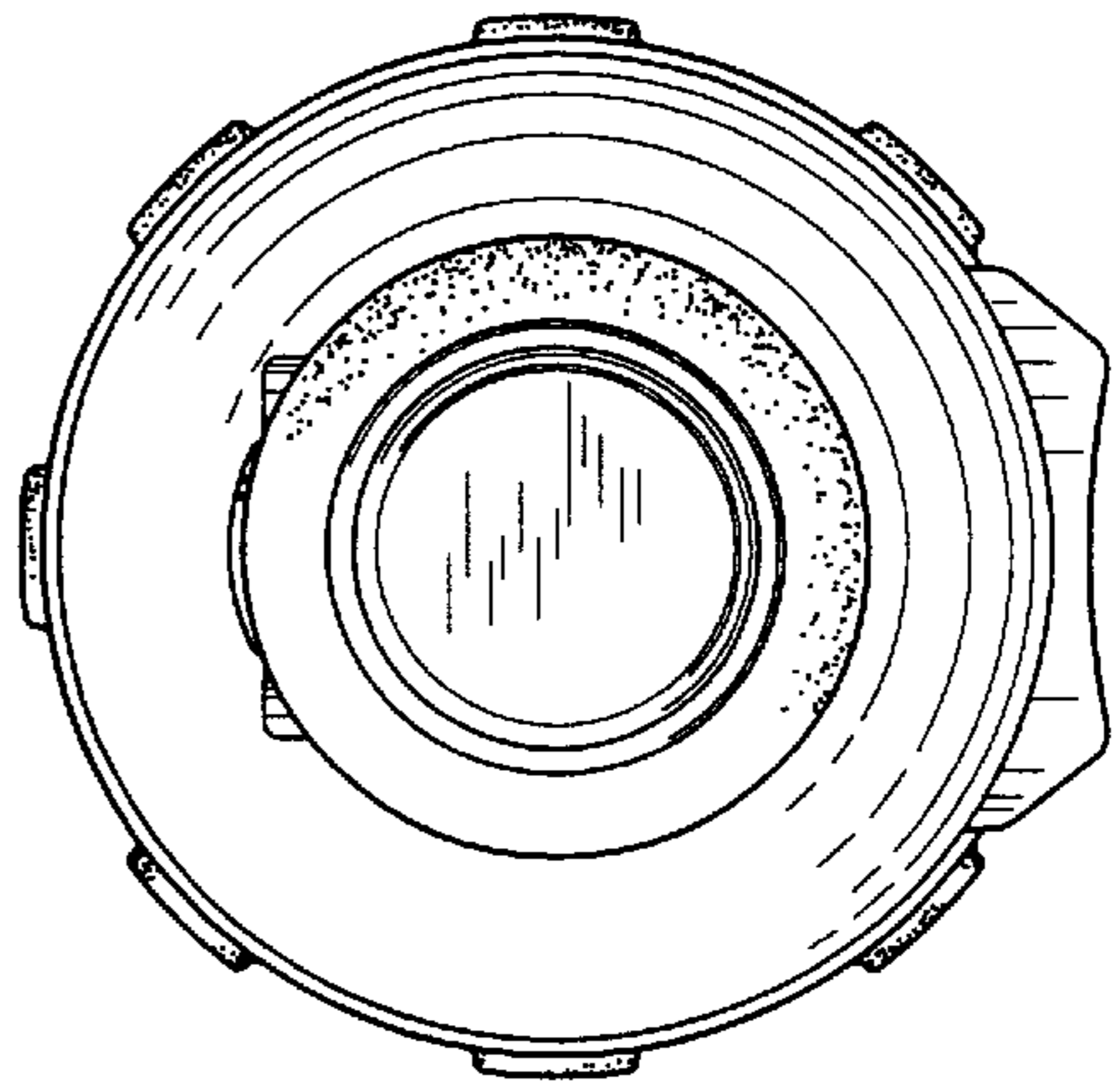


FIG. 10

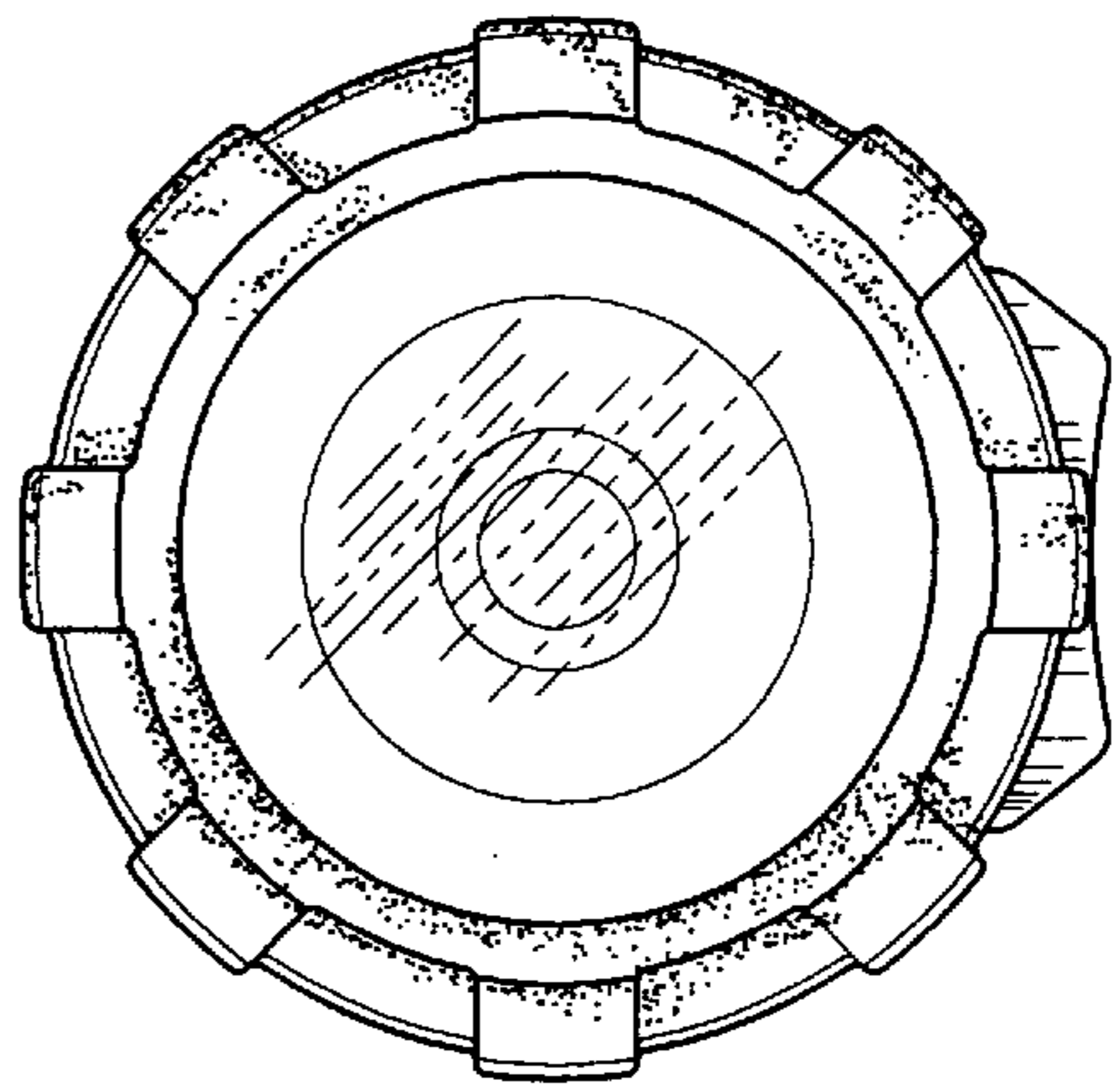


FIG. 9