



US00D425229S

United States Patent [19]
Poon

[11] **Patent Number: Des. 425,229**

[45] **Date of Patent: ** May 16, 2000**

[54] **TWIST LAMP**

[75] Inventor: **Tit Wing Poon**, Shatin, The Hong Kong Special Administrative Region of the People's Republic of China

[73] Assignee: **Flying Dragon Development Ltd.**, Shatin, The Hong Kong Special Administrative Region of the People's Republic of China

[**] Term: **14 Years**

[21] Appl. No.: **29/111,922**

[22] Filed: **Oct. 6, 1999**

[51] **LOC (7) Cl.** **26-02**

[52] **U.S. Cl.** **D26/46**

[58] **Field of Search** D26/37-50; 362/157, 362/158, 183-208

[56] **References Cited**

U.S. PATENT DOCUMENTS

- D. 373,436 9/1996 Zi et al. D26/44
- D. 414,284 9/1999 Zelina, Jr. et al. D26/38

Primary Examiner—Marcus A. Jackson
Attorney, Agent, or Firm—Alix, Yale & Ristas, LLP

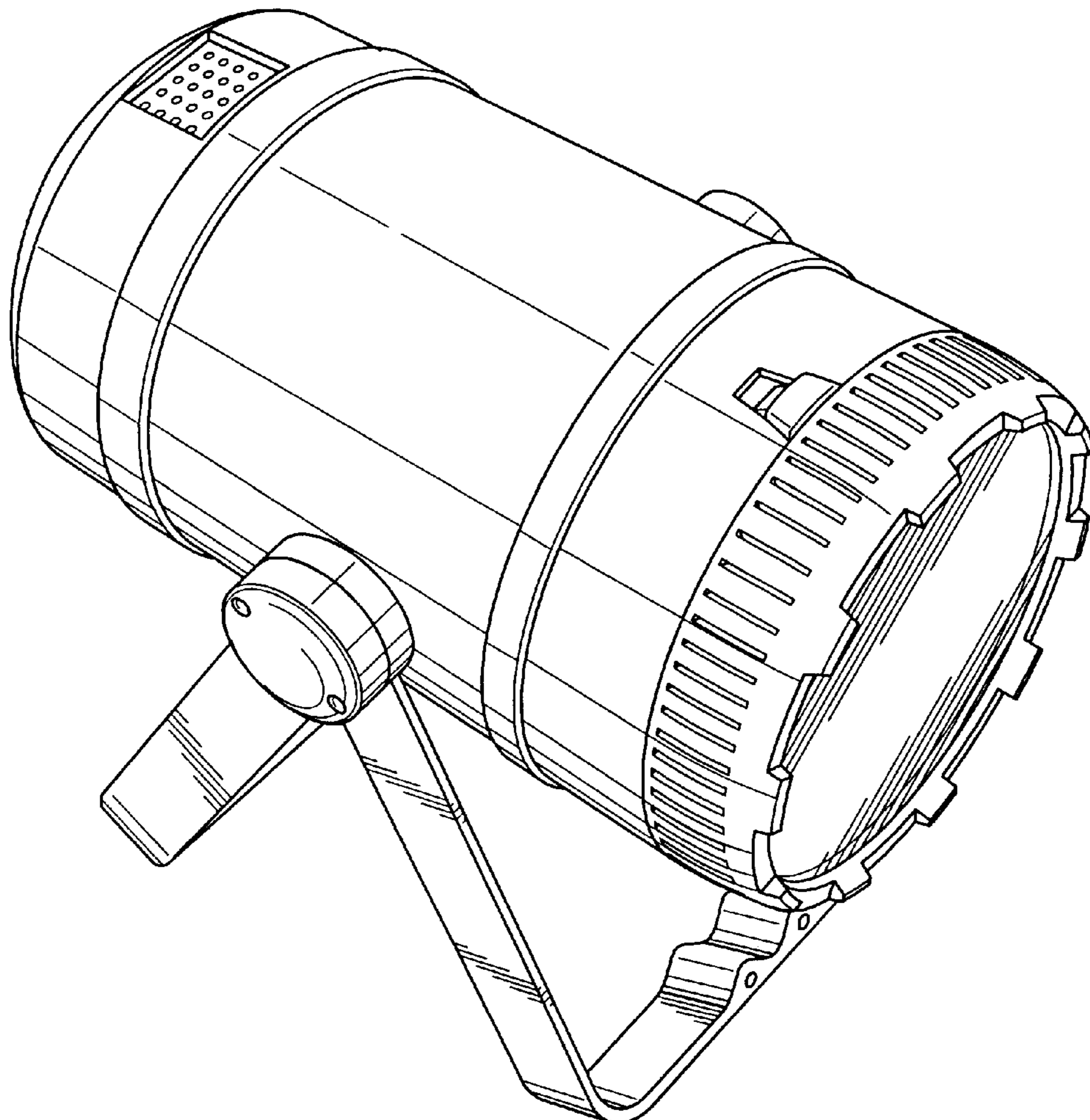
[57] **CLAIM**

The ornamental design for a twist lamp, as shown and described.

DESCRIPTION

FIG. 1 is a perspective view of the twist lamp showing my new design;
 FIG. 2 is a perspective view of the twist lamp of FIG. 1 with parts in an alternative position;
 FIG. 3 is a side elevational view of the twist lamp of FIG. 1;
 FIG. 4 is an opposite side elevational view of the twist lamp of FIG. 1;
 FIG. 5 is a top plan view of the twist lamp of FIG. 1;
 FIG. 6 is a bottom plan view of the twist lamp of FIG. 1;
 FIG. 7 is a front elevational view of the twist lamp of FIG. 1;
 FIG. 8 is a rear elevational view of the twist lamp of FIG. 1; and,
 FIG. 9 is a rear elevational view of the twist lamp of FIG. 1, with parts in an alternative position.

1 Claim, 6 Drawing Sheets



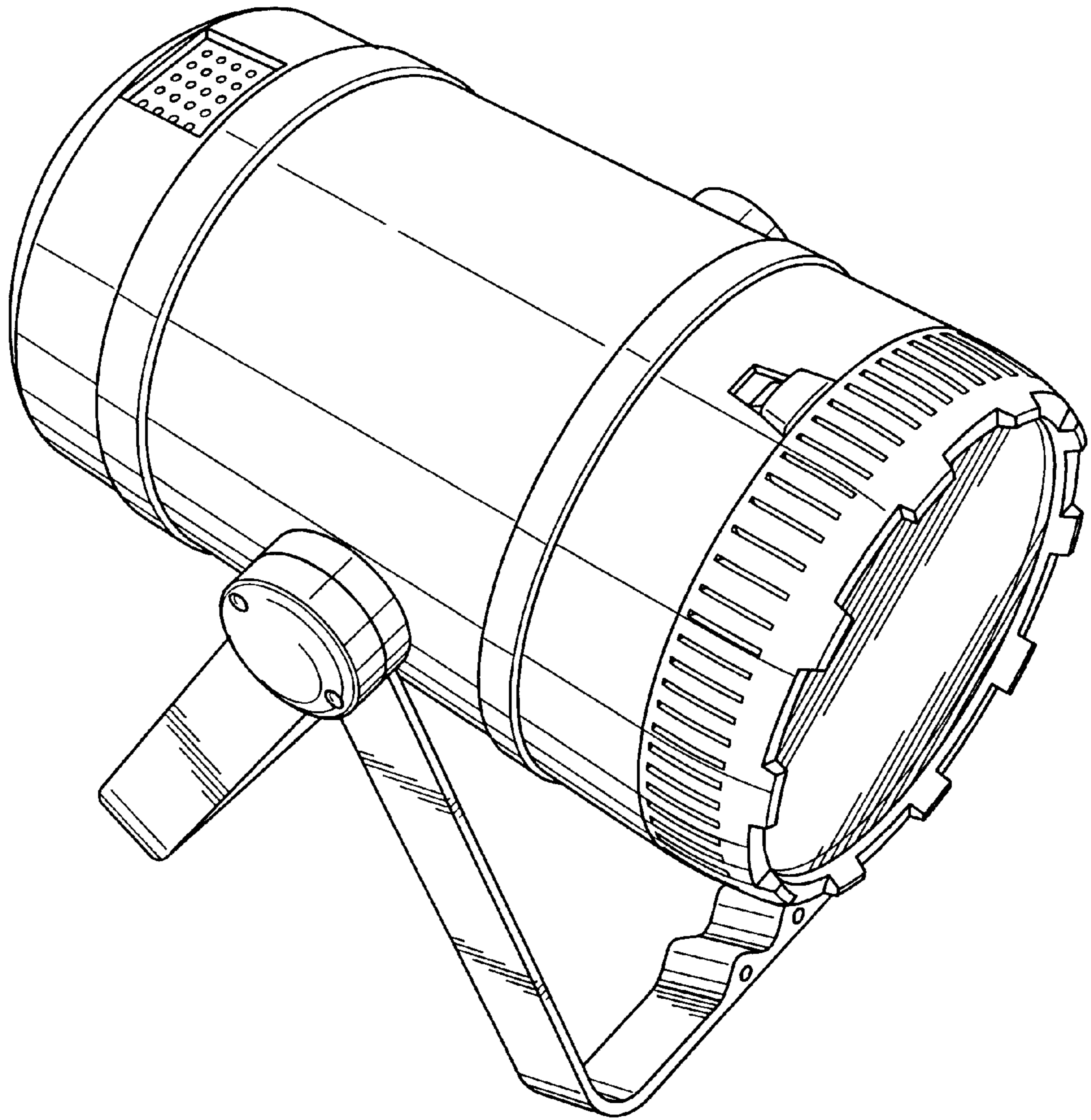


FIG. 1

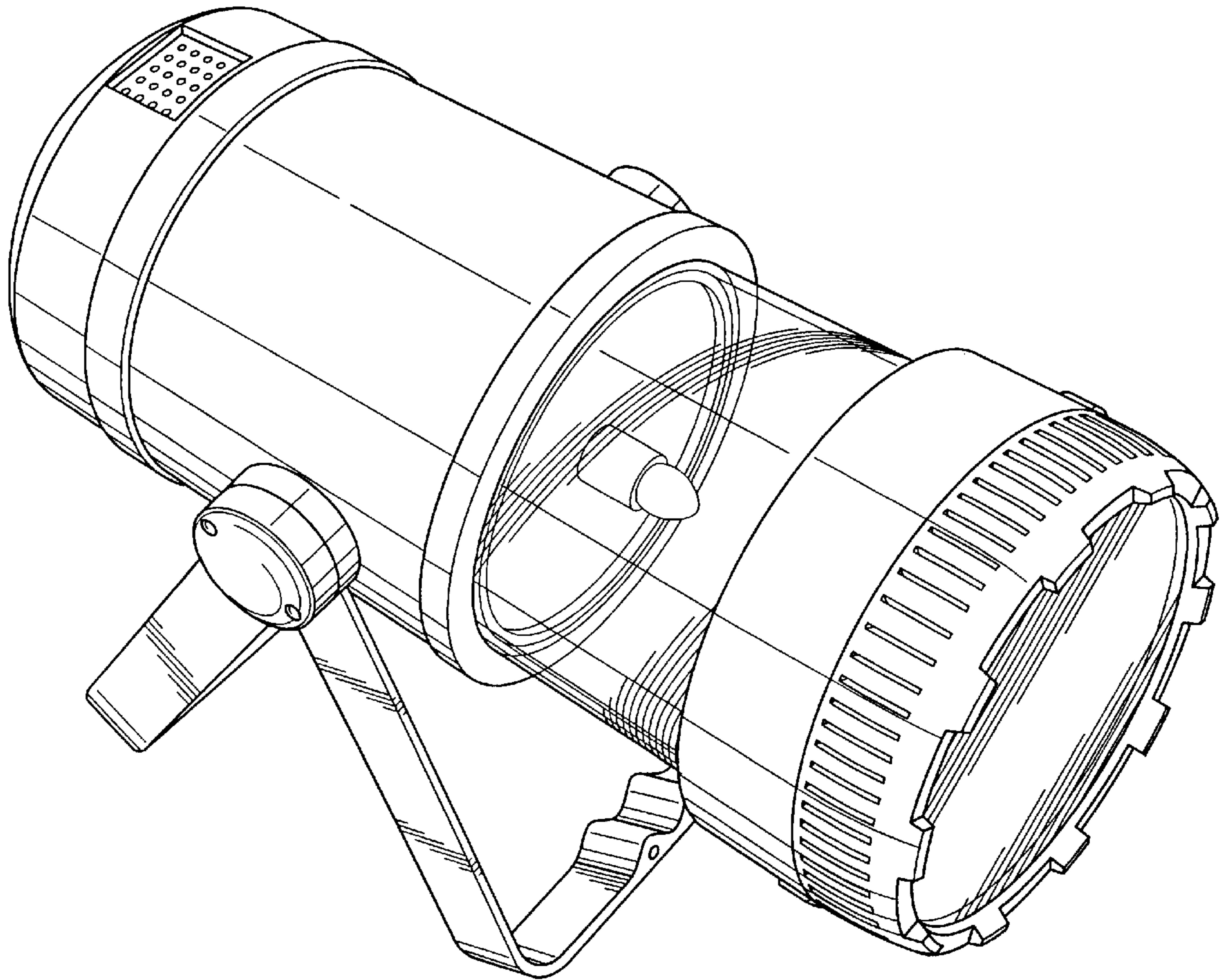


FIG. 2

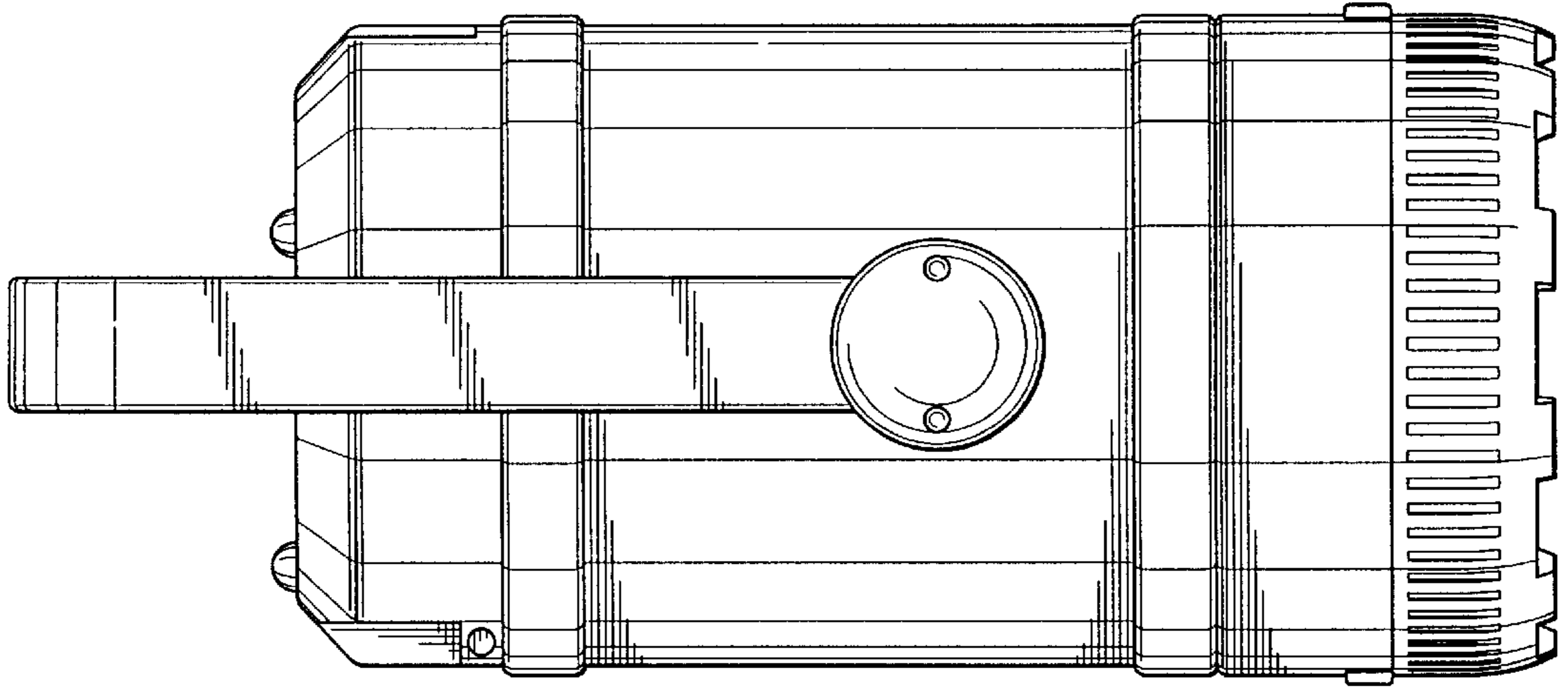


FIG. 3

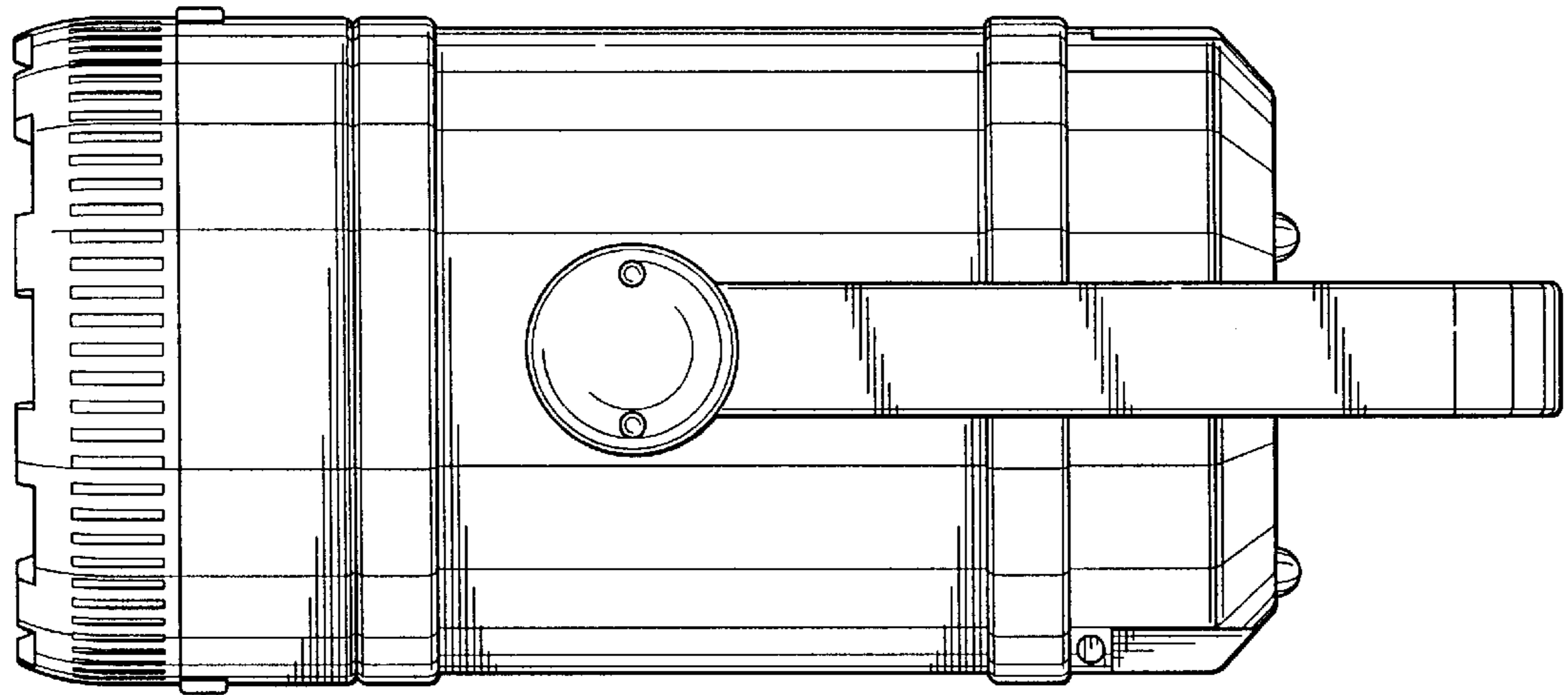


FIG. 4

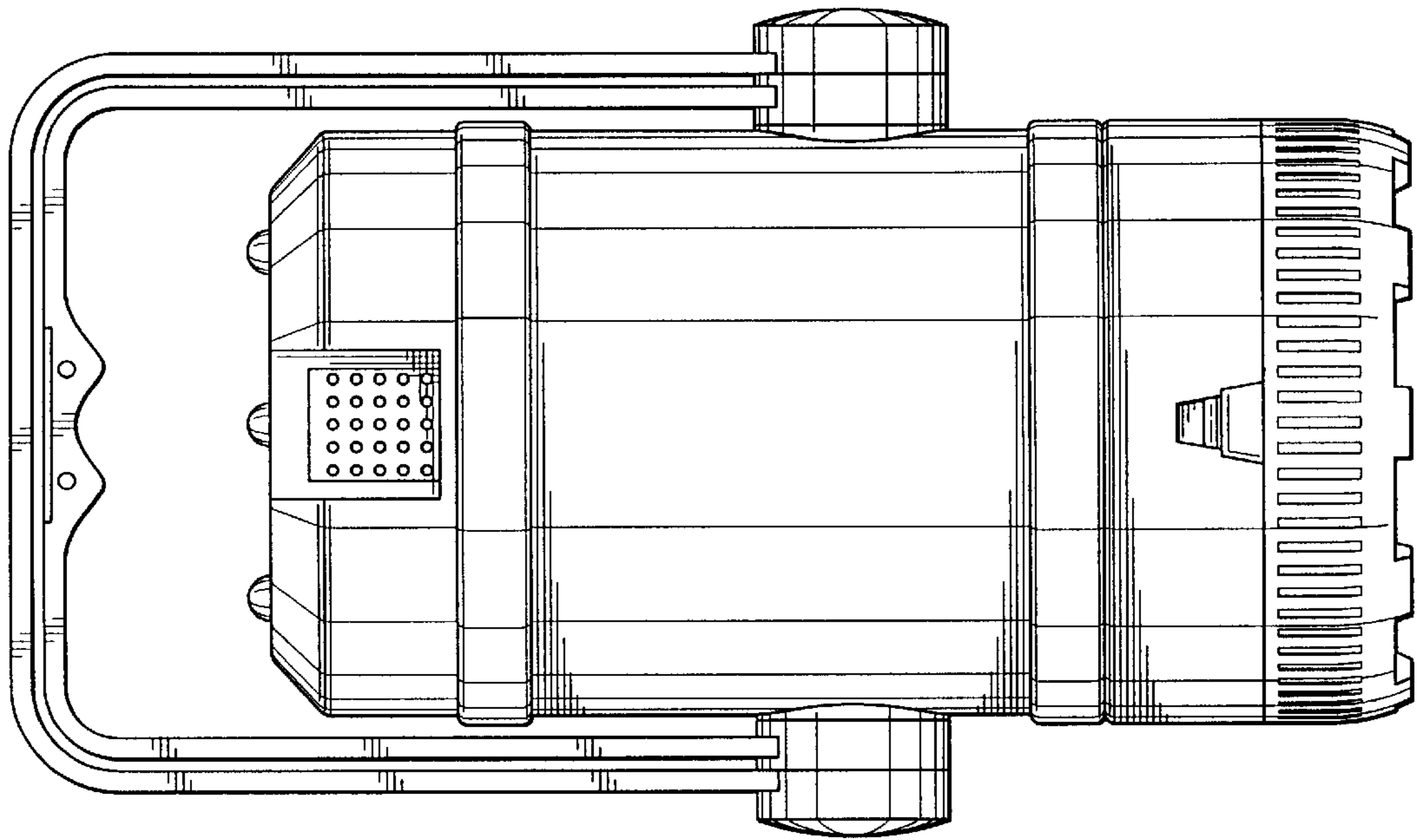


FIG. 5

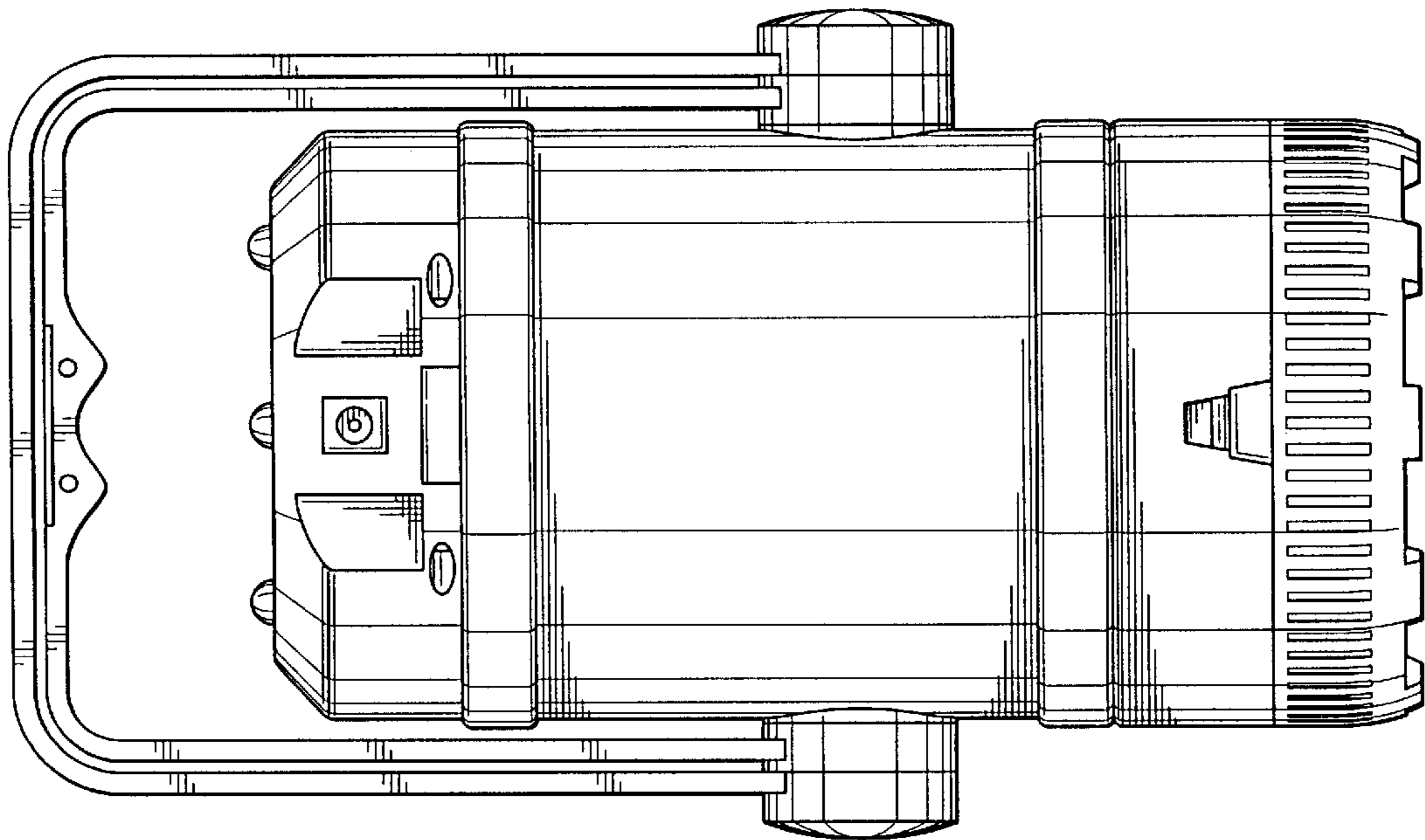


FIG. 6

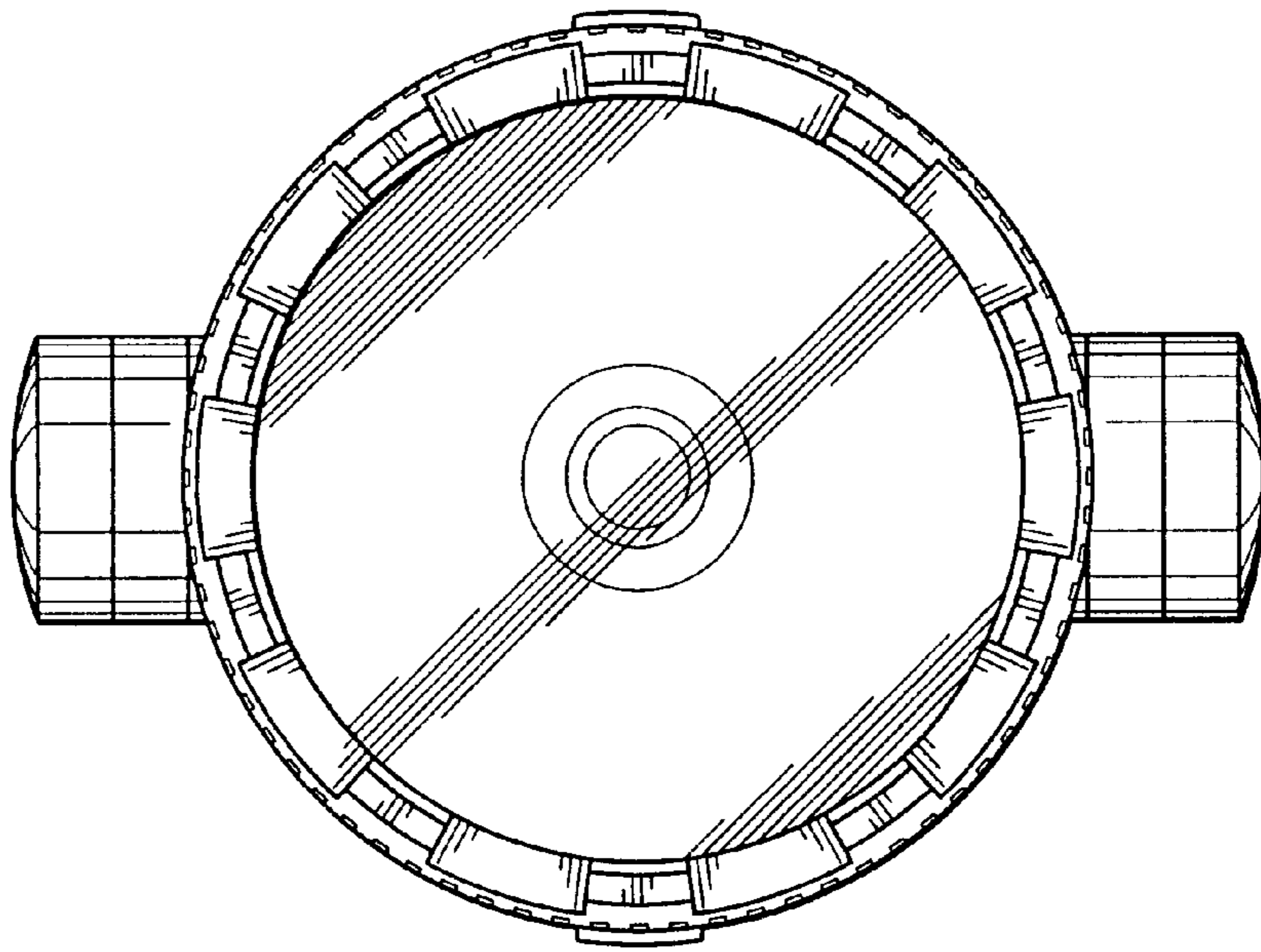


FIG. 7

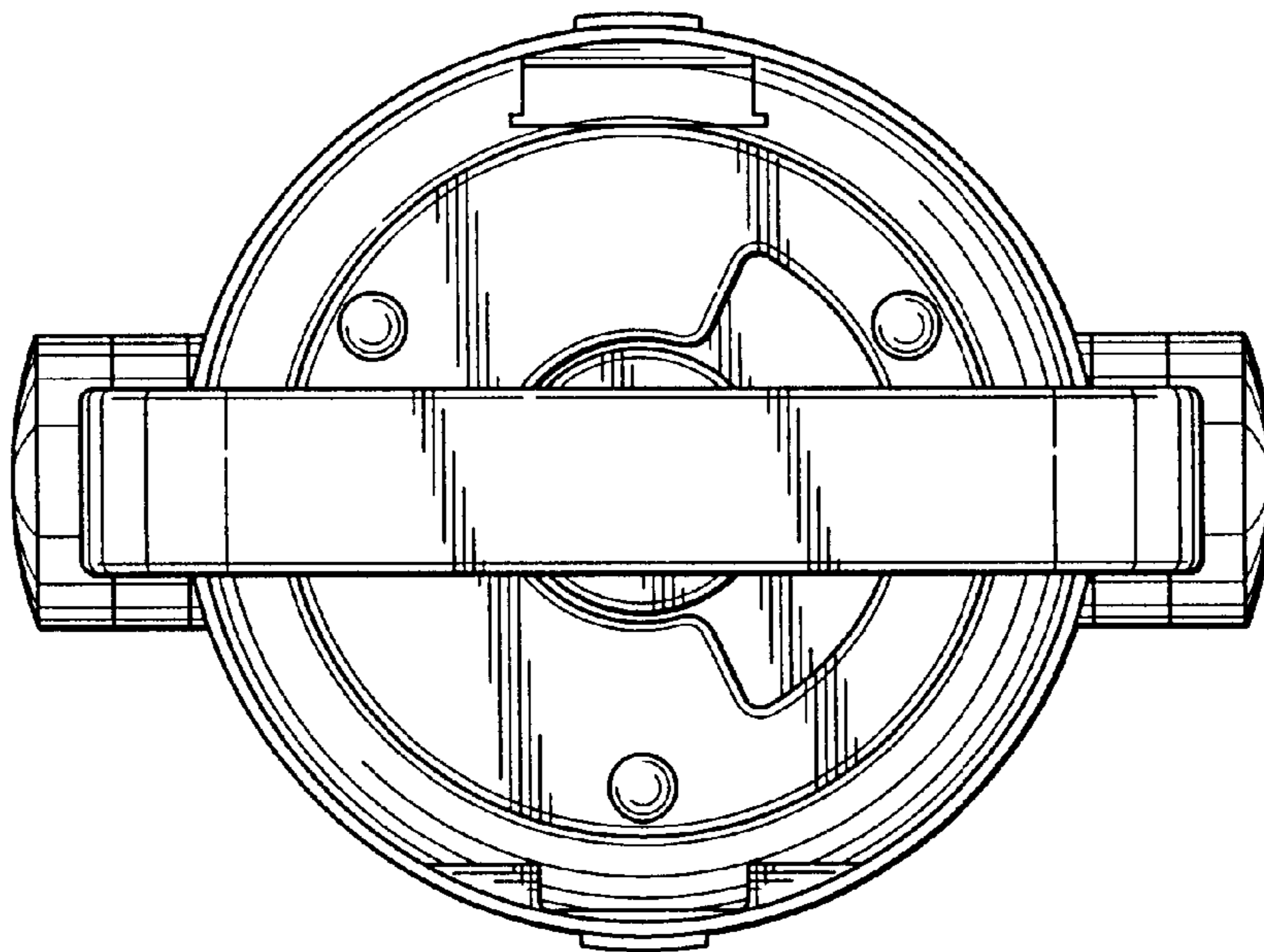


FIG. 8

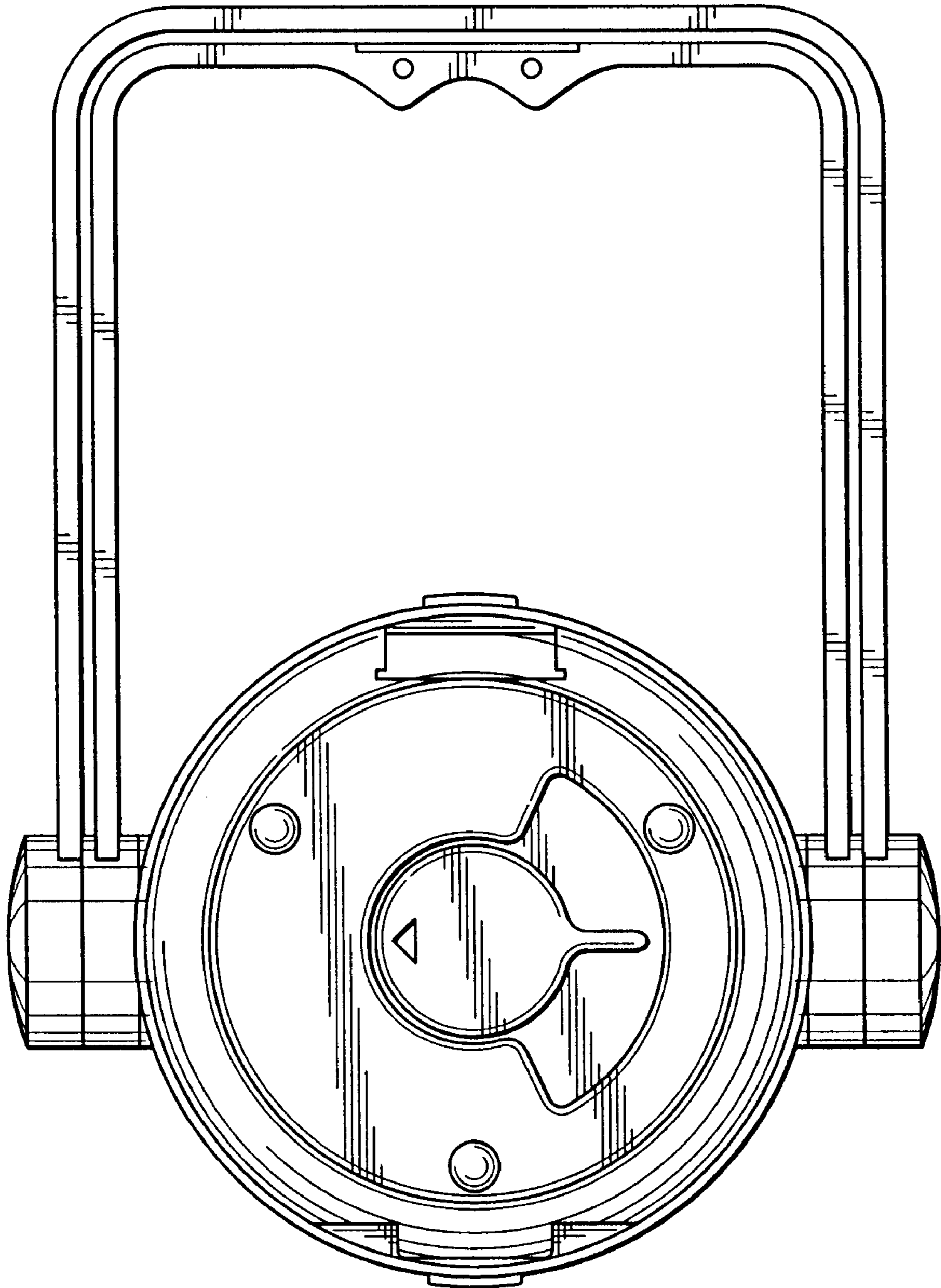


FIG. 9