



US00D425228S

United States Patent [19]
Kibler

[11] **Patent Number: Des. 425,228**

[45] **Date of Patent: ** May 16, 2000**

[54] **FLASHLIGHT**

[75] **Inventor: Gary W. Kibler, Sanger, Tex.**

[73] **Assignee: Bear Plastics, Fort Worth, Tex.**

[**] **Term: 14 Years**

[21] **Appl. No.: 29/111,046**

[22] **Filed: Sep. 17, 1999**

[51] **LOC (7) Cl. 26-02**

[52] **U.S. Cl. D26/46; D26/37**

[58] **Field of Search D26/37-50; 362/195,
362/196, 201, 205, 206, 208**

D. 360,481 7/1995 Hung D26/46
2,966,580 12/1960 Taylor .
4,332,007 5/1982 Gibstein et al. .
4,803,605 2/1989 Schaller et al. .
5,558,430 9/1996 Booty, Jr. .

Primary Examiner—Marcus A. Jackson
Attorney, Agent, or Firm—H. Dennis Kelly; Timmons & Kelly

[57] **CLAIM**

The ornamental design for a flashlight, as shown.

DESCRIPTION

FIG. 1 is a perspective view of a flashlight showing my new design.

FIG. 2 is a top plan view thereof.

FIG. 3 is a bottom plan view thereof.

FIG. 4 is a right side elevation thereof.

FIG. 5 is a front elevation thereof.

FIG. 6 is a rear elevation thereof; and,

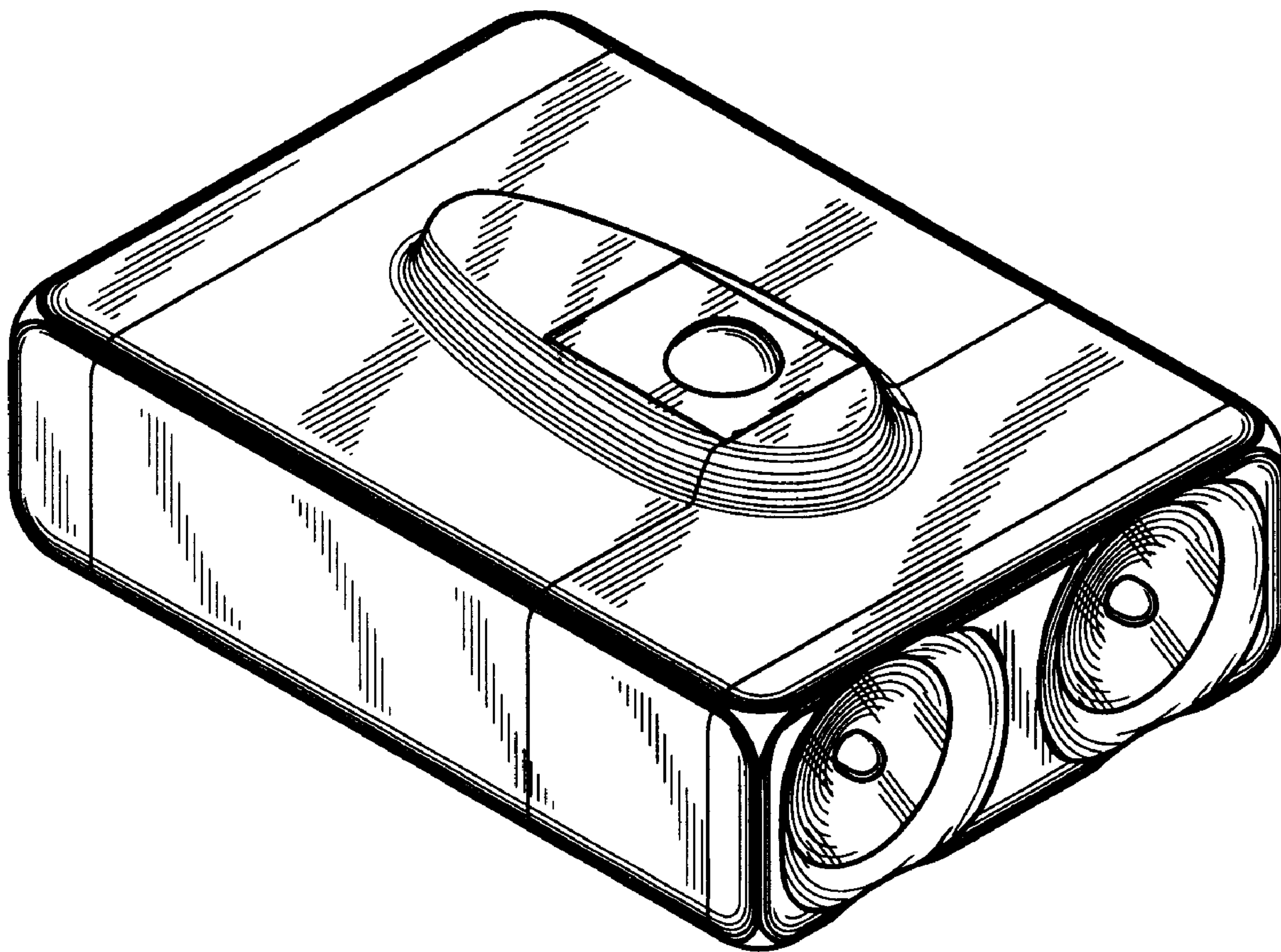
FIG. 7 is a left side elevation thereof.

[56] **References Cited**

U.S. PATENT DOCUMENTS

D. 296,012 5/1988 Petterson D26/46
D. 296,477 6/1988 Powell et al. D26/46
D. 298,860 12/1988 Witte D26/46
D. 311,067 10/1990 Chabria D26/46
D. 311,780 10/1990 Urquhart D26/46
D. 356,174 3/1995 Zo D26/46

1 Claim, 1 Drawing Sheet



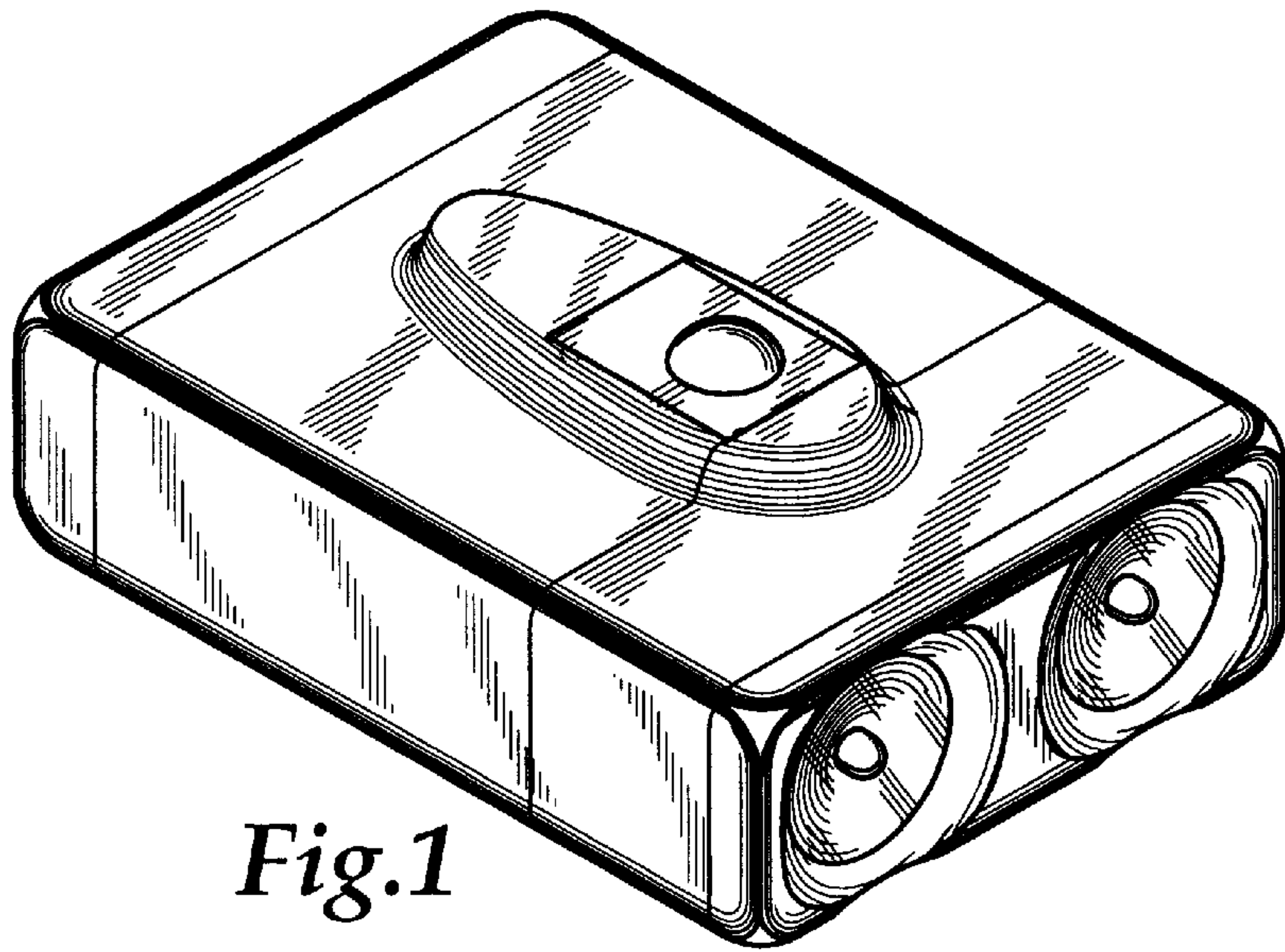


Fig.1

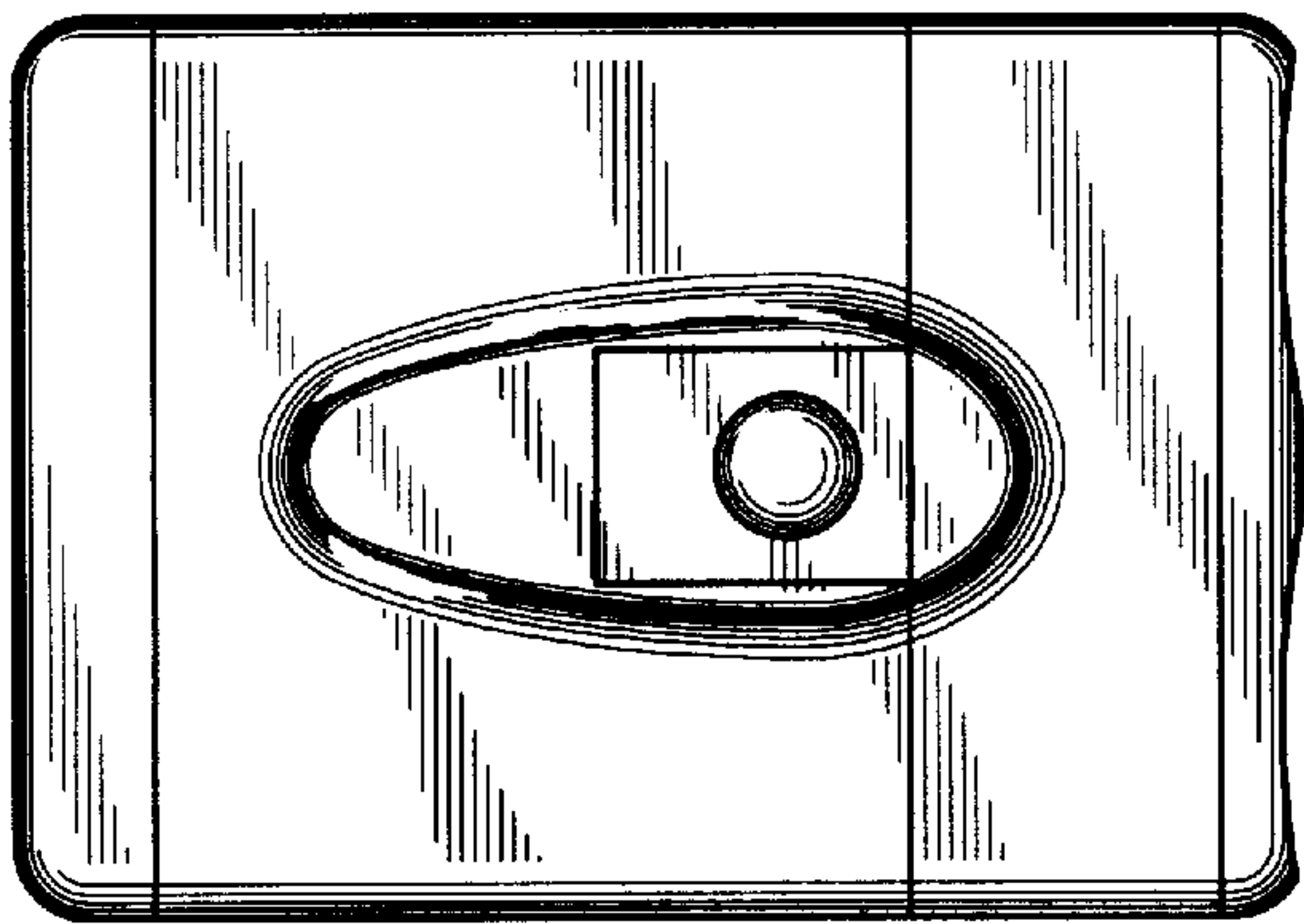


Fig.2

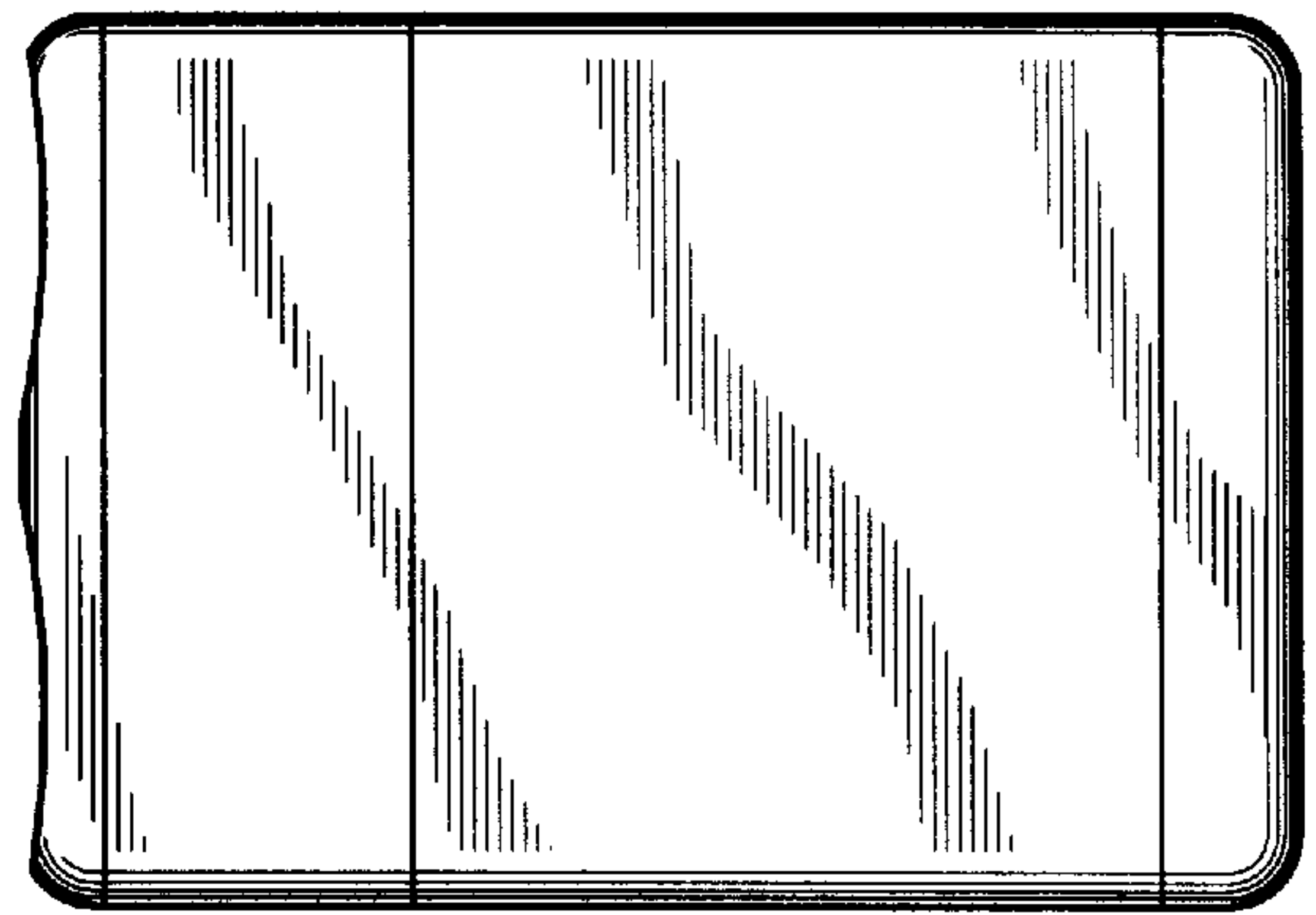


Fig.3

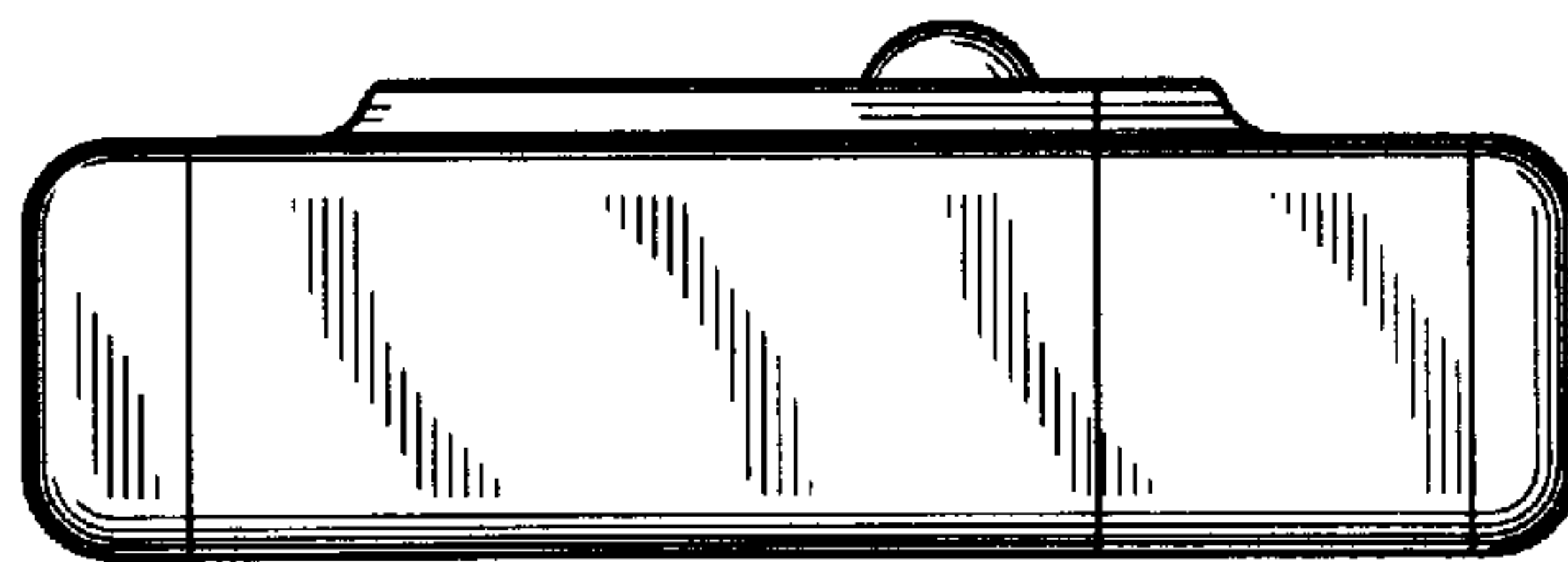


Fig.4

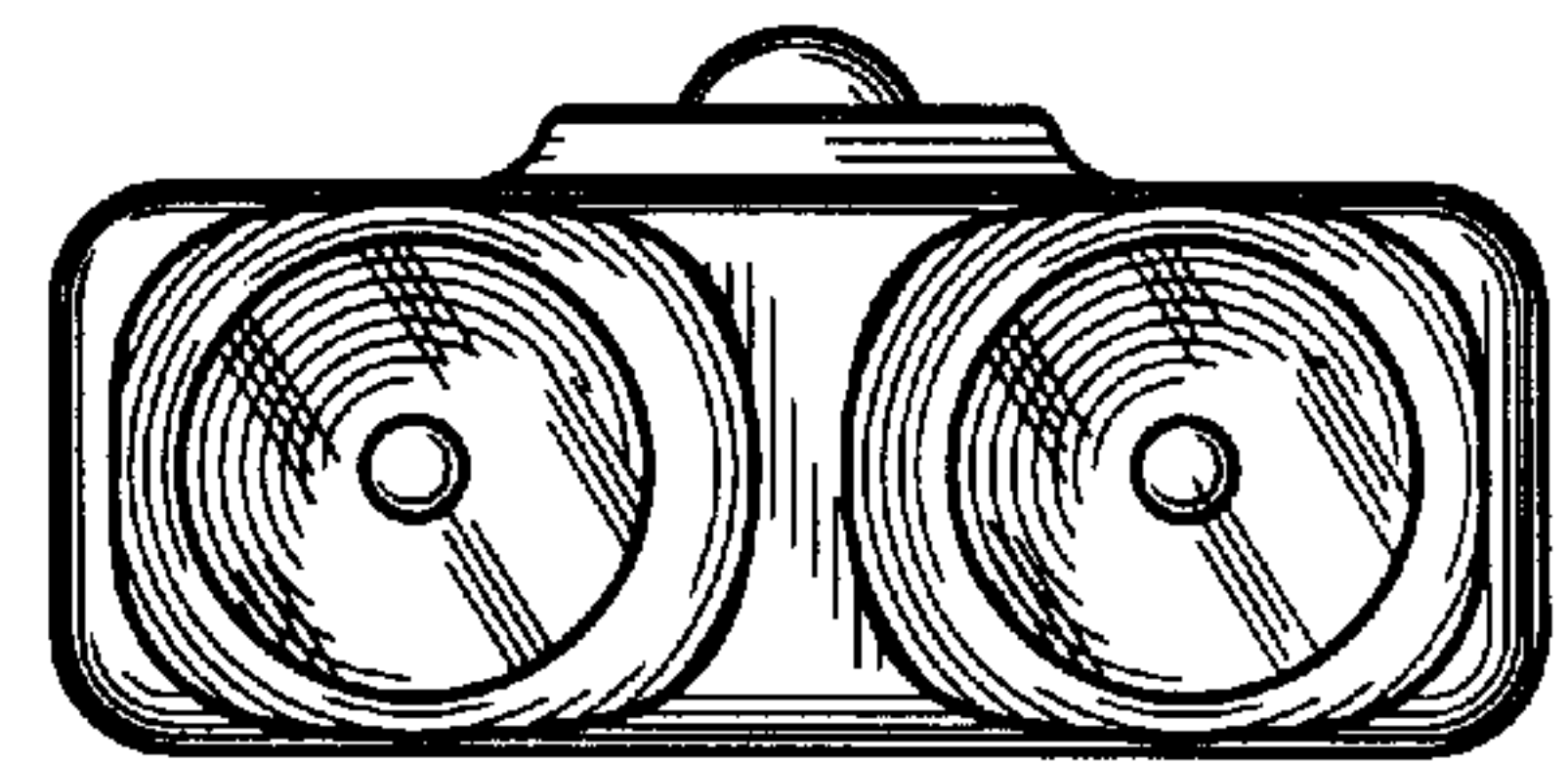


Fig.5

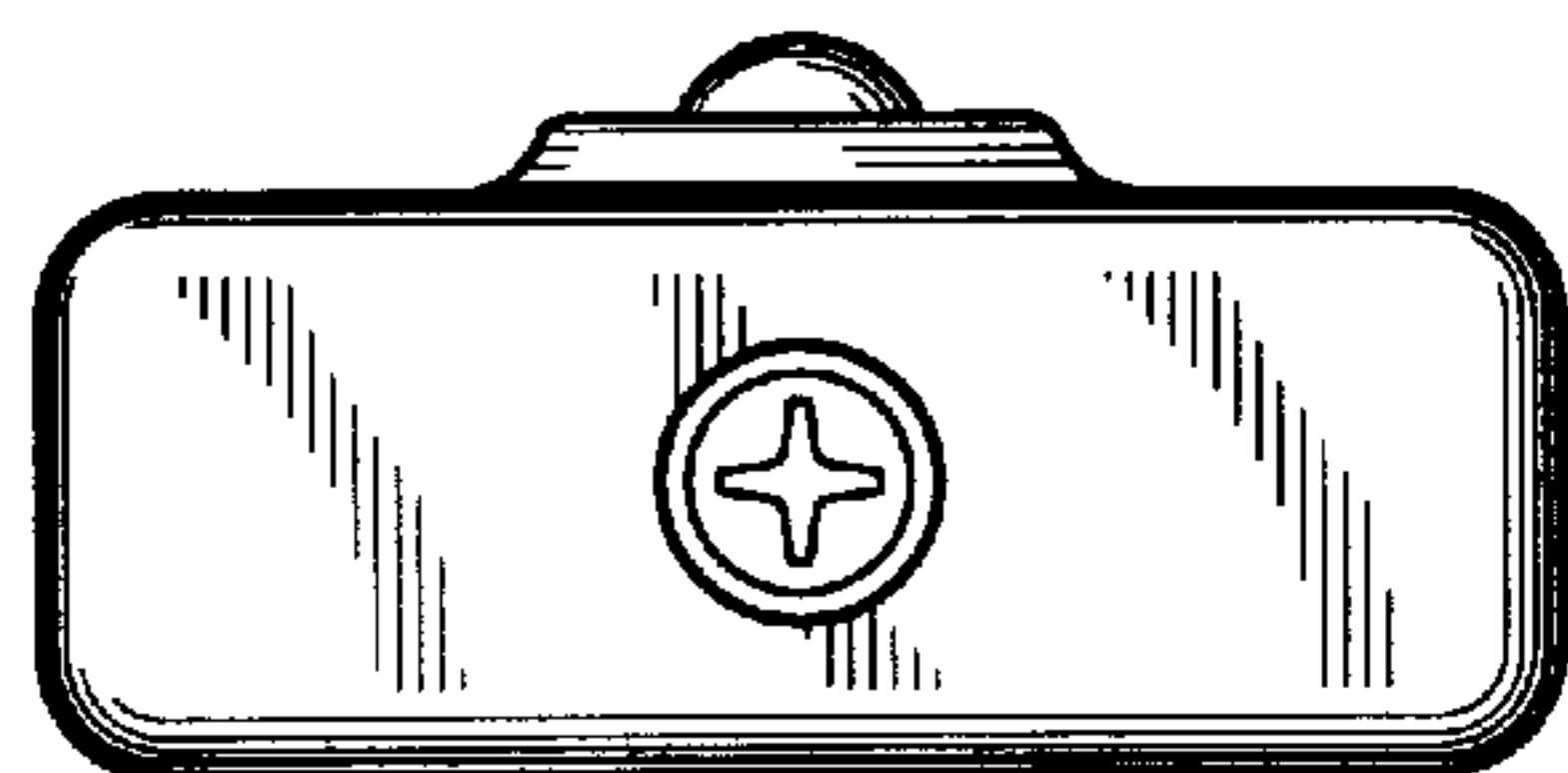


Fig.6

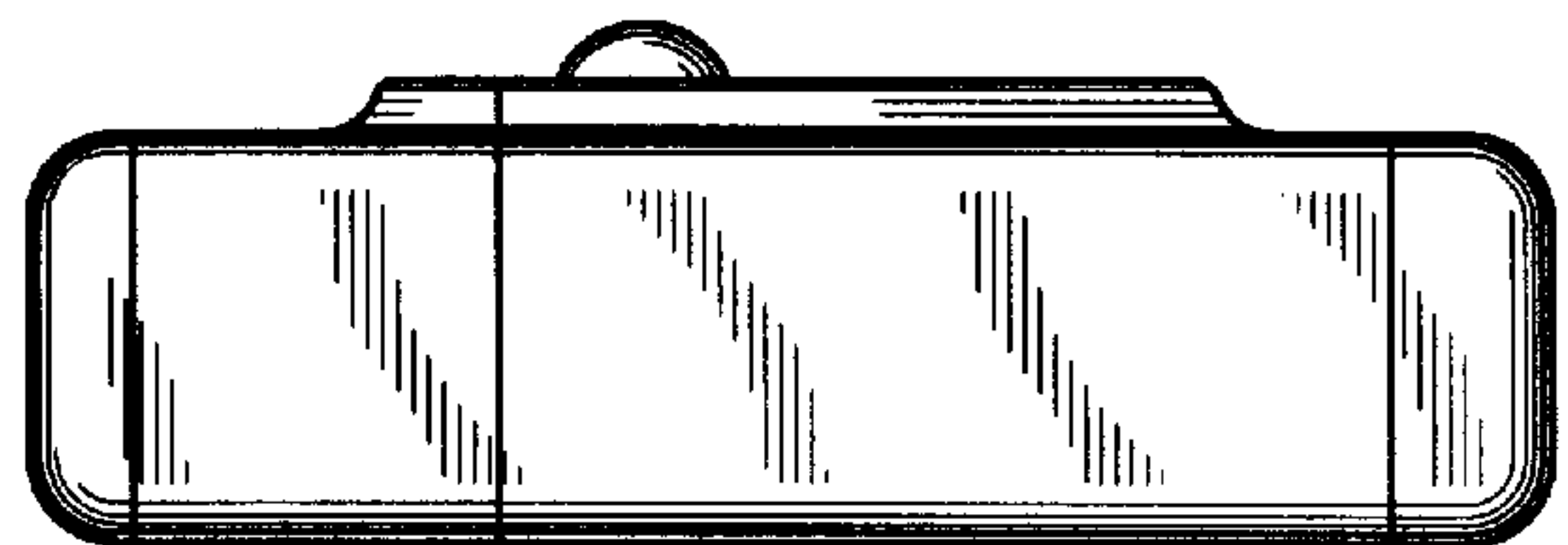


Fig.7