



US00D425221S

United States Patent [19]

Burns

[11] Patent Number: **Des. 425,221**

[45] Date of Patent: **** May 16, 2000**

[54] NIGHT LIGHT

[75] Inventor: **Bruce Burns**, Portland, Oreg.

[73] Assignee: **Burns Bros., Inc.**, Portland, Oreg.

[**] Term: **14 Years**

[21] Appl. No.: **29/095,034**

[22] Filed: **Oct. 14, 1998**

[51] LOC (7) Cl. **26-05**

[52] U.S. Cl. **D26/26; D26/85**

[58] Field of Search D26/72, 80-92;
362/147, 404-408, 226, 806

[56] **References Cited**

U.S. PATENT DOCUMENTS

D. 395,715	6/1998	Queen	D26/24
3,873,880	3/1975	Riddell	362/806 X
5,486,989	1/1996	Compton	362/147 X

OTHER PUBLICATIONS

Regent Lighting Corporation, "Home Safety Decorative Pathway Light" as shown in accompanying photographs (believed to have been sold during 1997).

Domus, Ads. p. 41, suspended light, top, left, Jun. 1985.

Primary Examiner—Susan J. Lucas

Attorney, Agent, or Firm—Vorys, Sater, Seymour and Pease LLP

[57] **CLAIM**

The ornamental design for a night light, as shown.

DESCRIPTION

FIG. 1 is a front elevation view of a night light showing my new design;

FIG. 2 is a rear elevation view thereof;

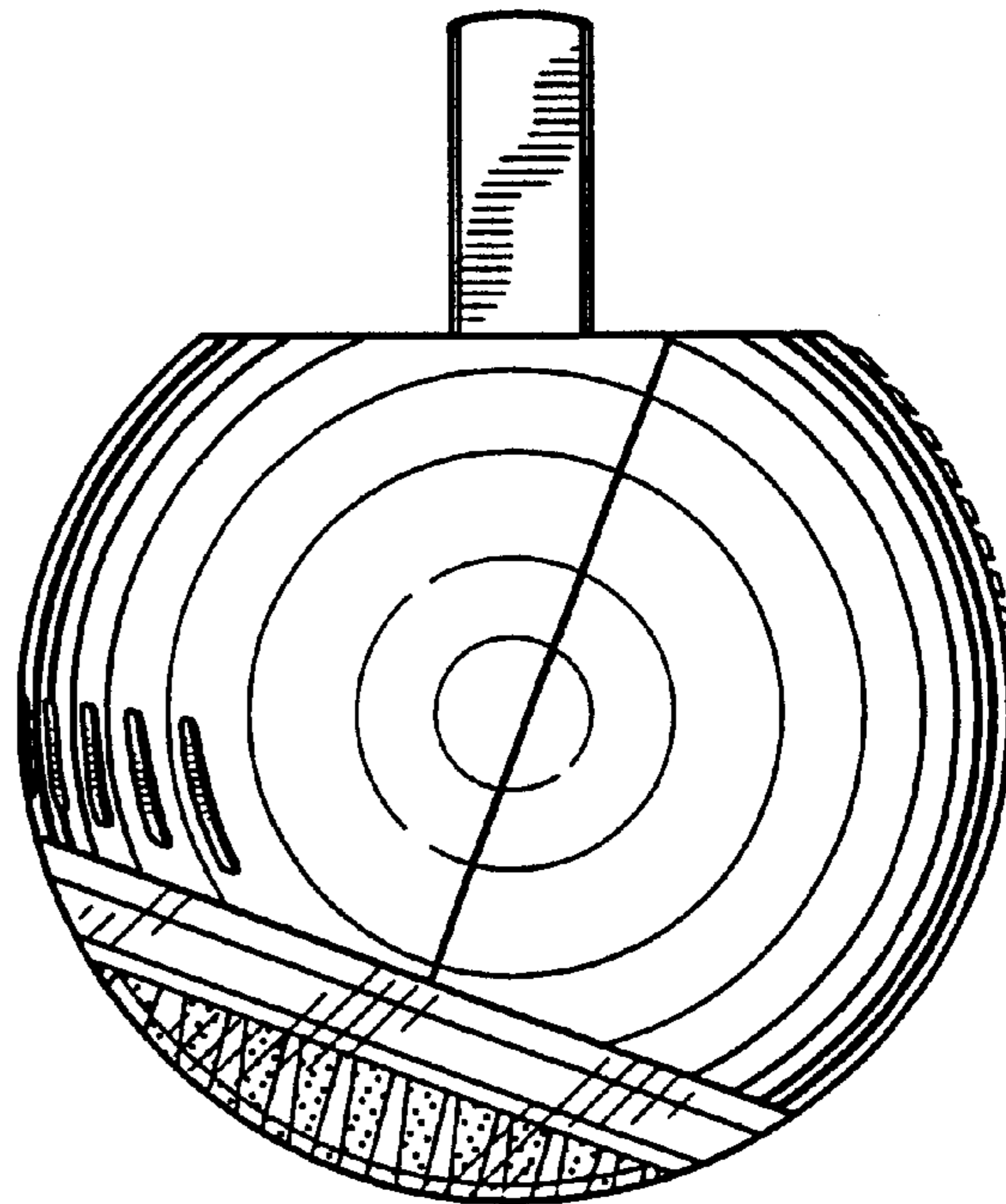
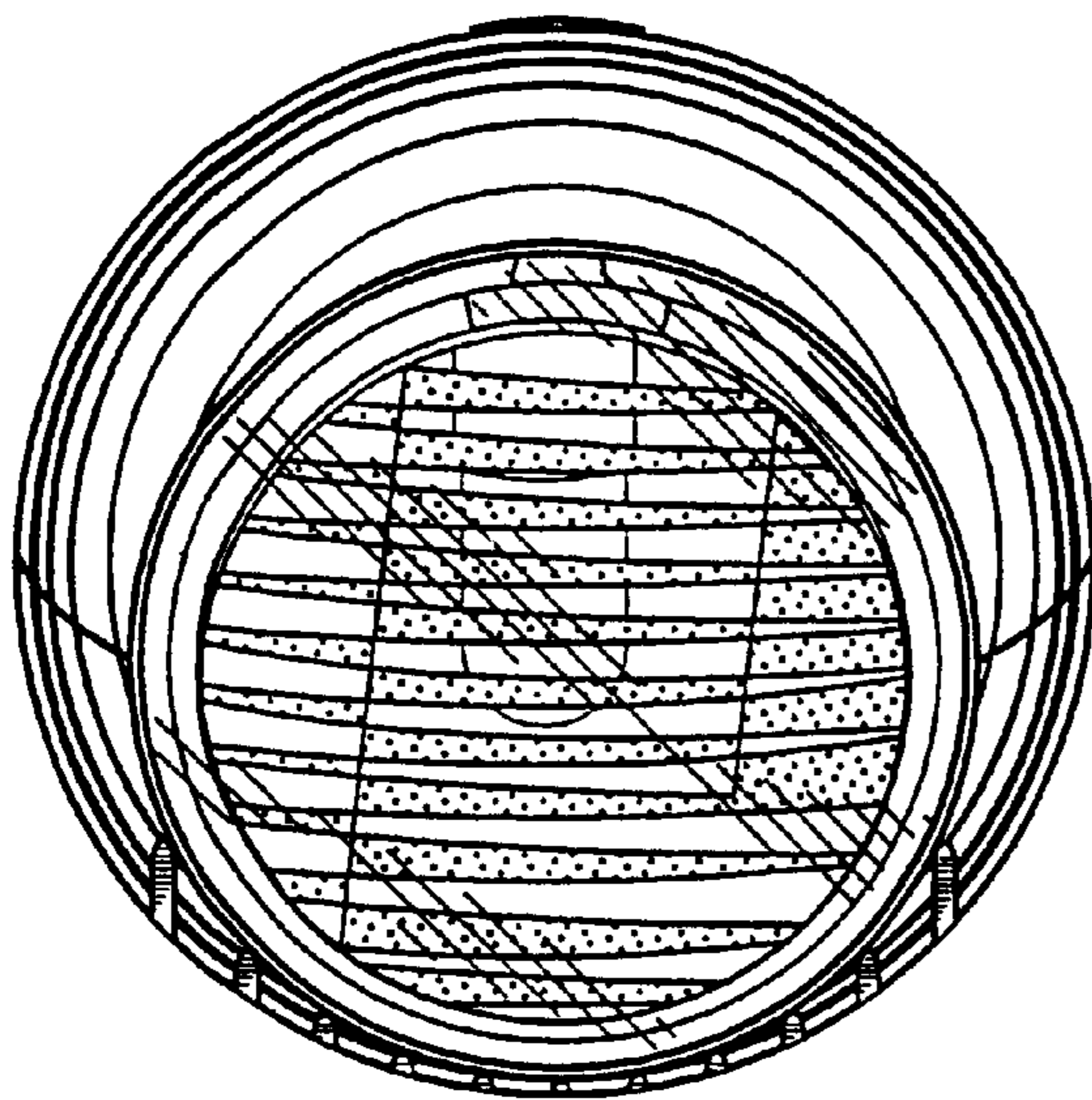
FIG. 3 is a top plan view thereof;

FIG. 4 is a bottom plan view thereof;

FIG. 5 is a right side elevation view thereof; and,

FIG. 6 is a left side elevation view thereof.

1 Claim, 3 Drawing Sheets



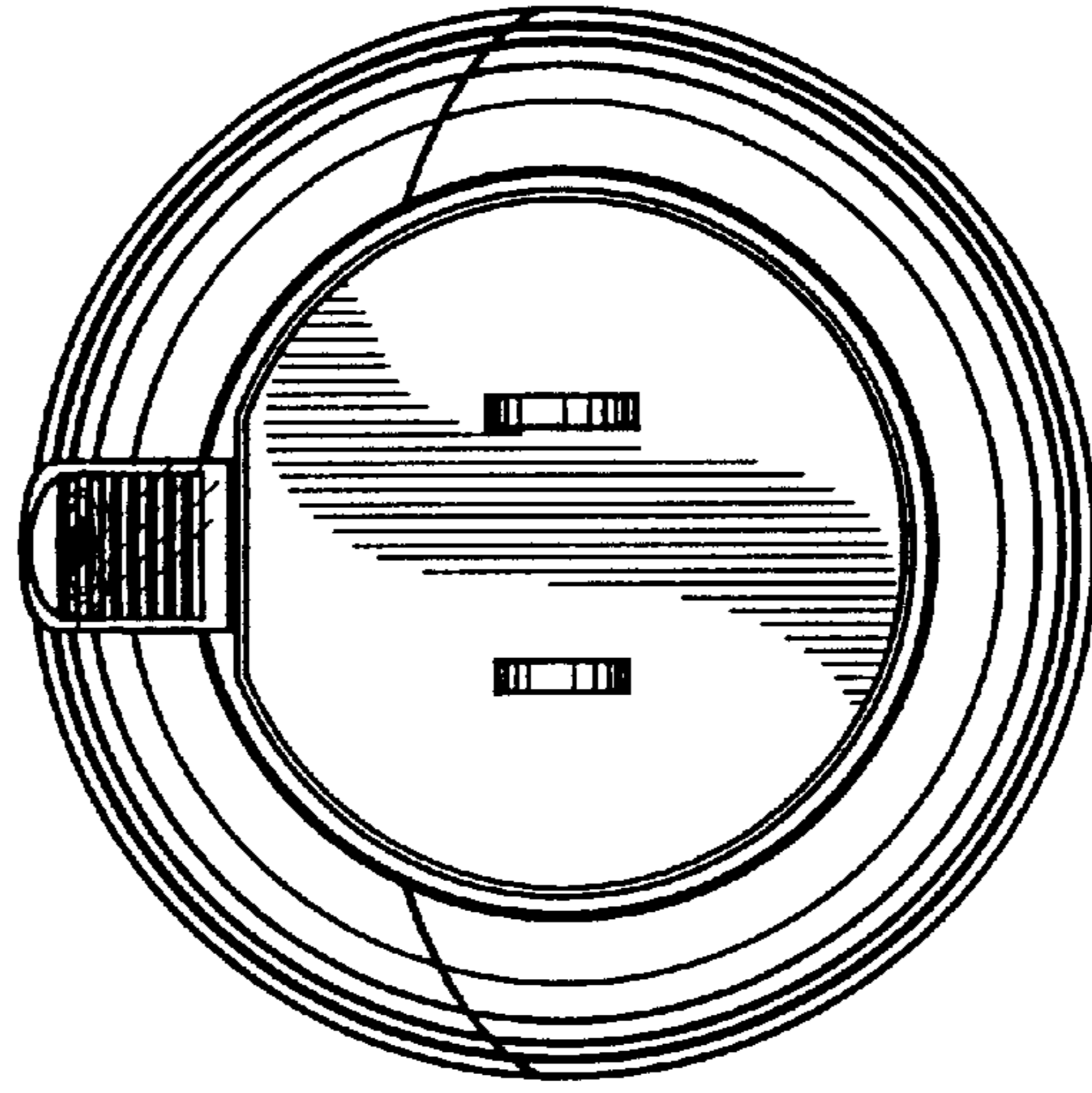


FIG. 2

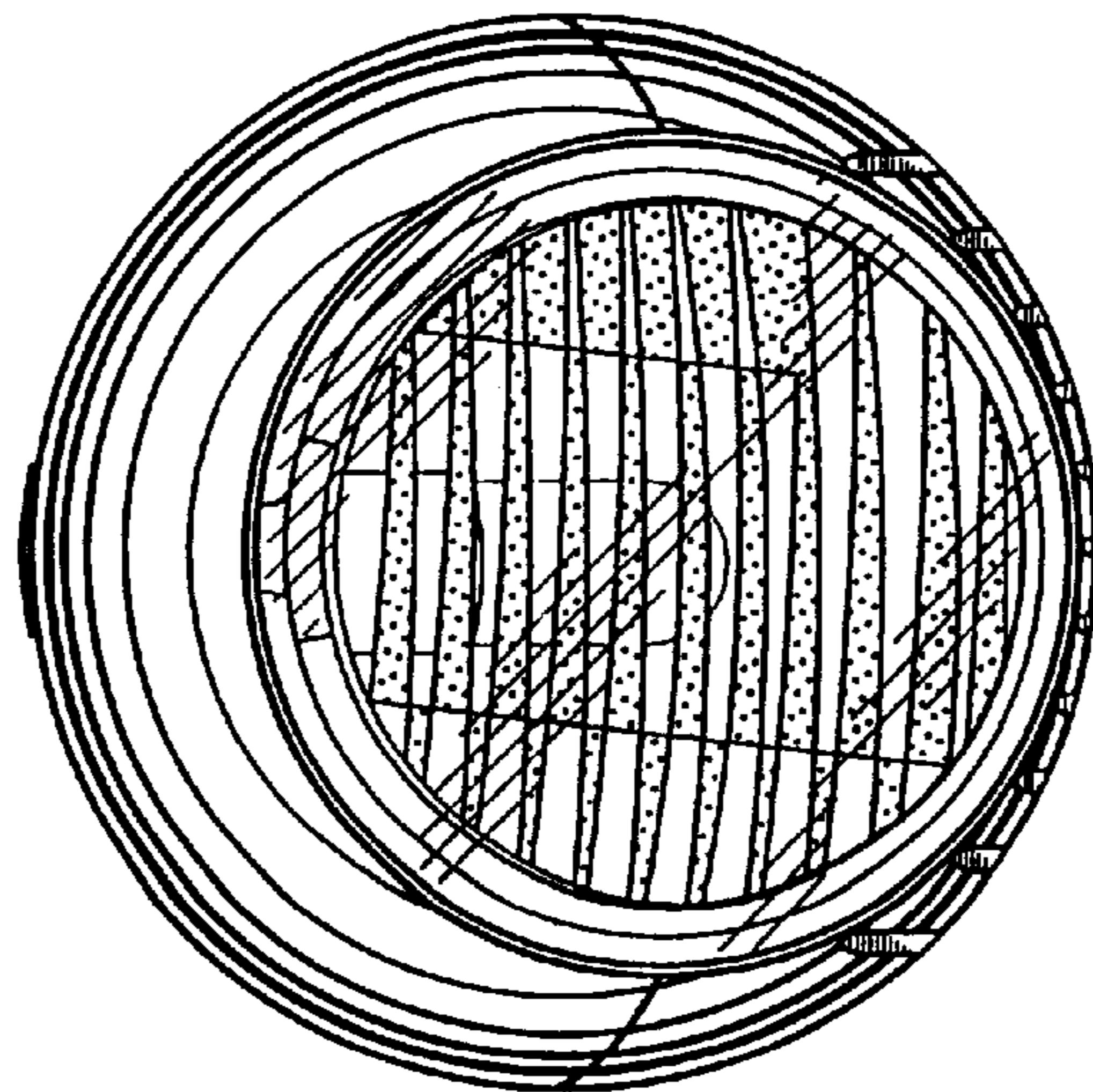


FIG. 1

FIG. 4

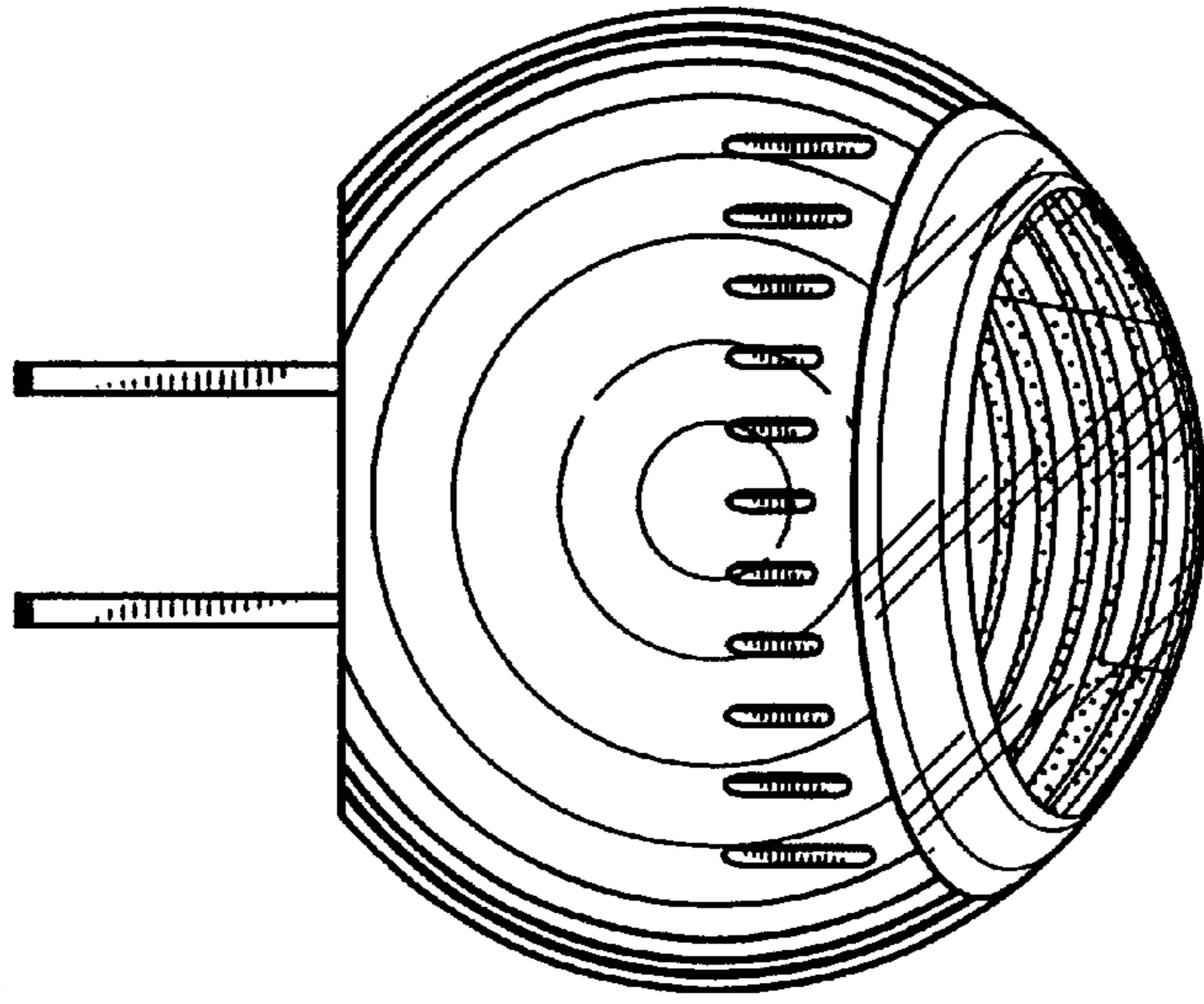


FIG. 3

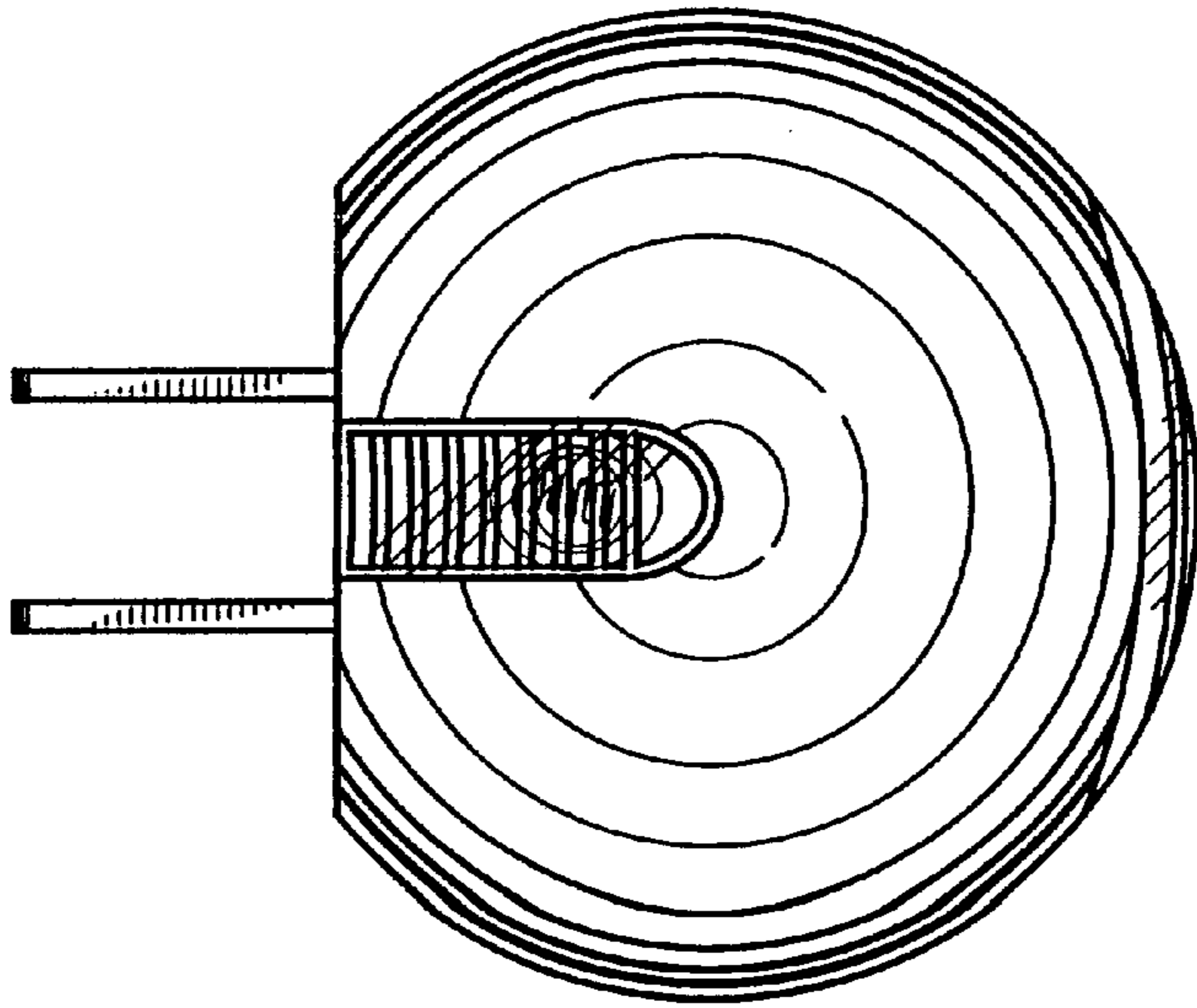


FIG. 6

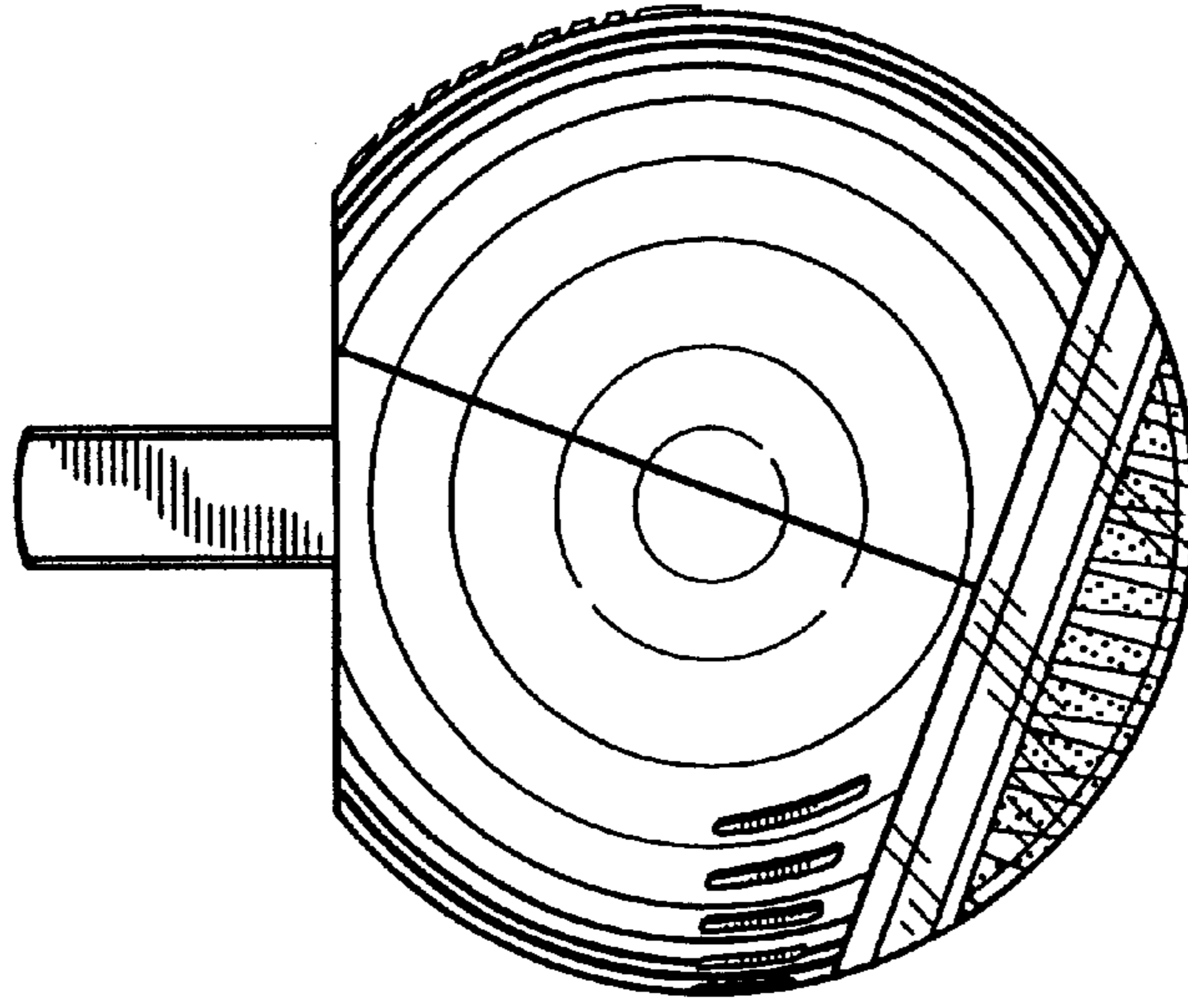


FIG. 5

