



US00D425216S

United States Patent [19] Franson

[11] **Patent Number: Des. 425,216**

[45] **Date of Patent: ** May 16, 2000**

[54] **WINDOW COMPONENT EXTRUSION**

D. 385,971 11/1997 Franson .
D. 402,054 12/1998 Leonelli D25/124

[75] Inventor: **Jeffrey R. Franson**, Maple Valley, Wash.

Primary Examiner—Doris Clark
Attorney, Agent, or Firm—Richardson & Folise

[73] Assignee: **Mikron Industries, Inc.**, Kent, Wash.

[**] Term: **14 Years**

[57] CLAIM

[21] Appl. No.: **29/107,183**

The ornamental design for a window component extrusion, as shown and described.

[22] Filed: **Jun. 29, 1999**

DESCRIPTION

[51] **LOC (7) Cl.** **25-01**

[52] **U.S. Cl.** **D25/124**

[58] **Field of Search** D25/52, 60, 119-125;
49/DIG. 2, 504-505, 404, 413, 419, 407,
408; 52/204.56, 204.51, 730.3, 205.1, 202

FIG. 1 is a top right perspective view of the window component extrusion which is broken in the center indicating indefinite length; and,

FIG. 2 is a bottom left perspective view of the window component extrusion shown in FIG. 1.

[56] References Cited

U.S. PATENT DOCUMENTS

D. 373,201 8/1996 Franson .

1 Claim, 1 Drawing Sheet

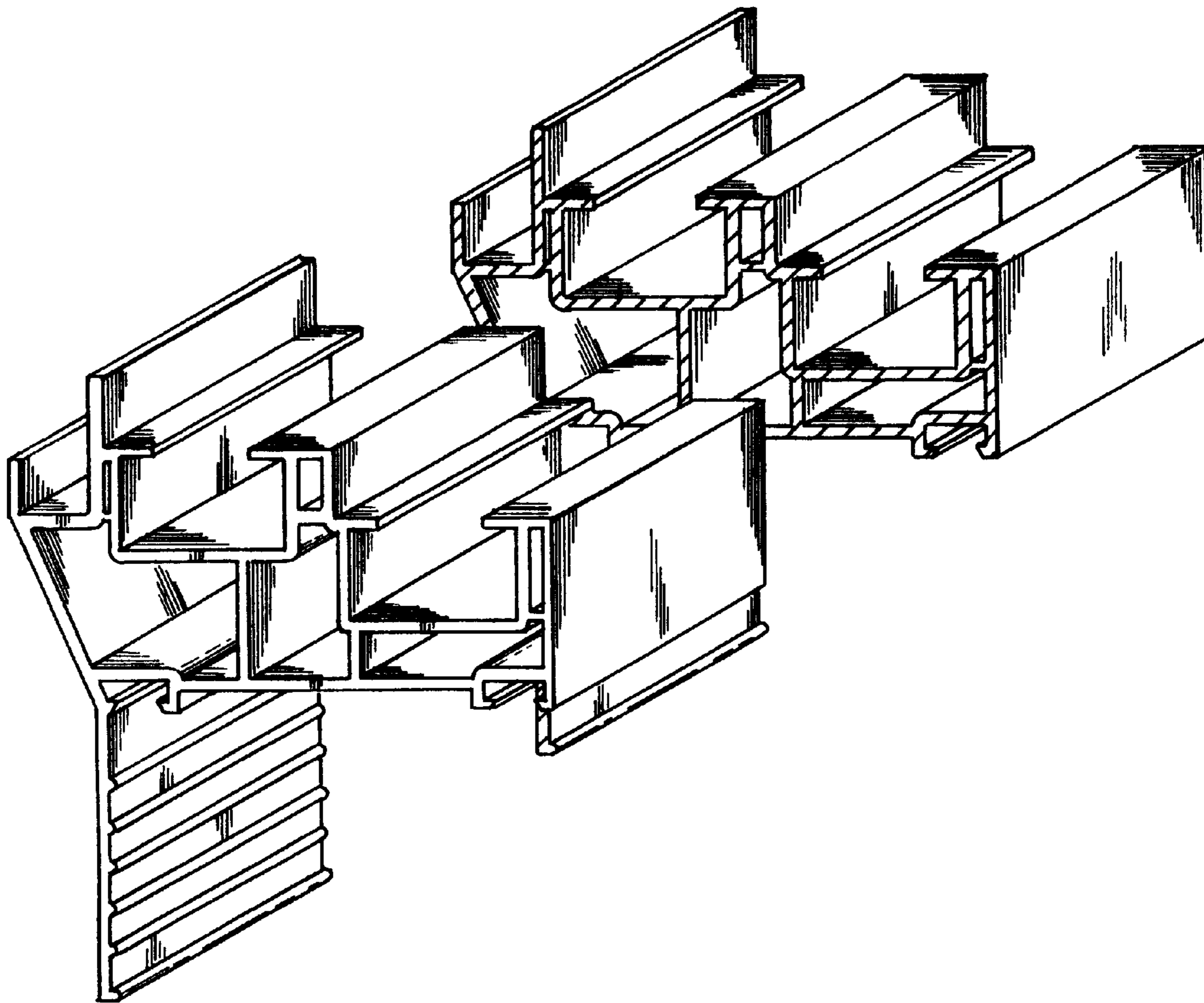


FIG. 1

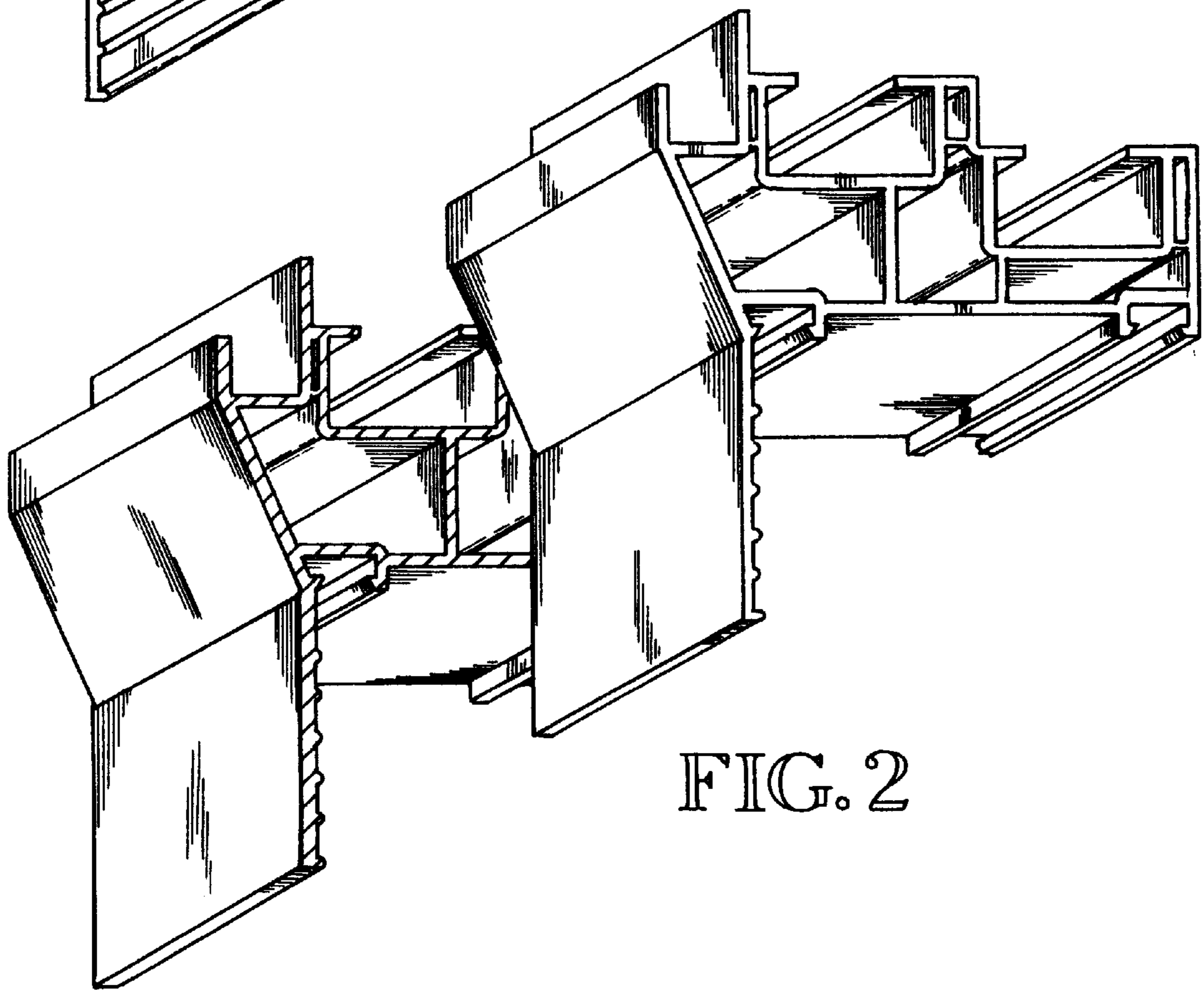
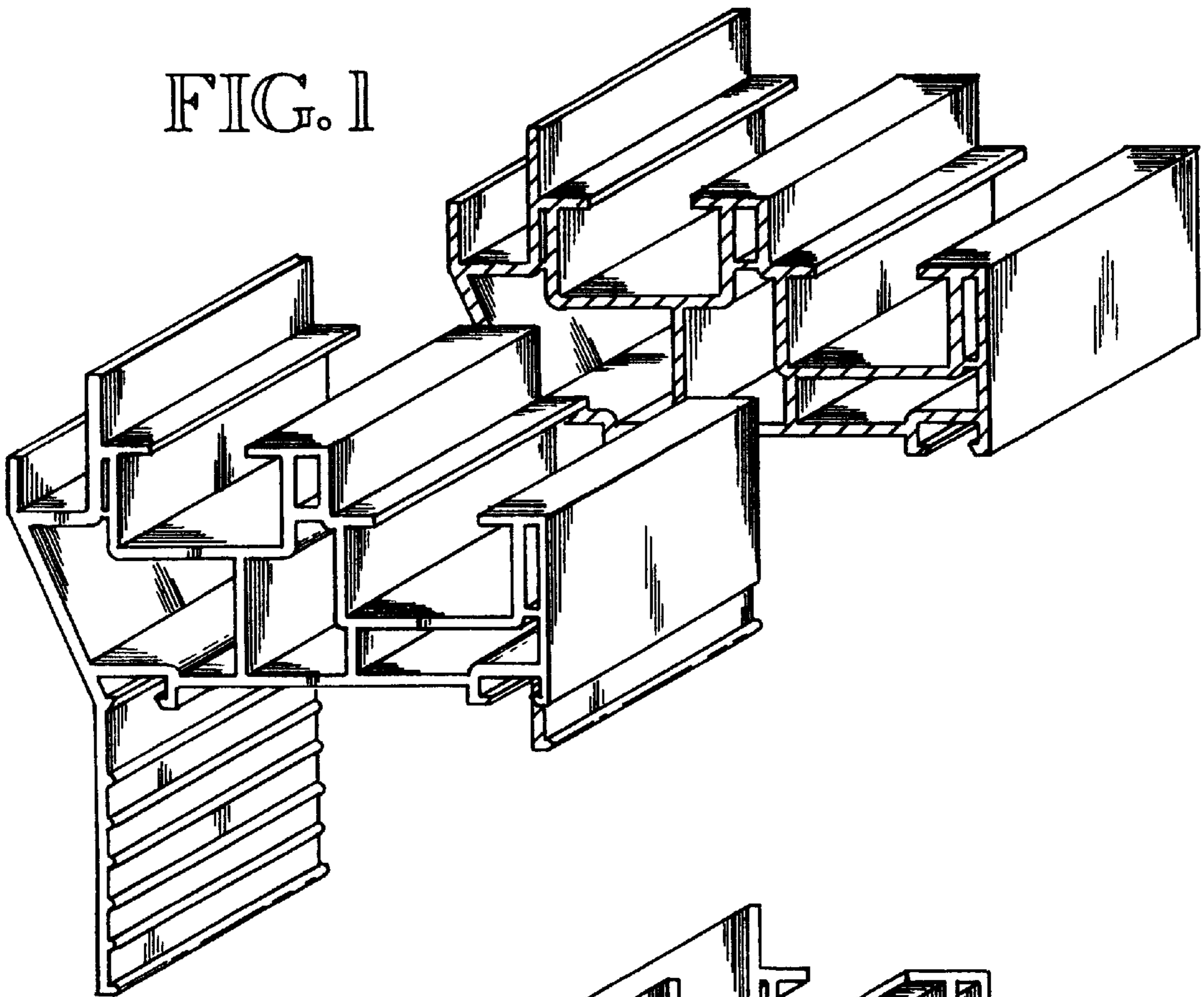


FIG. 2