



US00D425214S

# United States Patent [19] Speck

[11] **Patent Number: Des. 425,214**

[45] **Date of Patent: \*\* May 16, 2000**

[54] **MOLDED BLOCK**

[76] Inventor: **John W. Speck**, 37748 Meadowhill Dr., Farmington Hills, Mich. 48167

[\*\*] Term: **14 Years**

[21] Appl. No.: **29/083,812**

[22] Filed: **Feb. 18, 1998**

[51] **LOC (7) Cl. .... 25-01**

[52] **U.S. Cl. .... D25/118; D34/38**

[58] **Field of Search** ..... D3/113-118; D9/430-432, D9/456; D21/484, 500; D34/38; 425/253; 108/901, 51.11, 53.1, 57.22, 57.31; 52/596-605, 608-612; 404/17-20, 27-30, 34, 37-39, 42; 405/284-286

[56] **References Cited**

**U.S. PATENT DOCUMENTS**

D. 257,247	10/1980	Powers	.....	D34/38
D. 354,606	1/1995	Pigott et al.	.....	D34/38
D. 377,901	2/1997	Payne et al.	.....	D9/456
D. 394,287	5/1998	Jensen et al.	.....	D21/500
4,664,260	5/1987	Stokes	.....	108/53.1
5,193,464	3/1993	Morden	.....	108/901
5,606,921	3/1997	Elder et al.	.....	108/901

*Primary Examiner*—Louis S. Zarfes  
*Assistant Examiner*—Robert A. Delehanty  
*Attorney, Agent, or Firm*—Carrier, Blackman & Associates, P.C.; William D. Blackman; Joseph P. Carrier

[57] **CLAIM**

I claim the ornamental design for a molded block, as shown.

**DESCRIPTION**

FIG. 1 is a perspective view of my new, original and ornamental design for a molded block.

FIG. 2 is a top plan view thereof.

FIG. 3 is a front elevational view thereof with the block resting on a side surface thereof.

FIG. 4 is a right side elevational view thereof with the block resting on a bottom surface thereof.

FIG. 5 is a bottom plan view thereof.

FIG. 6 is a back elevational view thereof with the block resting on a side surface thereof.

FIG. 7 is a left side elevational view thereof with the block resting on a bottom surface thereof; and,

FIG. 8 is a cross-sectional view thereof.

The molded block according to my new, original and ornamental design is used, in conjunction with a threaded fastener, for connecting plastic containers together.

**1 Claim, 3 Drawing Sheets**

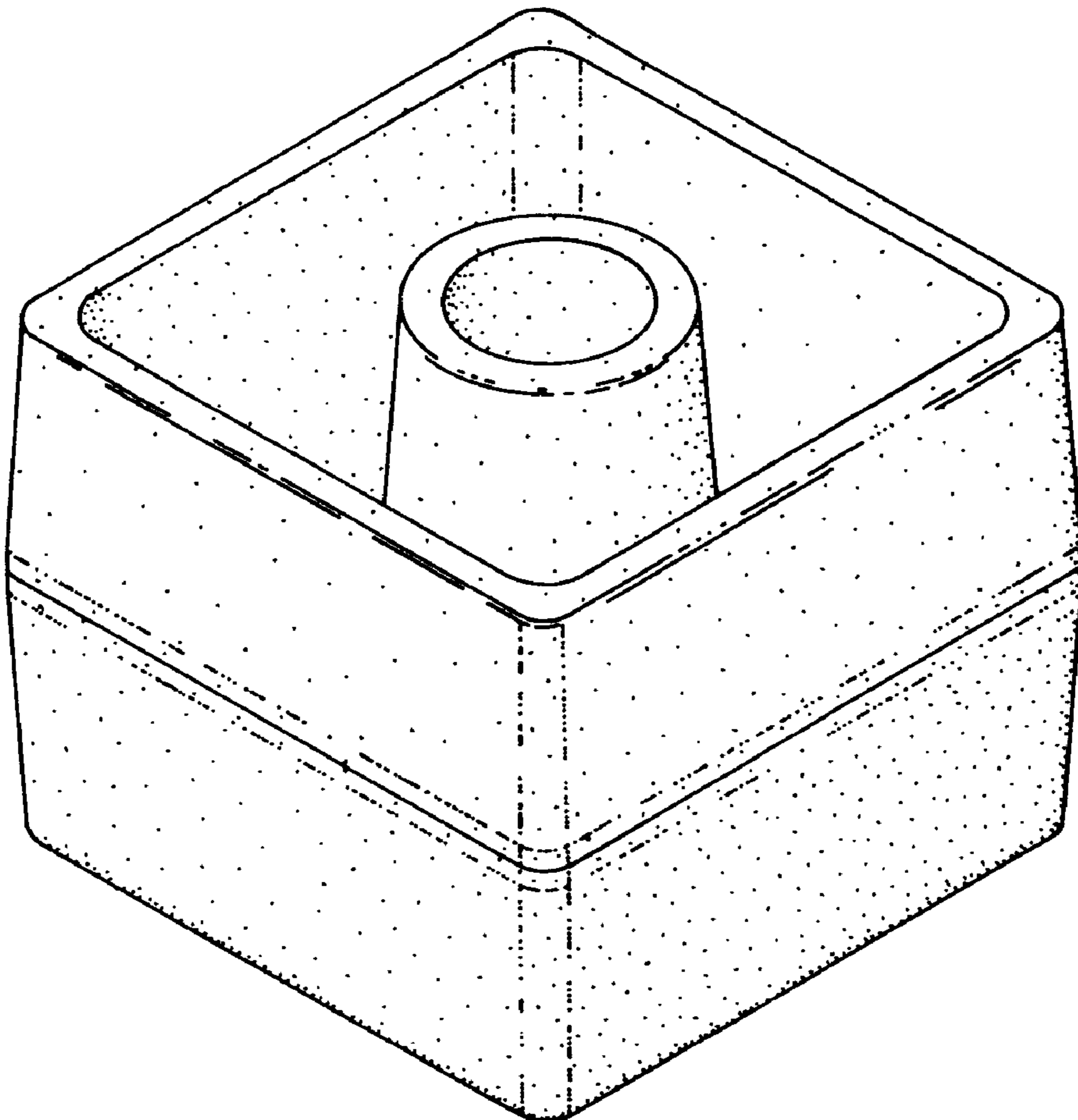


FIG 1

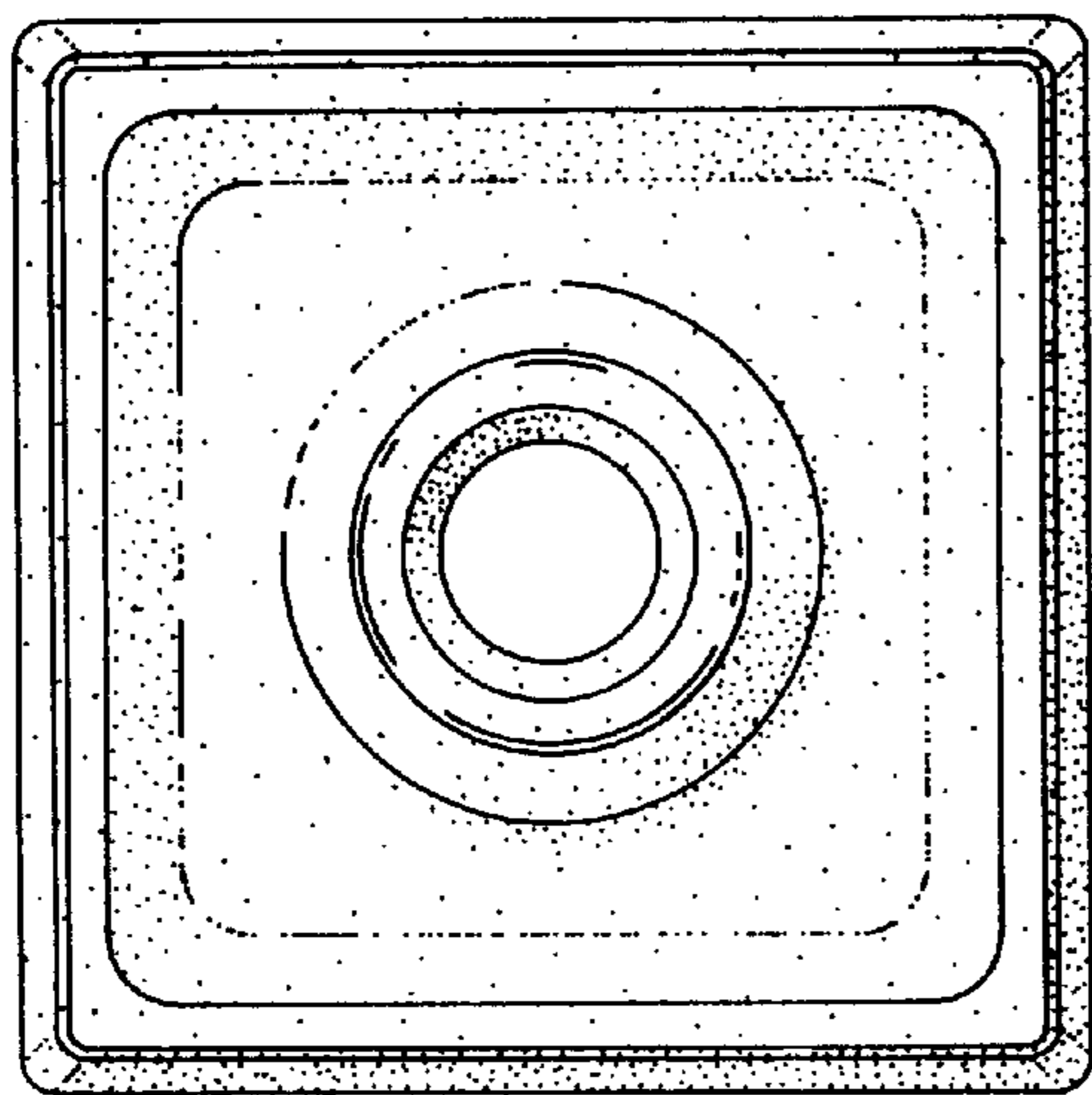
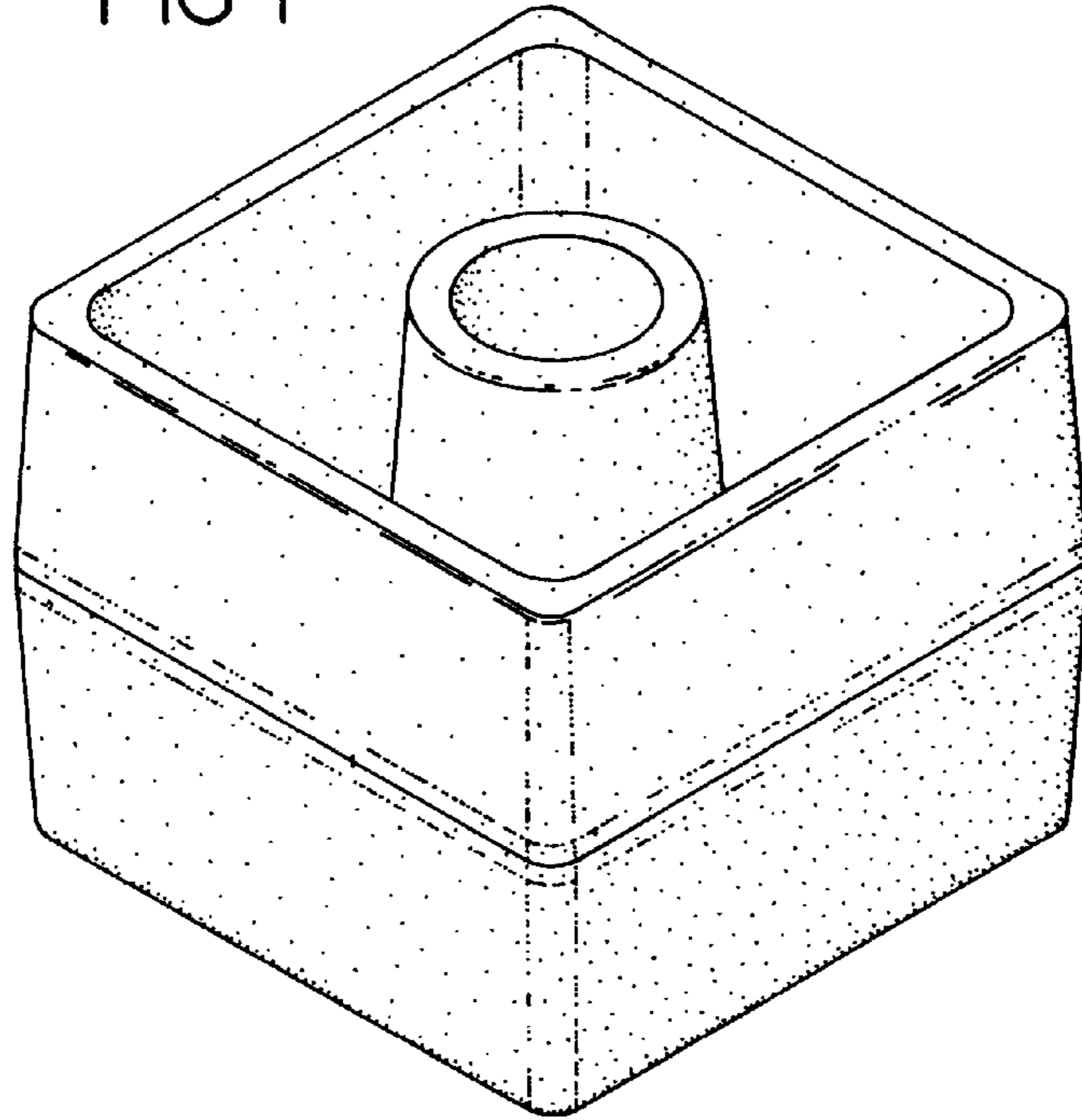


FIG 2

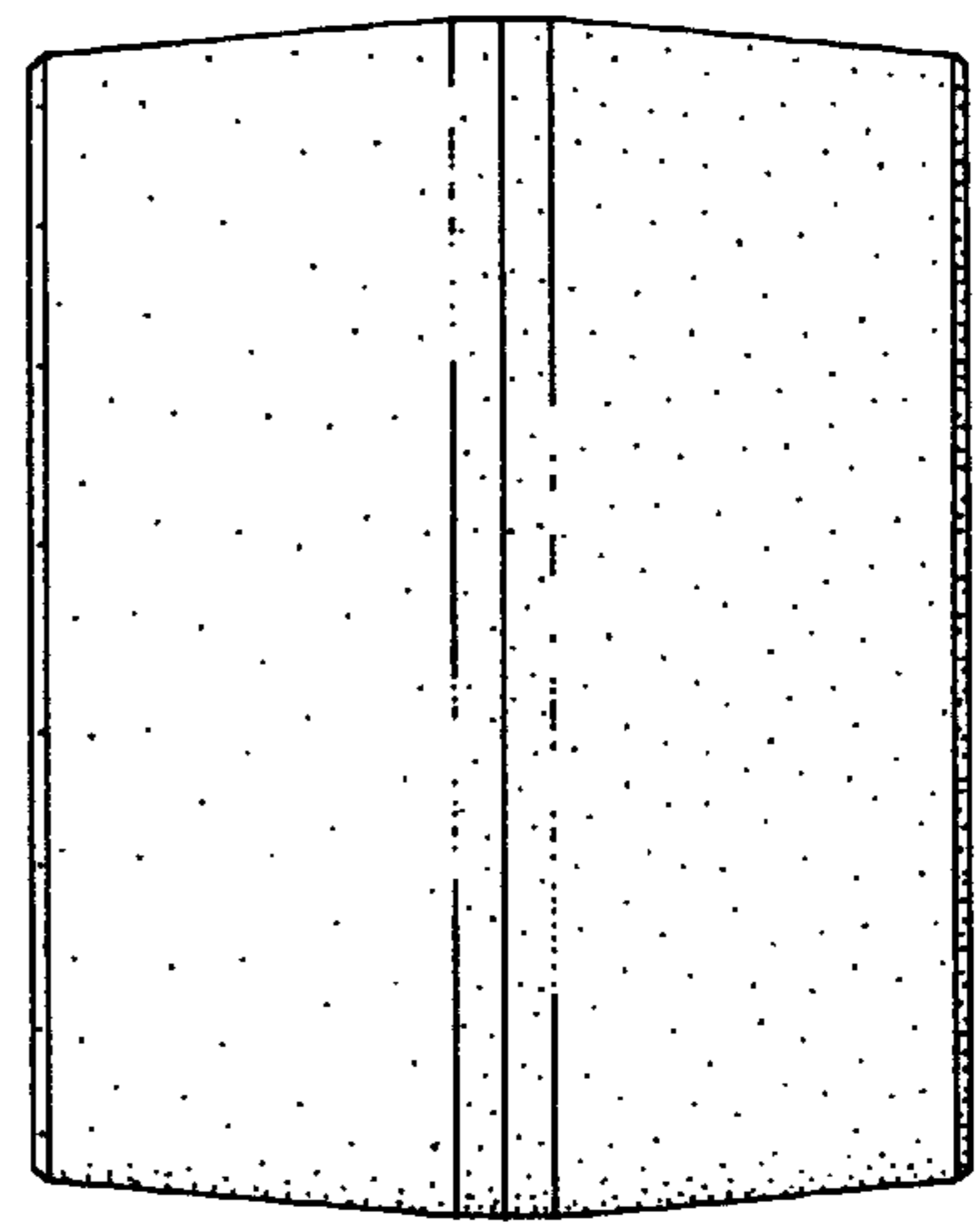


FIG 3

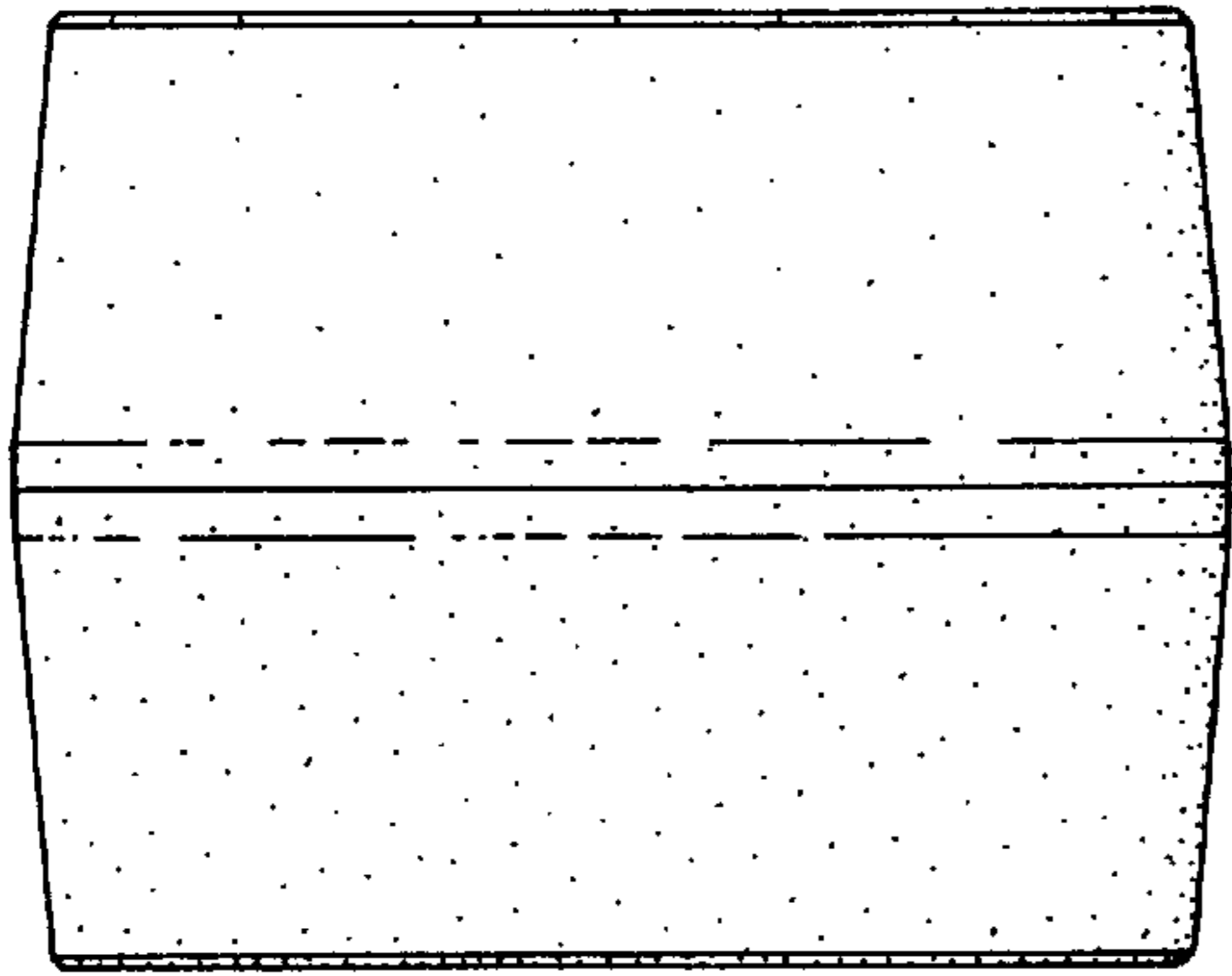


FIG 4

FIG 5

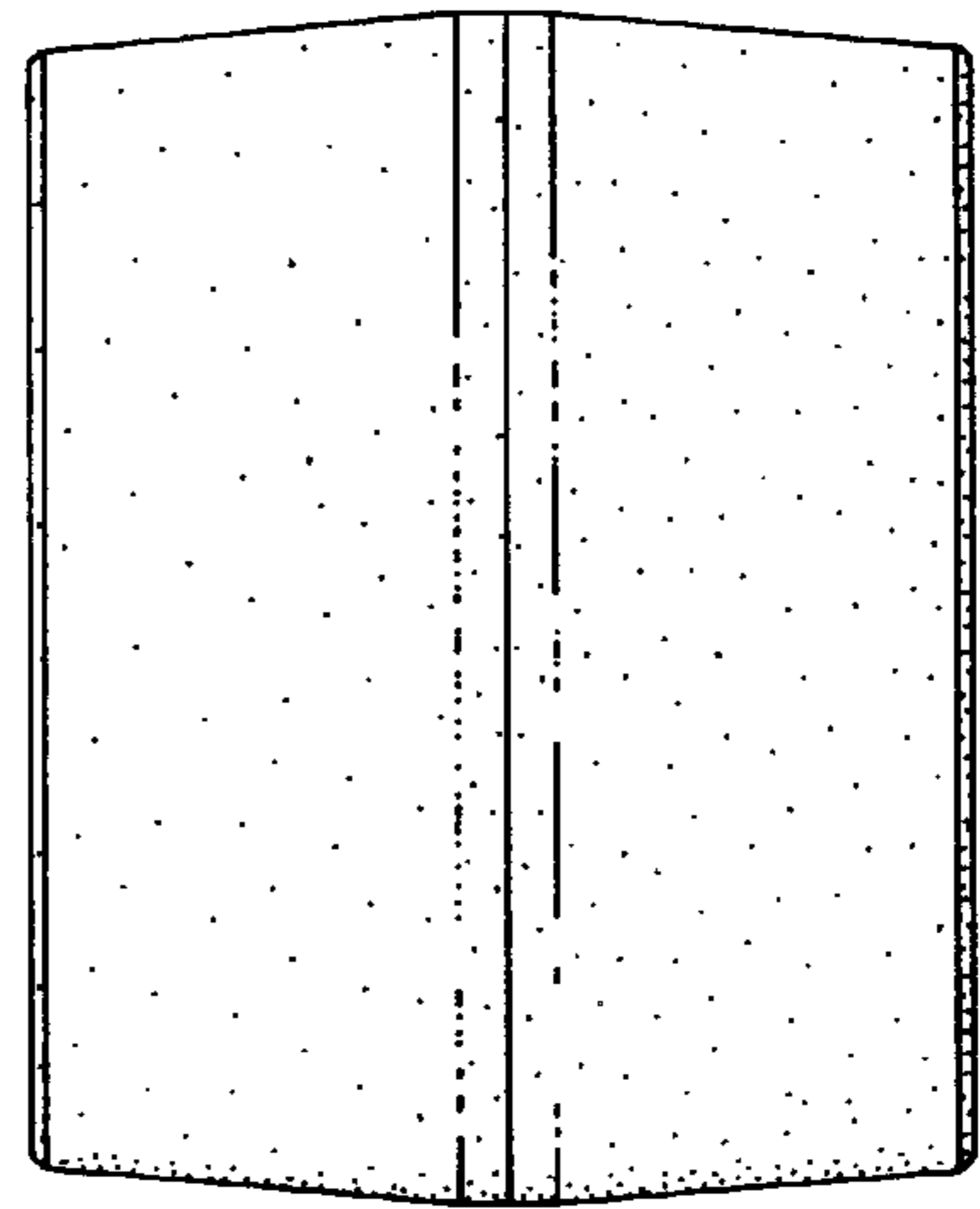
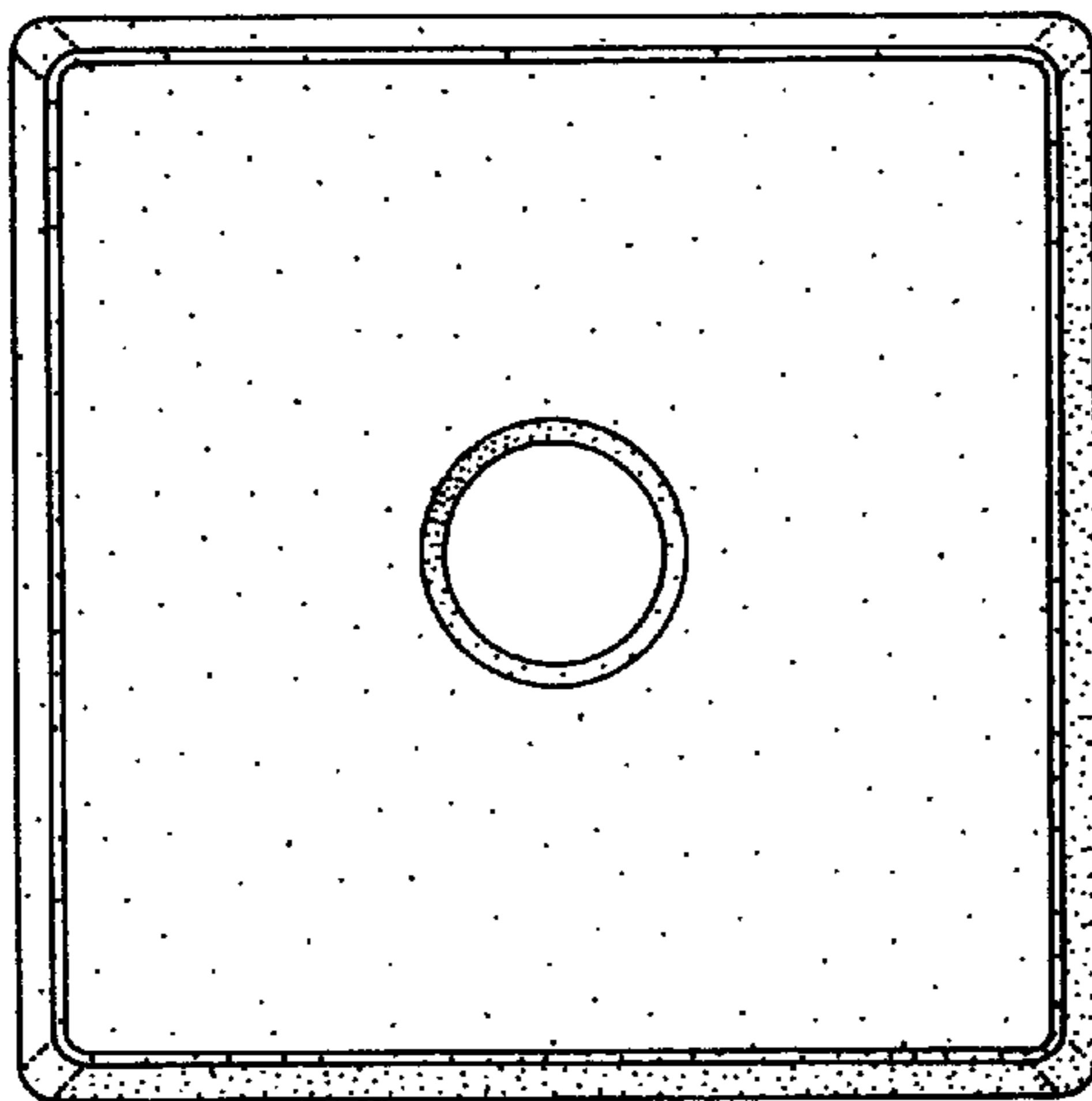


FIG 6

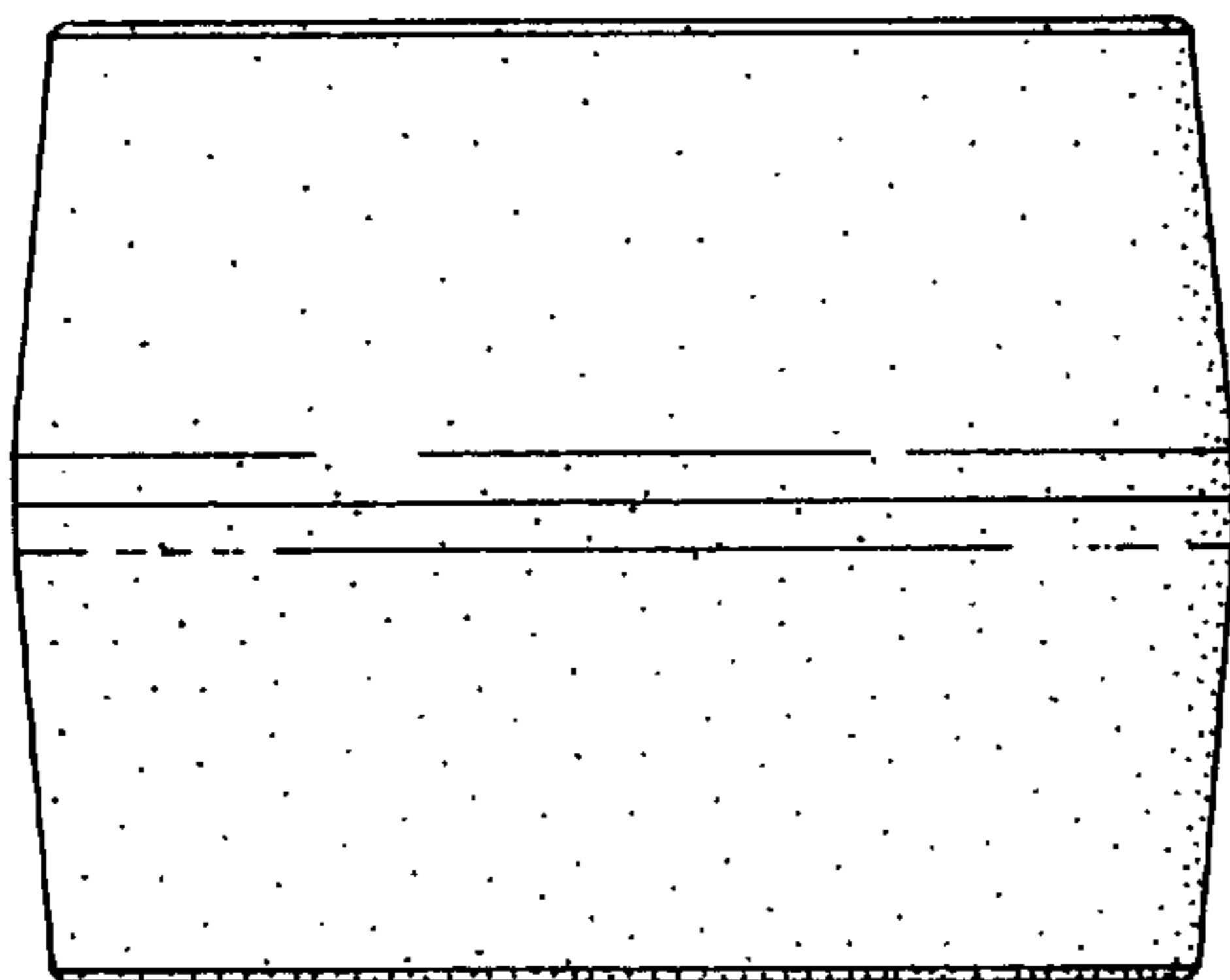


FIG 7

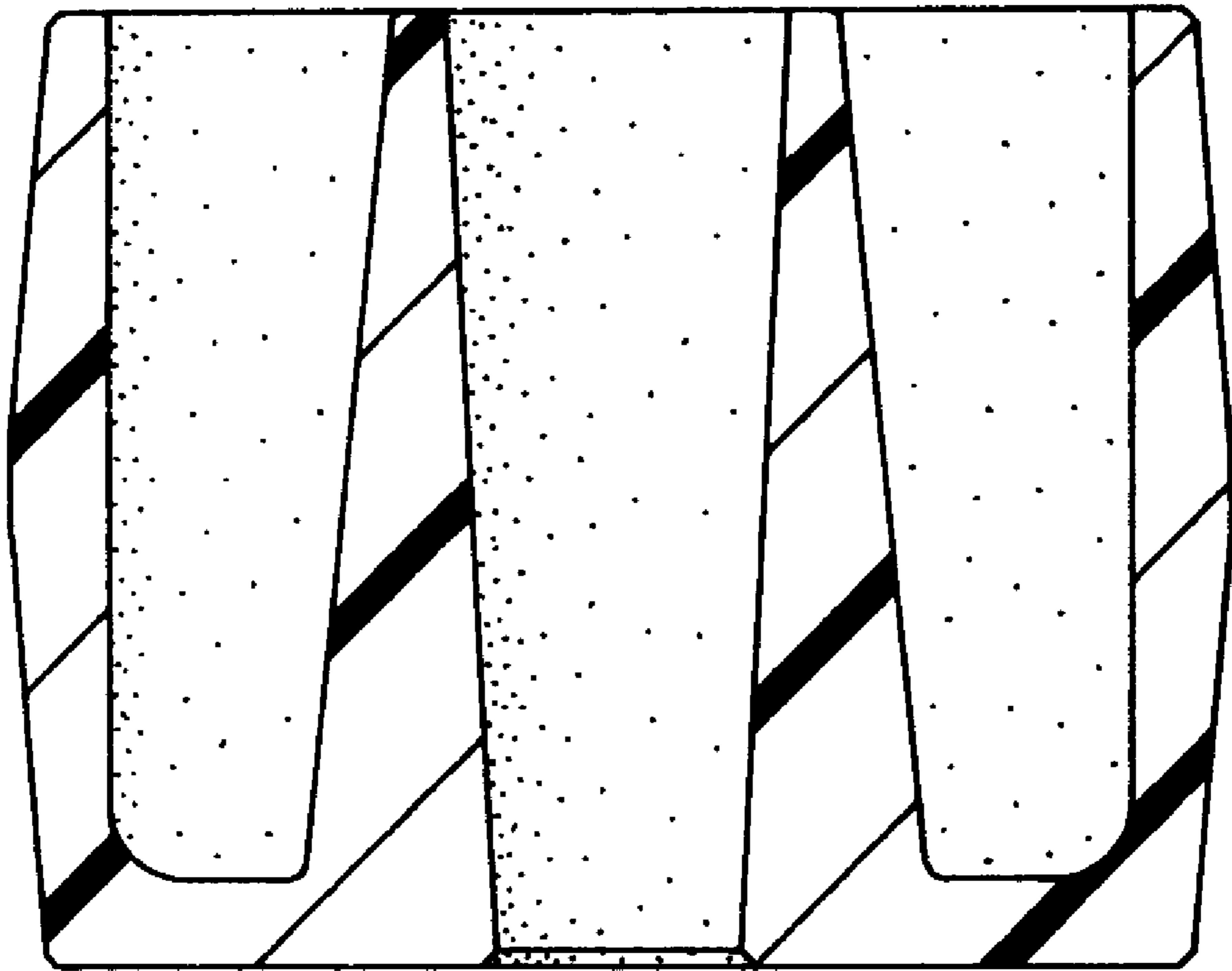


FIG 8