



US00D425209S

**United States Patent** [19]  
**Cox**

[11] **Patent Number: Des. 425,209**

[45] **Date of Patent: \*\* May 16, 2000**

[54] **FOLDING STEP LADDER**

[76] Inventor: **John J. Cox**, 807 South St., Piqua,  
Ohio 45356

[\*\*] Term: **14 Years**

[21] Appl. No.: **29/107,915**

[22] Filed: **Jul. 15, 1999**

[51] **LOC (7) Cl.** ..... **25-04**

[52] **U.S. Cl.** ..... **D25/64**

[58] **Field of Search** ..... D25/64, 65; 182/23,  
182/22, 194

[56] **References Cited**

**U.S. PATENT DOCUMENTS**

D. 300,365 3/1989 Wallick, Jr. et al. .... D25/64  
3,912,043 10/1975 Brannan ..... 182/23

*Primary Examiner*—Doris Clark  
*Attorney, Agent, or Firm*—Jacox, Meckstroth & Jenkins

[57] **CLAIM**

The ornamental design of a folding step ladder, as shown and described.

**DESCRIPTION**

FIG. 1 is a perspective view of a folding step ladder showing my new design in its unfolded position;  
FIG. 2 is a front view thereof;  
FIG. 3 is a rear view thereof;  
FIG. 4 is a side view thereof, the opposite side view being a mirror image;  
FIG. 5 is a top view thereof;  
FIG. 6 is a bottom view thereof; and,  
FIG. 7 is a perspective view thereof in a folded position.

**1 Claim, 4 Drawing Sheets**

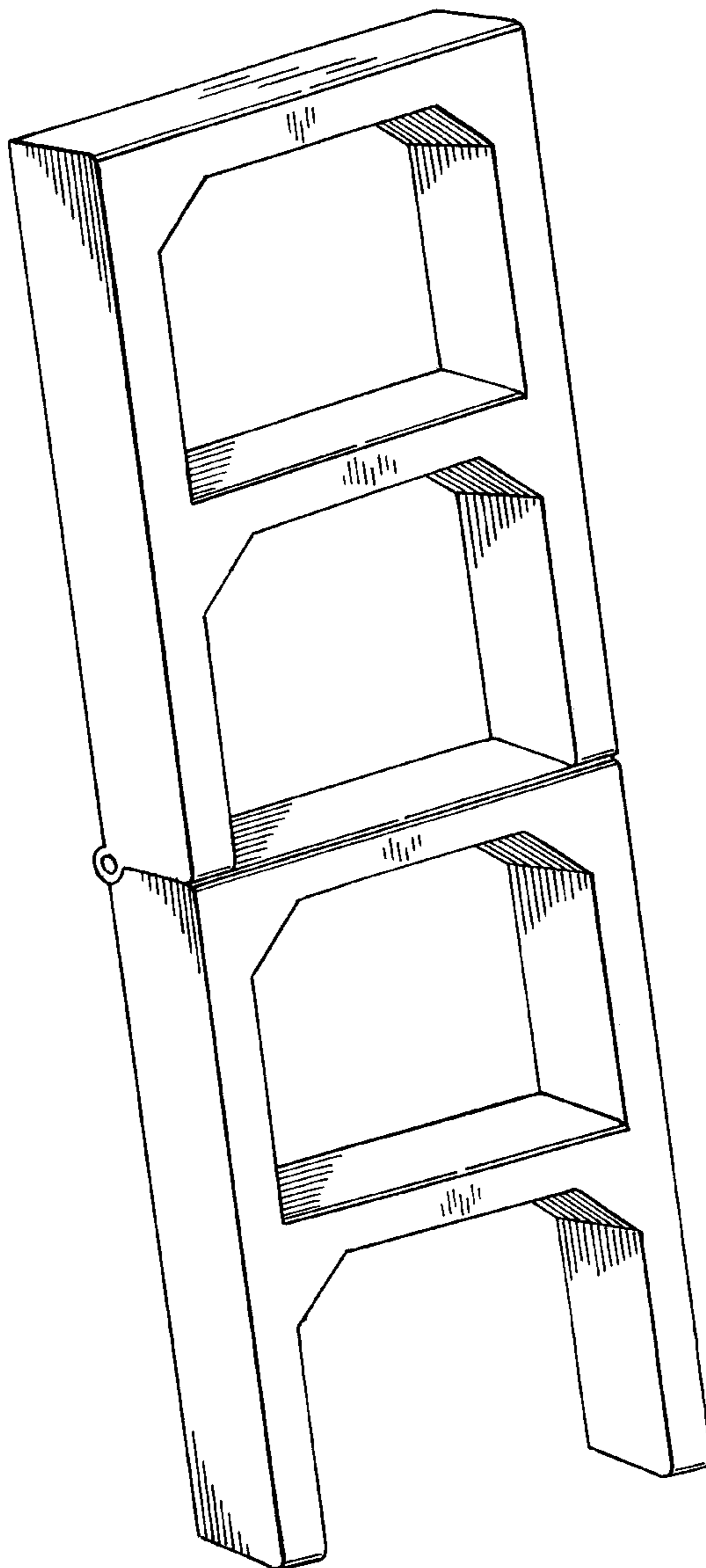


FIG-1

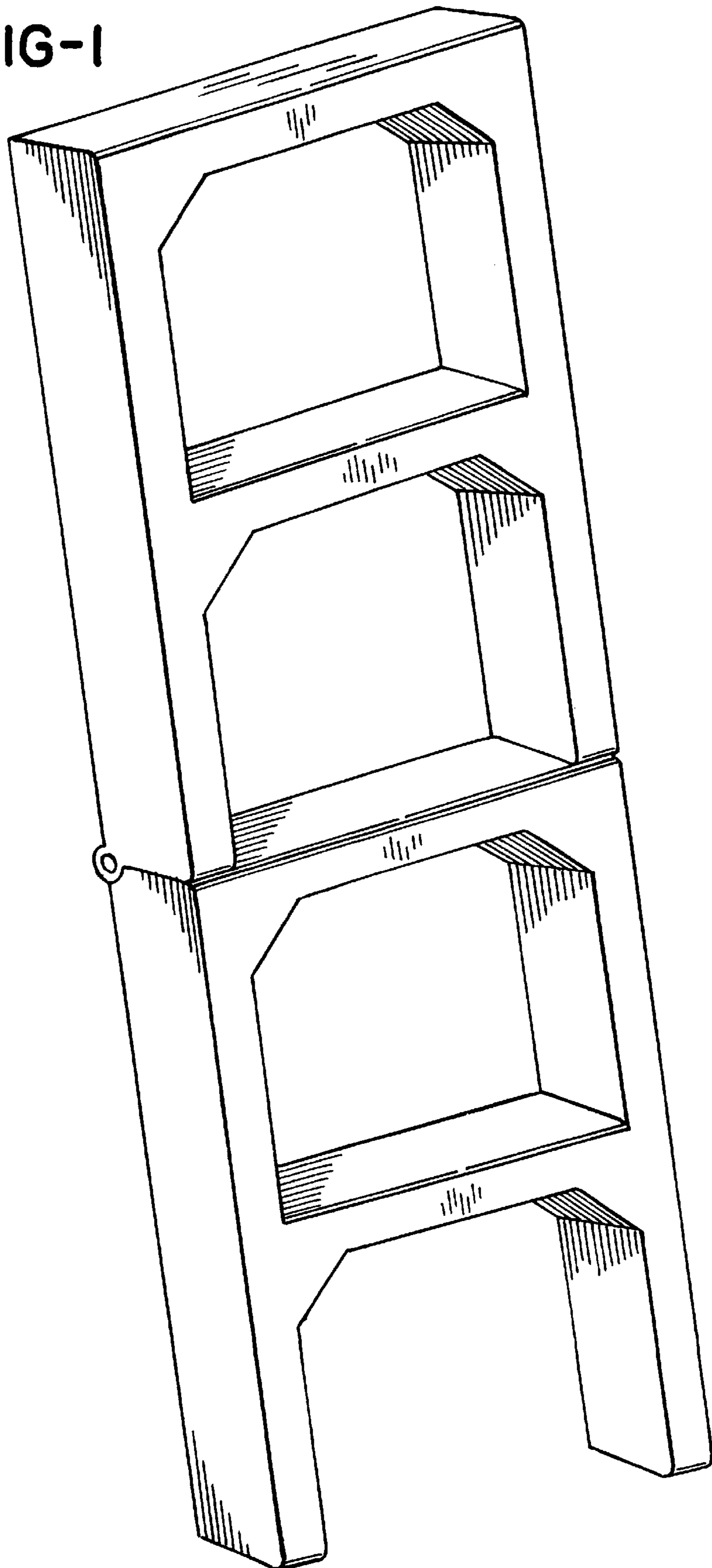


FIG-2

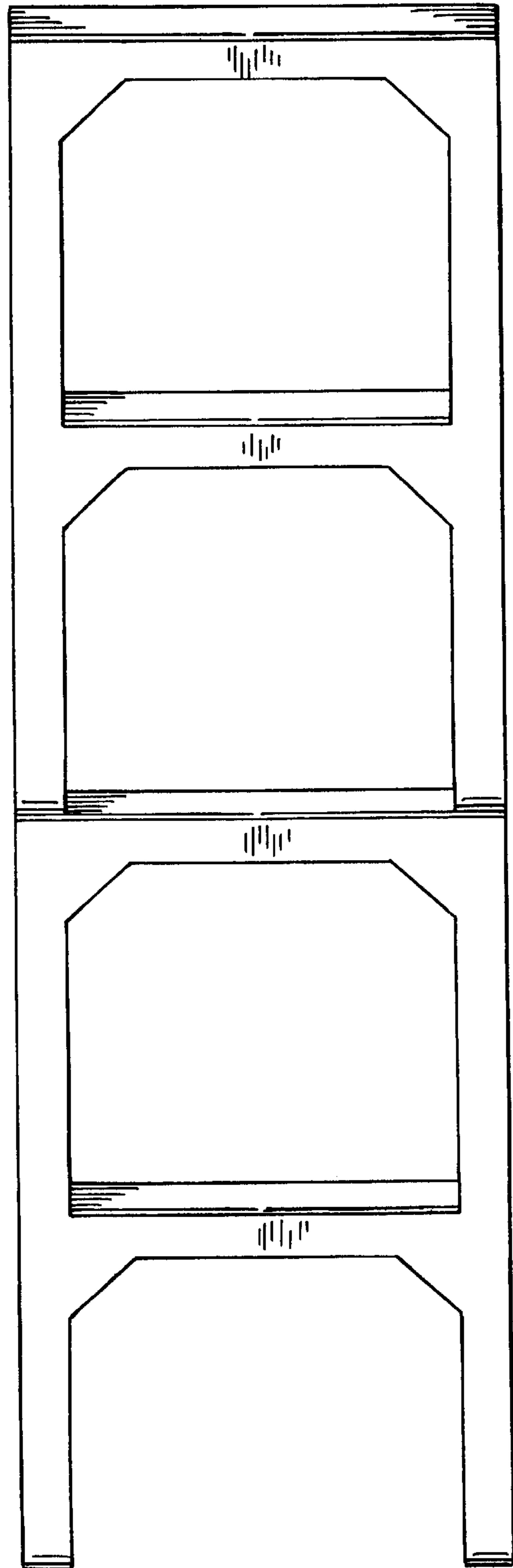
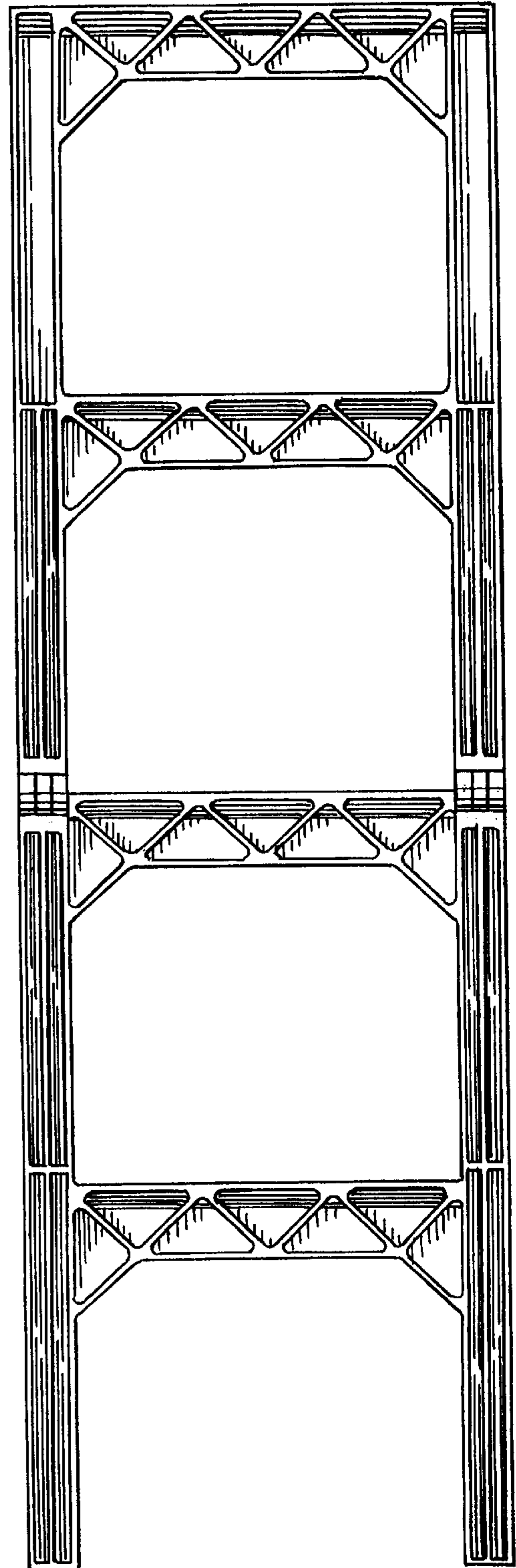


FIG-3



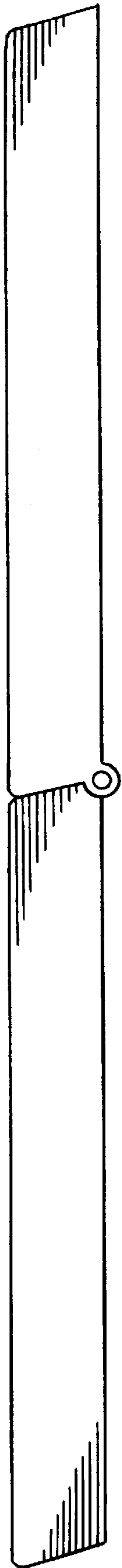


FIG-4

FIG-5

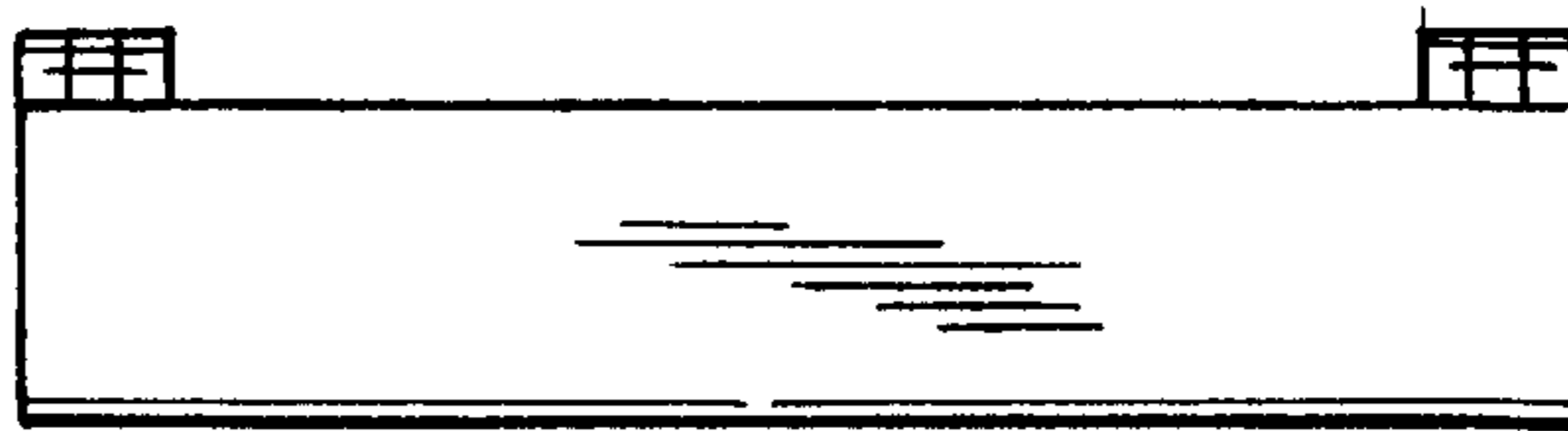


FIG-6

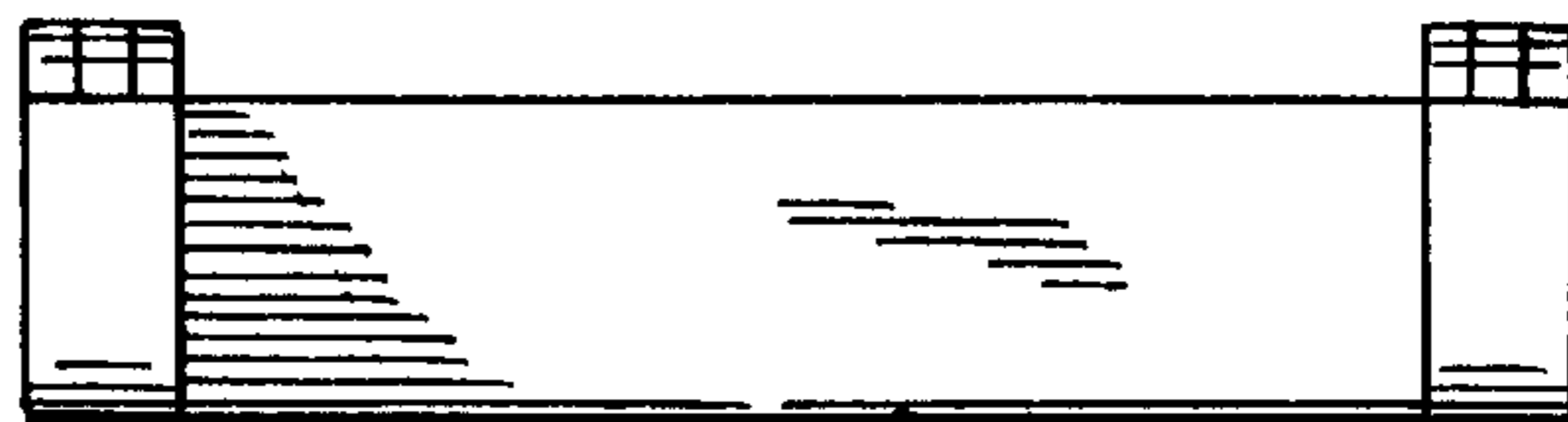


FIG-7

