



US00D425205S

United States Patent [19]

Henigan et al.

[11] Patent Number: **Des. 425,205**

[45] Date of Patent: **** May 16, 2000**

[54] **LYOPHILIZATION CONTAINER**

[75] Inventors: **Lawrence F. X. Henigan**, Newark, Del.; **Brian Huebner**, Lake in the Hills, Ill.; **Meagan L. Mizenko**, Newark, Del.; **Edward M. Szczygiel**, North East, Md.; **Ralph D. Zingle**, Philadelphia, Pa.; **Kenneth S. Zukor**, Elkton, Md.

[73] Assignee: **Gore Enterprise Holdings, Inc.**, Newark, Del.

[**] Term: **14 Years**

[21] Appl. No.: **29/100,517**

[22] Filed: **Feb. 11, 1999**

[51] **LOC (7) Cl.** **24-01**

[52] **U.S. Cl.** **D24/216; D24/224**

[58] **Field of Search** D24/216, 224, D24/121; D9/523; 604/403, 409, 407, 415, 416, 414; 206/504, 221, 219; 215/380, DIG. 3, 364; 422/102

[56] **References Cited**

U.S. PATENT DOCUMENTS

D. 285,725 9/1986 Franchere D24/224

D. 375,565 11/1996 Autrey et al. D24/224
3,945,523 3/1976 Wertlake et al. 215/380
5,084,040 1/1992 sutter 604/403
5,309,649 5/1994 Bergmann et al. 34/284

Primary Examiner—Ian Simmons
Attorney, Agent, or Firm—Carol A. Lewis White

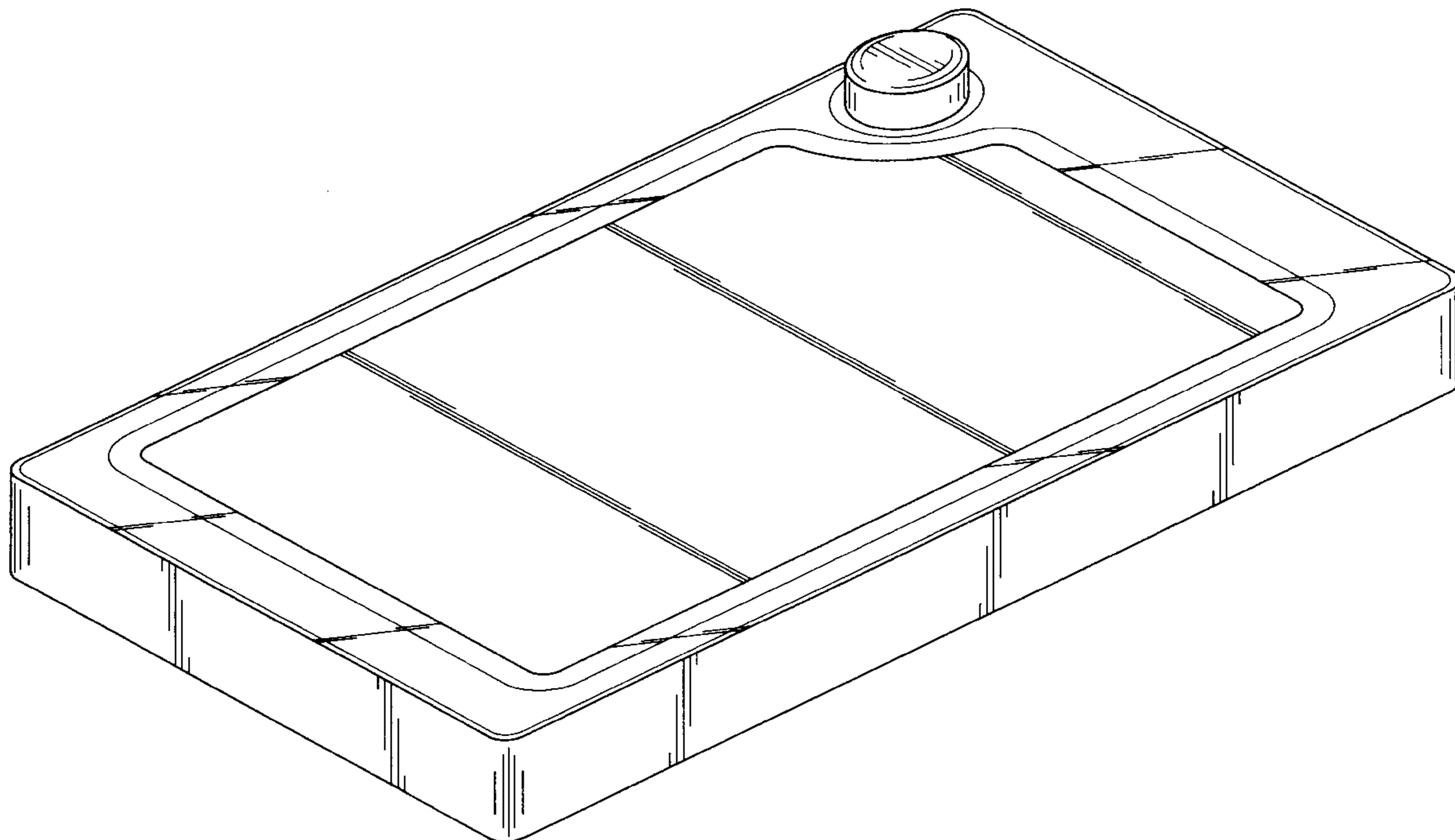
[57] **CLAIM**

The ornamental design for a lyophilization container, as shown and described.

DESCRIPTION

FIG. 1 is a top view of a lyophilization container showing our design;
FIG. 2 is a bottom view thereof;
FIG. 3 is an end view thereof;
FIG. 4 is the opposite end view thereof;
FIG. 5 is a side view thereof;
FIG. 6 is the opposite side view thereof; and,
FIG. 7 is a perspective view thereof.

1 Claim, 5 Drawing Sheets



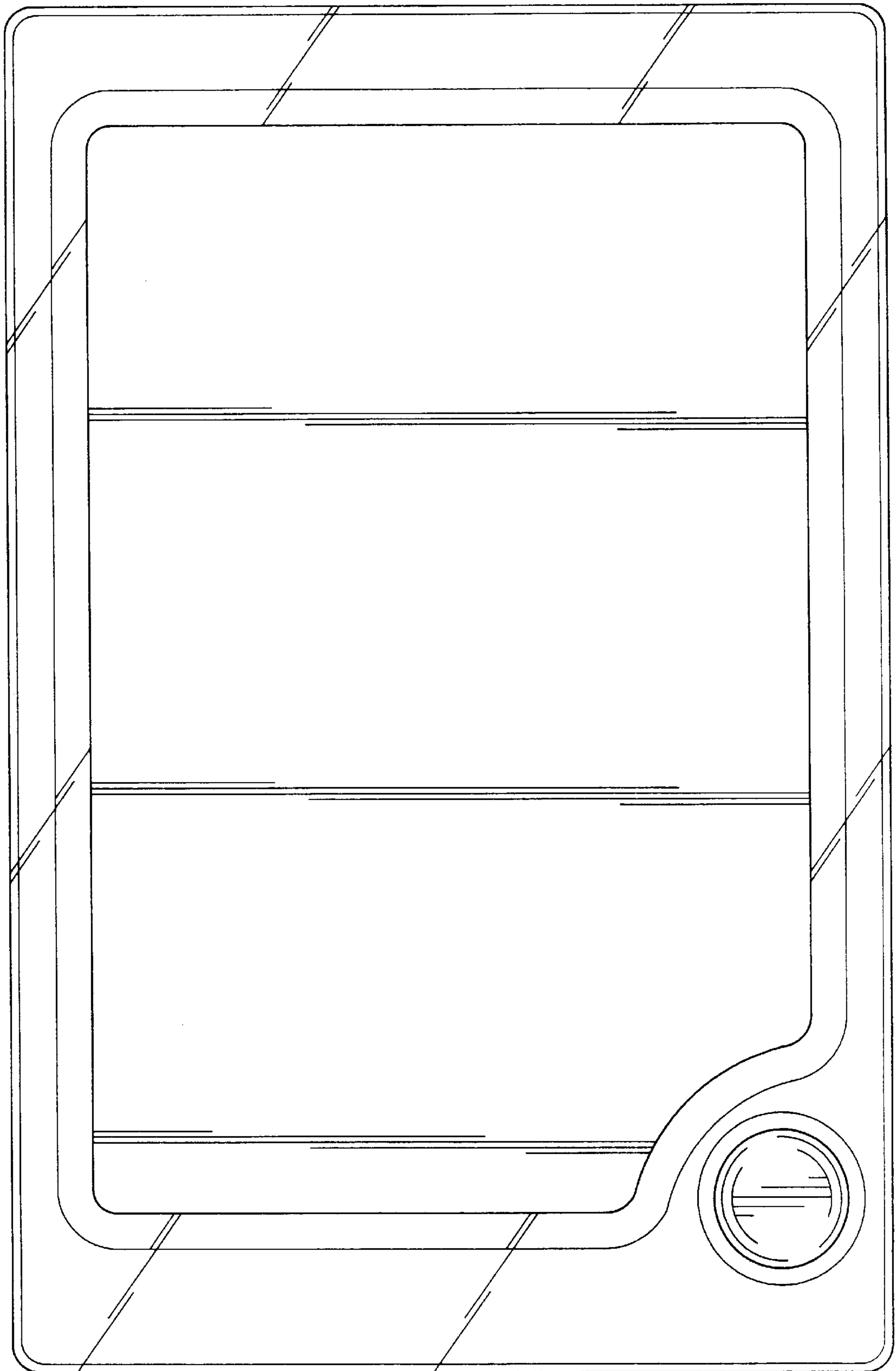


FIG. 1

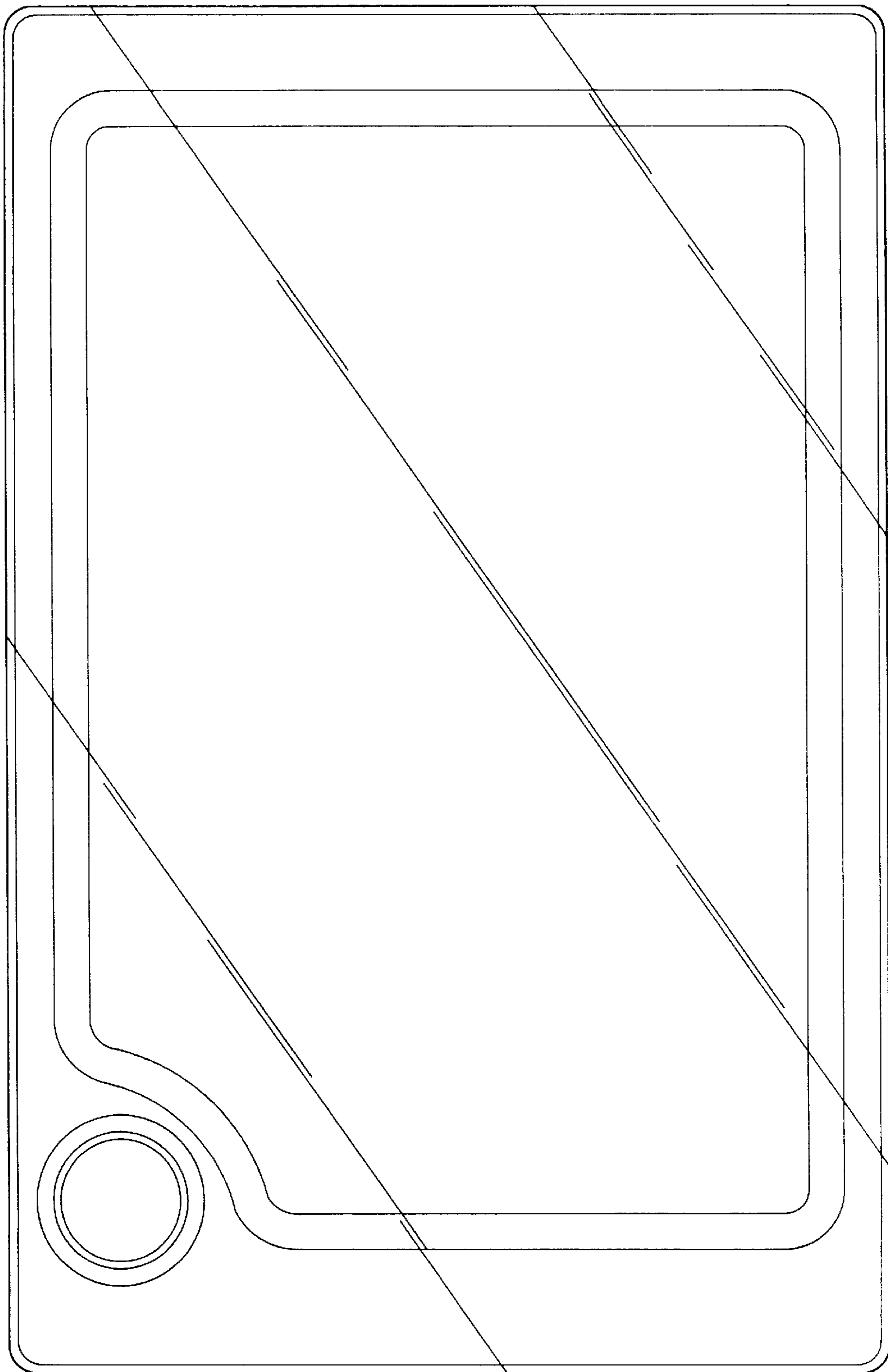


FIG. 2

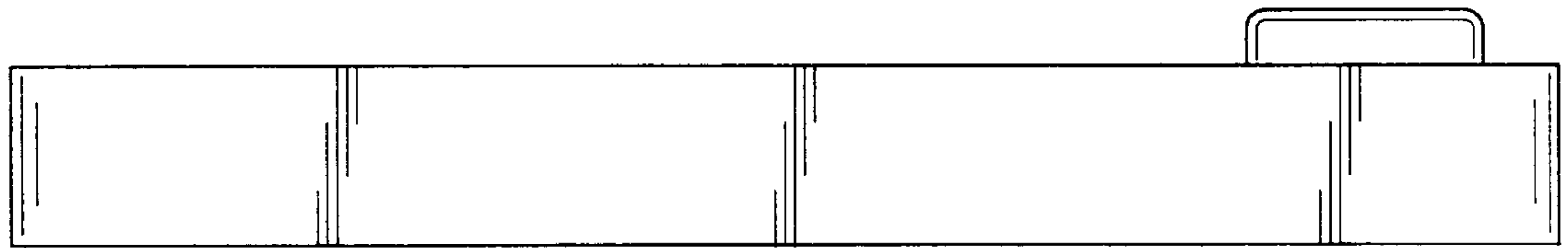


FIG. 3

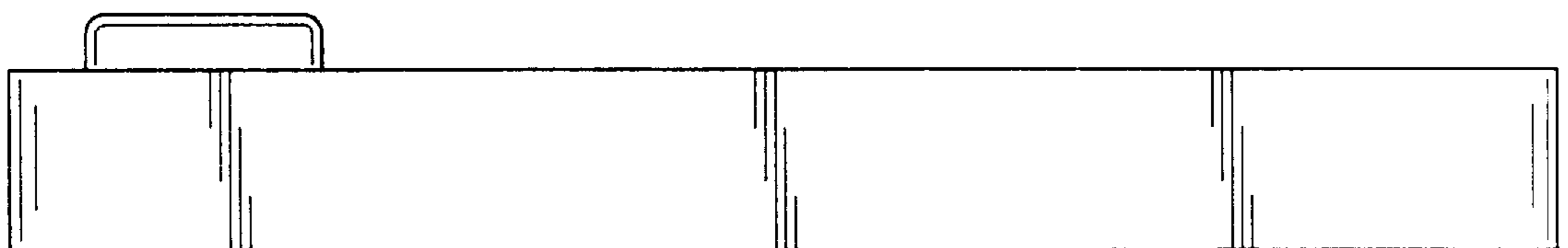


FIG. 4

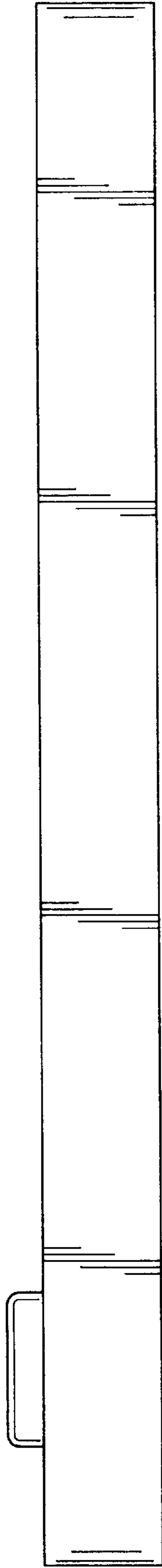


FIG. 5

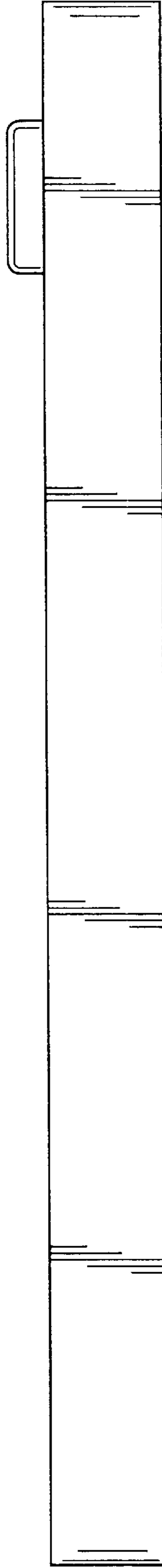


FIG. 6

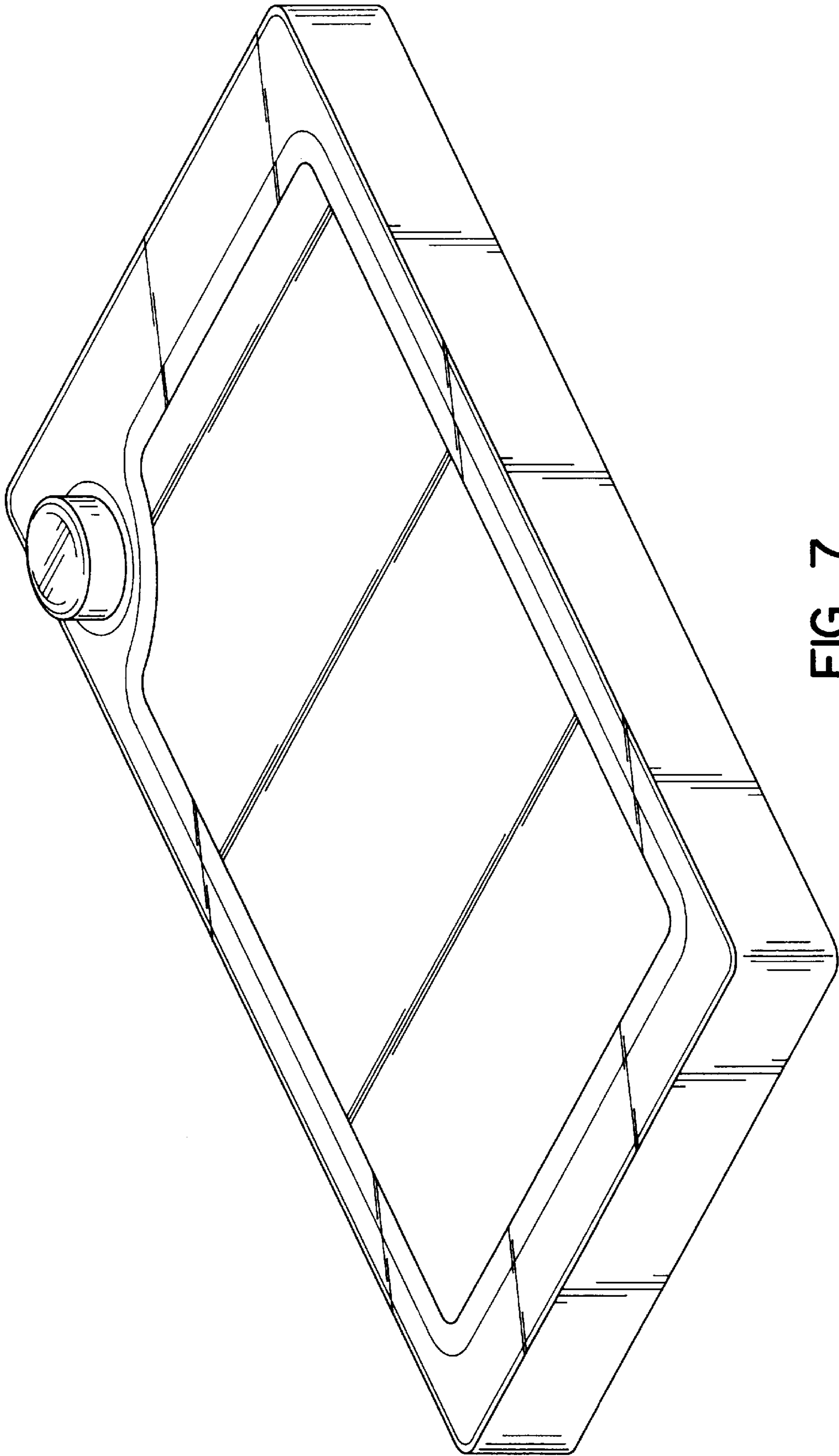


FIG. 7