



US00D425200S

United States Patent [19]
Segermark et al.

[11] **Patent Number: Des. 425,200**

[45] **Date of Patent: ** May 16, 2000**

[54] **SURGICAL ACCESS HOIST**

[75] Inventors: **James Segermark**, Gem Lake; **Chris Herman**, White Bear Lake, both of Minn.

[73] Assignee: **ViaMedics, LLC**, White Bear Lake, Minn.

[**] Term: **14 Years**

[21] Appl. No.: **29/106,637**

[22] Filed: **Jun. 15, 1999**

[51] **LOC (7) Cl.** **24-02**

[52] **U.S. Cl.** **D24/135**

[58] **Field of Search** D24/135; 600/201, 600/208, 210, 214, 215, 216, 217, 222, 224, 225

[56] **References Cited**

U.S. PATENT DOCUMENTS

D. 319,502 8/1991 Michelson D24/135

D. 403,066	12/1998	DeFonzo	D24/135
D. 411,617	6/1999	Furnish	D24/135
5,088,472	2/1992	Fakhrai	600/214
5,616,117	4/1997	Dinkler et al.	600/232
5,776,054	7/1998	Bobra	600/219

Primary Examiner—Eric Watterson
Attorney, Agent, or Firm—Fredrikson & Byron, P.A.

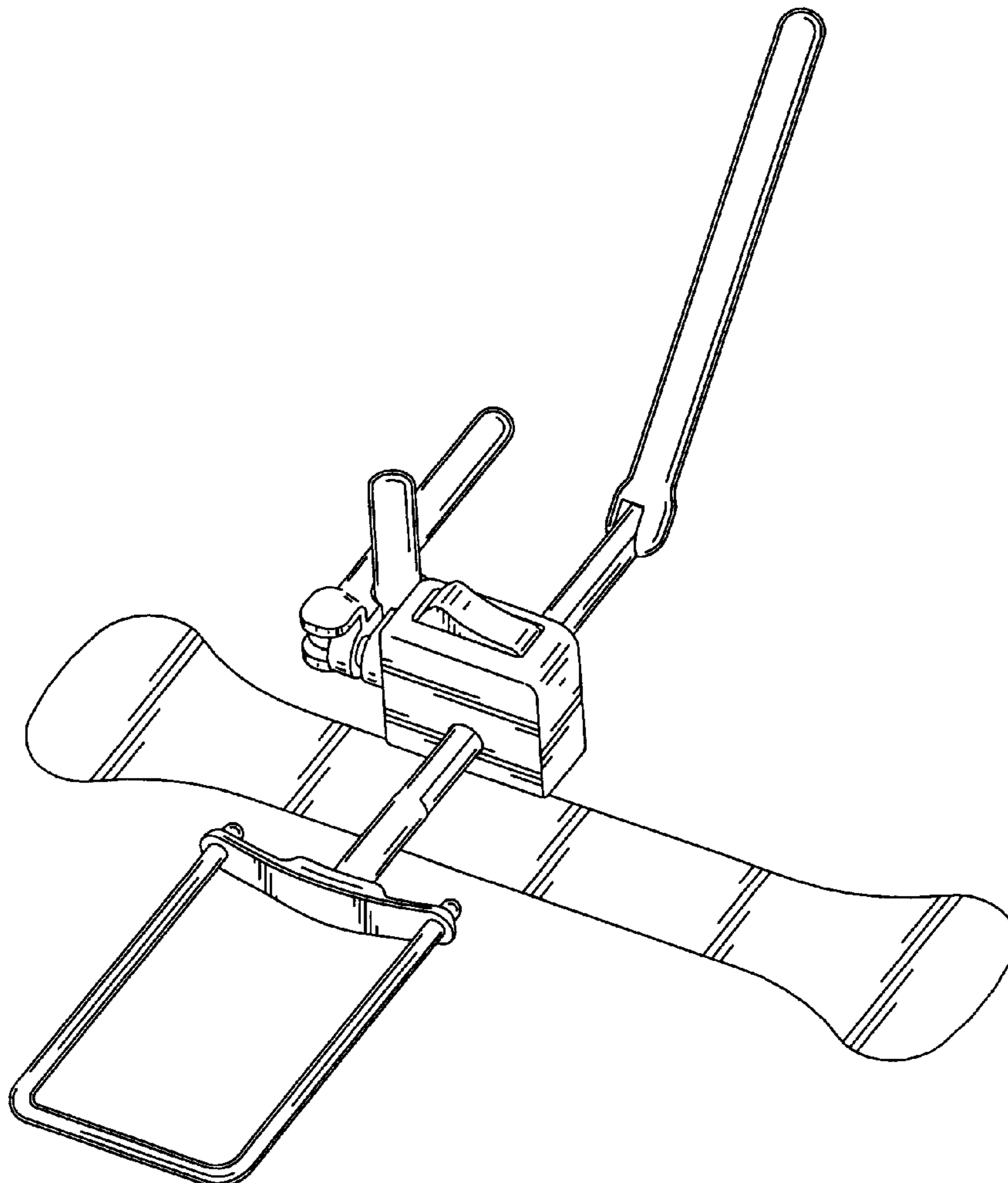
[57] **CLAIM**

The ornamental design for a surgical access hoist, as shown and described.

DESCRIPTION

FIG. 1 is a to perspective view of a surgical access hoist of the invention;
FIG. 2 is a to elevational view of FIG. 1;
FIG. 3 is a bottom elevational view of FIG. 1;
FIG. 4 is a left elevational view of FIG. 1;
FIG. 5 is a right elevational view of FIG. 1;
FIG. 6 is a front elevational view of FIG. 1; and,
FIG. 7 is a rear elevational view of FIG. 1.

1 Claim, 5 Drawing Sheets



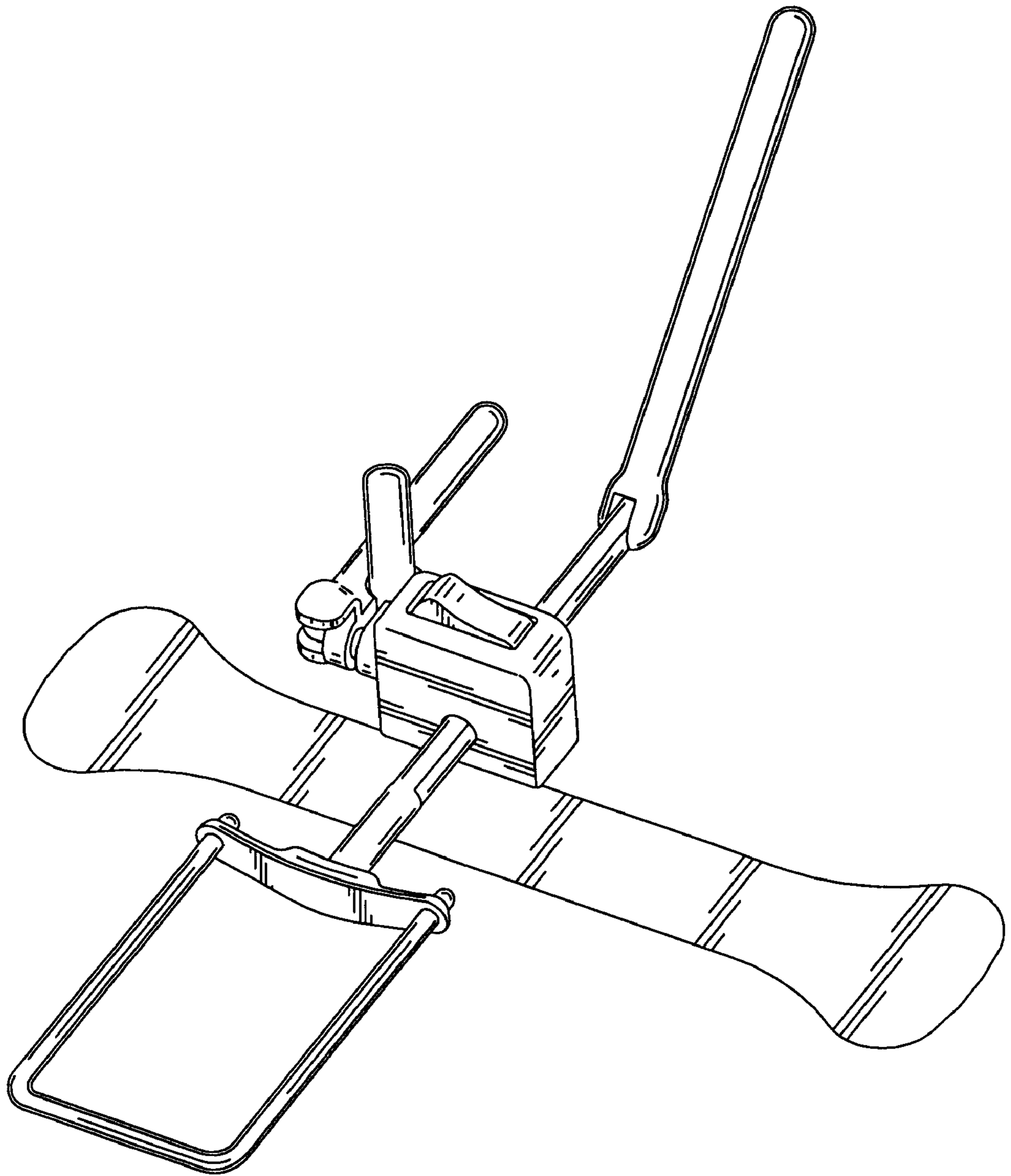


FIG. 1

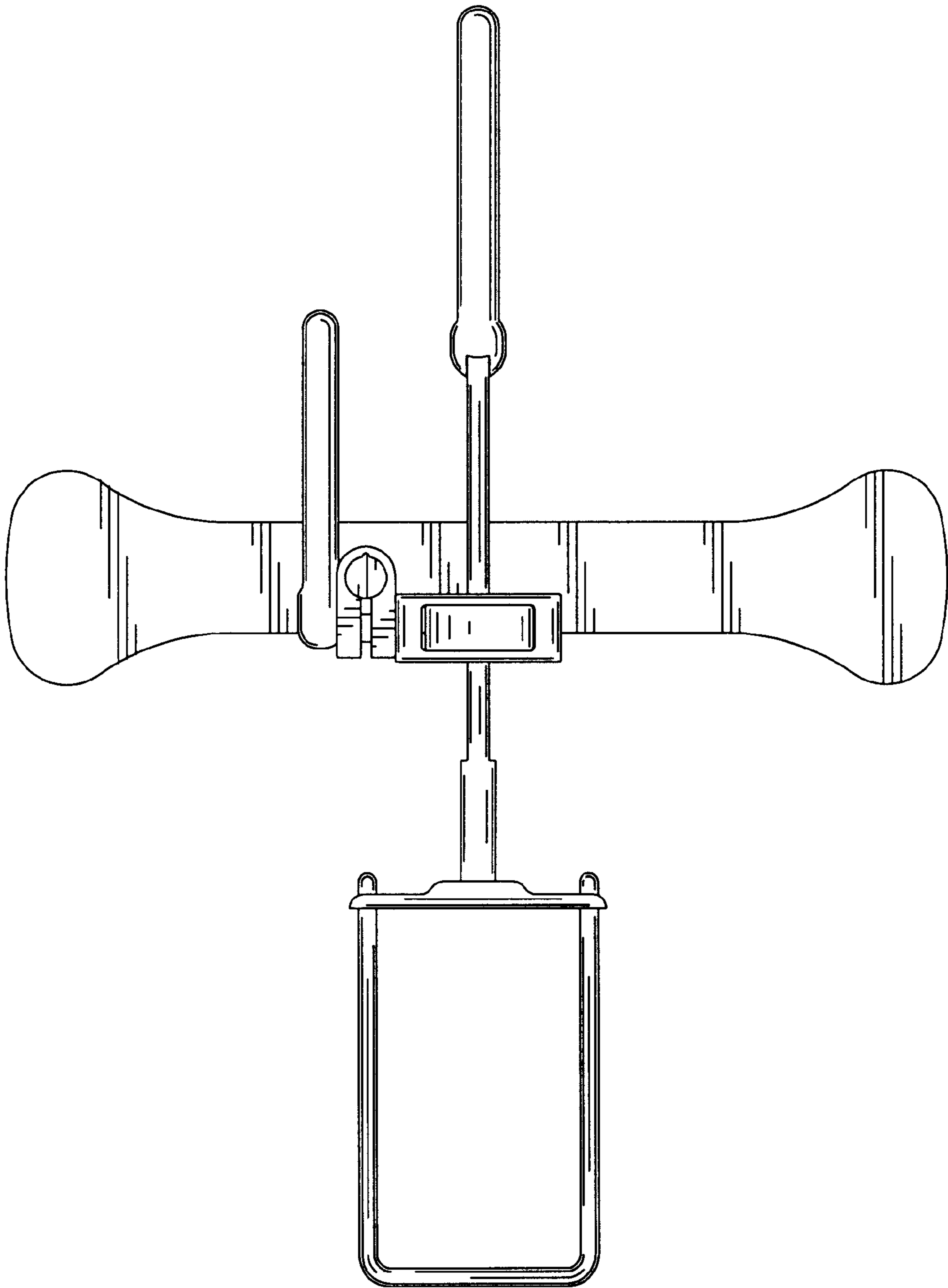


FIG. 2

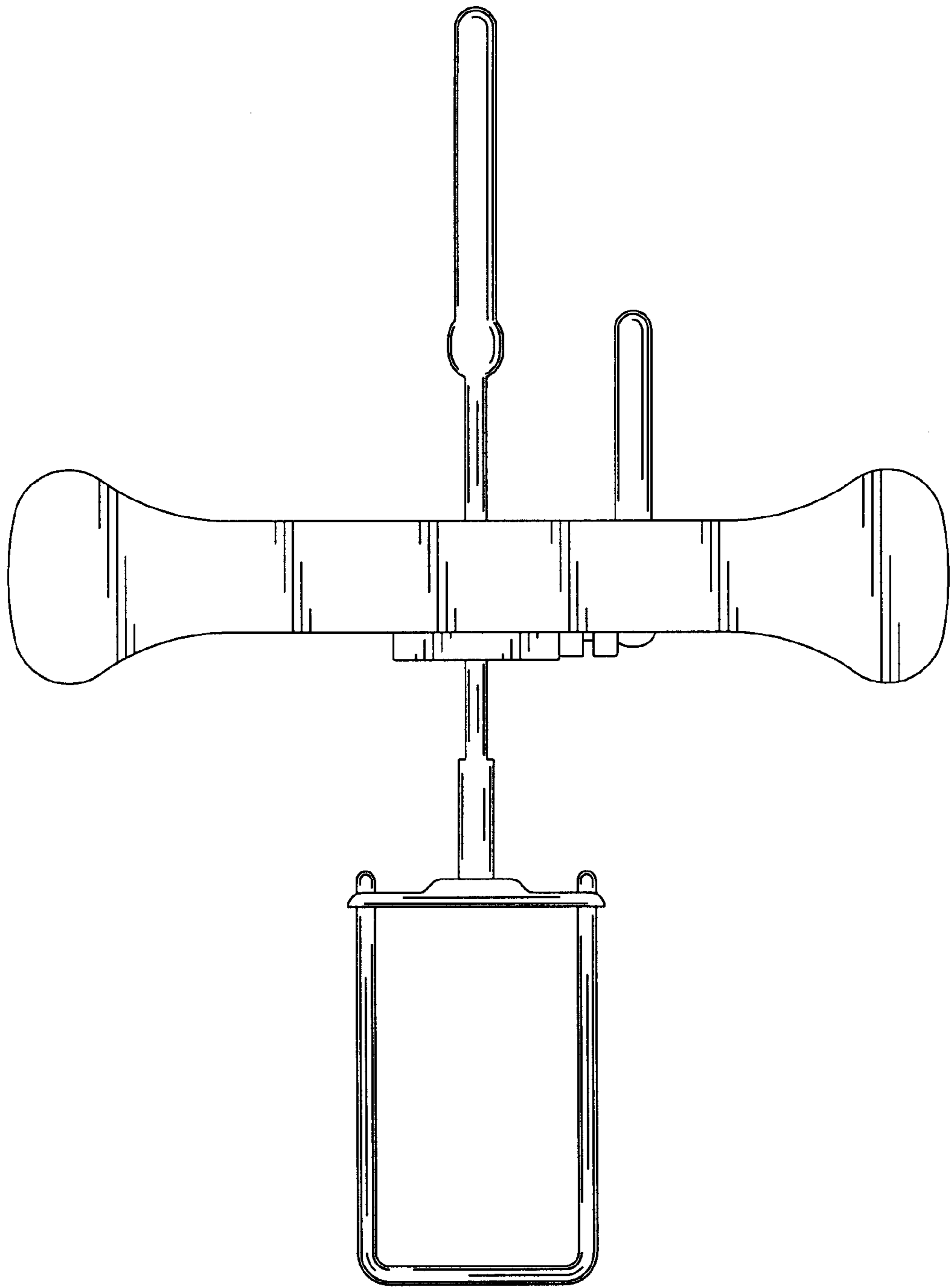


FIG. 3

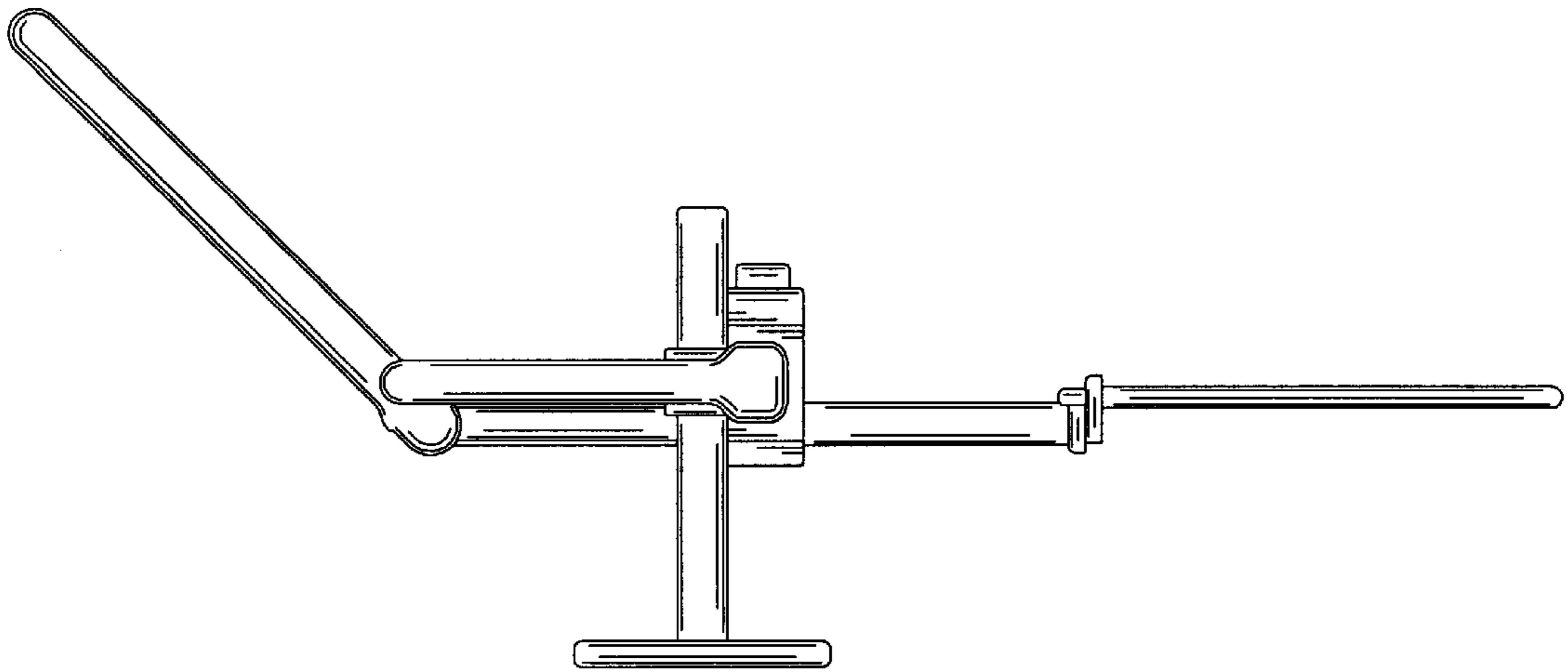


FIG. 4

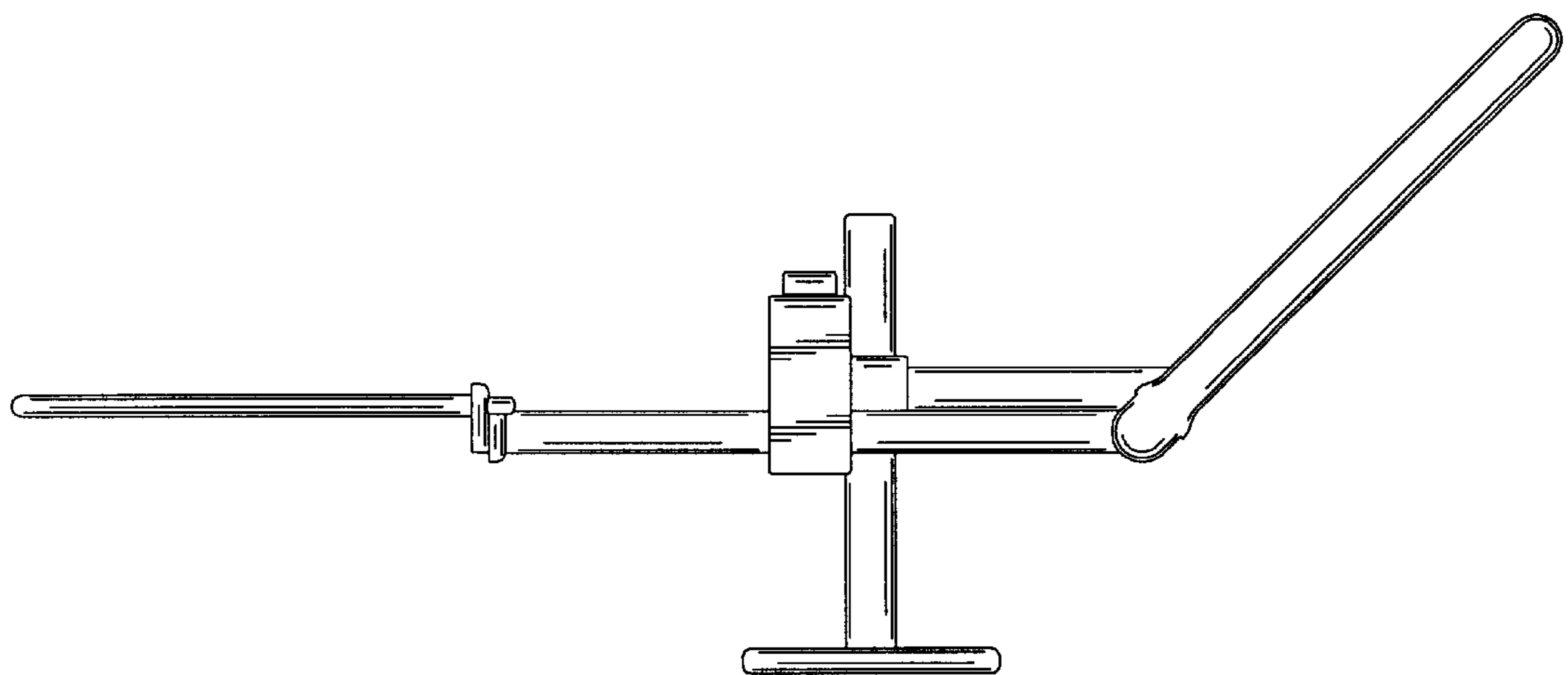


FIG. 5

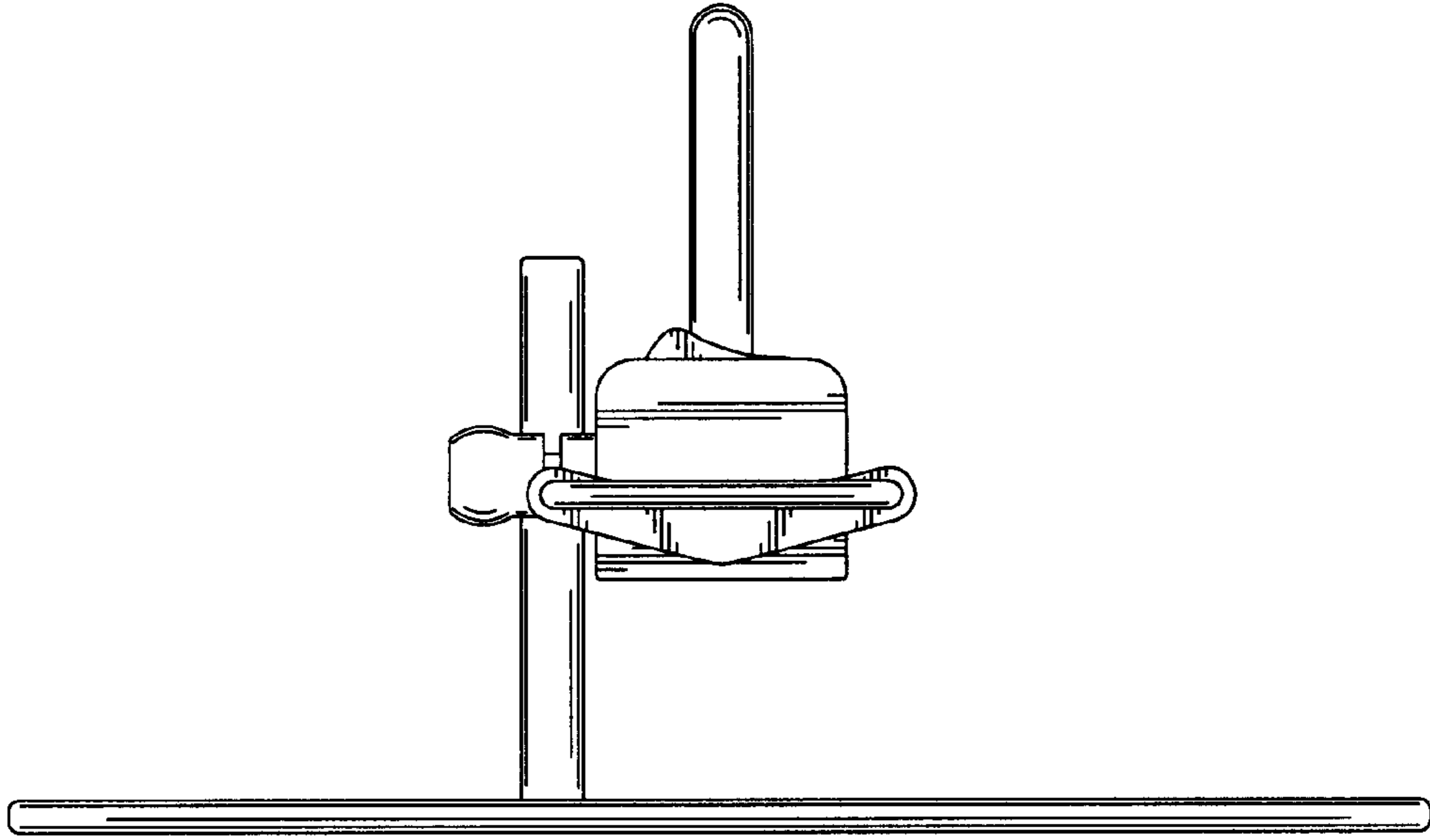


FIG. 6

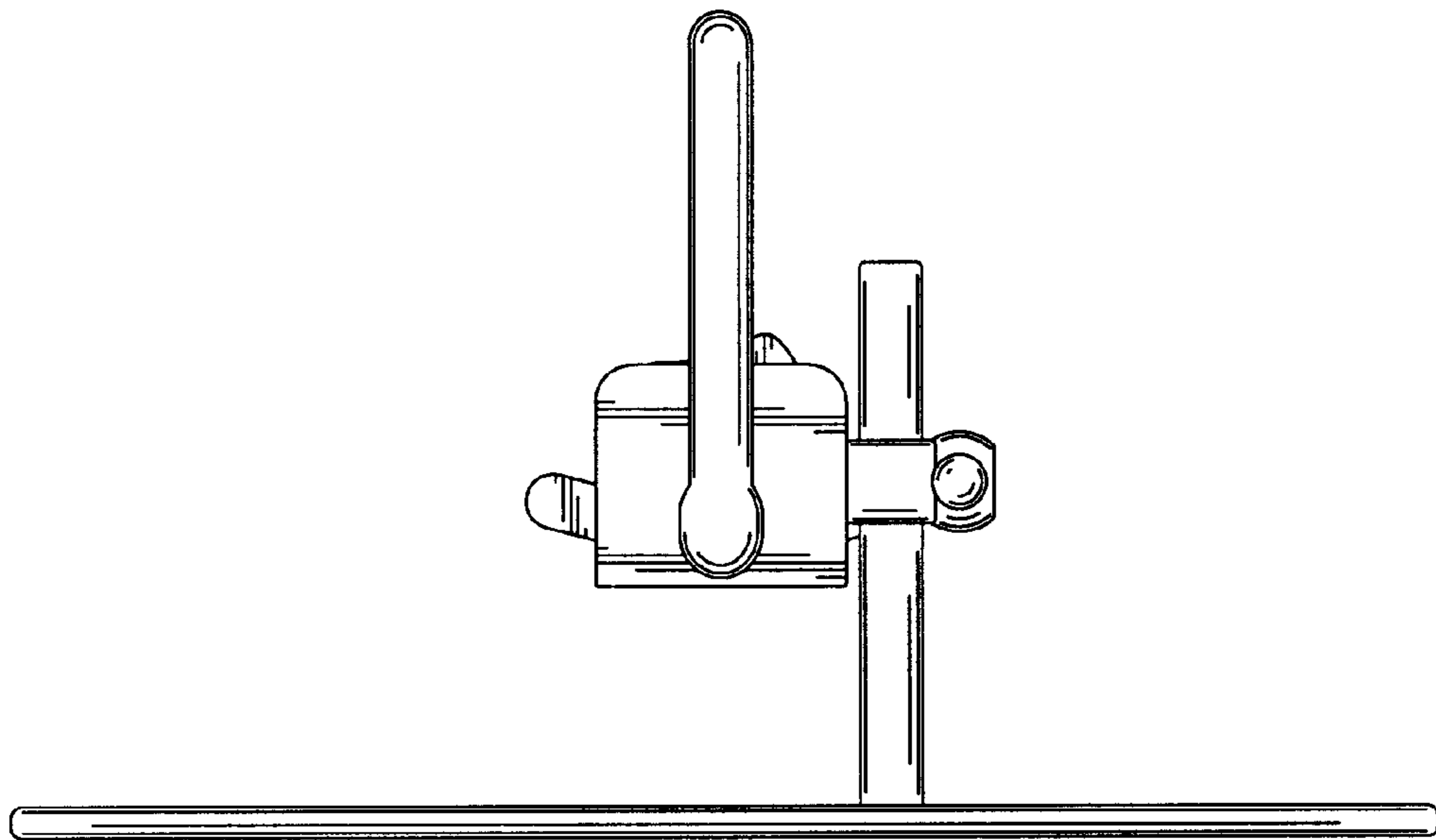


FIG. 7