



US00D425197S

United States Patent [19]

[11] **Patent Number: Des. 425,197**

Comer et al.

[45] **Date of Patent: ** May 16, 2000**

[54] **NEEDLE REINSERTION DEVICE FOR USE WITH MEDICAL SYRINGES**

5,183,469	2/1993	Capaccio	604/192
5,356,385	10/1994	Latini	604/110
5,564,565	10/1996	Yamada	206/365
5,607,403	3/1997	Kretzschmar et al.	604/263
5,797,885	8/1998	Rubin	604/192

[75] Inventors: **Frank Comer**, Apopka, Fla.; **Monty Mong Chen Fu**, Canyon Country, Calif.; **Richard Lewis Green**, Simi Valley, Calif.; **Bing Bing Zhu**, Granada Hills, Calif.

OTHER PUBLICATIONS

P. 23 of a publication by Syncor dated "Spring 1998" regarding "The Recapper".

[73] Assignee: **Syncor International Corporation**, Woodland Hills, Calif.

Primary Examiner—Stella Reid
Attorney, Agent, or Firm—Sheppard, Mullin, Richter & Hampton LLP

[**] Term: **14 Years**

[21] Appl. No.: **29/089,296**

[57] CLAIM

[22] Filed: **Jun. 11, 1998**

The ornamental design for a needle reinsertion device for use with medical syringes, as shown and described.

[51] **LOC (7) Cl.** **24-01**

DESCRIPTION

[52] **U.S. Cl.** **D24/130**

[58] **Field of Search** D24/130; 604/110, 604/192, 197, 198, 199, 263; 206/365

FIG. 1 is a perspective view of a needle reinsertion device for use with medical syringes, embodying our new design, the broken line showing is for illustrative purposes only and forms no part of the claimed design.

[56] References Cited

U.S. PATENT DOCUMENTS

D. 323,392	1/1992	Byrne	D24/130
D. 351,905	10/1994	Lee, Jr.	D24/130
D. 353,194	12/1994	Walton et al.	D24/130
D. 358,885	5/1995	Benson et al.	D24/130
D. 370,062	5/1996	Tucker	D24/130
4,737,149	4/1988	Gillilan	604/192

FIG. 2 is a front side elevational view thereof, which is identical to the rear, left and right side elevational views thereof.

FIG. 3 is a top plan view thereof; and,

FIG. 4 is a bottom plan view thereof.

1 Claim, 2 Drawing Sheets

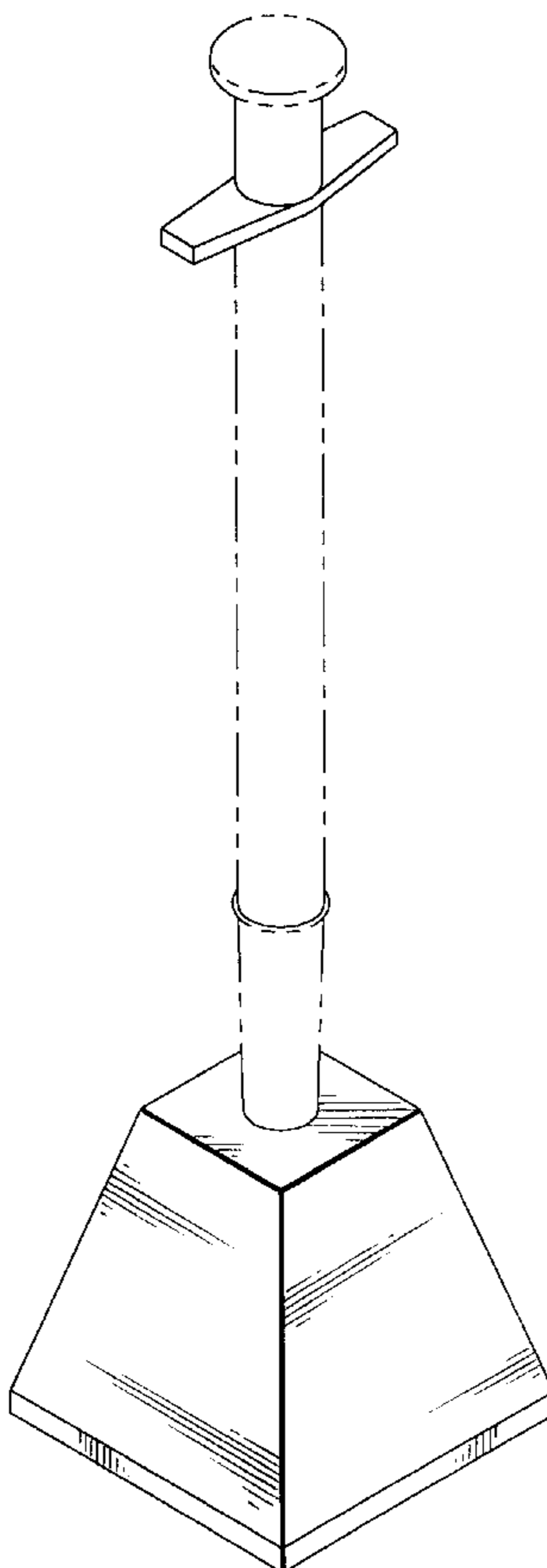
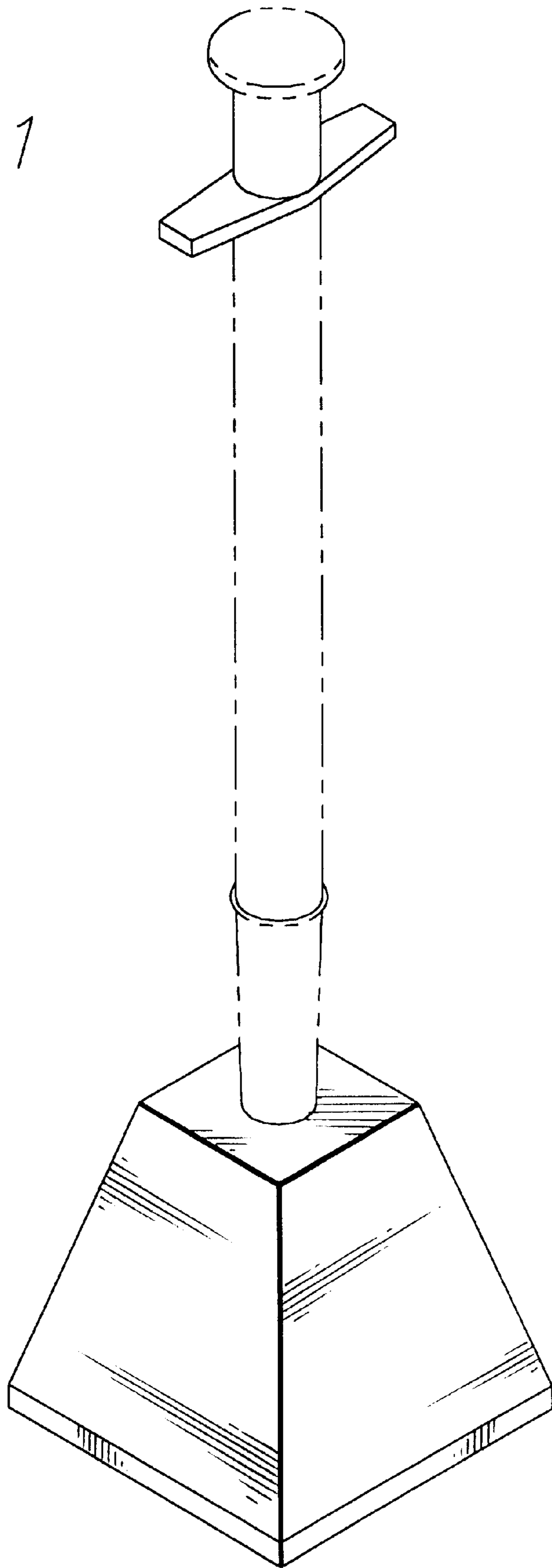


FIG. 1



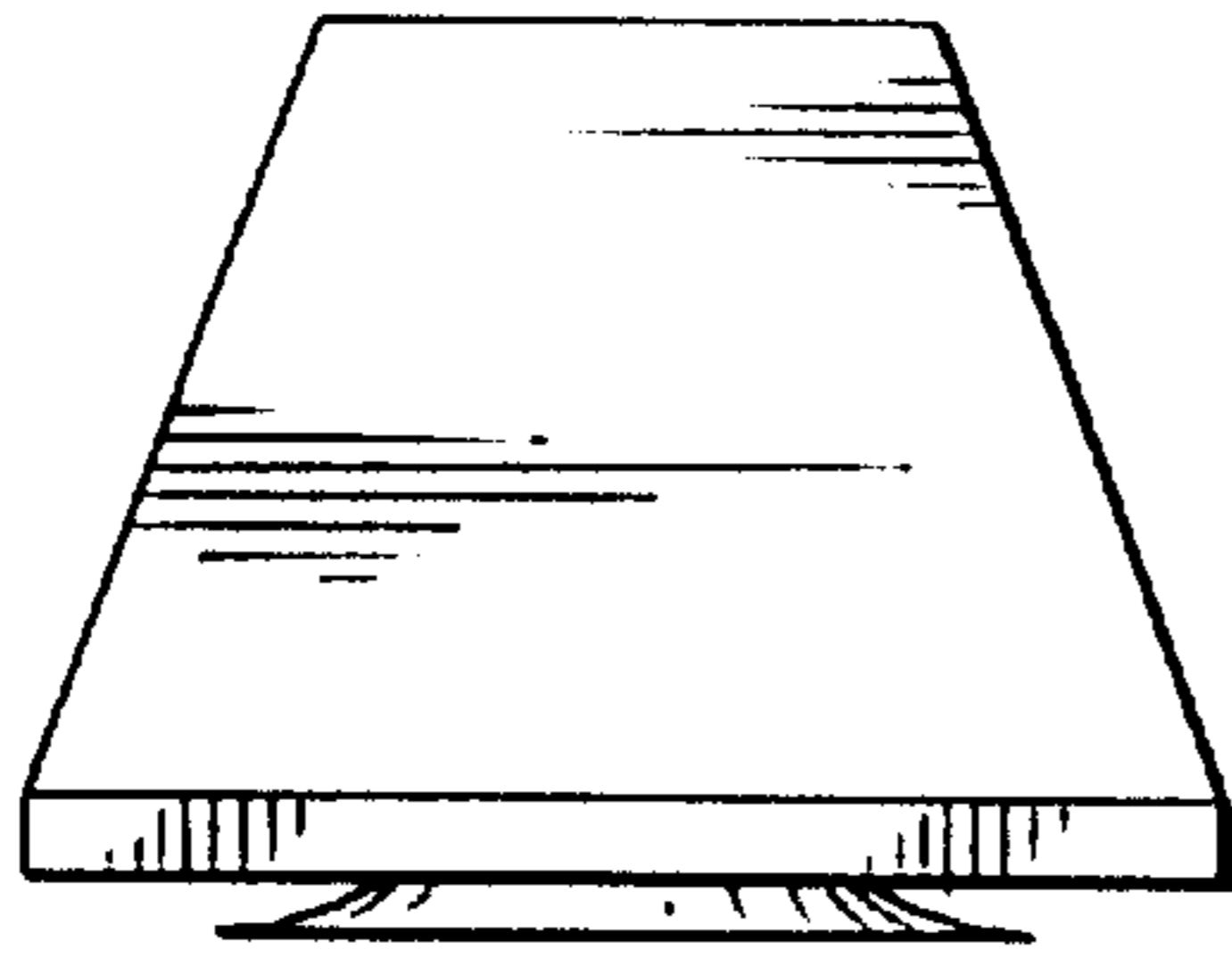


FIG. 2

FIG. 3

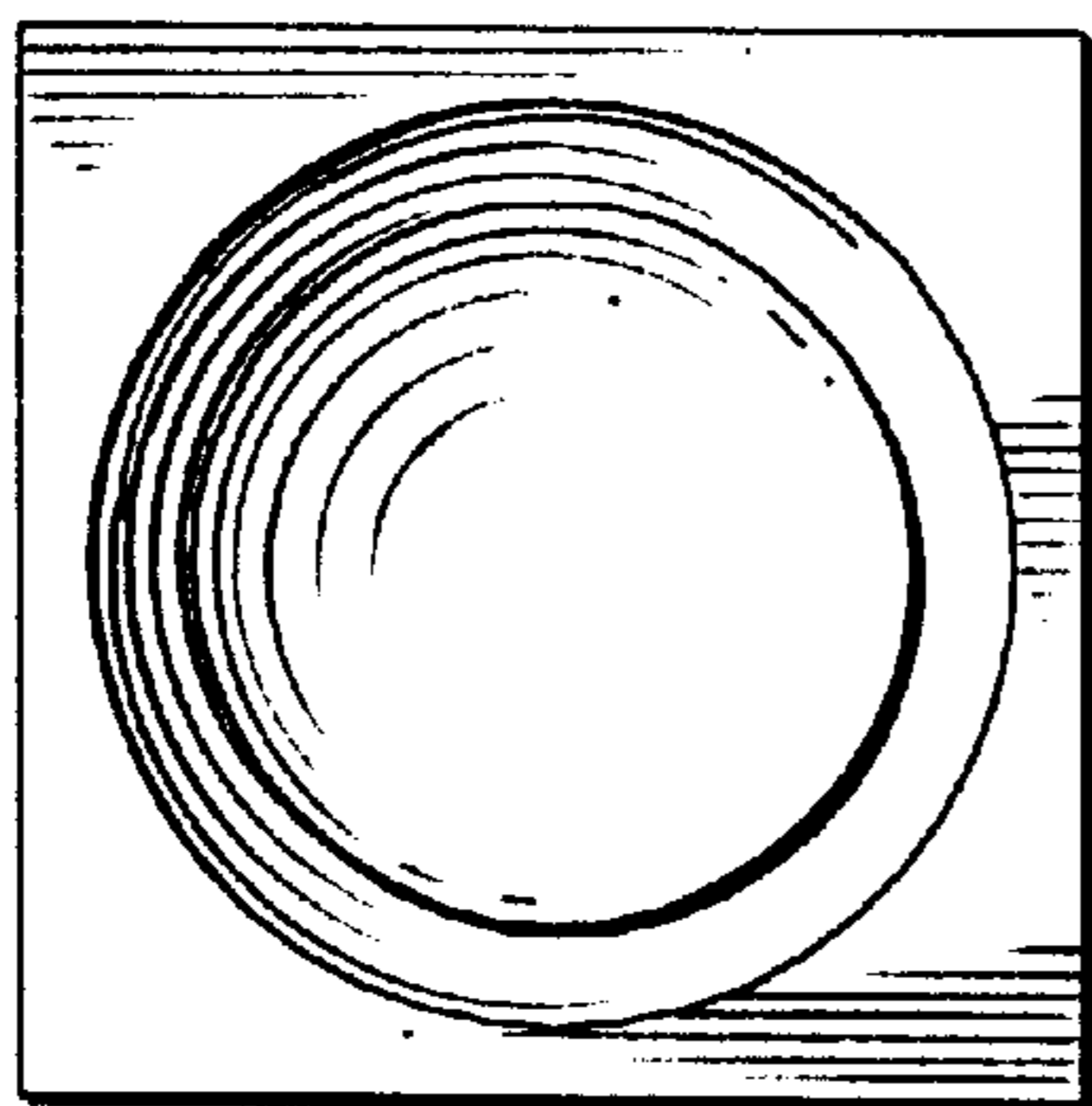
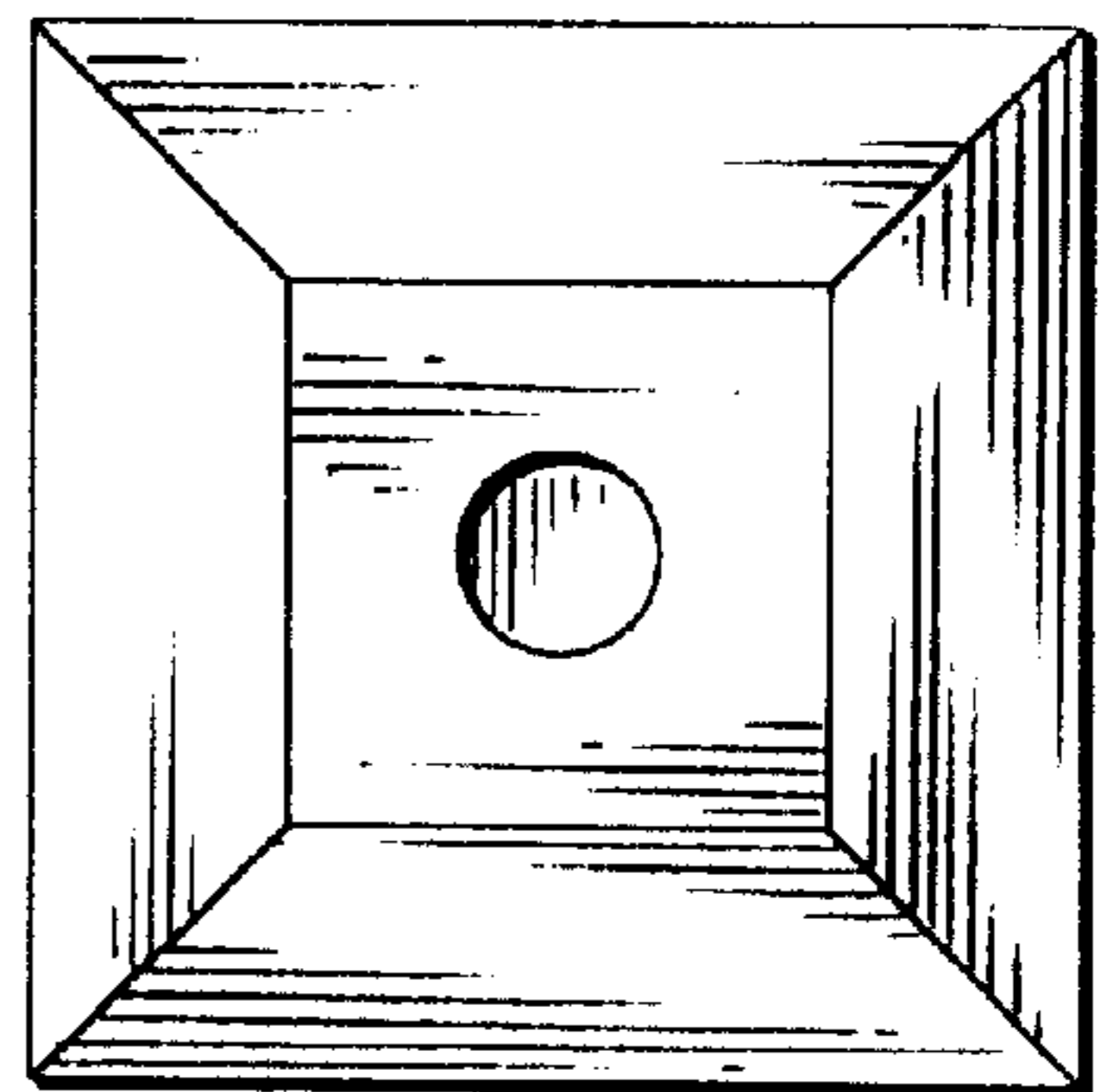


FIG. 4