



US00D425193S

# United States Patent [19] Brewer

[11] **Patent Number: Des. 425,193**

[45] **Date of Patent: \*\* May 16, 2000**

[54] **FRONT PORTION OF A FAN HOUSING**

2,544,281 3/1951 Seil .

[75] Inventor: **Doug Brewer**, Chicago, Ill.

*Primary Examiner*—Lisa Lichtenstein  
*Attorney, Agent, or Firm*—Hoffmann & Baron, LLP;  
Francis E. Marino

[73] Assignee: **Holmes Products, Corp.**, Milford, Mass.

[\*\*] Term: **14 Years**

### [57] CLAIM

[21] Appl. No.: **29/106,622**

The ornamental design for a front portion of a fan housing, as shown and described.

[22] Filed: **Jun. 17, 1999**

### DESCRIPTION

#### Related U.S. Application Data

[62] Division of application No. 29/097,705, Dec. 11, 1998.

FIG. 1 is a top perspective view of a front portion of a fan housing showing my new design;

[51] **LOC (7) Cl.** ..... **23-04**

FIG. 2 is a front elevation view;

[52] **U.S. Cl.** ..... **D23/411; D23/370; D23/382**

FIG. 3 is a left side elevation view thereof, the right side being a mirror image; and,

[58] **Field of Search** ..... D23/370, 411, D23/381, 382, 378, 332, 328; 416/246 R, 247 R, 208

FIG. 4 is a top perspective view thereof.

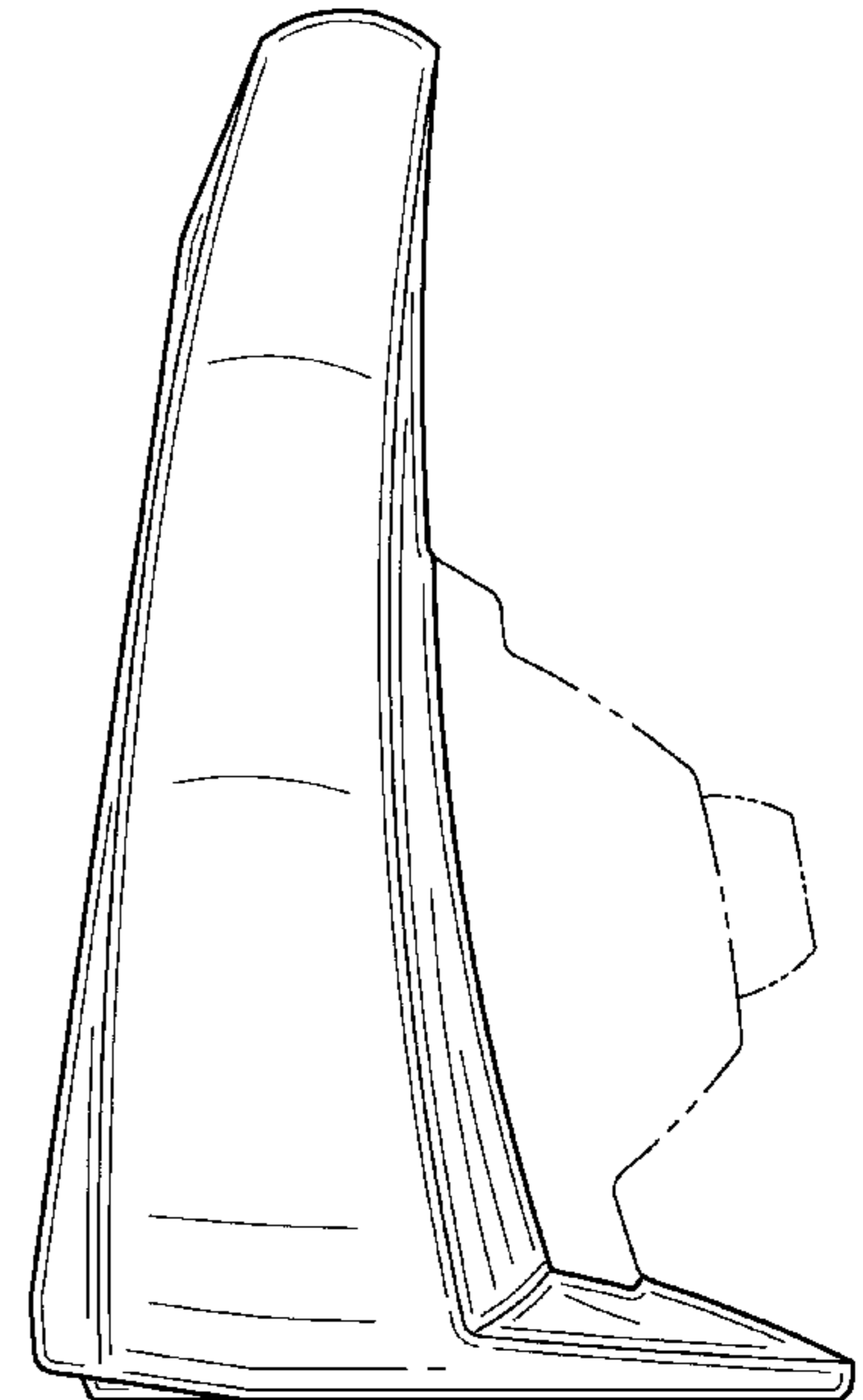
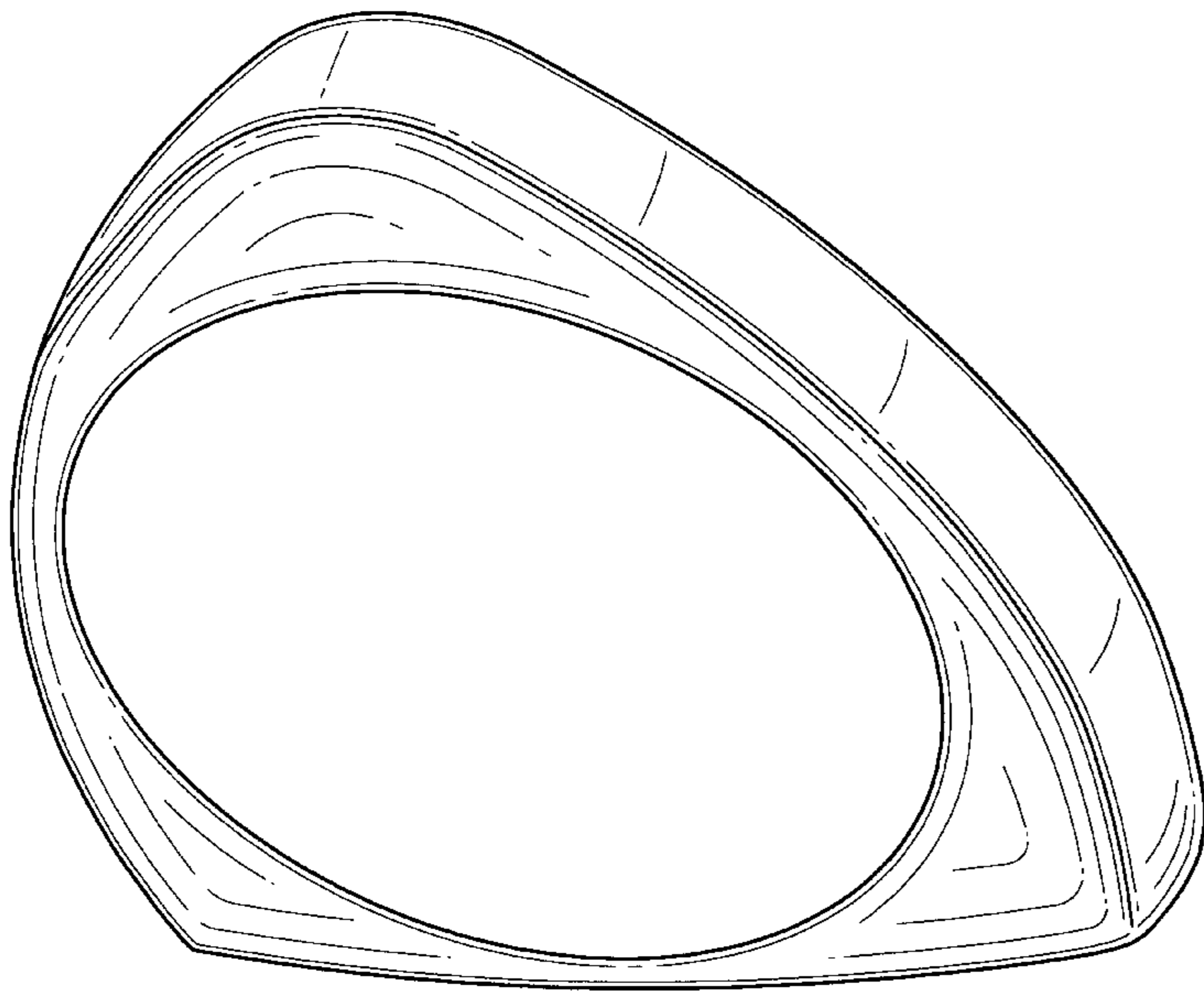
The broken-line showing of environmental structure in FIGS. 3 and 4 is for illustrative purposes only and forms no part of the claimed design.

#### [56] References Cited

##### U.S. PATENT DOCUMENTS

D. 366,934 2/1996 Asselbergs .

**1 Claim, 4 Drawing Sheets**



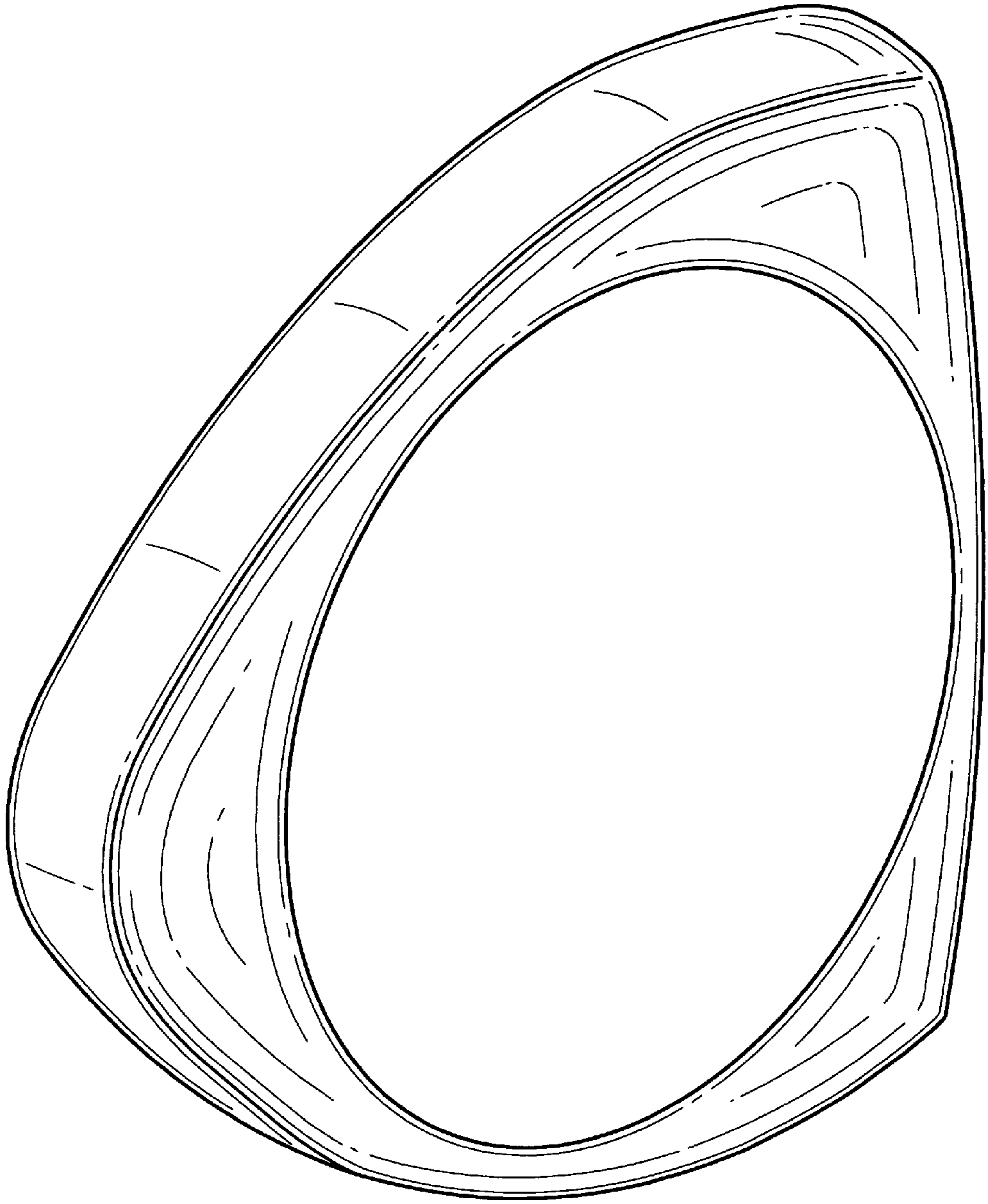


FIG-1

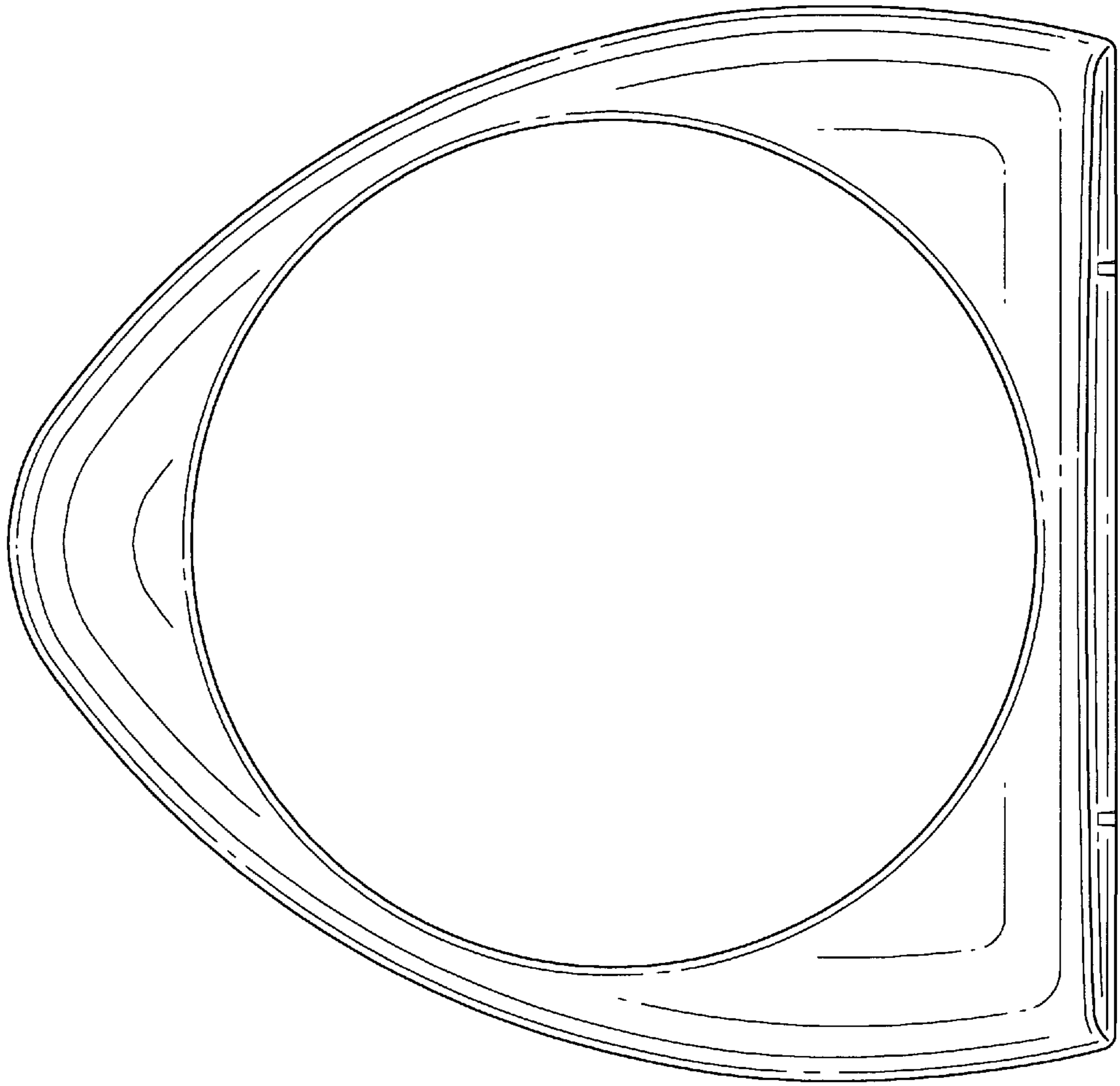


FIG-2

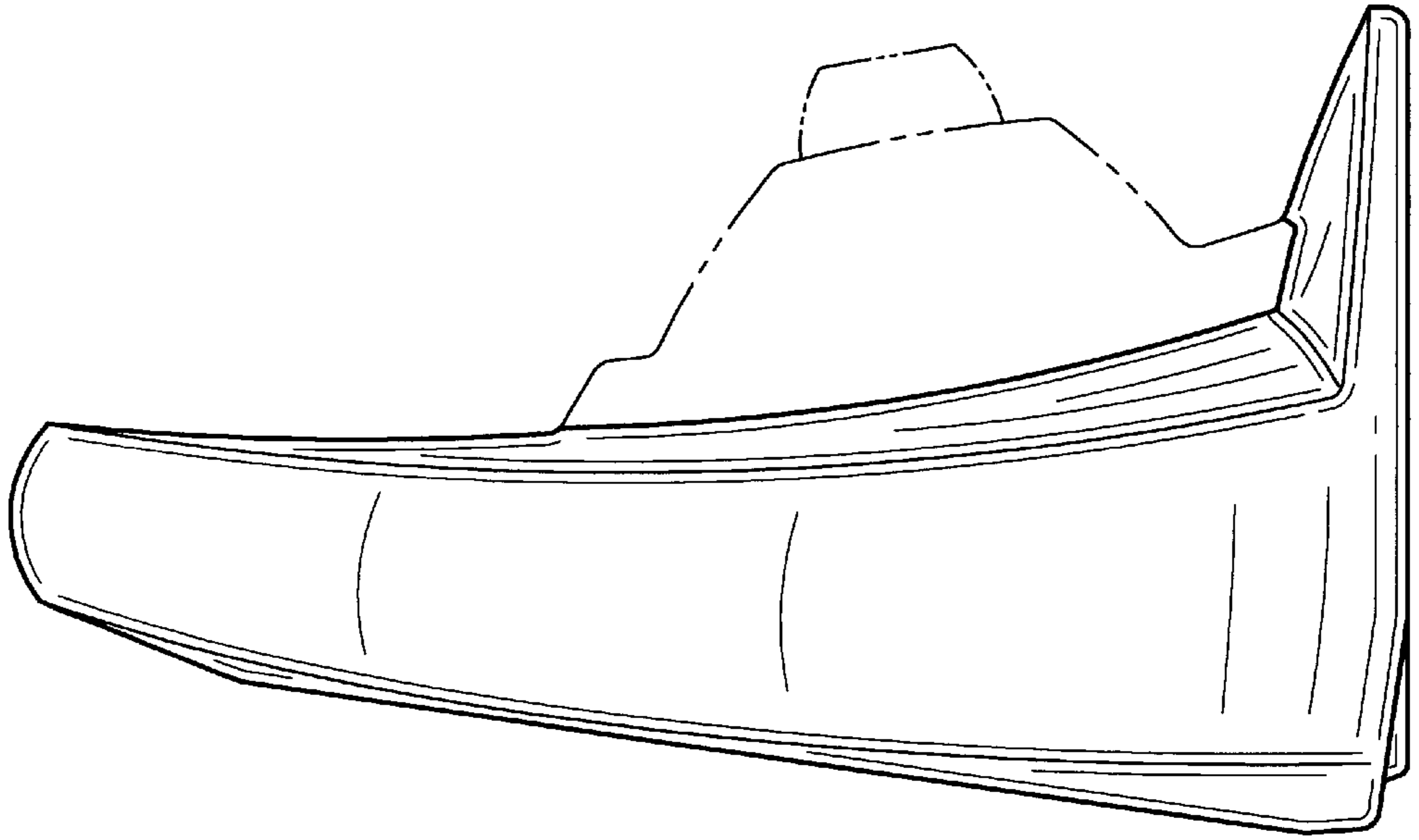


FIG-3

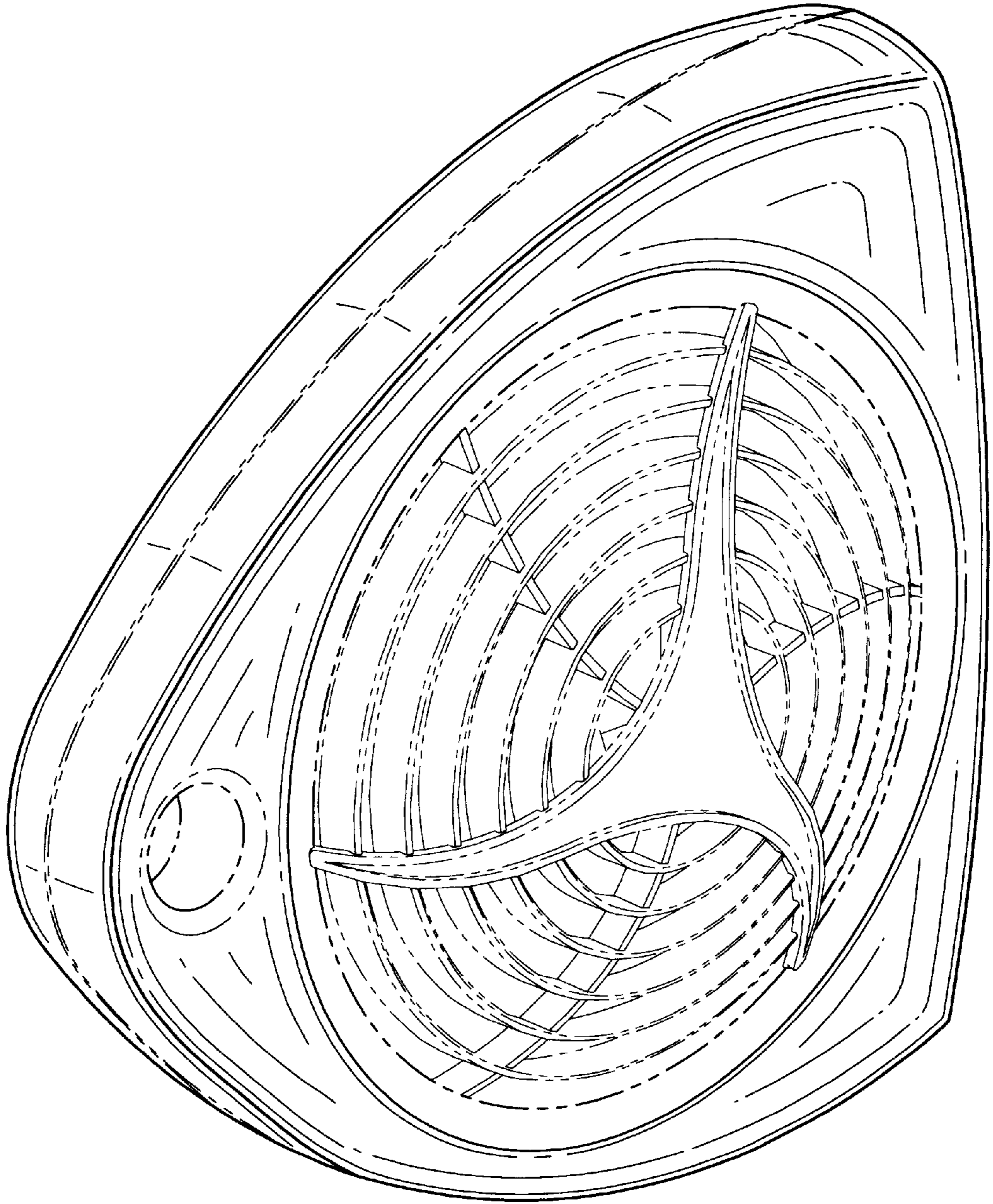


FIG-4