



US00D425192S

United States Patent [19] Humphrey

[11] Patent Number: Des. 425,192

[45] Date of Patent: ** May 16, 2000

[54] SOLAR FAN 4,850,804 7/1989 Huang 416/246

[76] Inventor: Edward Humphrey, 5, Brunswick Close, Aulesbury, Bucks, United Kingdom, HP19 3HJ

Primary Examiner—Lisa Lichtenstein

[**] Term: 14 Years

[57] CLAIM

The ornamental design for a solar fan, as shown and described.

[21] Appl. No.: 29/087,340

DESCRIPTION

[22] Filed: Apr. 30, 1998

[51] LOC (7) Cl. 23-04

[52] U.S. Cl. D23/379; D23/370

[58] Field of Search D23/379, 370; 416/246 R, 247 R, 206; 248/231.5, 231.8, 207

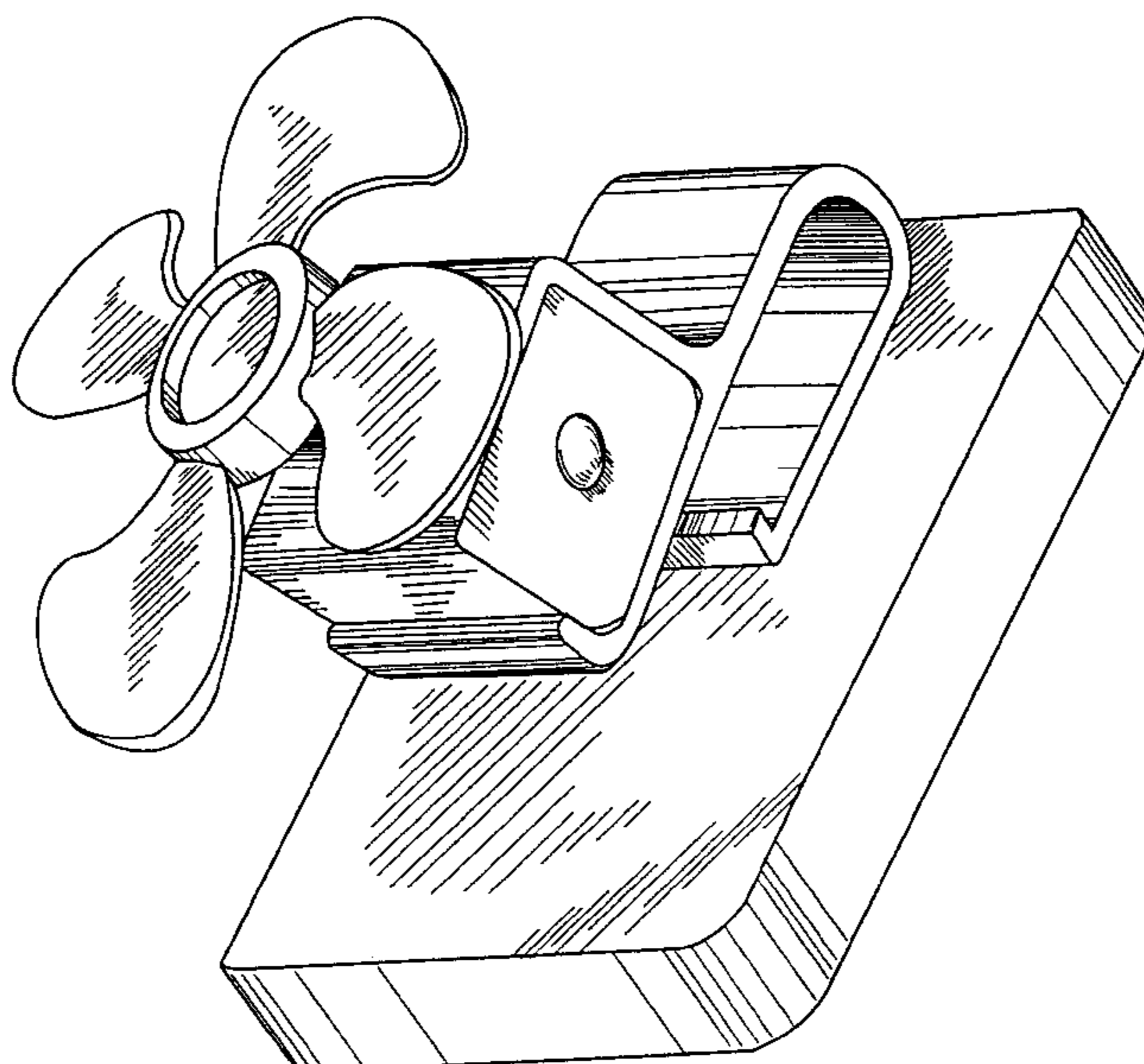
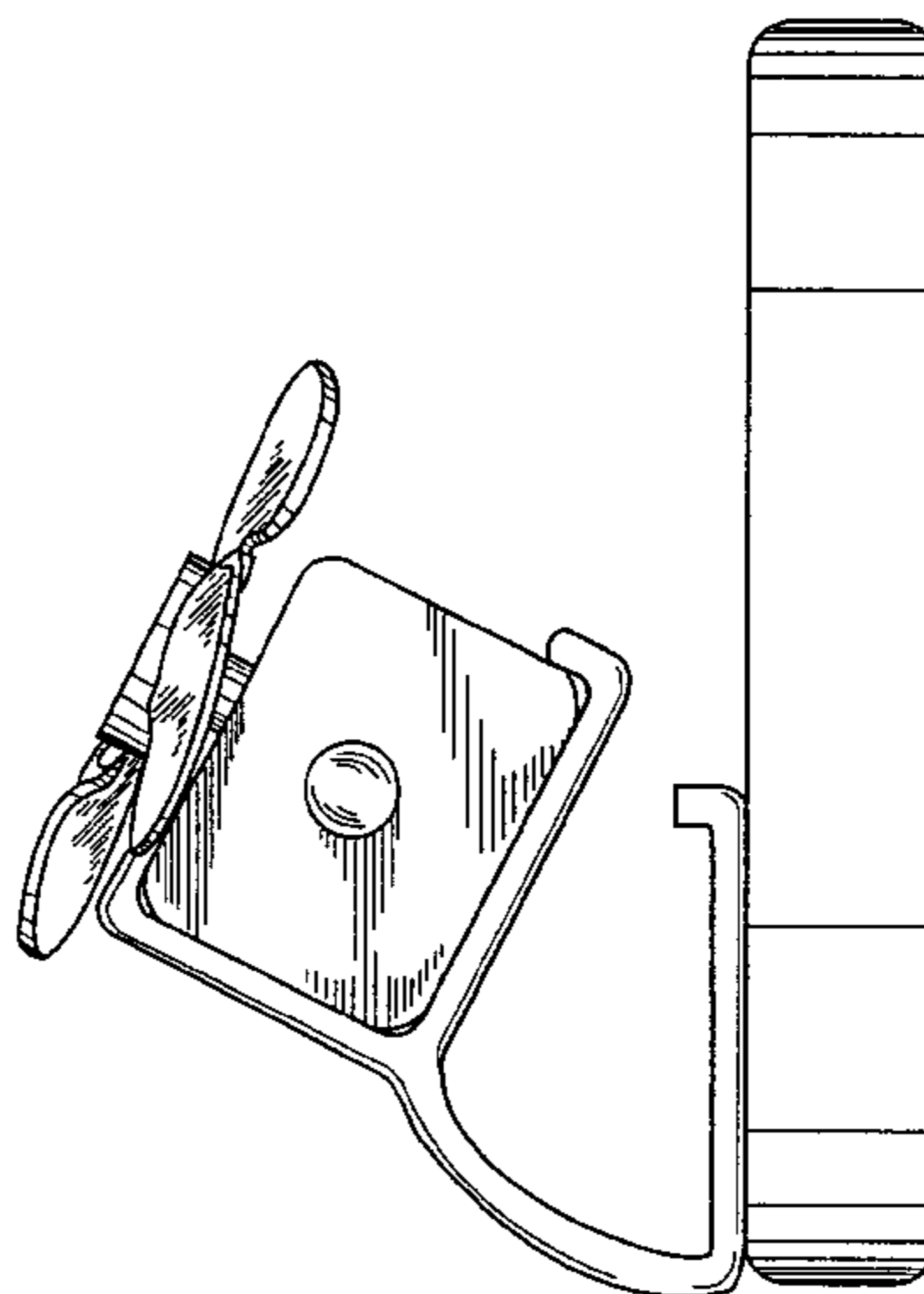
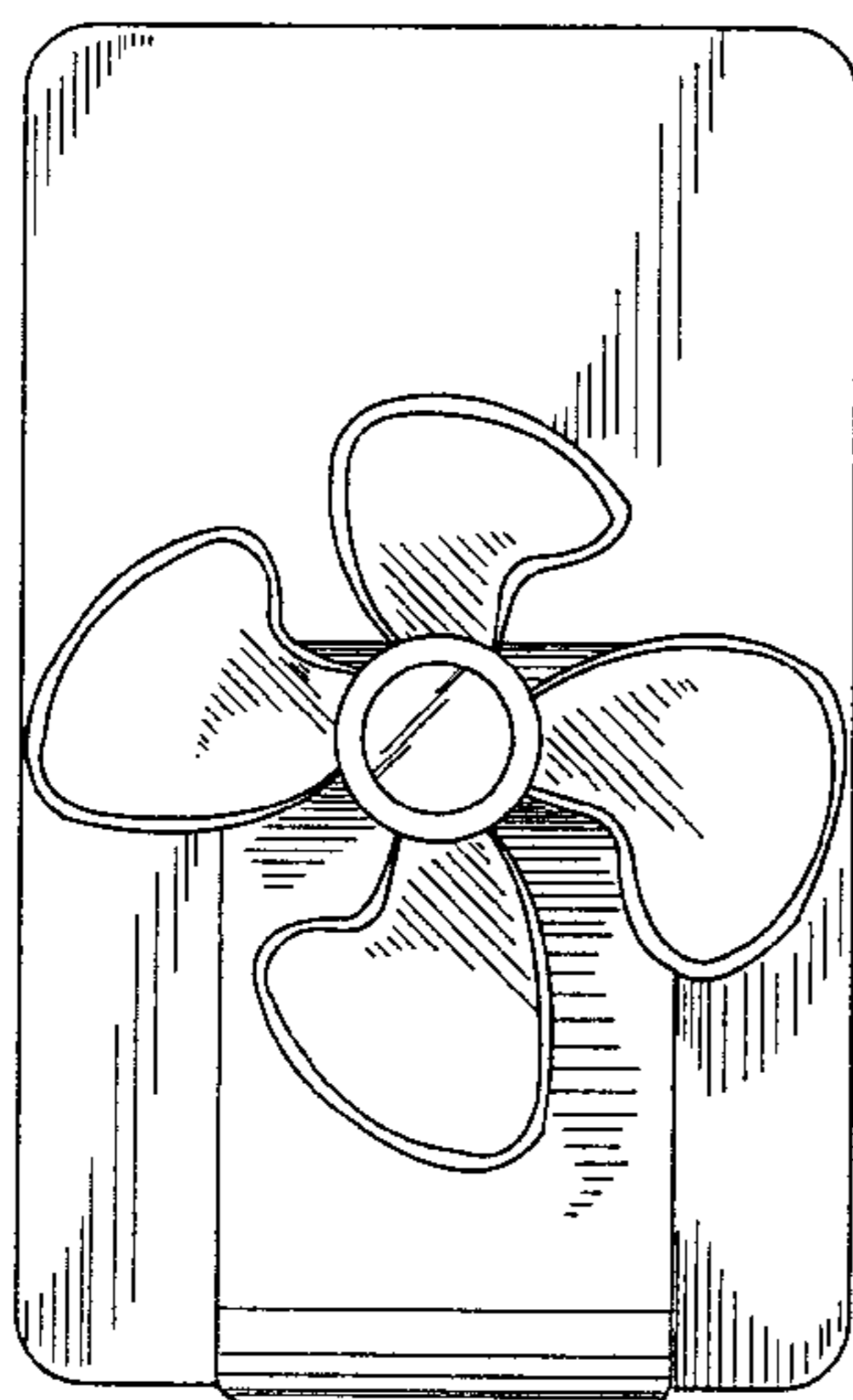
FIG. 1 is a view of the front face of the solar fan; FIG. 2 is a view of the reverse face of the solar fan; FIG. 3 is a view of the right face of the solar fan; FIG. 4 is a view of the left face of the solar fan; FIG. 5 is a view of the top face of the solar fan; FIG. 6 is a view of the bottom face of the solar fan; and, FIG. 7 is a perspective view of the solar fan.

[56] References Cited

U.S. PATENT DOCUMENTS

4,799,858 1/1989 Shin-Chin 416/247 R

1 Claim, 4 Drawing Sheets



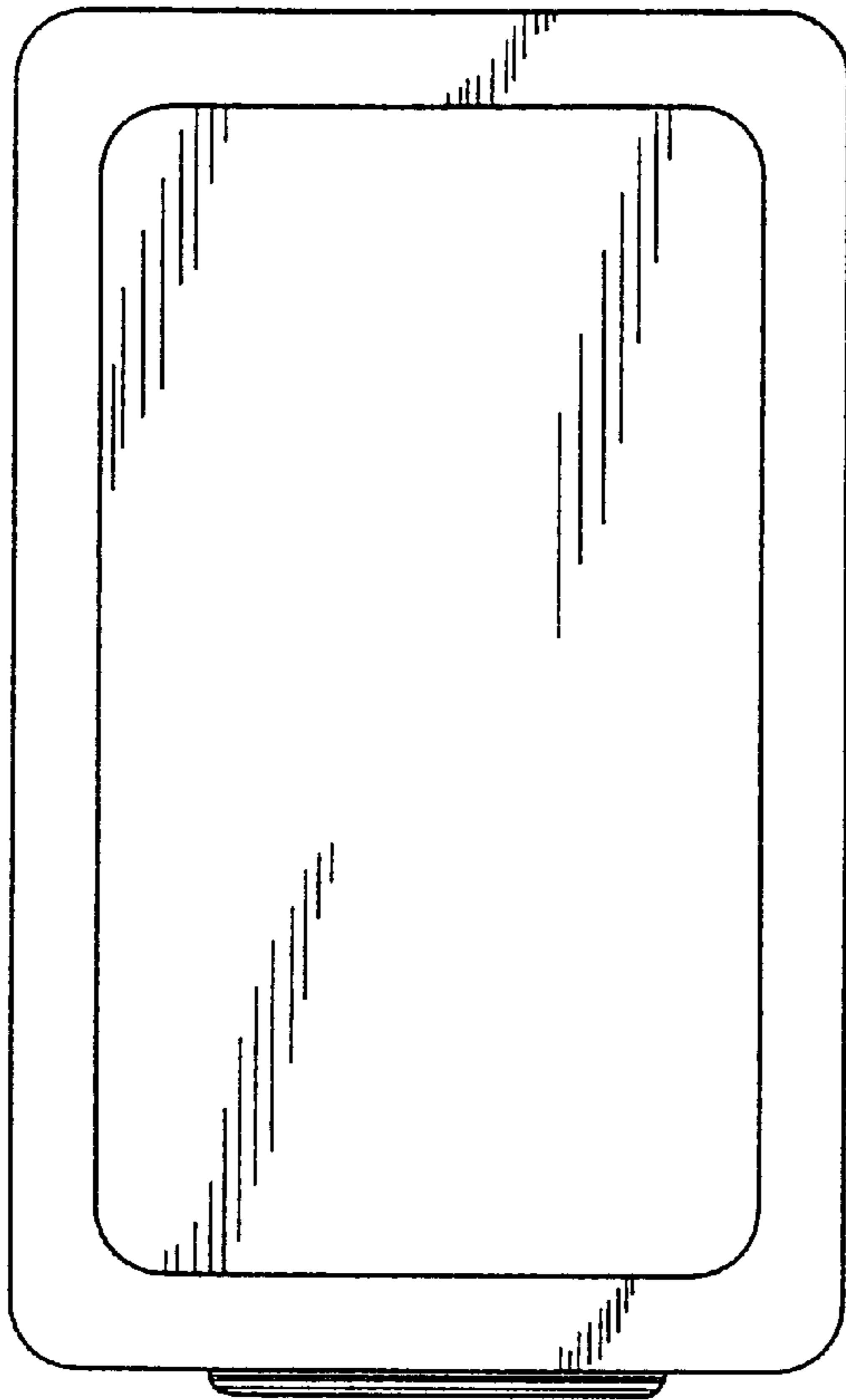


Fig. 1

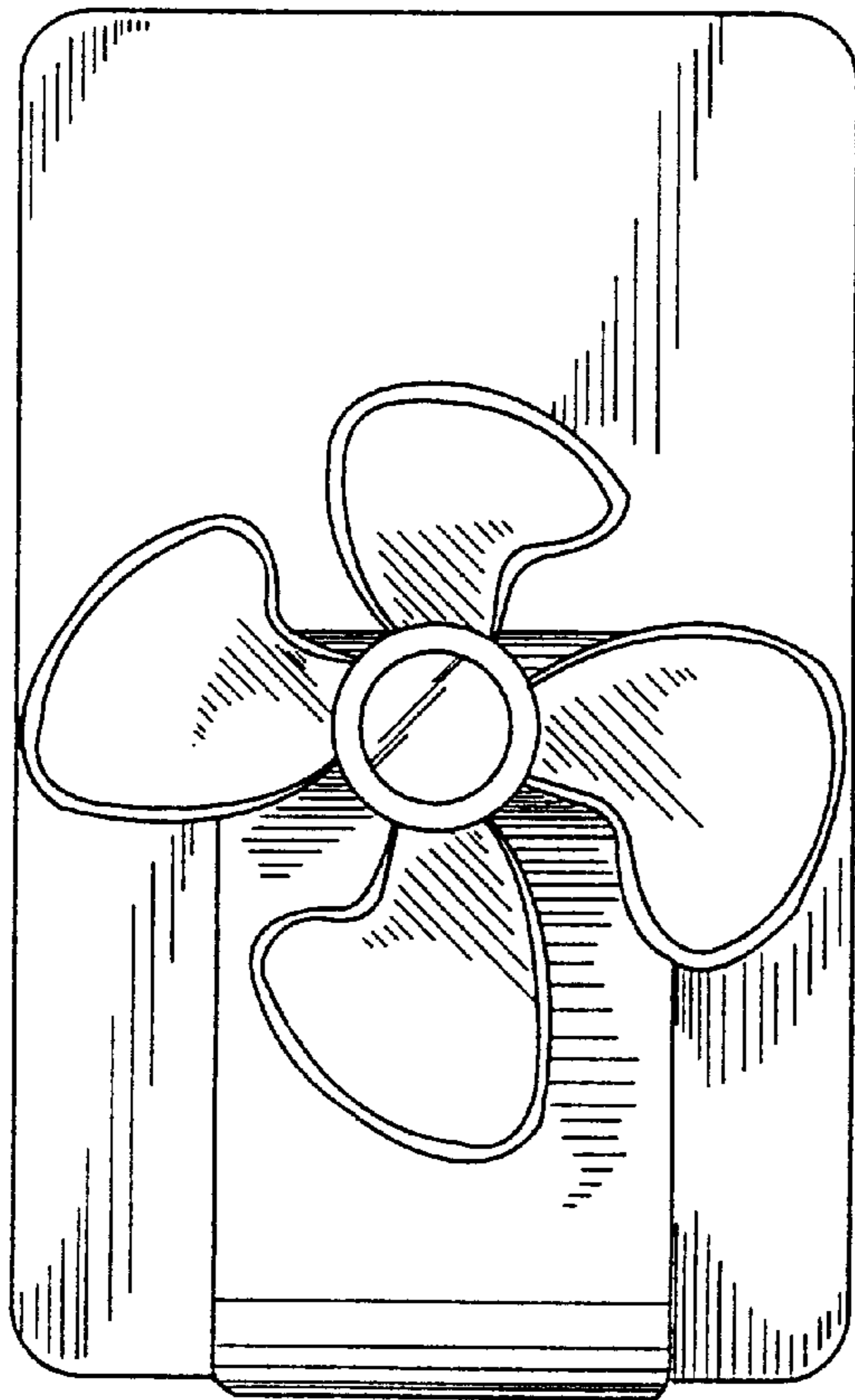


Fig. 2

Fig. 3

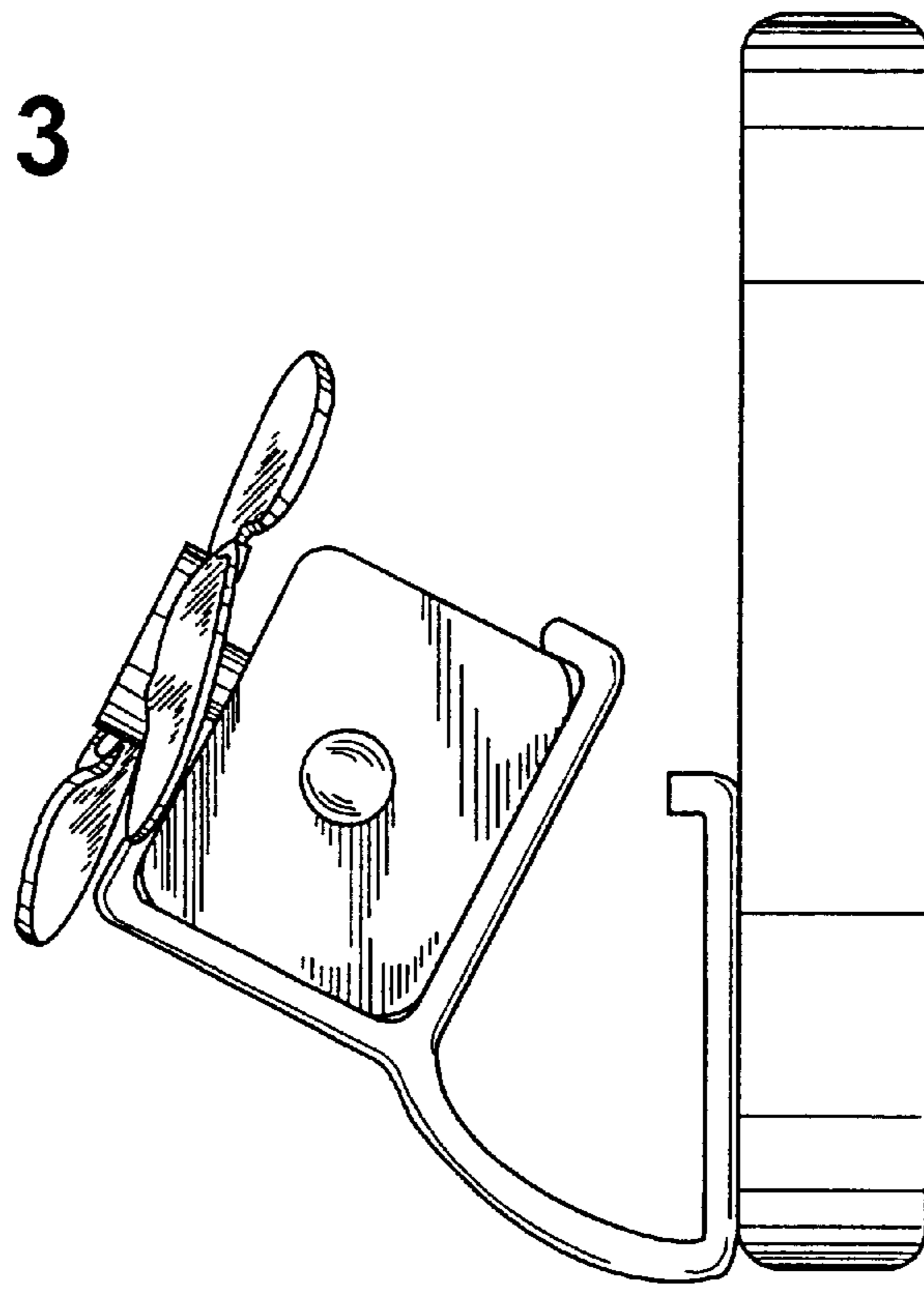


Fig. 4

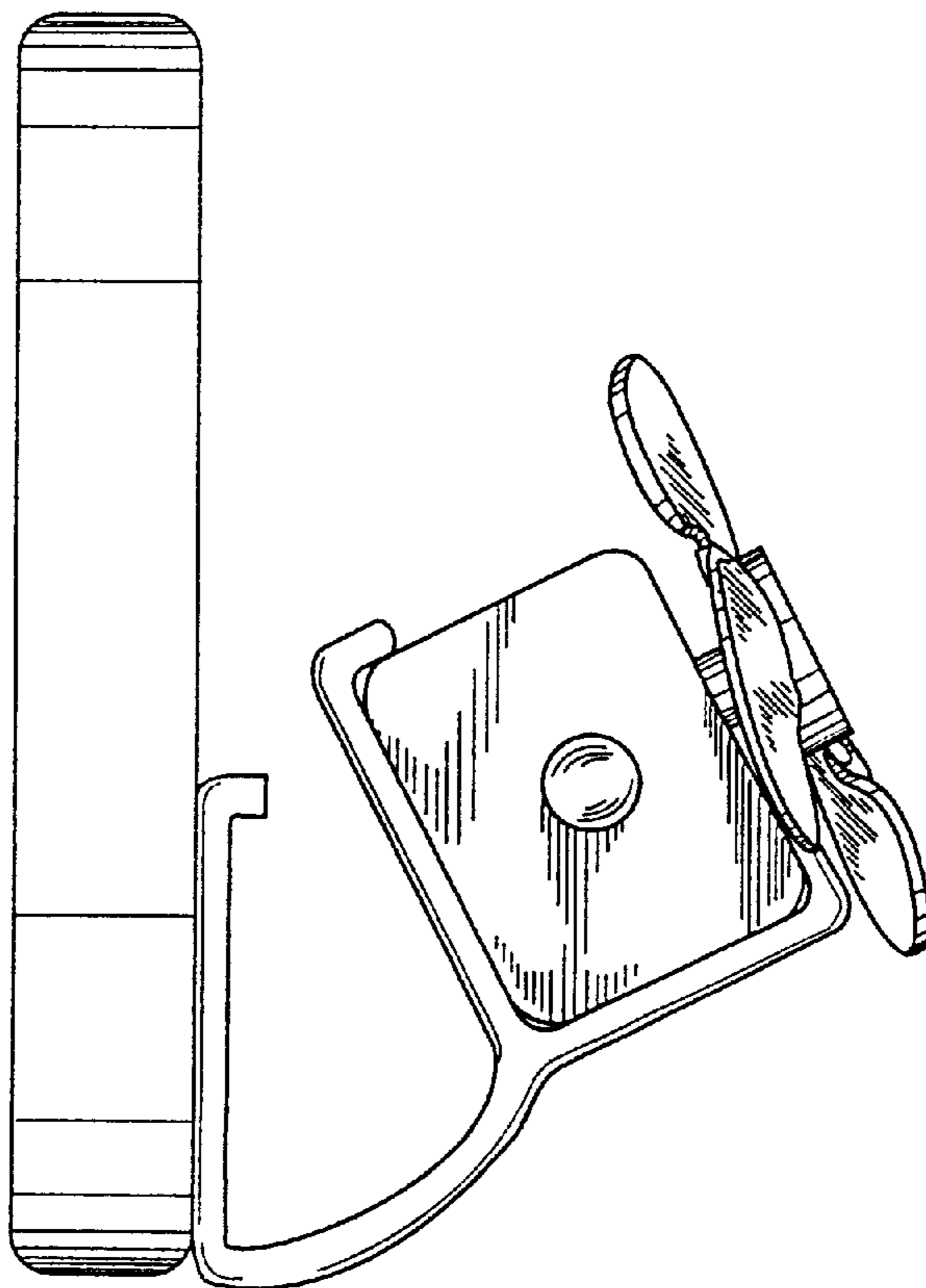


Fig. 5

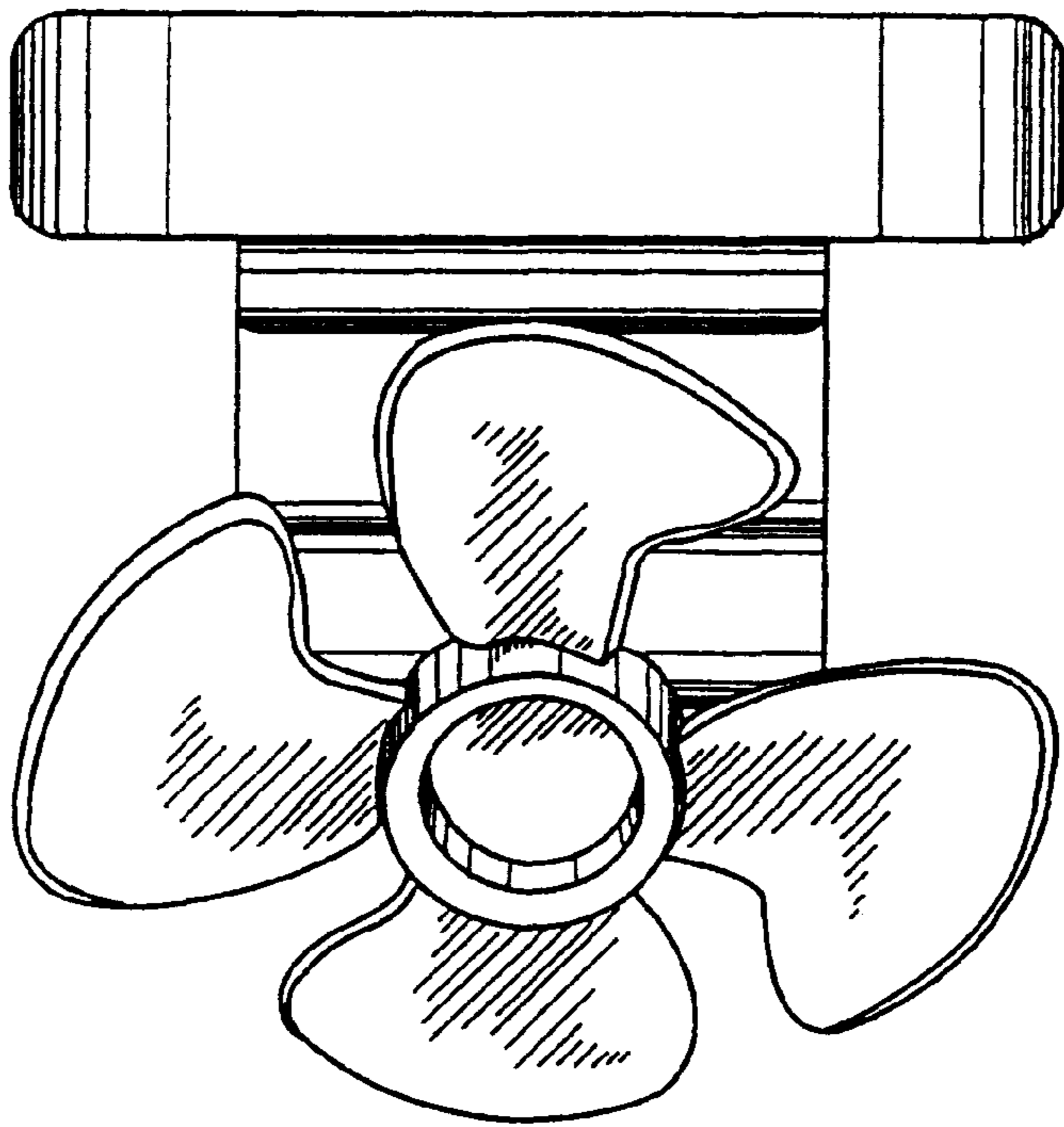
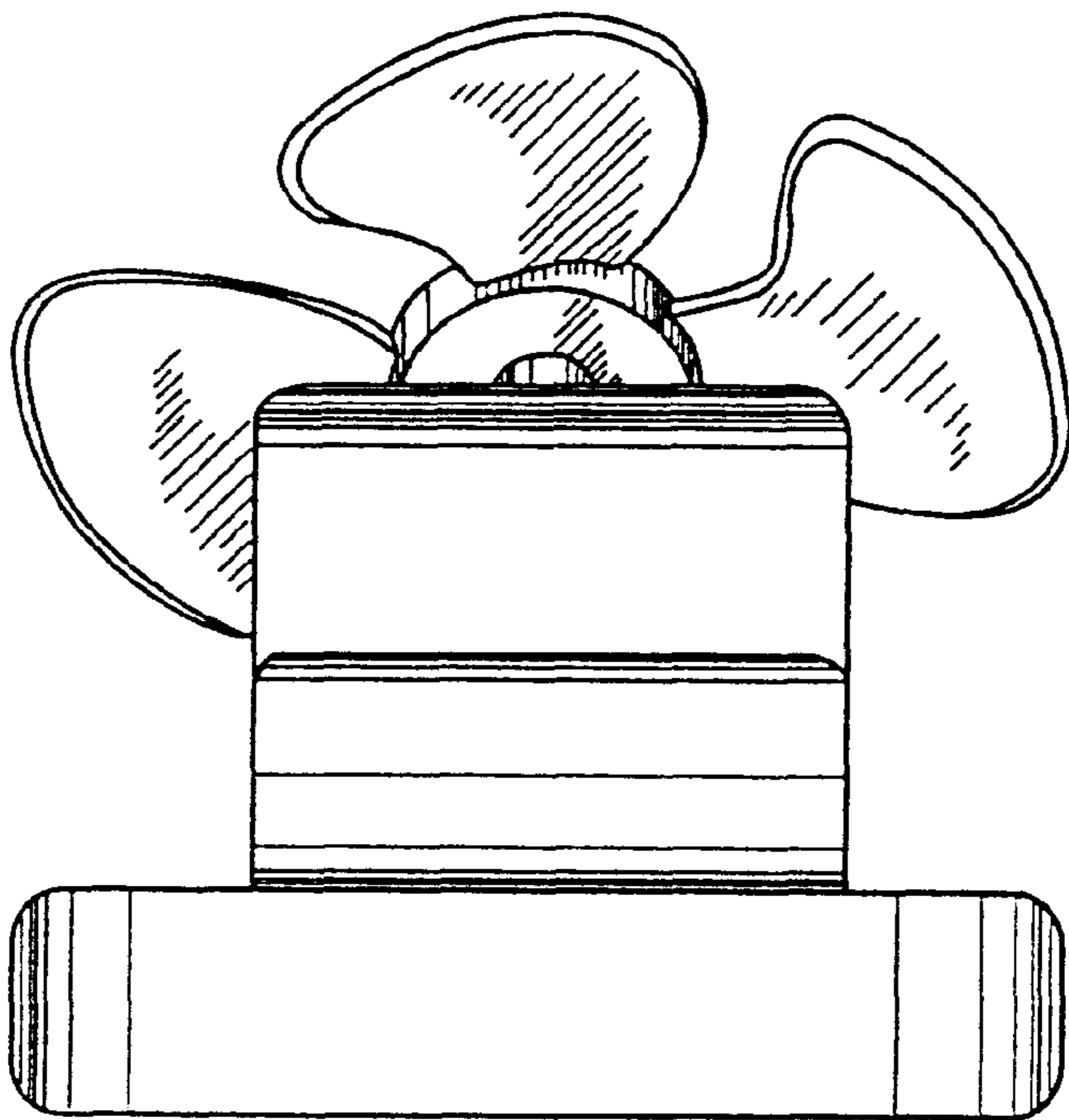


Fig. 6



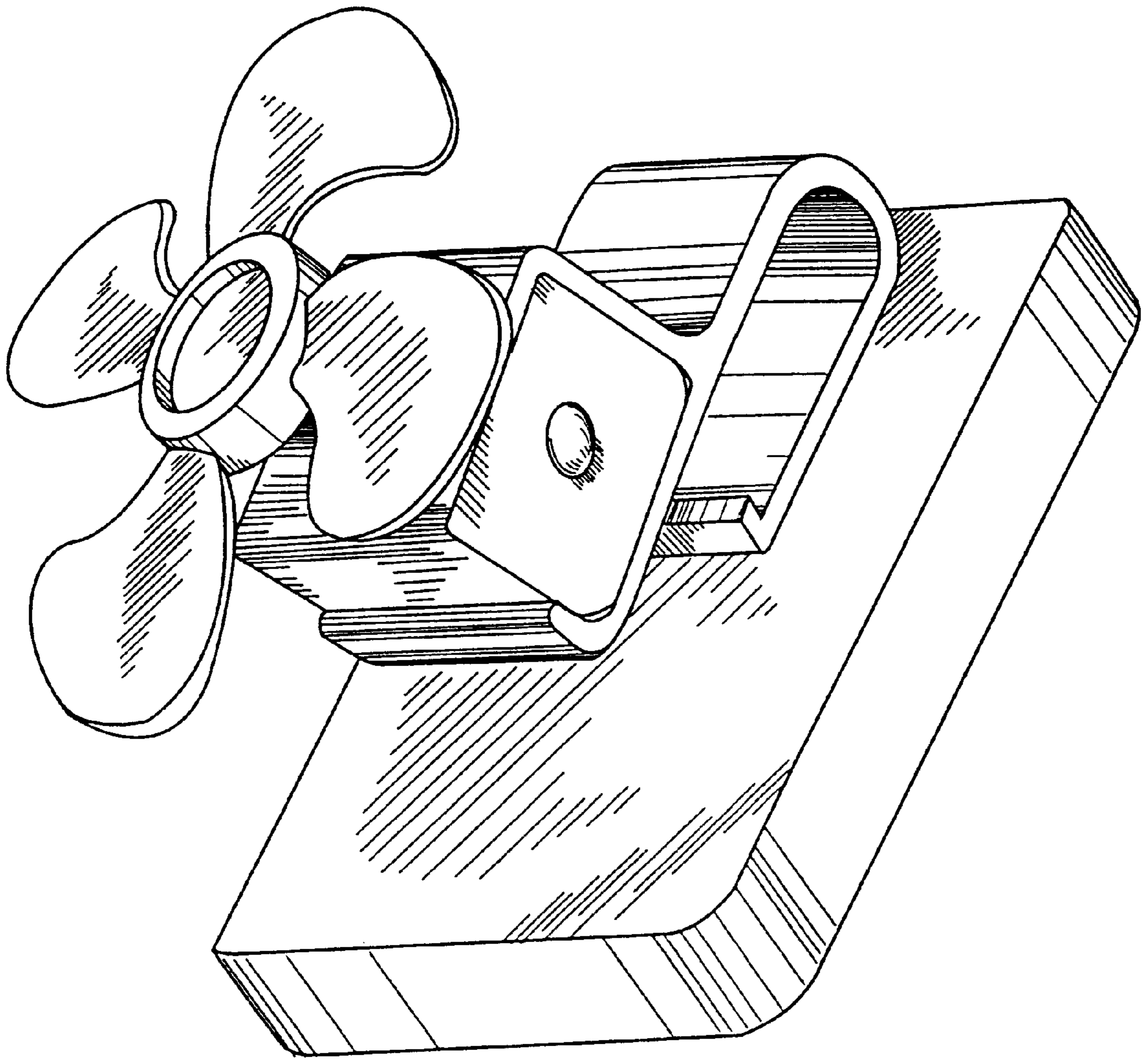


Fig. 7