



US00D425187S

**United States Patent** [19]  
**Adamavich**

[11] **Patent Number: Des. 425,187**

[45] **Date of Patent: \*\* May 16, 2000**

[54] **SINK**

[75] Inventor: **Phillip J. Adamavich**, Sheboygan, Wis.

[73] Assignee: **Kohler Co.**, Kohler, Wis.

[\*\*] Term: **14 Years**

[21] Appl. No.: **29/097,301**

[22] Filed: **Dec. 3, 1998**

[51] **LOC (7) Cl.** ..... **23-02**

[52] **U.S. Cl.** ..... **D23/284**

[58] **Field of Search** ..... D23/270–274,  
D23/284–280.4; 4/580, 619, 630–636, 639,  
640, 642, 650–660, DIG. 18

[56] **References Cited**

**U.S. PATENT DOCUMENTS**

D. 337,155	7/1993	O'Connell	.....	D23/284
D. 346,014	4/1994	Berge et al.	.....	D23/284
D. 351,221	10/1994	Berge et al.	.....	D23/290
D. 393,057	3/1998	Gardner et al.	.....	D23/284
D. 395,699	6/1998	Hundley	.....	D23/290

**OTHER PUBLICATIONS**

1991 Kohler catalog ad, p. 15–11a, showing a “Ravinia” single basin kitchen sink.

1992 Kohler catalog ad, p. 15–10a, showing a “River Falls” sink.

1995 Kohler catalog ad, p. 15–8a, showing an “Entree” kitchen sink.

1996 Kohler catalog ad, p. 222, showing “Ravinia” sink.

1996 Kohler catalog ad, p. 163, showing “Invitation” countertop lavatory.

*Primary Examiner*—Eric Watterson

*Attorney, Agent, or Firm*—Quarles & Brady LLP

[57] **CLAIM**

The ornamental design for a sink, as shown and described.

**DESCRIPTION**

FIG. 1 is a right, top, front perspective view of a sink embodying my new design;

FIG. 2 is a top plan view thereof;

FIG. 3 is a front elevational view thereof;

FIG. 4 is a right side elevational view thereof;

FIG. 5 is a left side elevational view thereof;

FIG. 6 is a rear elevational view thereof;

FIG. 7 is a bottom plan view thereof;

FIG. 8 is a cross-sectional view taken along line 8–8 of FIG. 2;

FIG. 9 is a cross-sectional view taken along line 9–9 of FIG. 2; and,

FIG. 10 is a top plan view of a second embodiment which is a mirror image of FIG. 2, the front elevational view being a mirror image of that shown in FIG. 3, the left side elevational view being a mirror image of that shown in FIG. 4, the right side elevational view being a mirror image of that shown in FIG. 5, the rear elevational view being a mirror image of that shown in FIG. 6, and the bottom plan view being a mirror image of that shown in FIG. 7.

The characteristic feature of my claimed design resides in a smooth sloped wide band surrounding the top edge of the basin to transition between the horizontal top mounting surface and the walls of the basin.

The broken line representations of support structure in FIGS. 3–9, and of holes in FIGS. 1, 2, 7, and 10, are for the purpose of illustration only, and form no part of the claimed design.

**1 Claim, 4 Drawing Sheets**

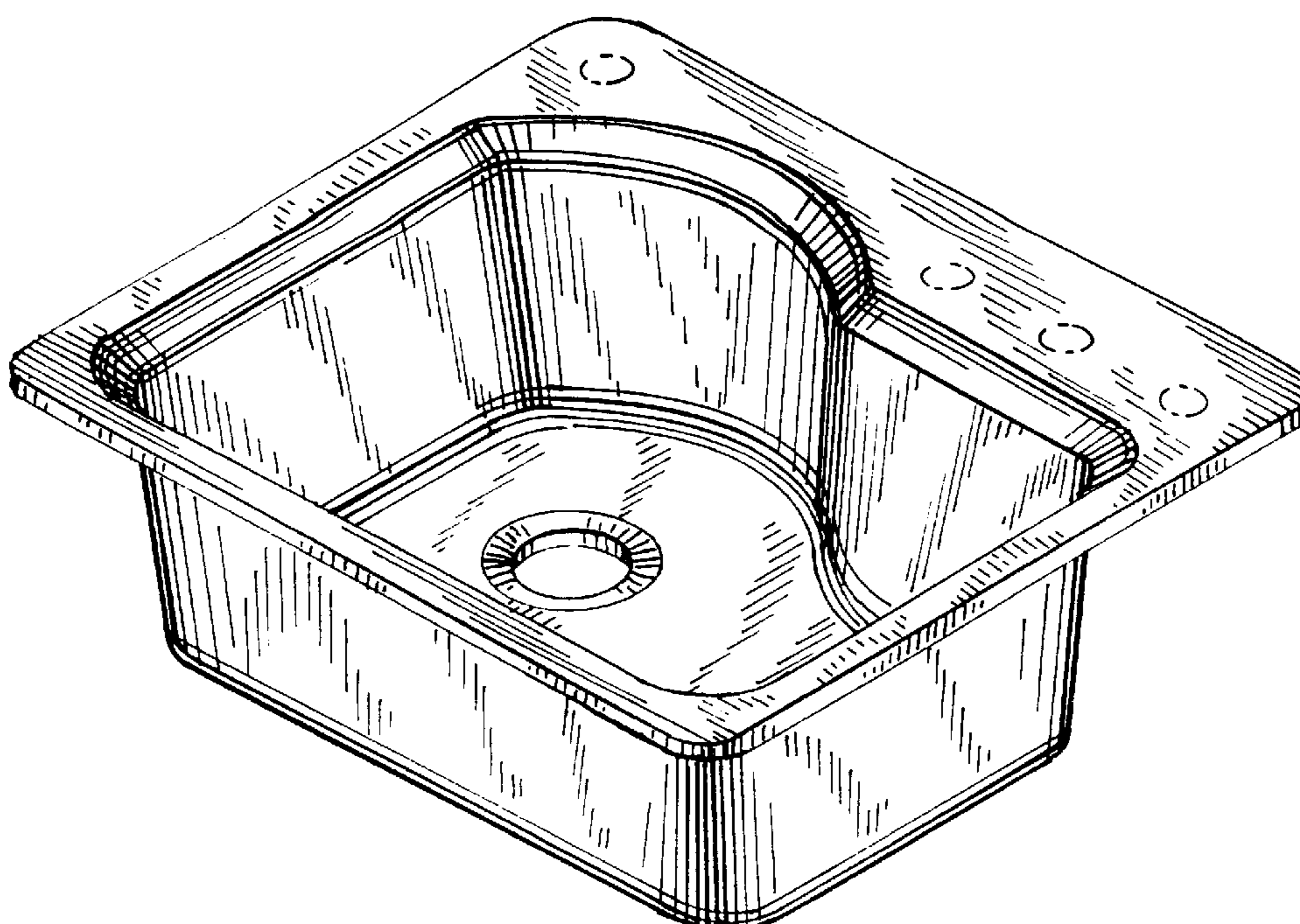


FIG. 1

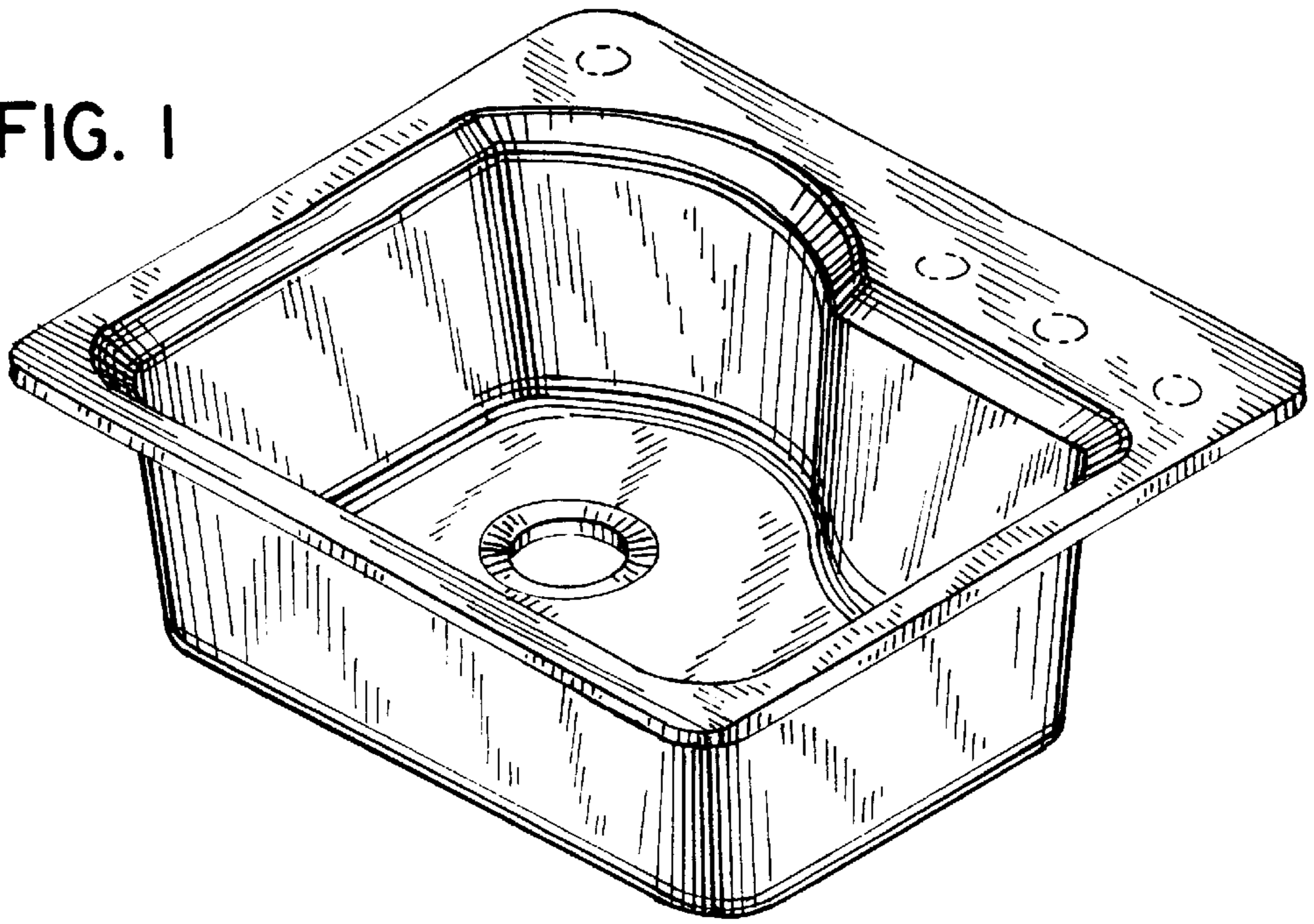
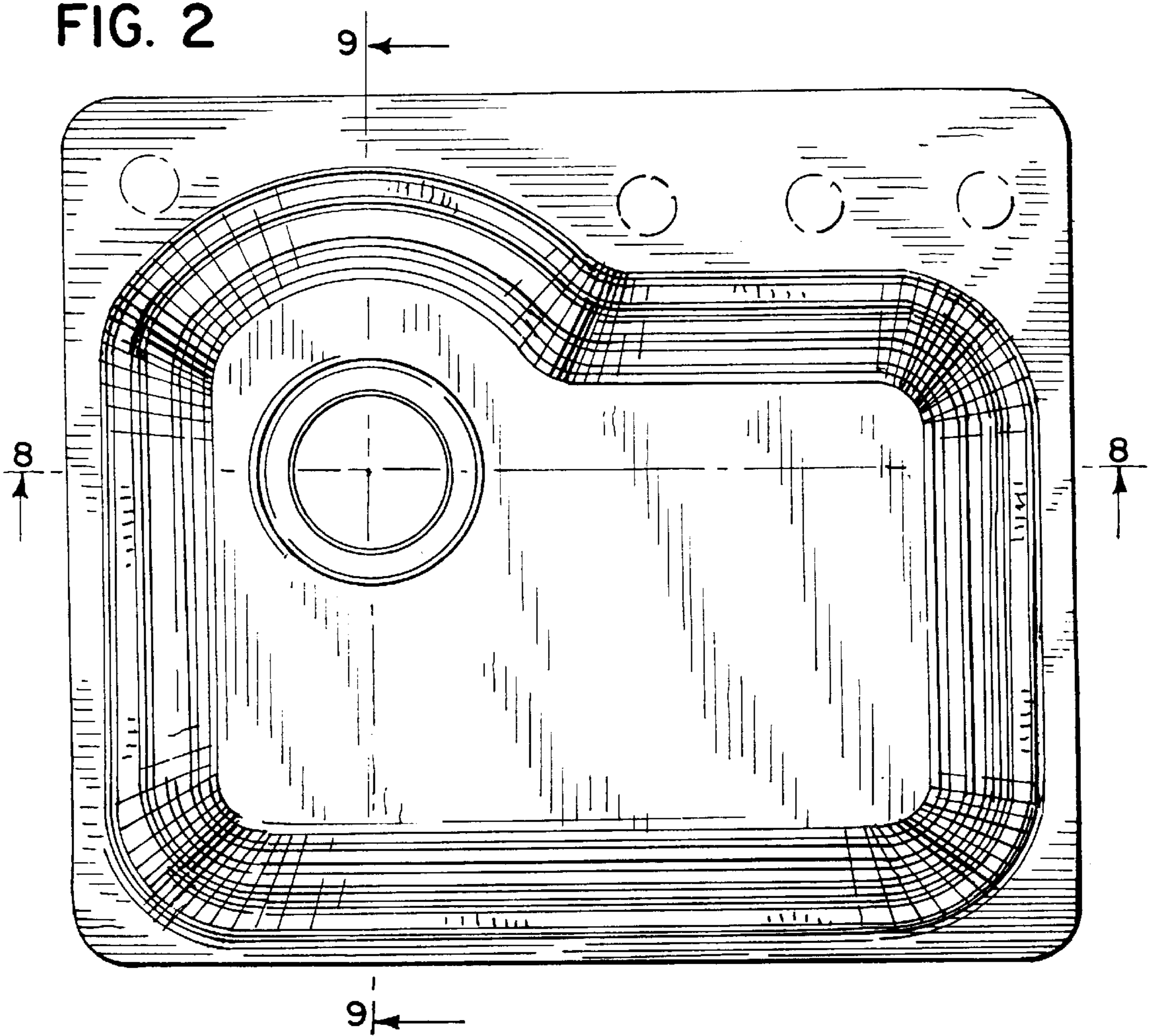


FIG. 2



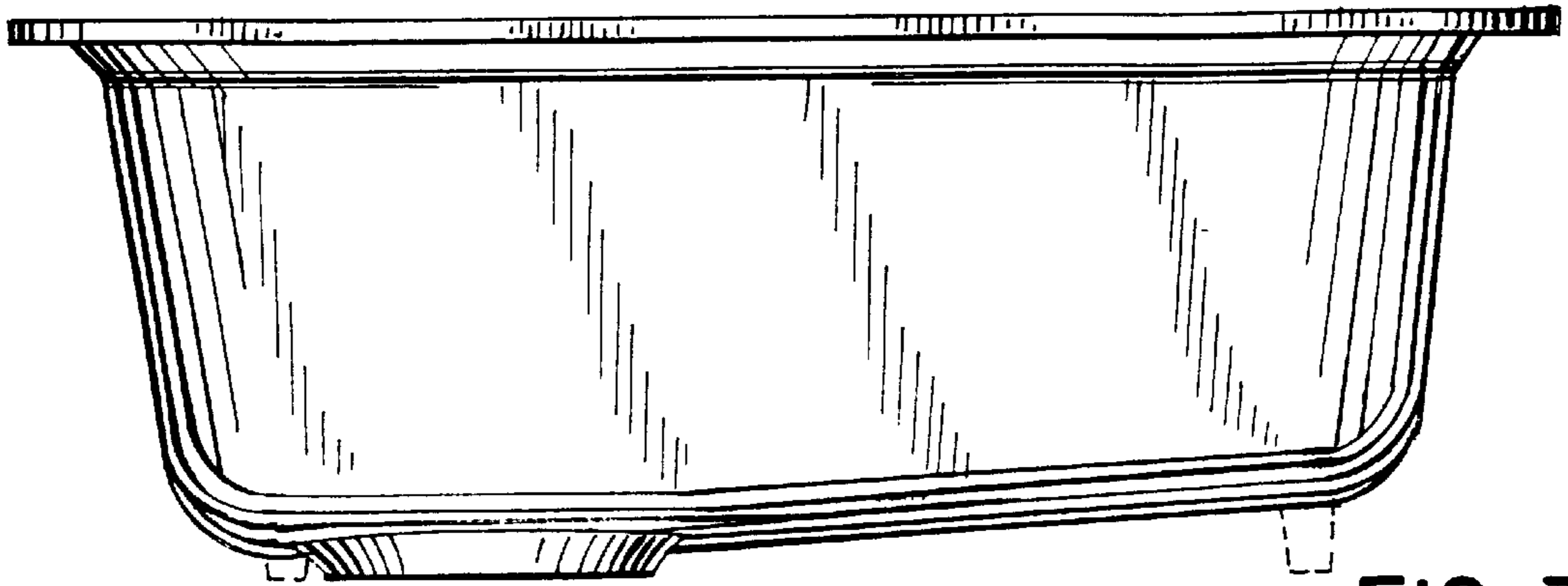


FIG. 3

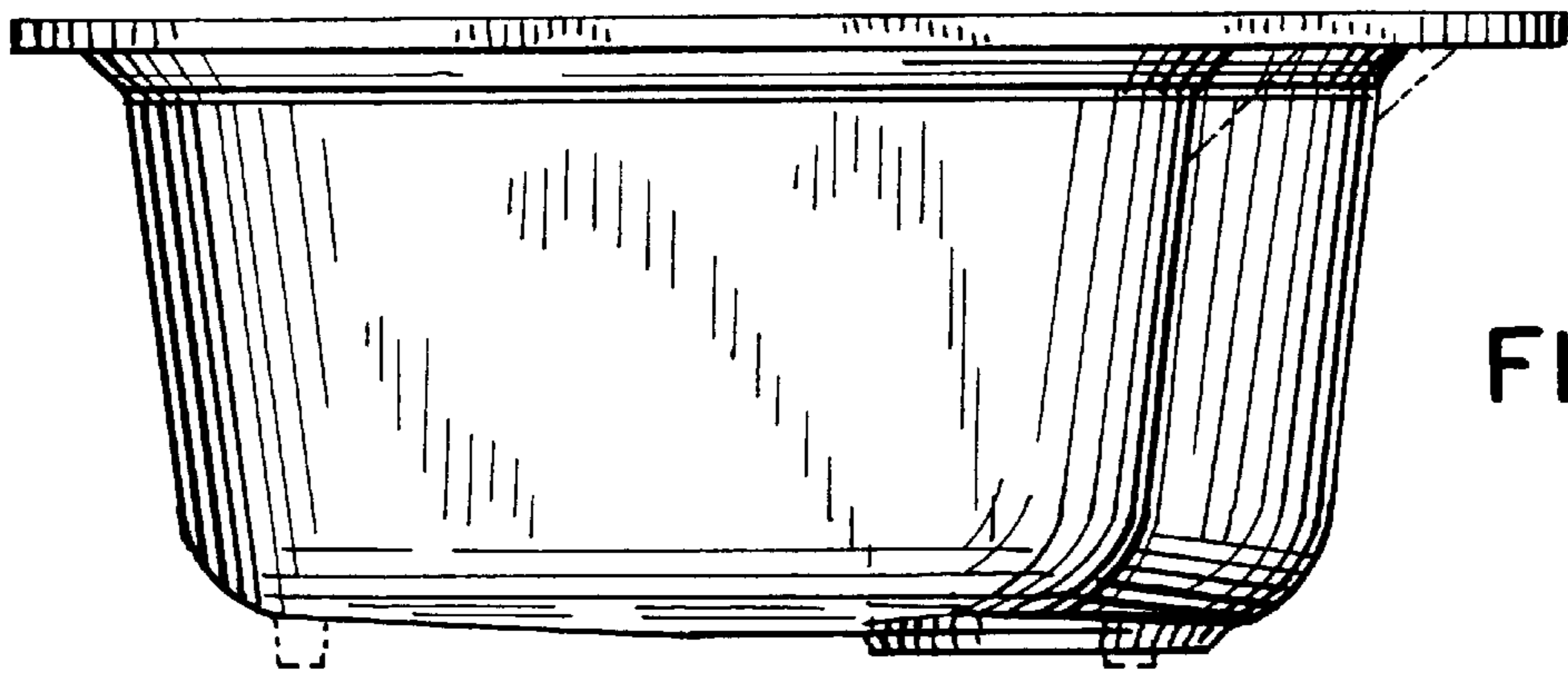


FIG. 4

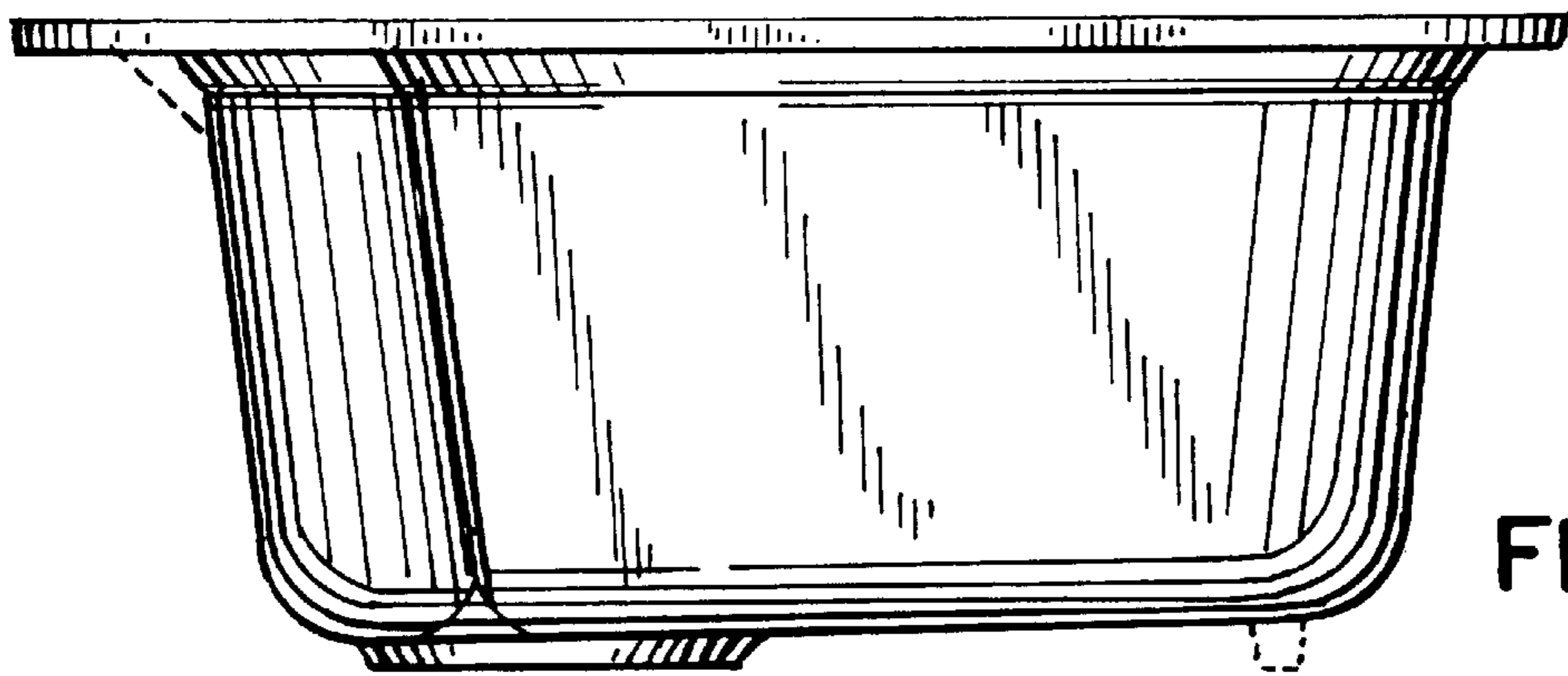


FIG. 5

FIG. 6

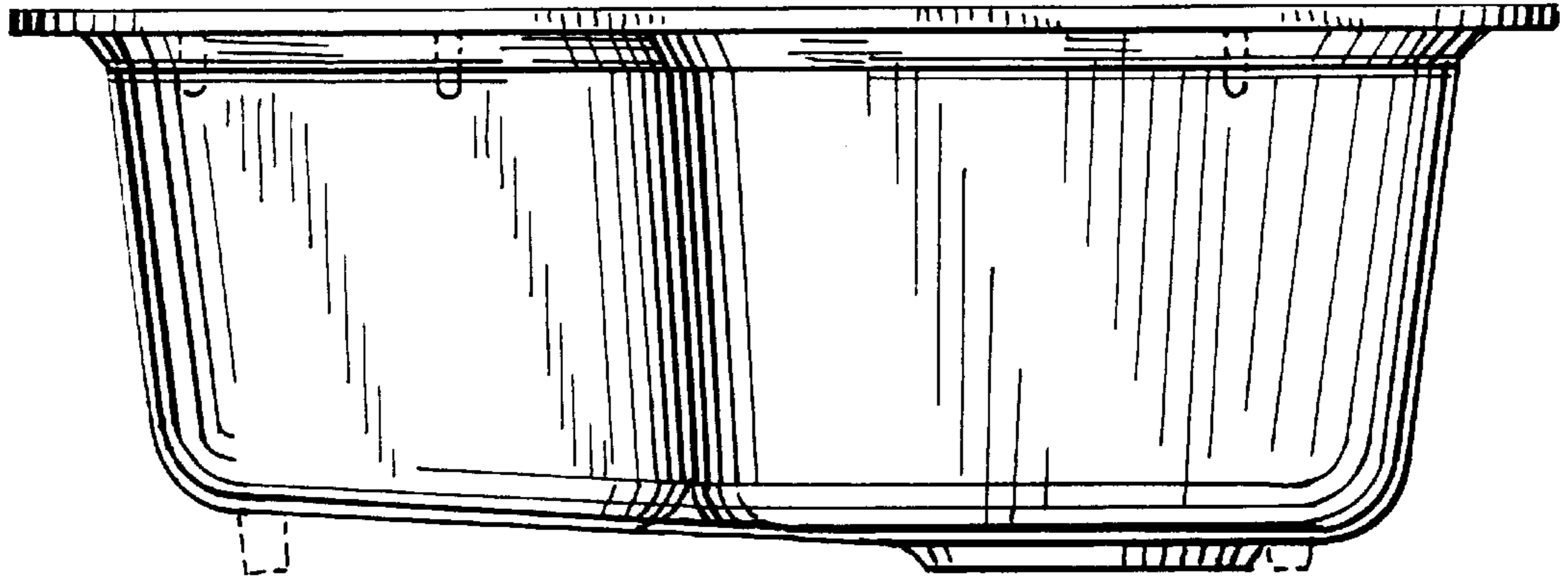


FIG. 7

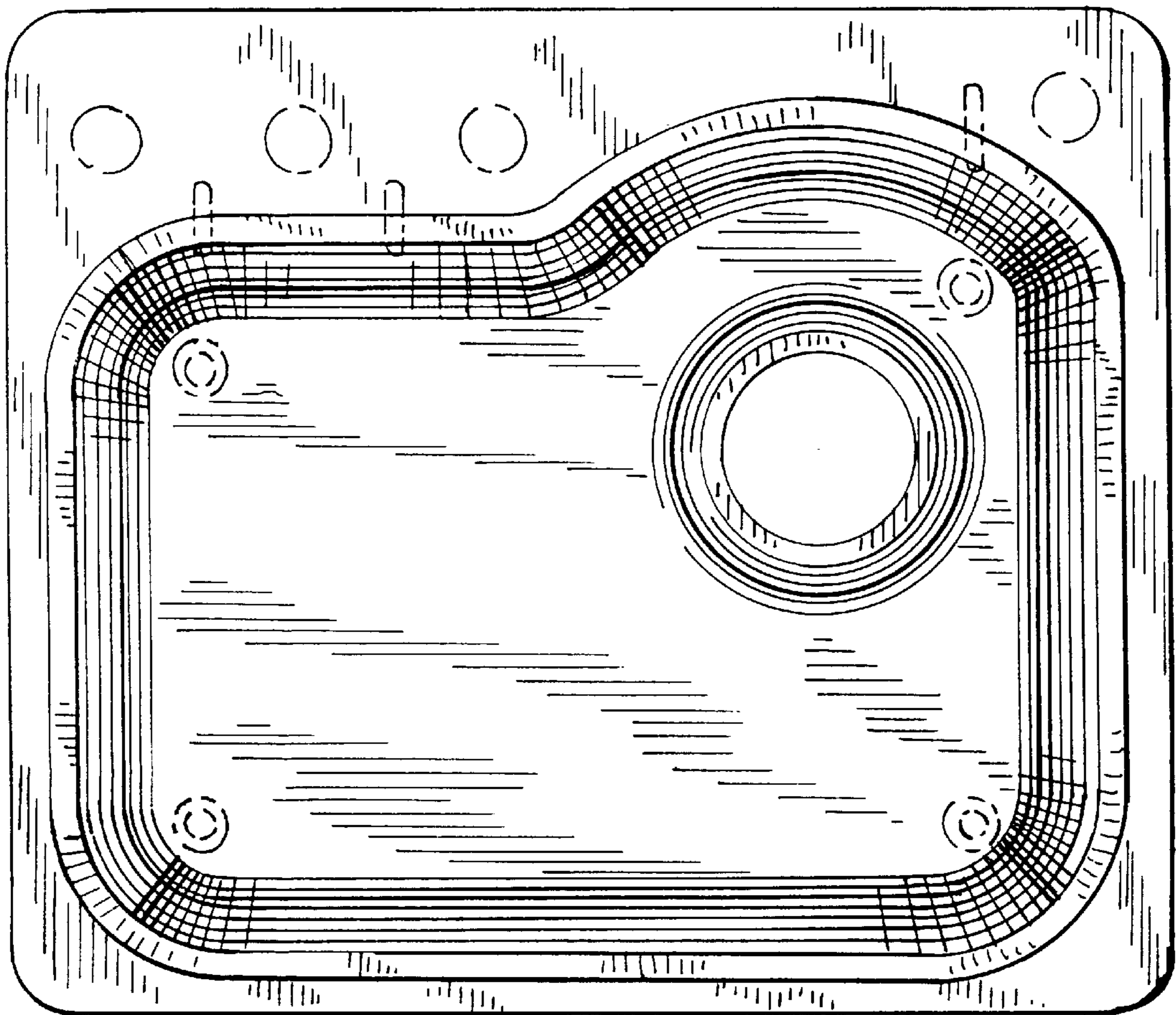


FIG. 8

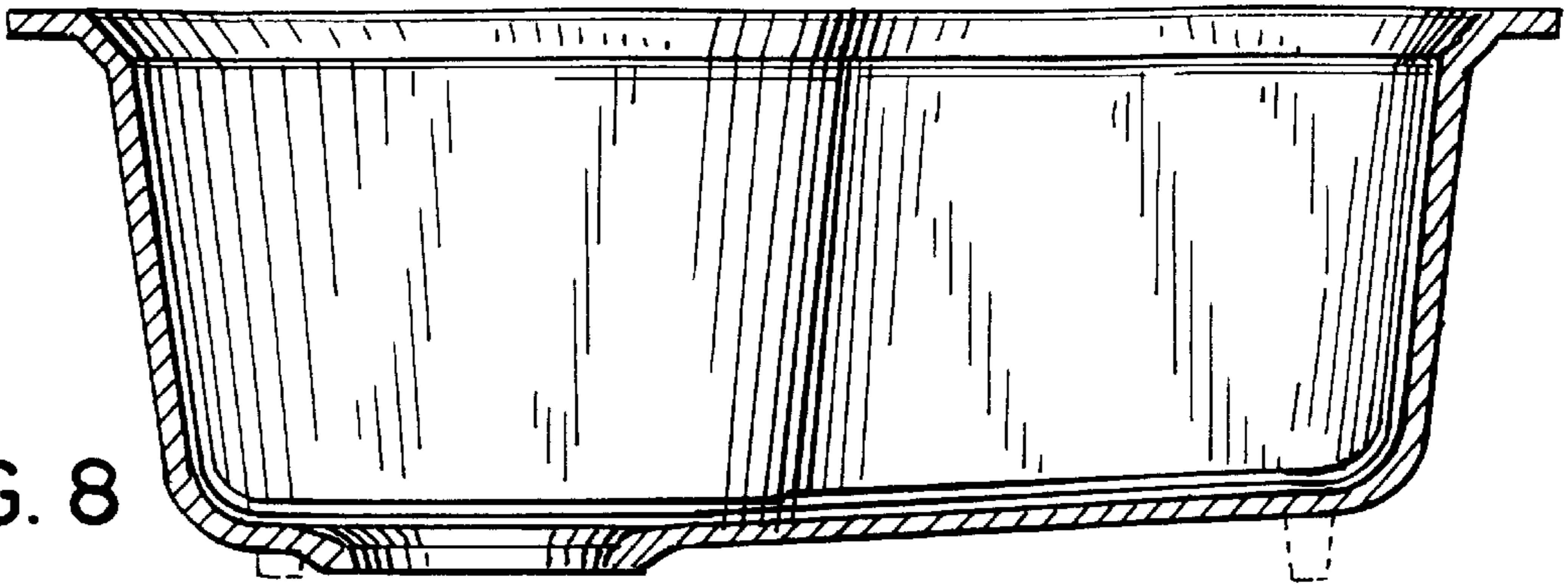


FIG. 9

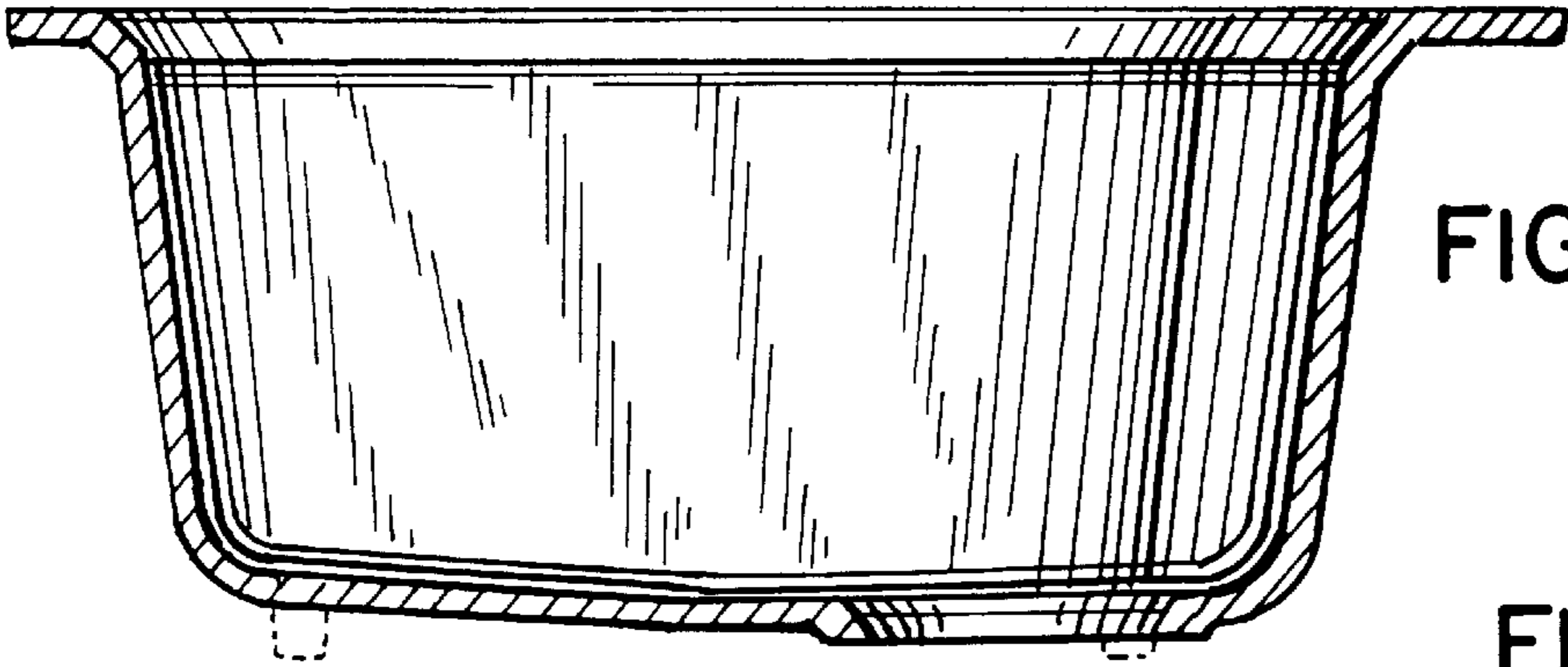


FIG. 10

