



US00D425183S

United States Patent [19]

Nolan

[11] **Patent Number: Des. 425,183**

[45] **Date of Patent: ** May 16, 2000**

[54] **TEMPORARY PIPE COUPLING SYSTEM**

[76] **Inventor: Mike Nolan, 4807 Rio Linda Blvd., Sacramento, Calif. 95838**

[**] **Term: 14 Years**

[21] **Appl. No.: 29/099,306**

[22] **Filed: Jan. 19, 1999**

[51] **LOC (7) Cl. 23-01**

[52] **U.S. Cl. D23/262**

[58] **Field of Search D23/259, 262, D23/265; 285/2, 33, 114, 328, 417, 24; 126/314**

[56] **References Cited**

U.S. PATENT DOCUMENTS

5,176,406	1/1993	Straghan	285/24
5,873,608	2/1999	Tharp et al.	285/114

Primary Examiner—Alan P. Douglas
Assistant Examiner—Reid Hecker
Attorney, Agent, or Firm—Heisler & Associates

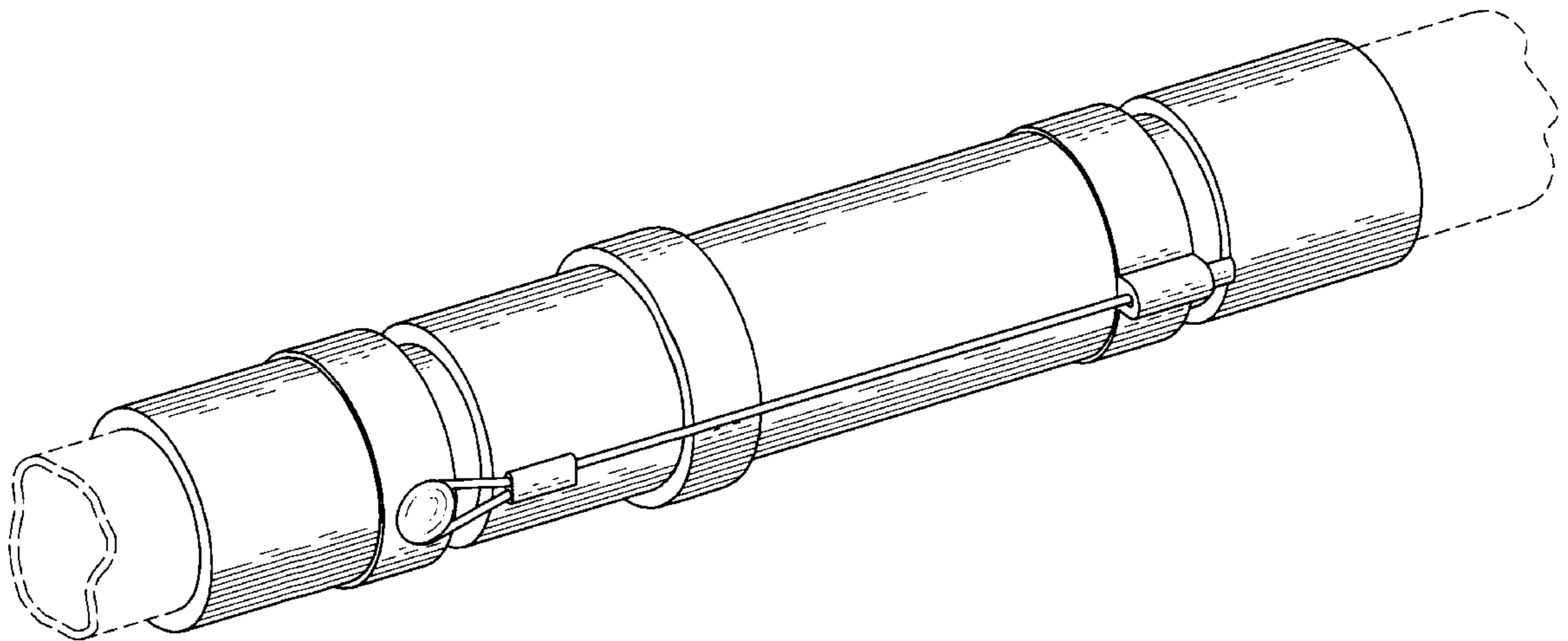
[57] **CLAIM**

The ornamental design for a temporary pipe coupling system, as shown and described.

DESCRIPTION

FIG. 1 is a perspective view of a temporary pipe coupling system shown in a coupled configuration; FIG. 2 is a perspective view of that which is shown in FIG. 1 with separate portions of the temporary pipe coupling system decoupled from each other; FIG. 3 is a front elevation view of a left half of the temporary pipe coupling system of this invention; FIG. 4 is a top plan view of that which is shown in FIG. 3; FIG. 5 is a left end view of FIG. 3, it being understood that the right end is a mirror image thereof except that the inner pipe would be shown in full lines; FIG. 6 is a front elevation view of a right half of the temporary pipe coupling system of this invention; FIG. 7 is a top plan view of that which is shown in FIG. 6; FIG. 8 is a left end view of that which is shown in FIG. 6; and, FIG. 9 is a right end view of that which is shown in FIG. 6. The broken line showing of environment structure is for illustrative purposes only and forms no part of the claimed design.

1 Claim, 3 Drawing Sheets



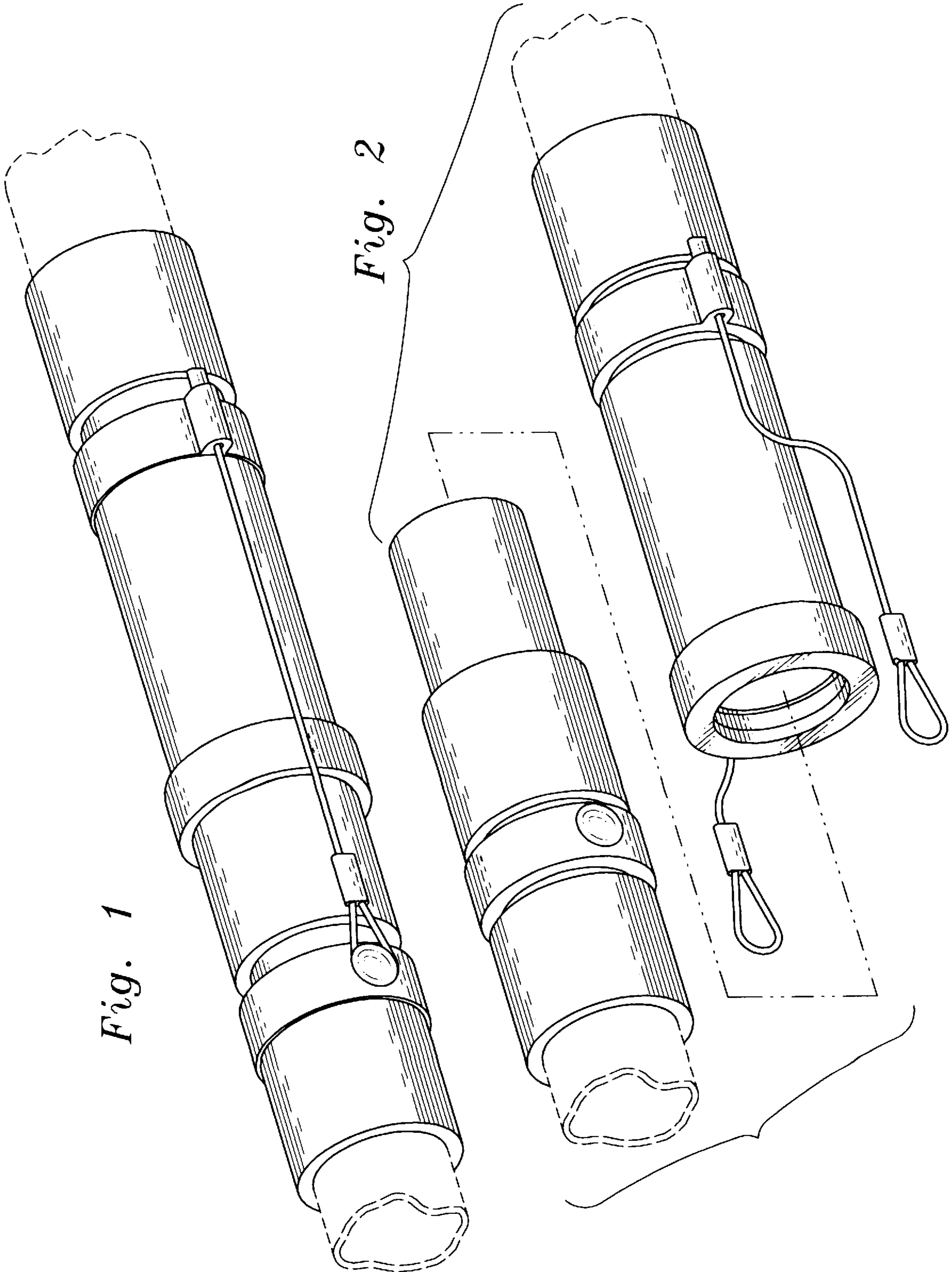


Fig. 1

Fig. 2

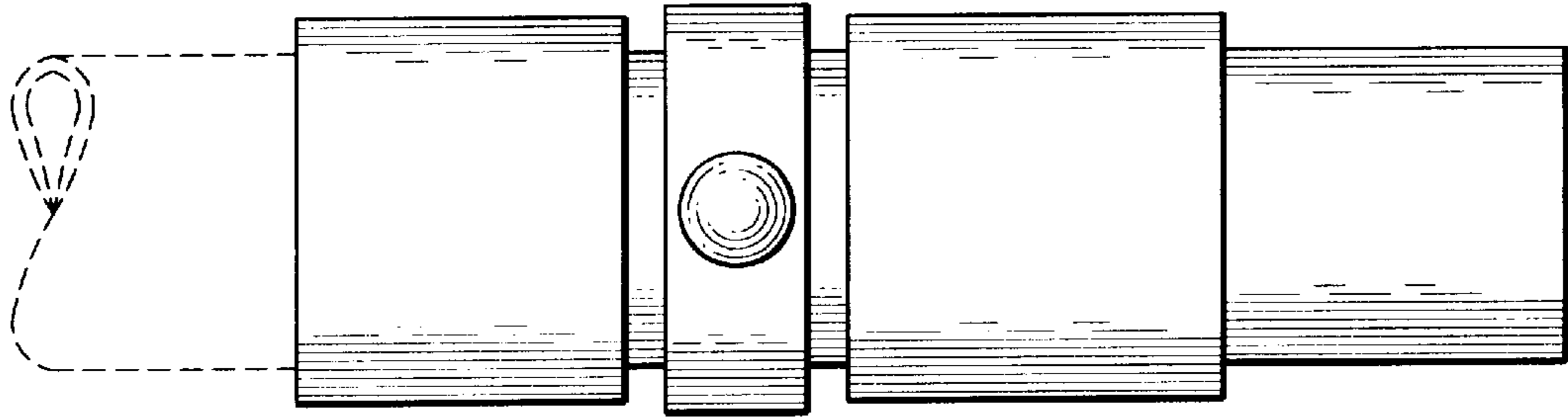


Fig. 3

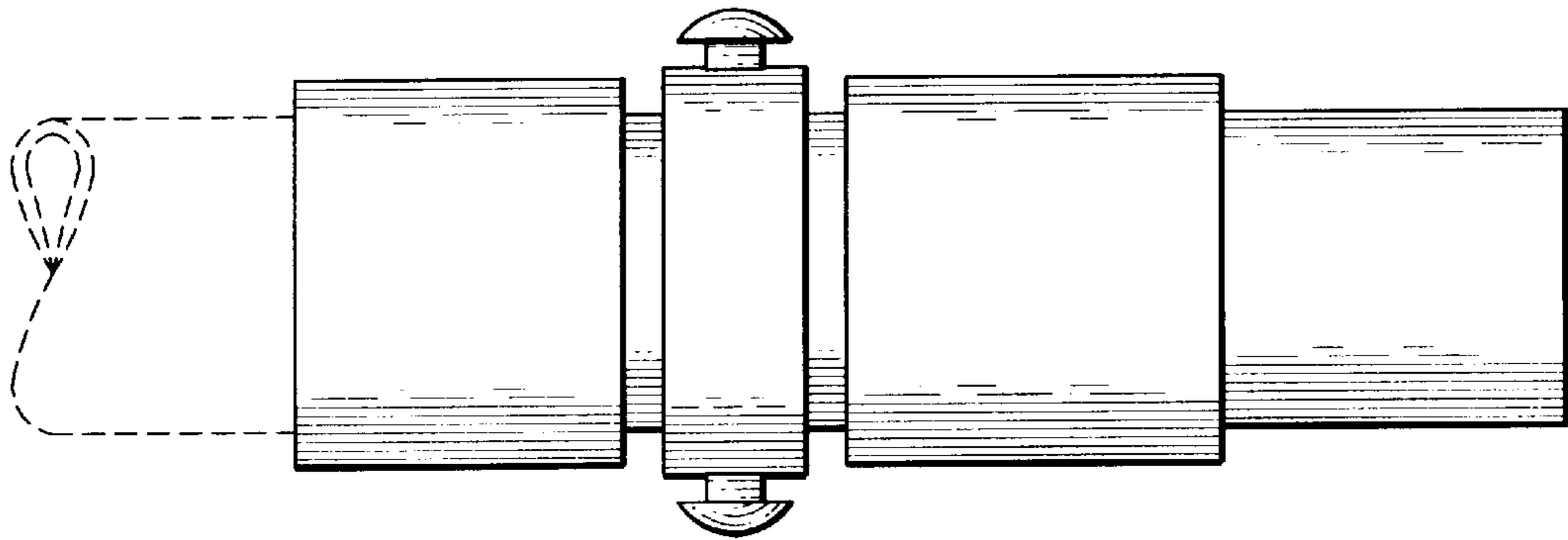


Fig. 4

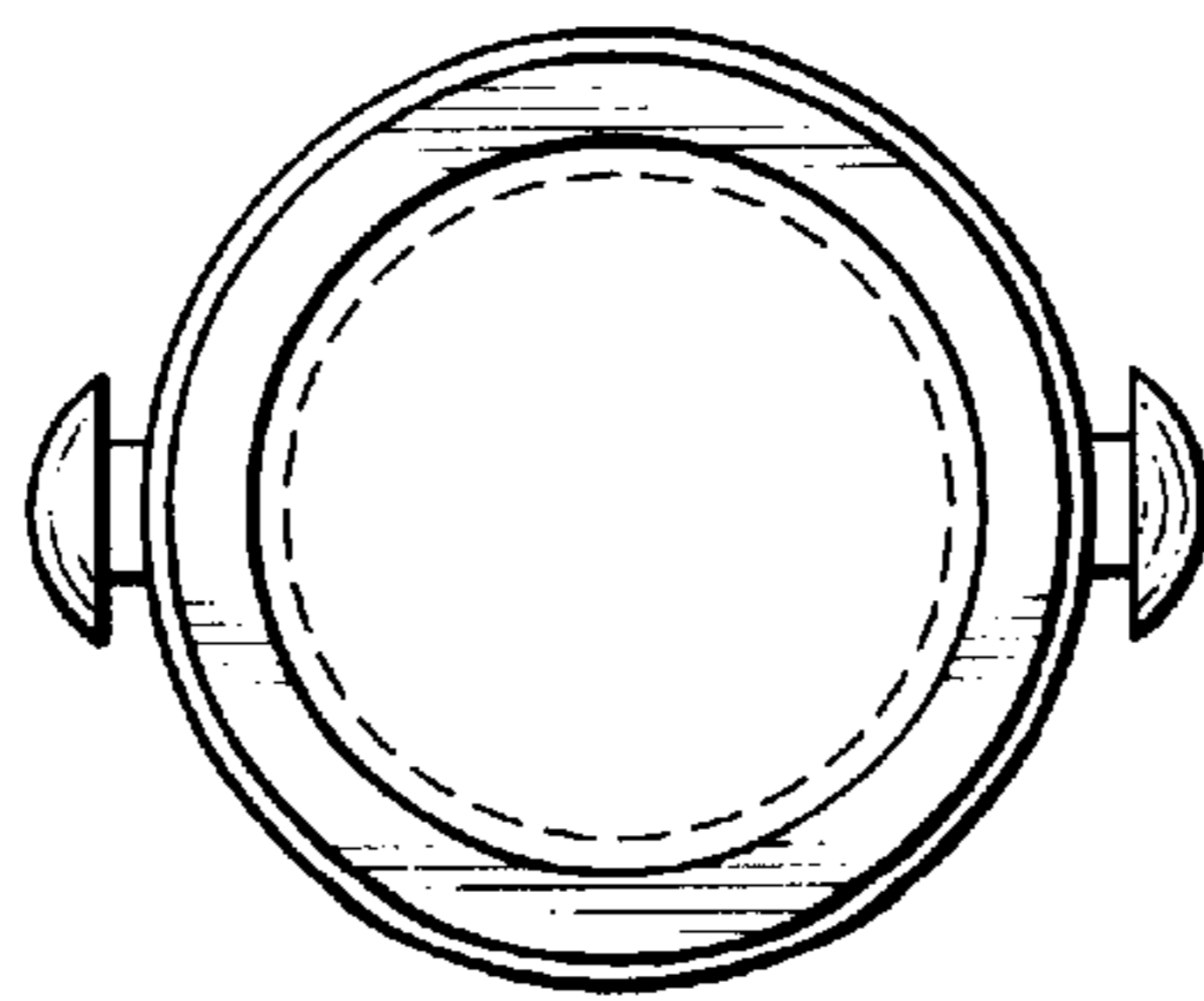


Fig. 5

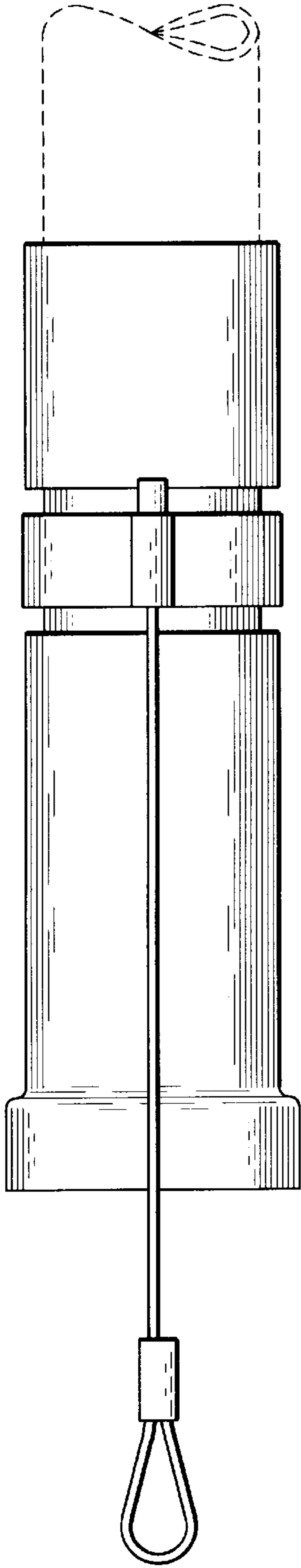


Fig. 6

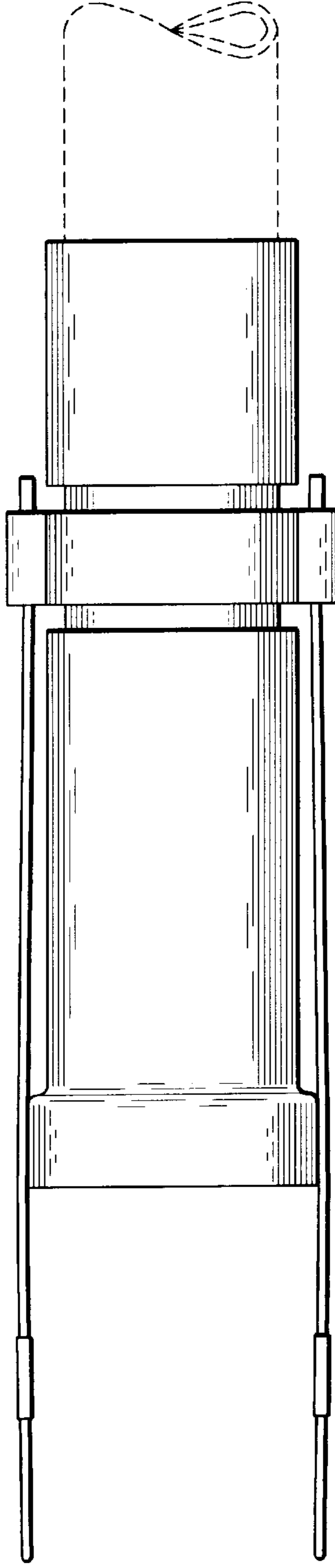


Fig. 7

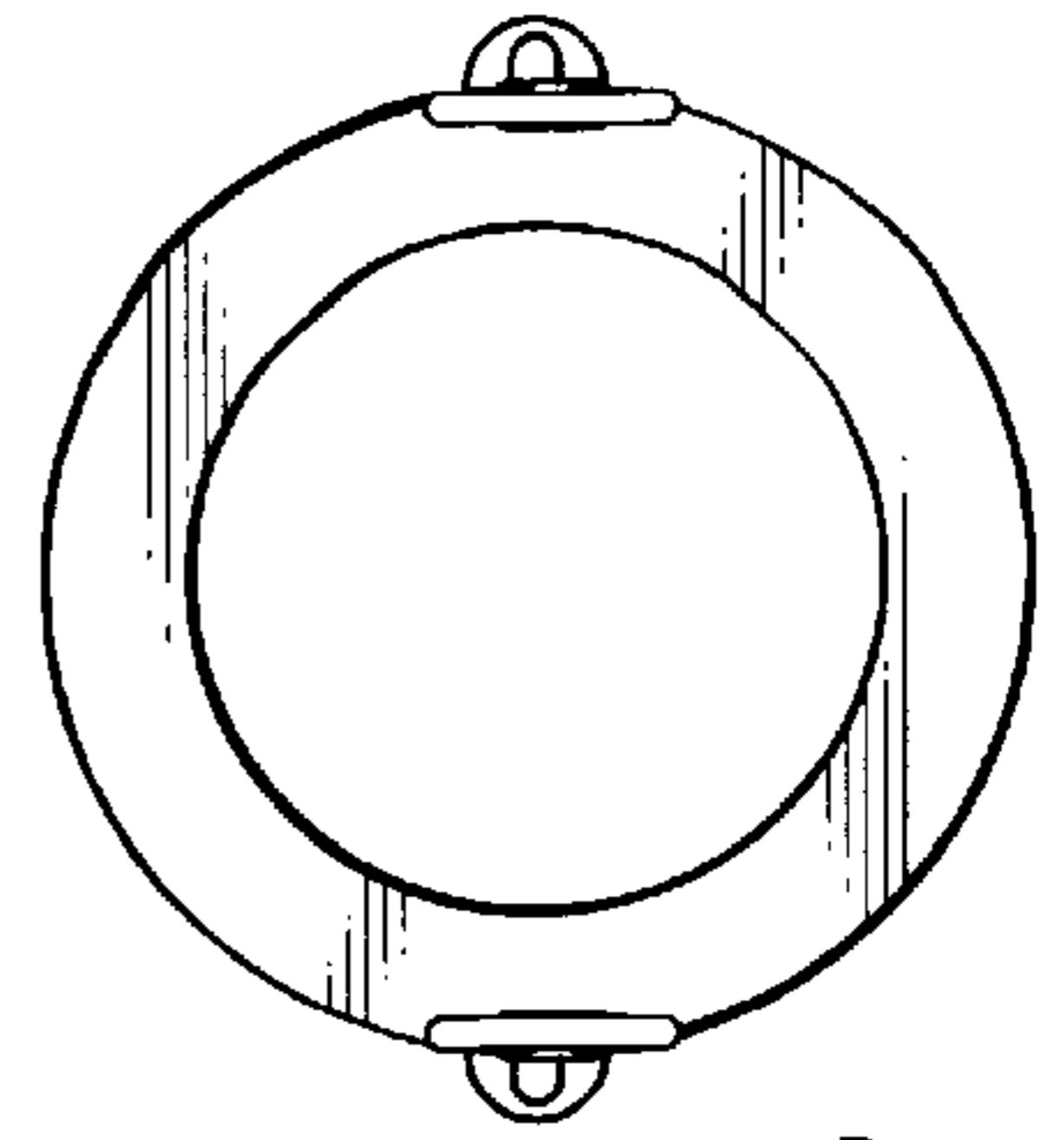


Fig. 8

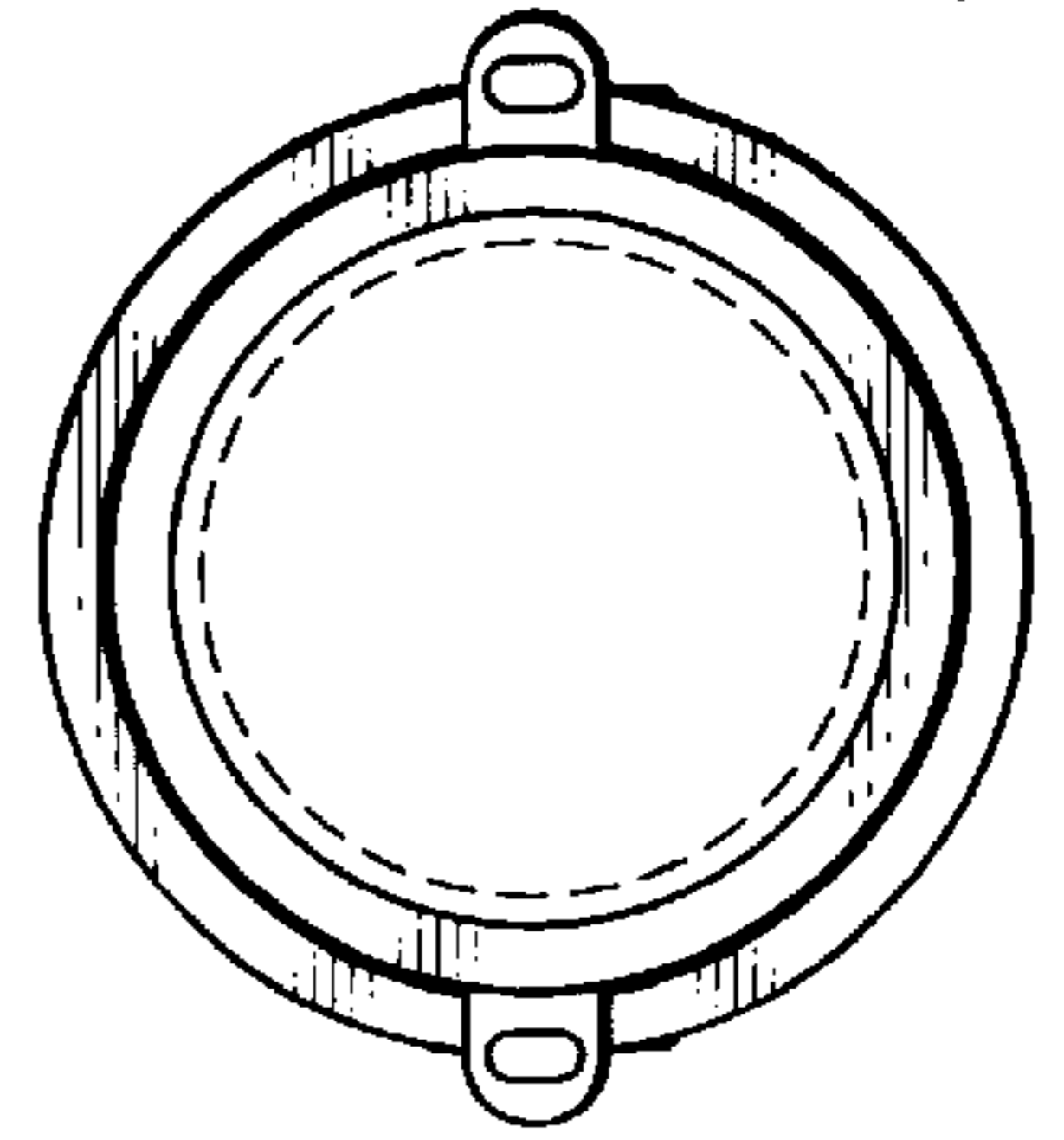


Fig. 9