



US00D425179S

United States Patent [19]

[11] Patent Number: **Des. 425,179**

Wrigley et al.

[45] Date of Patent: **** May 16, 2000**

[54] VALVE ASSEMBLY

D. 319,866	9/1991	Rogers	D23/235
D. 376,412	12/1996	Bodell	D23/233
1,287,618	12/1918	Benjamin	137/515.3
2,936,777	5/1960	Kisten	137/454.5
4,903,725	2/1990	Ko	137/454.5

[75] Inventors: **Andrew Nicholson Wrigley; Vaughan Lyall Bycroft**, both of Auckland, New Zealand

[73] Assignee: **ITW New Zealand Limited**, New Zealand

Primary Examiner—Robin V. Taylor
Attorney, Agent, or Firm—Brown, Martin, Haller & McClain, LLP

[**] Term: **14 Years**

[57] CLAIM

[21] Appl. No.: **29/088,122**

The ornamental design for a valve assembly, as shown and described.

[22] Filed: **May 14, 1998**

[30] Foreign Application Priority Data

DESCRIPTION

Nov. 14, 1997 [NZ] New Zealand 28952

FIG. 1 is a perspective view of a valve assembly made according to the preferred embodiment of the present invention;

[51] LOC (7) Cl. **23-01**

FIG. 2 is a side elevational view thereof;

[52] U.S. Cl. **D23/233**

FIG. 3 is an opposite side elevational view thereof;

[58] Field of Search D23/233-237,
D23/247, 248; 137/454.5, 515.3

FIG. 4 is a top plan view thereof; and,

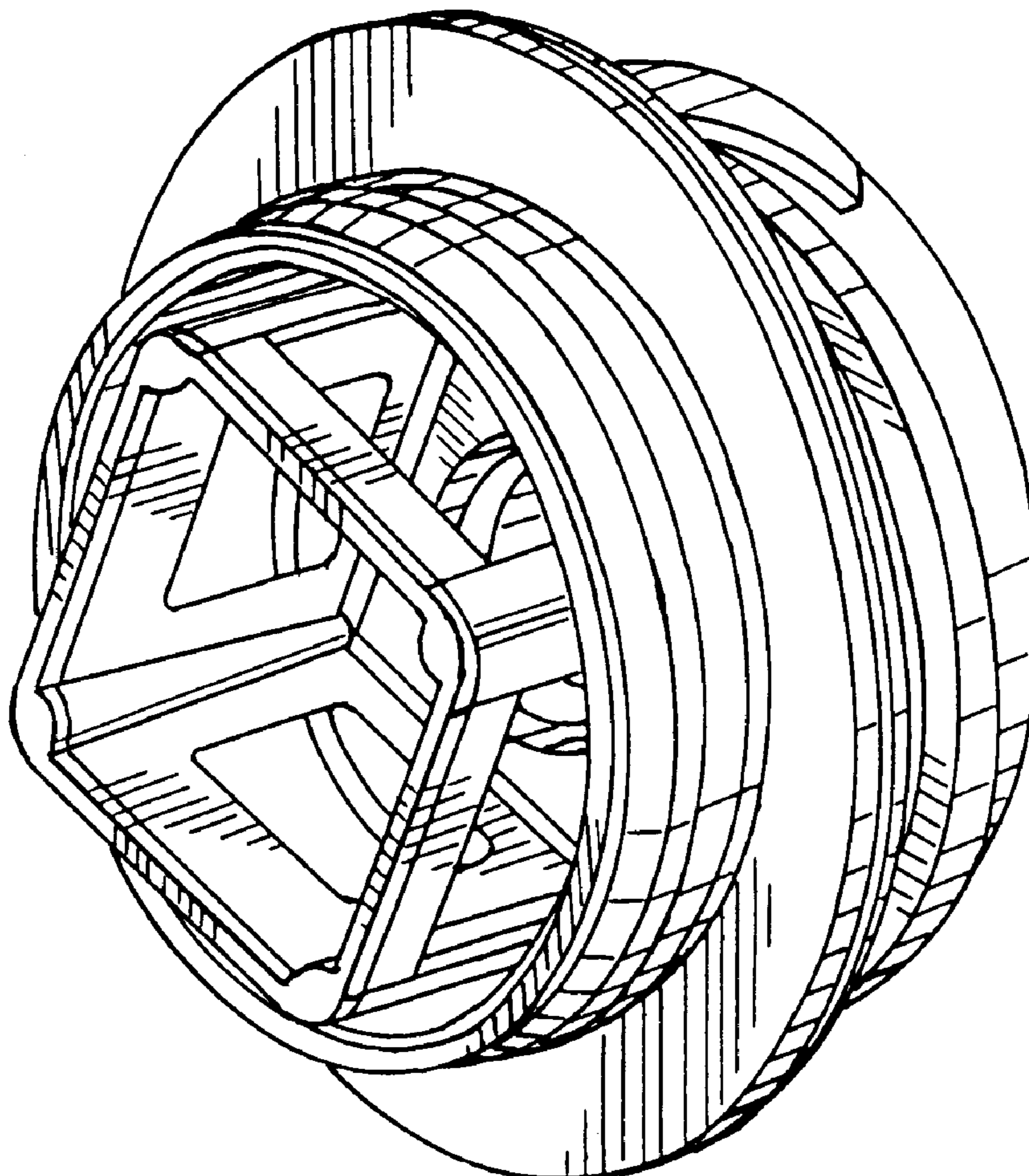
[56] References Cited

FIG. 5 is a bottom plan view thereof.

U.S. PATENT DOCUMENTS

D. 232,360 8/1974 Watts D23/235

1 Claim, 1 Drawing Sheet



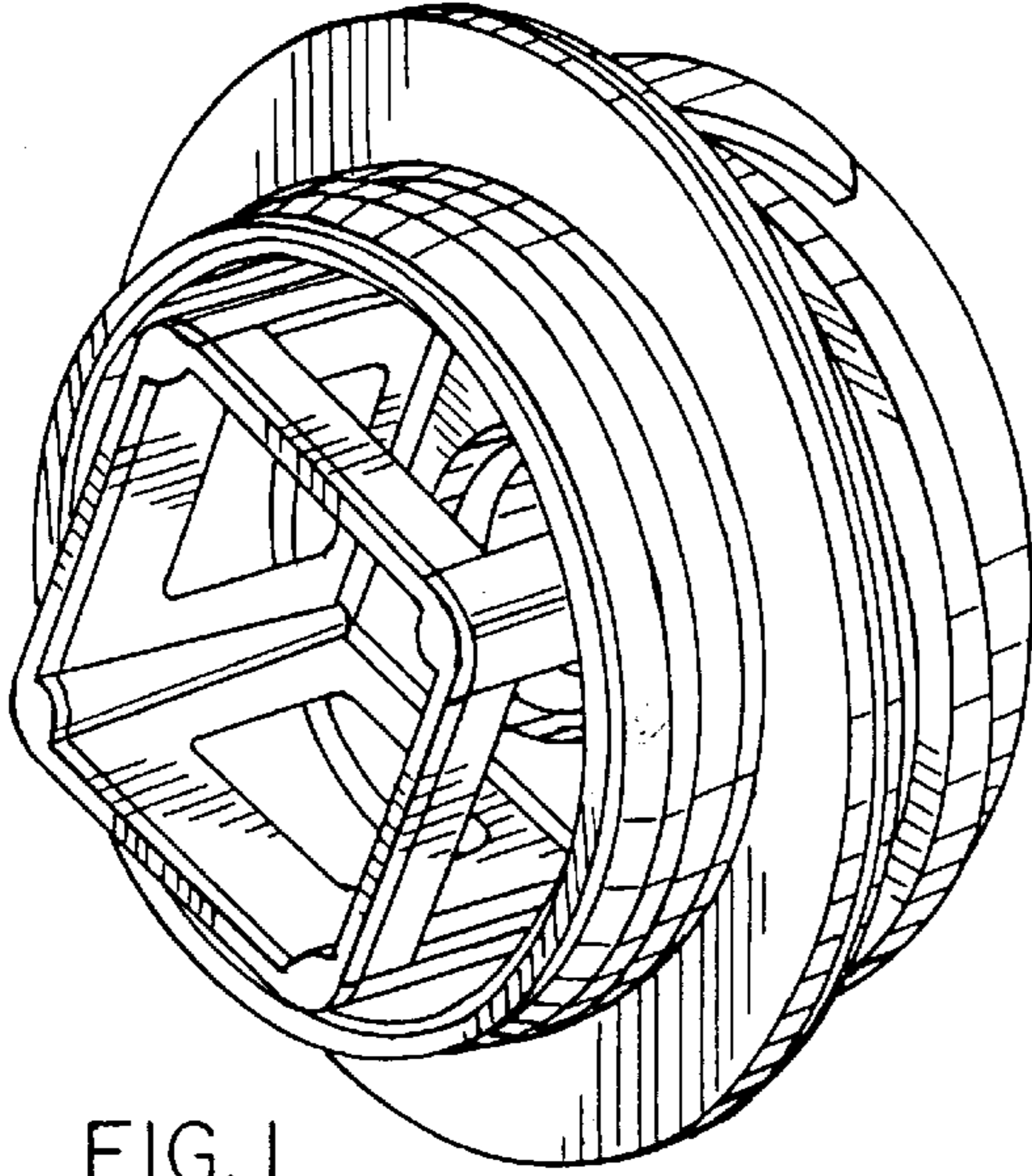


FIG. 1

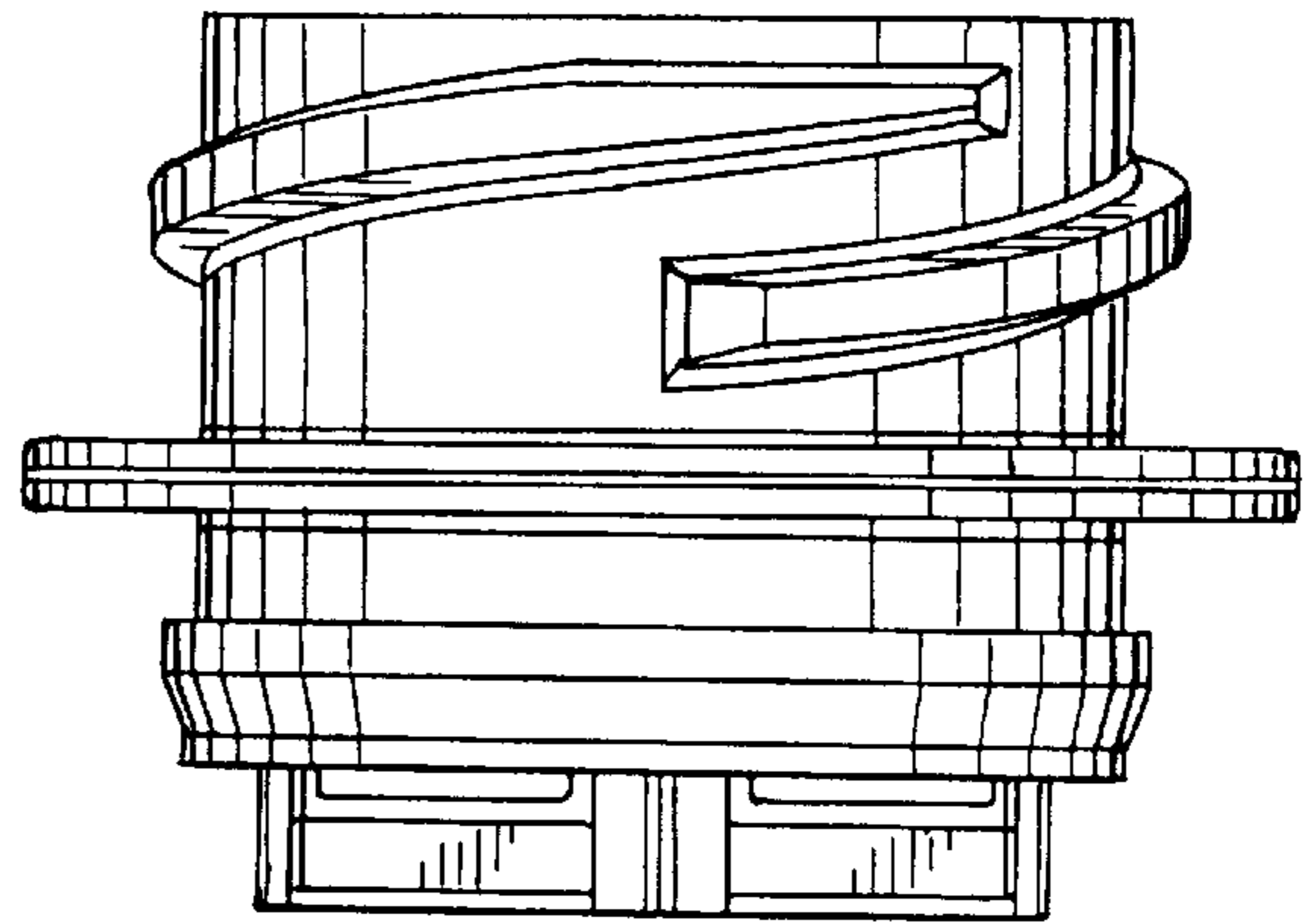


FIG. 2

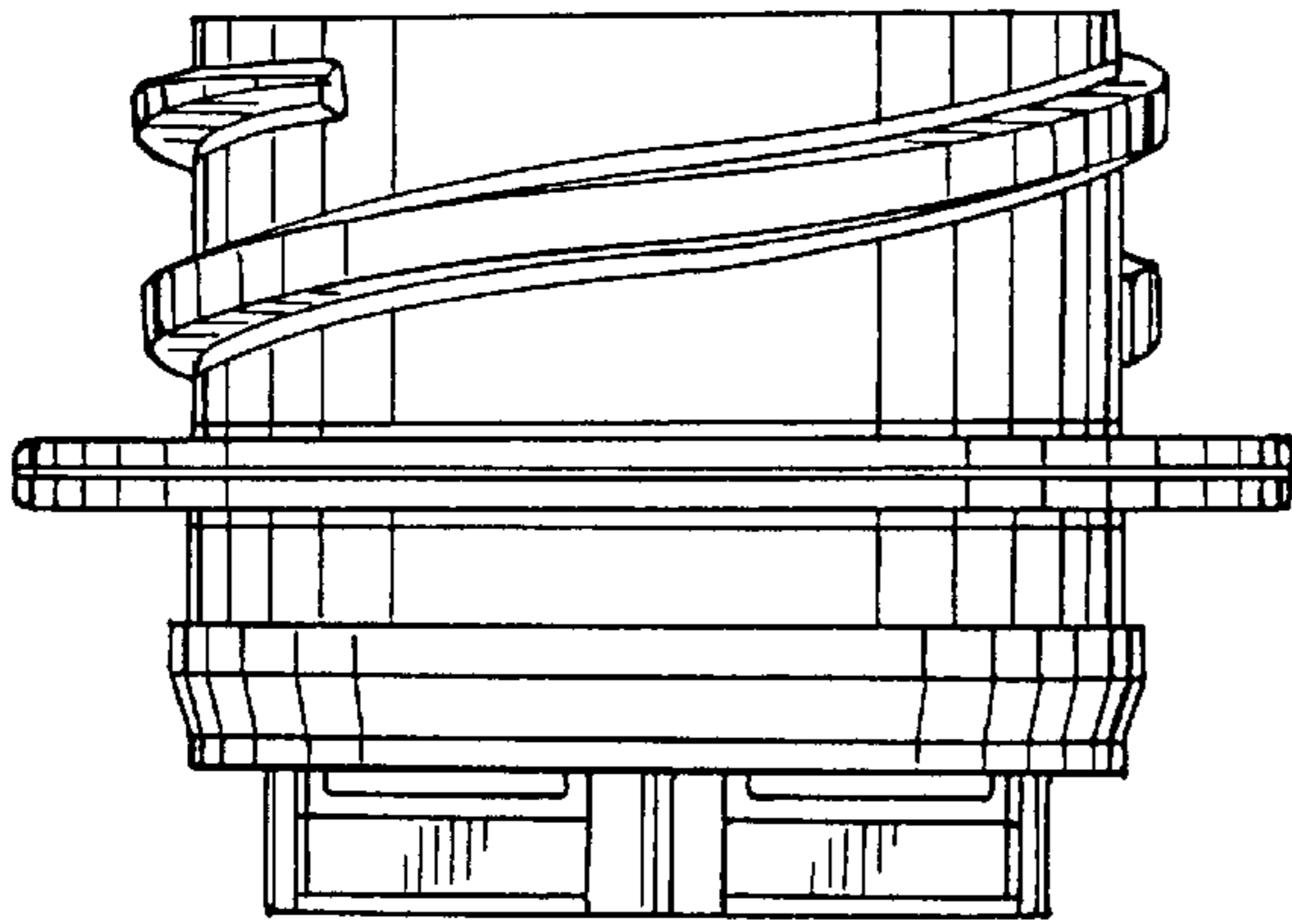


FIG. 3

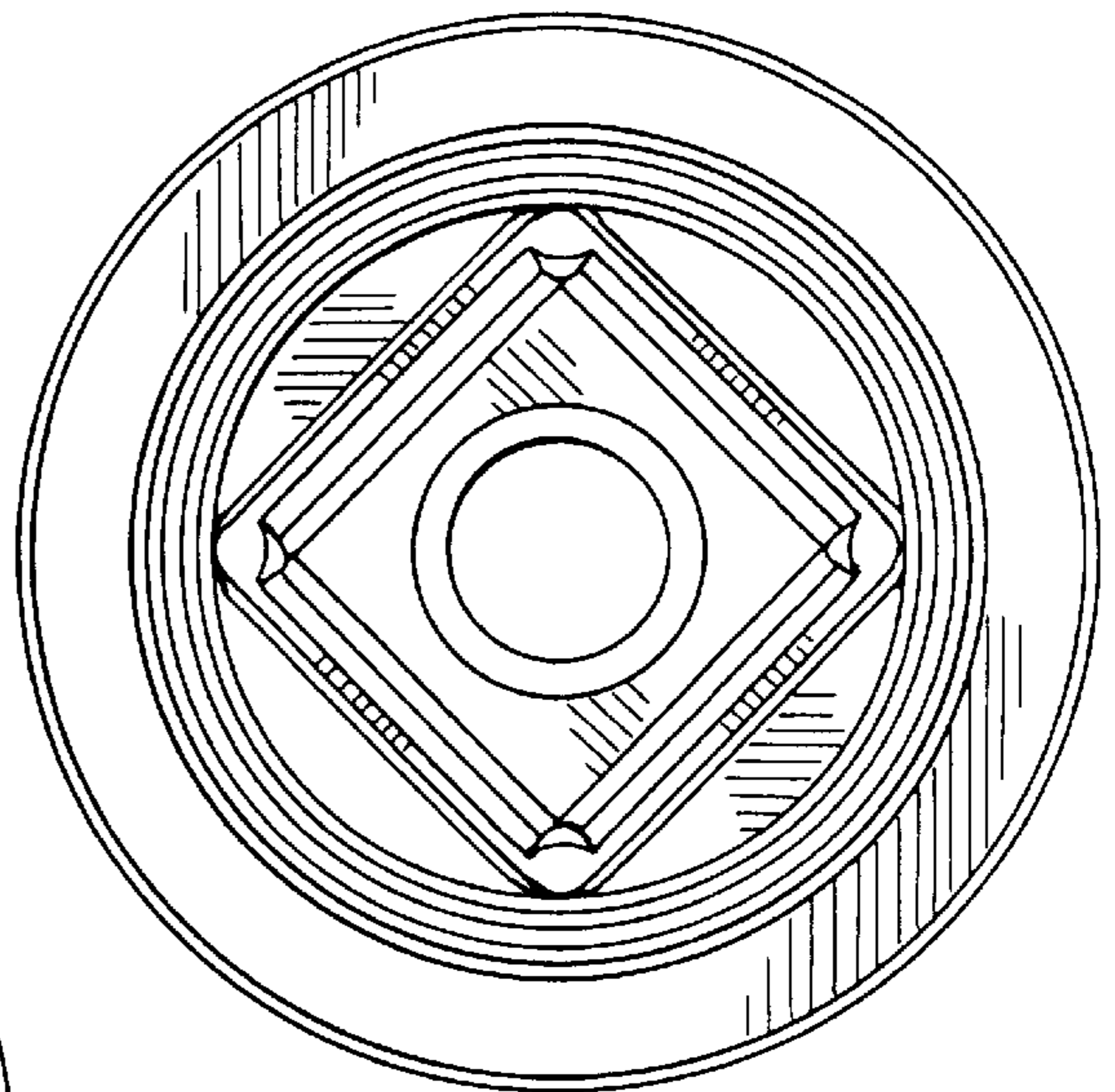


FIG. 4

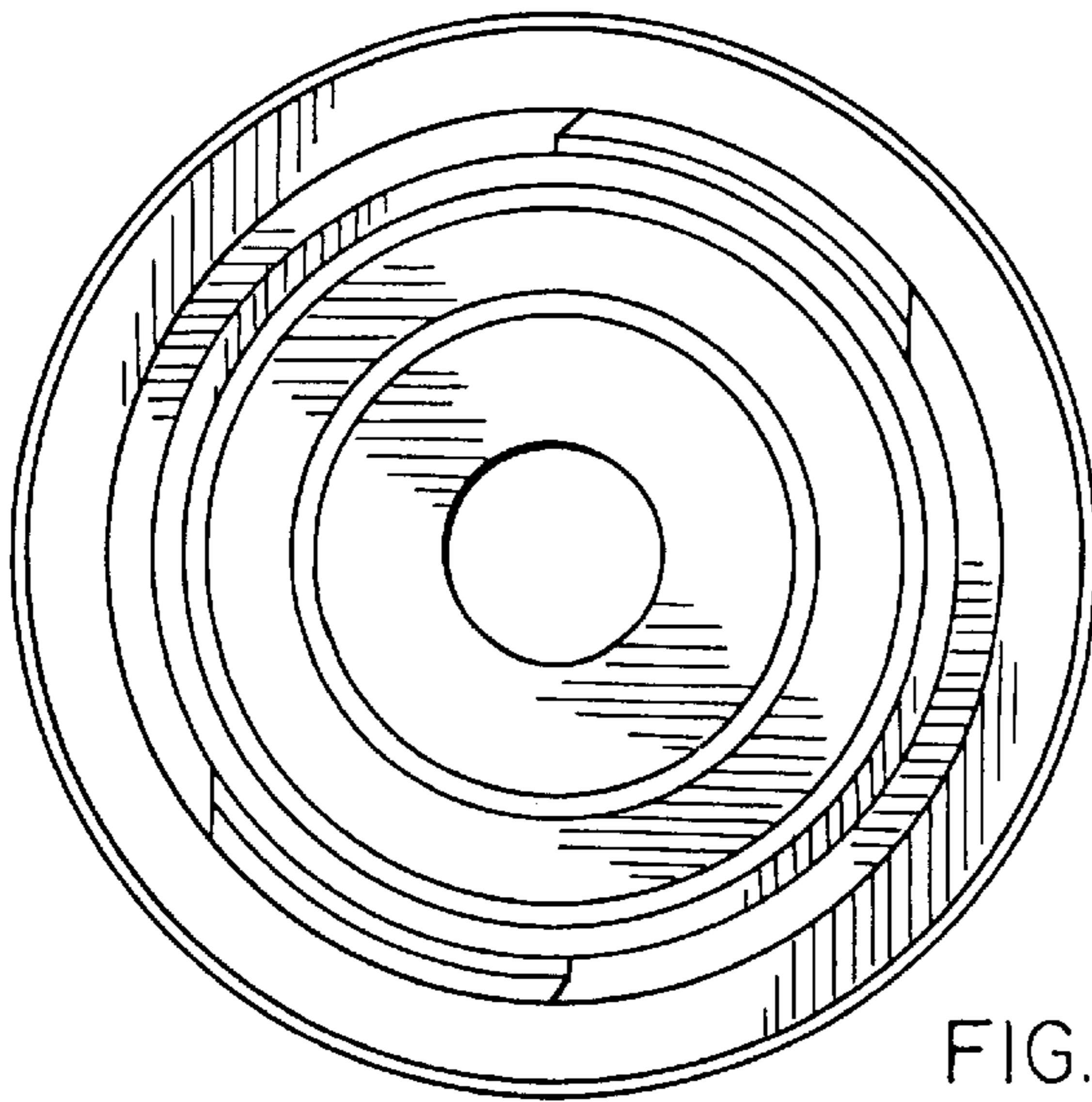


FIG. 5