



US00D425175S

United States Patent [19]
Spokoiny et al.

[11] **Patent Number: Des. 425,175**

[45] **Date of Patent: ** May 16, 2000**

[54] **WATER FILTER CAP**

[75] Inventors: **Albert Spokoiny**, Mercer Island, Wash.;
Eric Y. Park; **David Thorpe**, both of
Portland, Oreg.

[73] Assignee: **Brita Wasserfilter GmbH**, Taunusstein,
Germany

[**] Term: **14 Years**

[21] Appl. No.: **29/109,704**

[22] Filed: **Aug. 20, 1999**

[51] **LOC (7) Cl.** **23-01**

[52] **U.S. Cl.** **D23/209**

[58] **Field of Search** D23/207, 209;
D9/434, 445, 454; 210/232, 493.2

[56] **References Cited**

U.S. PATENT DOCUMENTS

D. 320,062	9/1991	Meissner	D23/209
D. 349,946	8/1994	Harty	D23/209
D. 403,586	1/1999	Bakic	D9/454
D. 405,012	2/1999	Krautkramer	D9/454
D. 412,551	8/1999	Smith et al.	D23/209
4,588,464	5/1986	Miyagi et al.	210/493.2
4,878,930	11/1989	Manniso et al.	210/493.2

Primary Examiner—Robin V. Taylor
Attorney, Agent, or Firm—Seed IP Law Group

[57] **CLAIM**

The ornamental design for a water filter cap, as shown and described.

DESCRIPTION

FIG. 1 is a front perspective view of a water filter cap showing my new design.

FIG. 2 is a top plan view thereof.

FIG. 3 is a side elevational view thereof.

FIG. 4 is a bottom plan view thereof.

FIG. 5 is a front perspective view of a first alternative embodiment thereof.

FIG. 6 is a top pan view of FIG. 5.

FIG. 7 is a side elevational view of FIG. 5.

FIG. 8 is a bottom plan of FIG. 5.

FIG. 9 is a front perspective view of a second alternative embodiment thereof.

FIG. 10 is a top plan view of FIG. 9.

FIG. 11 is a side elevational view of FIG. 9.

FIG. 12 is a bottom plan view of FIG. 9.

FIG. 13 is a front perspective view of a third alternative embodiment thereof.

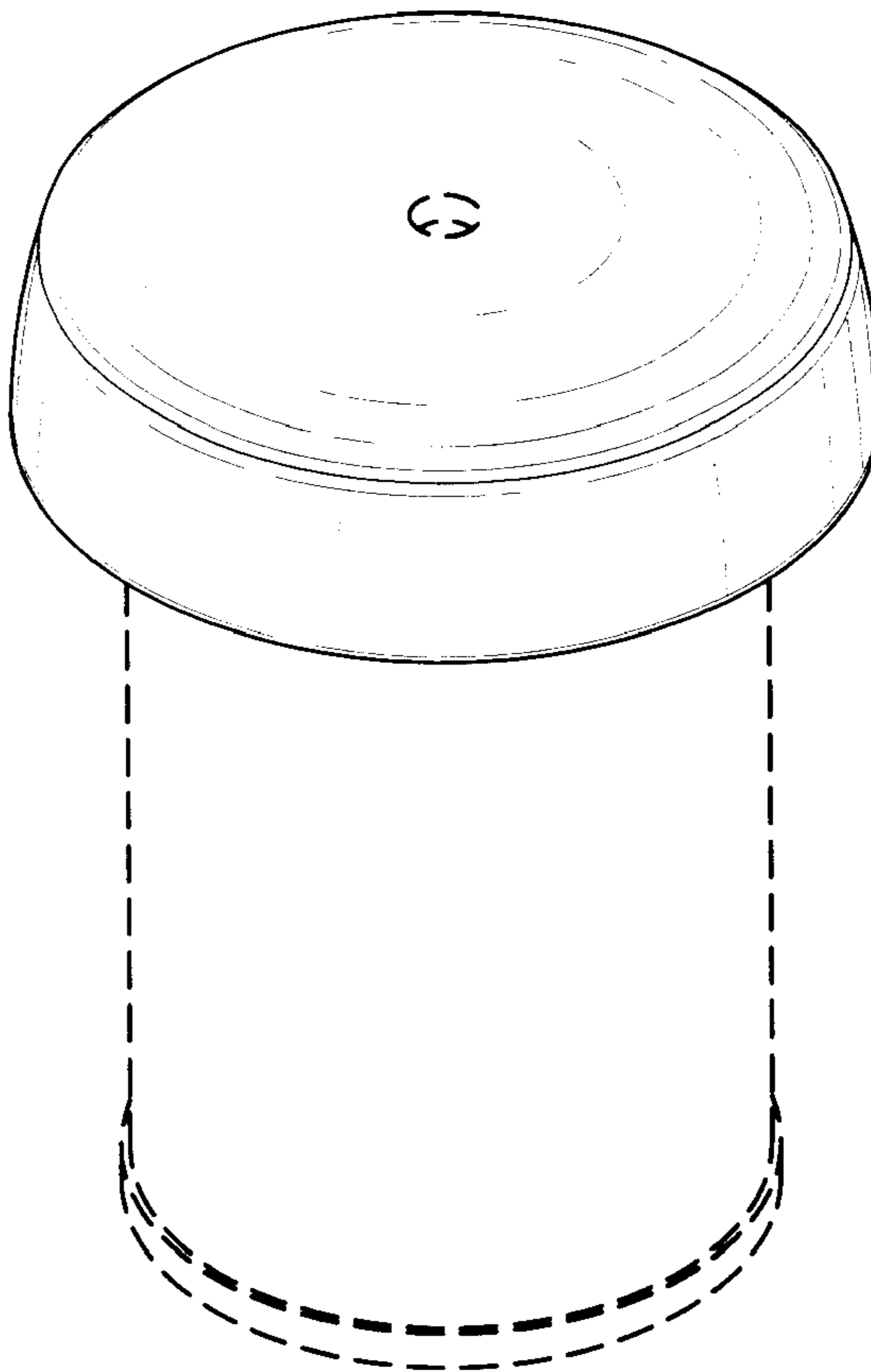
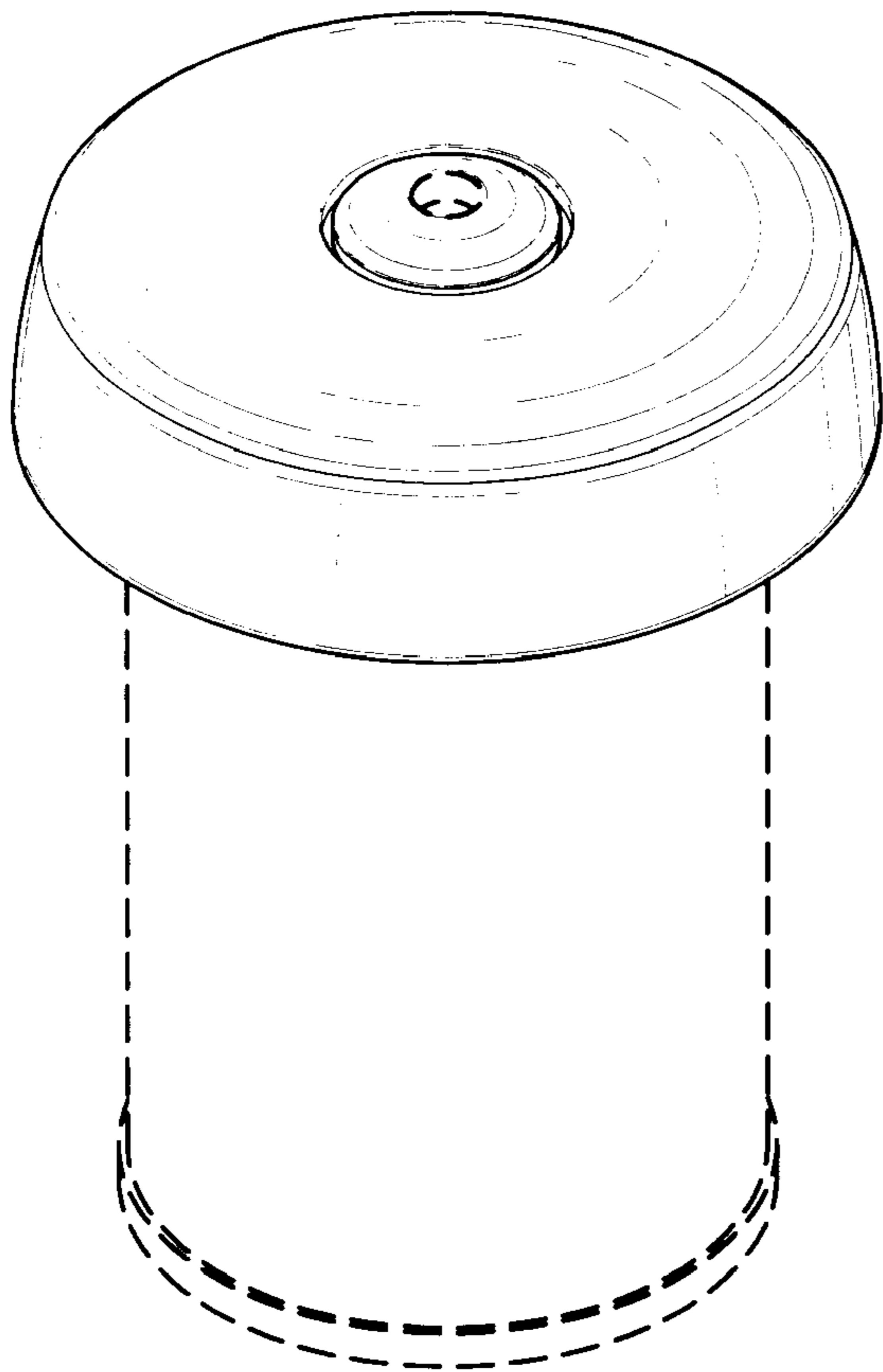
FIG. 14 is a top plan view of FIG. 13.

FIG. 15 is a side elevational view of FIG. 13; and,

FIG. 16 is a bottom plan view of FIG. 13.

The broken lines shown in the drawings are for illustrative purposes only and form no part of the claimed design.

1 Claim, 4 Drawing Sheets



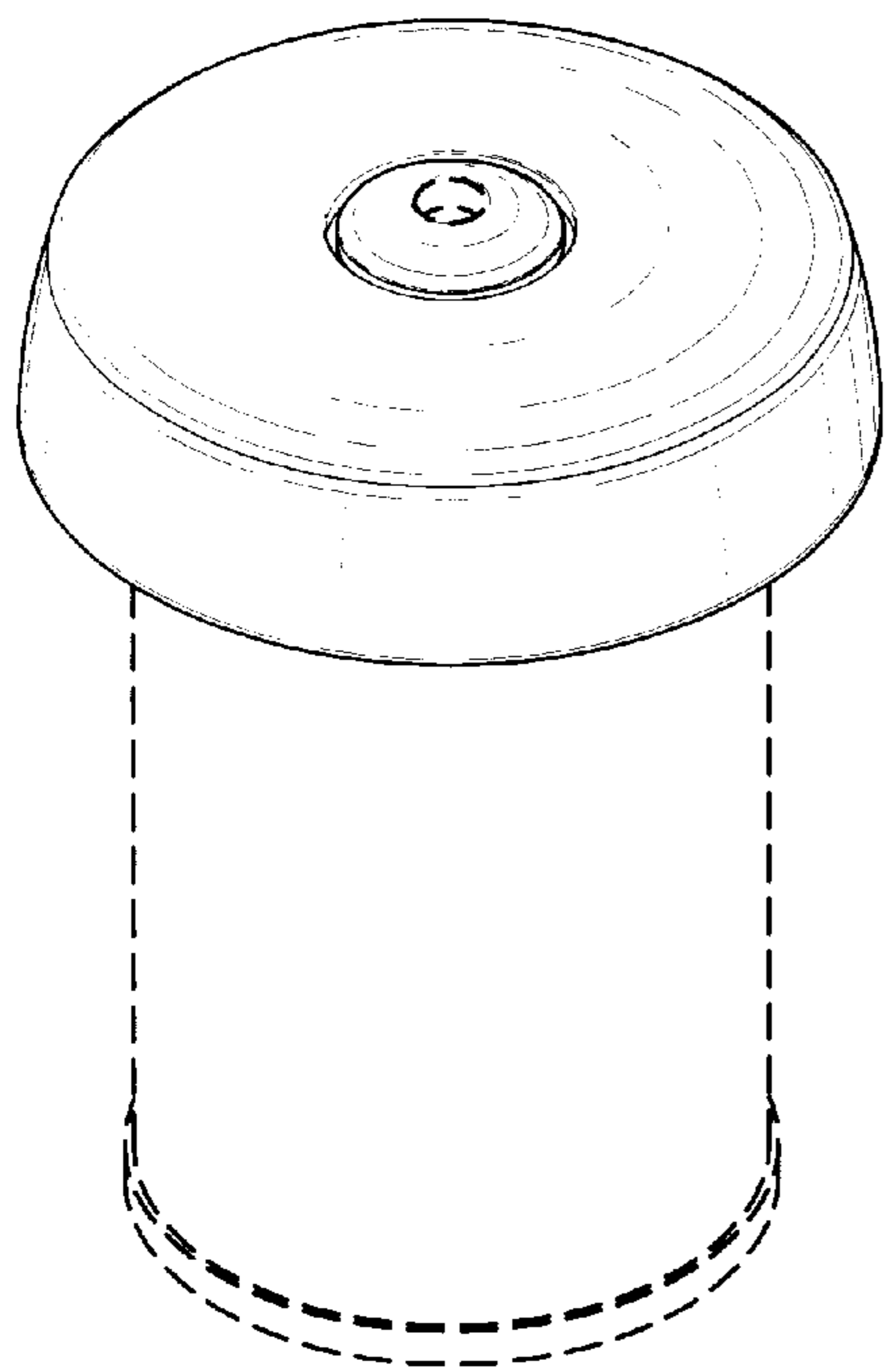


Fig. 1

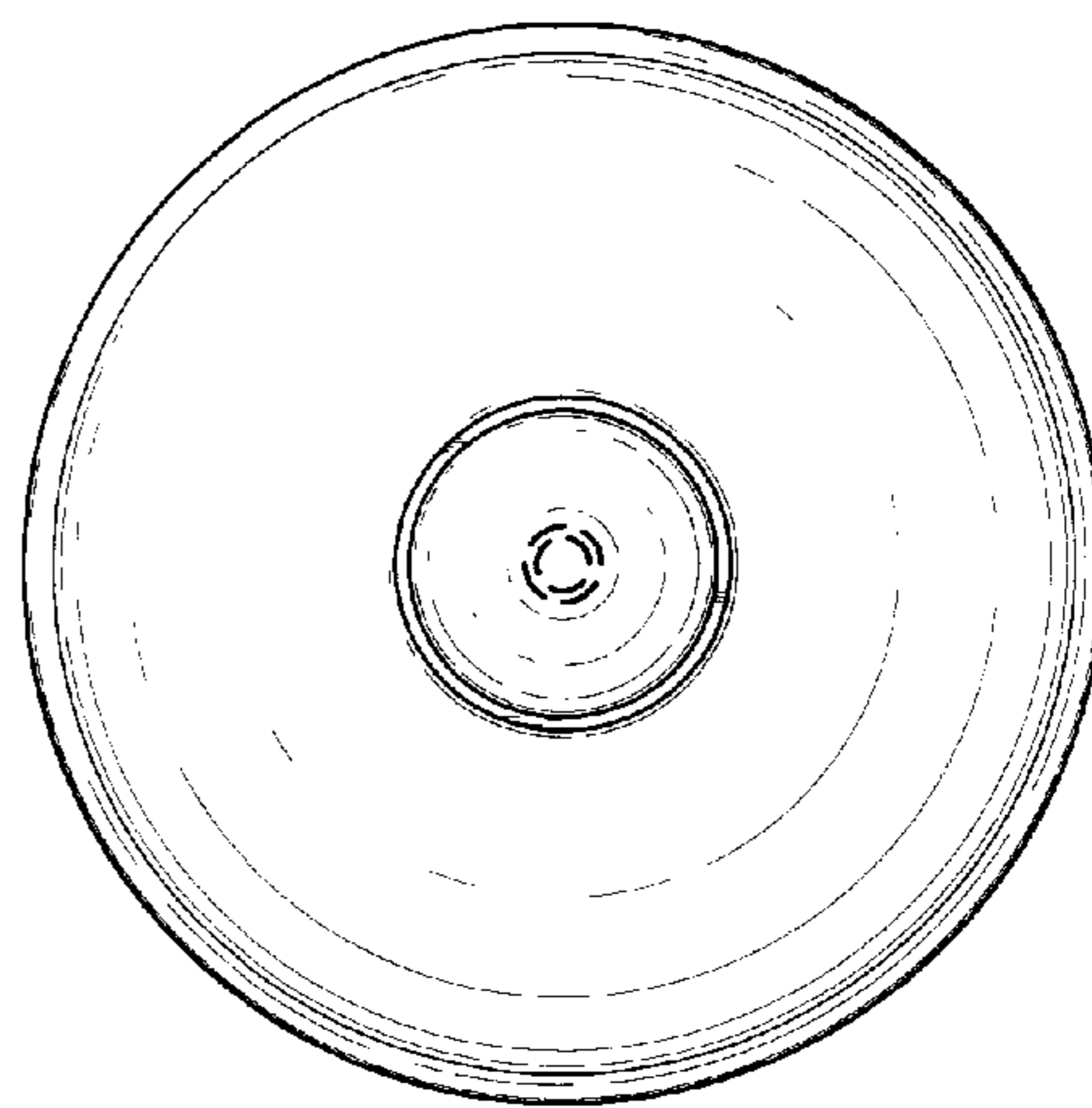


Fig. 2

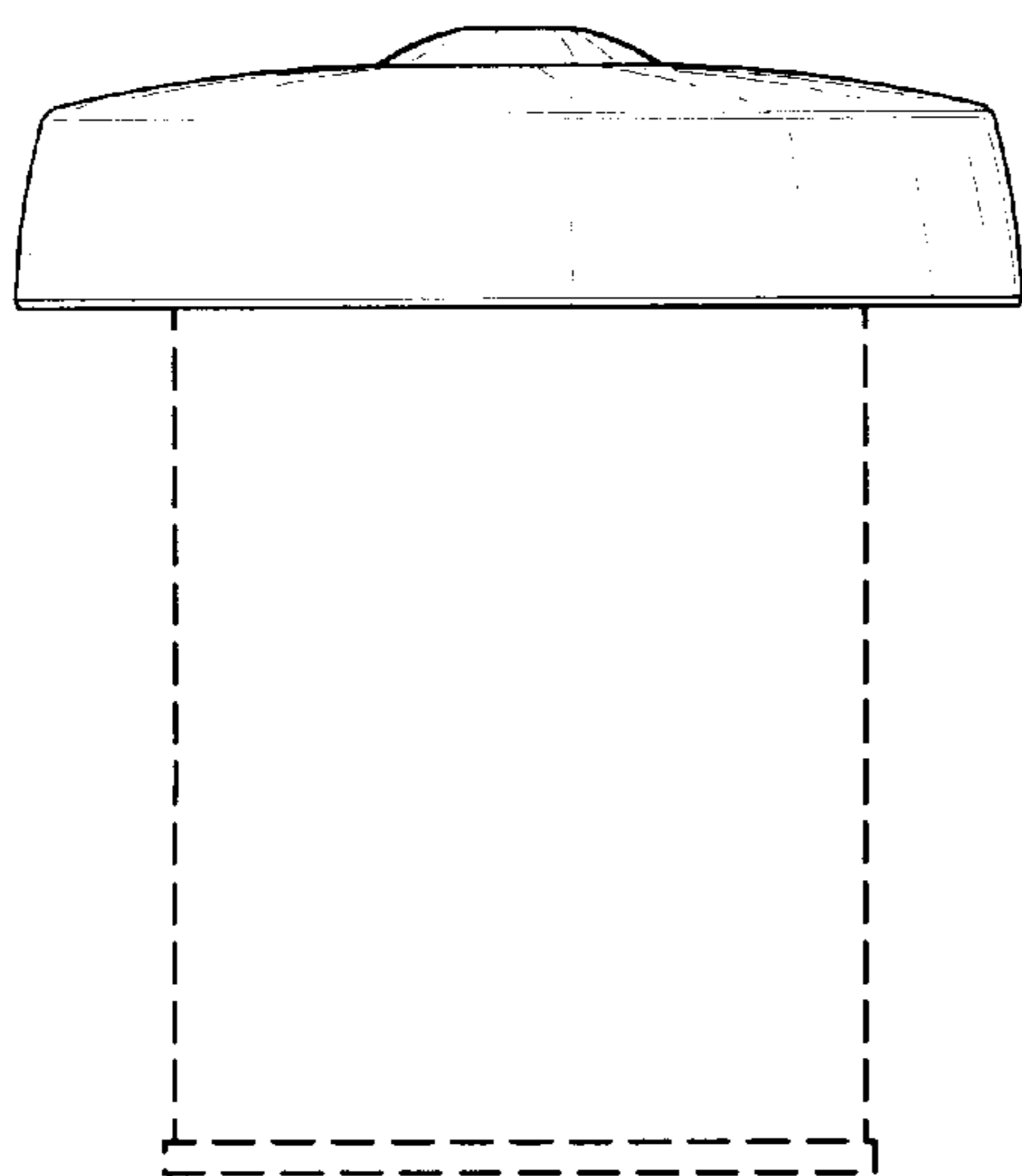


Fig. 3

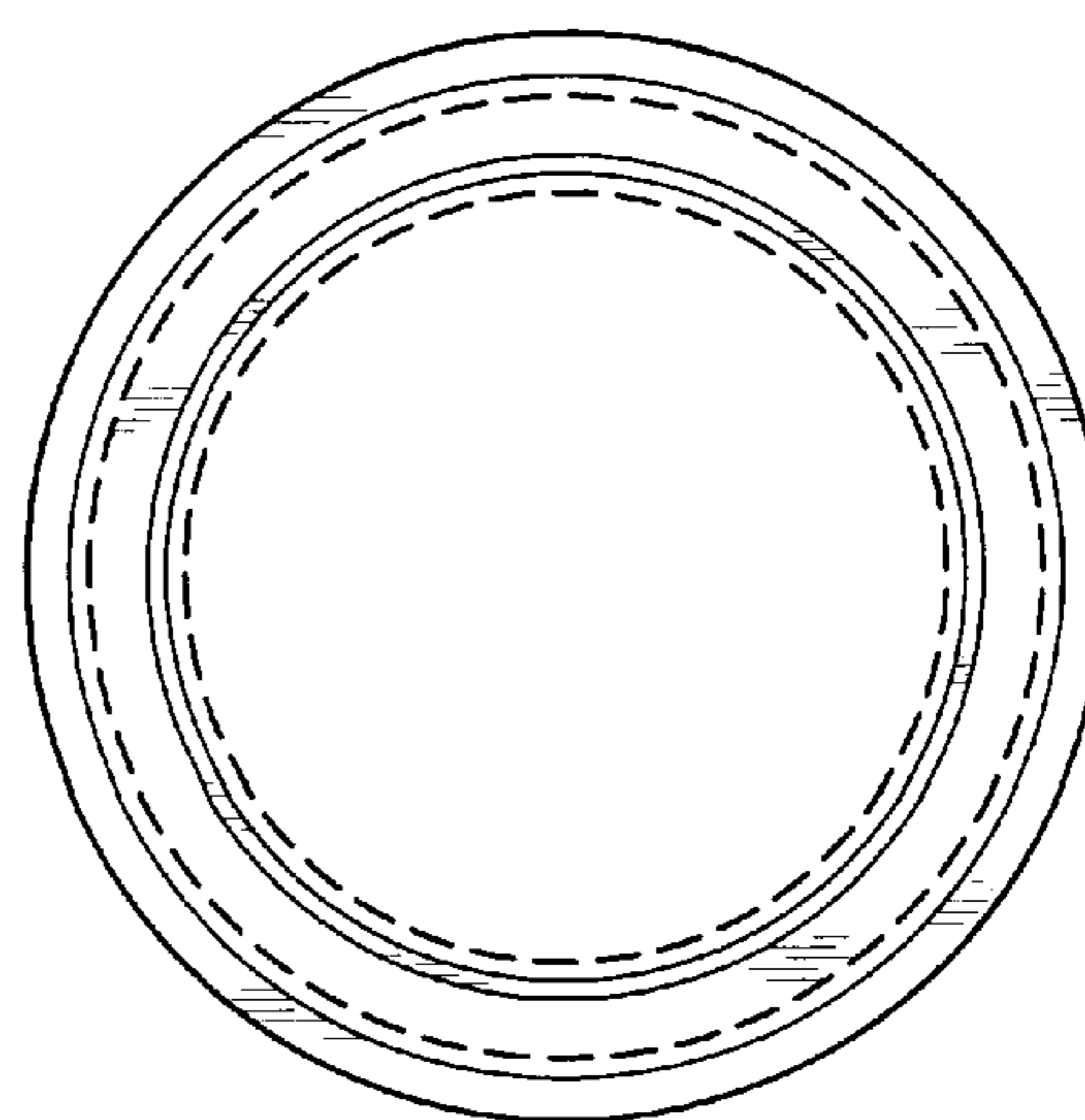


Fig. 4

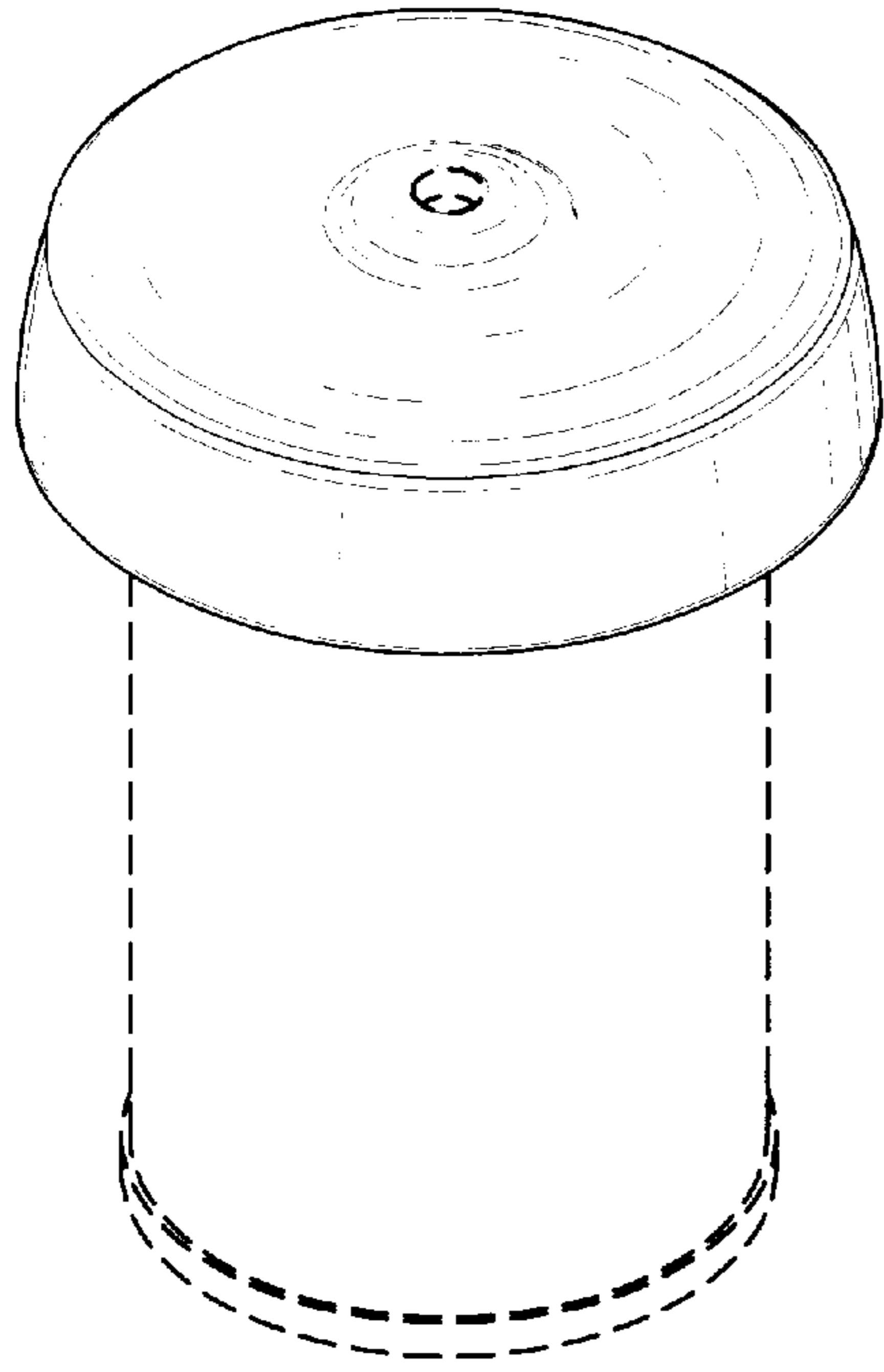


Fig. 5

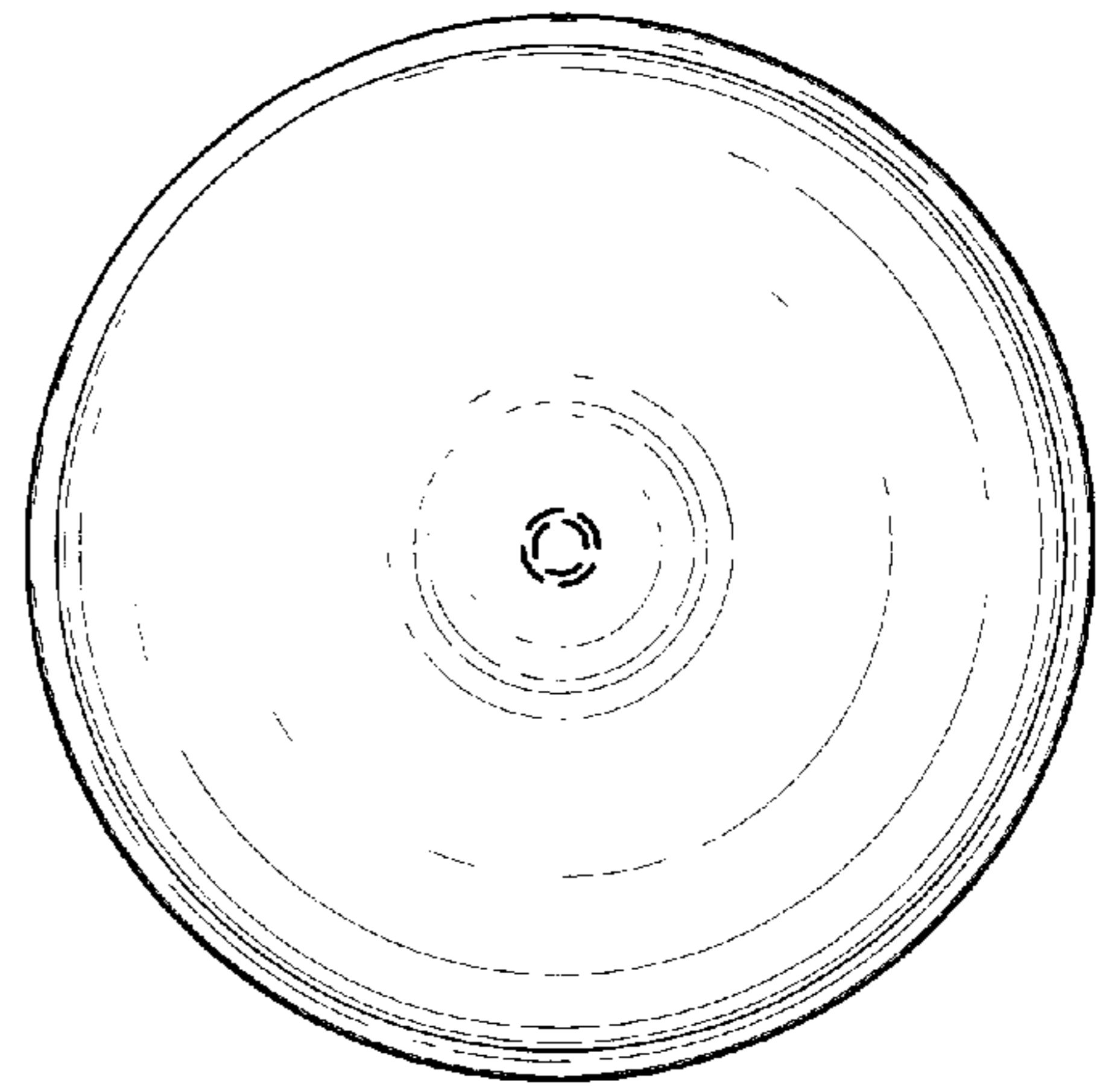


Fig. 6

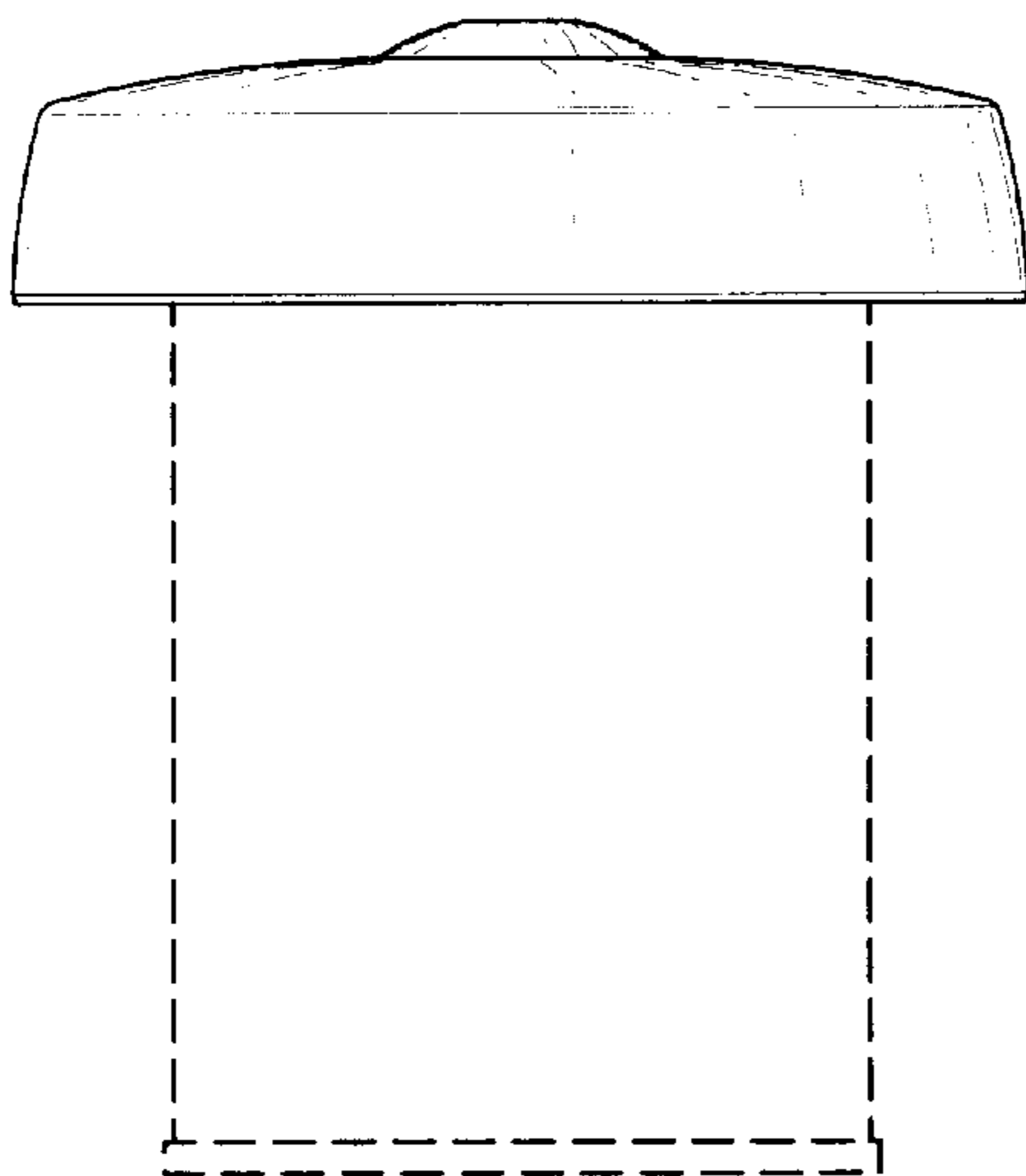


Fig. 7

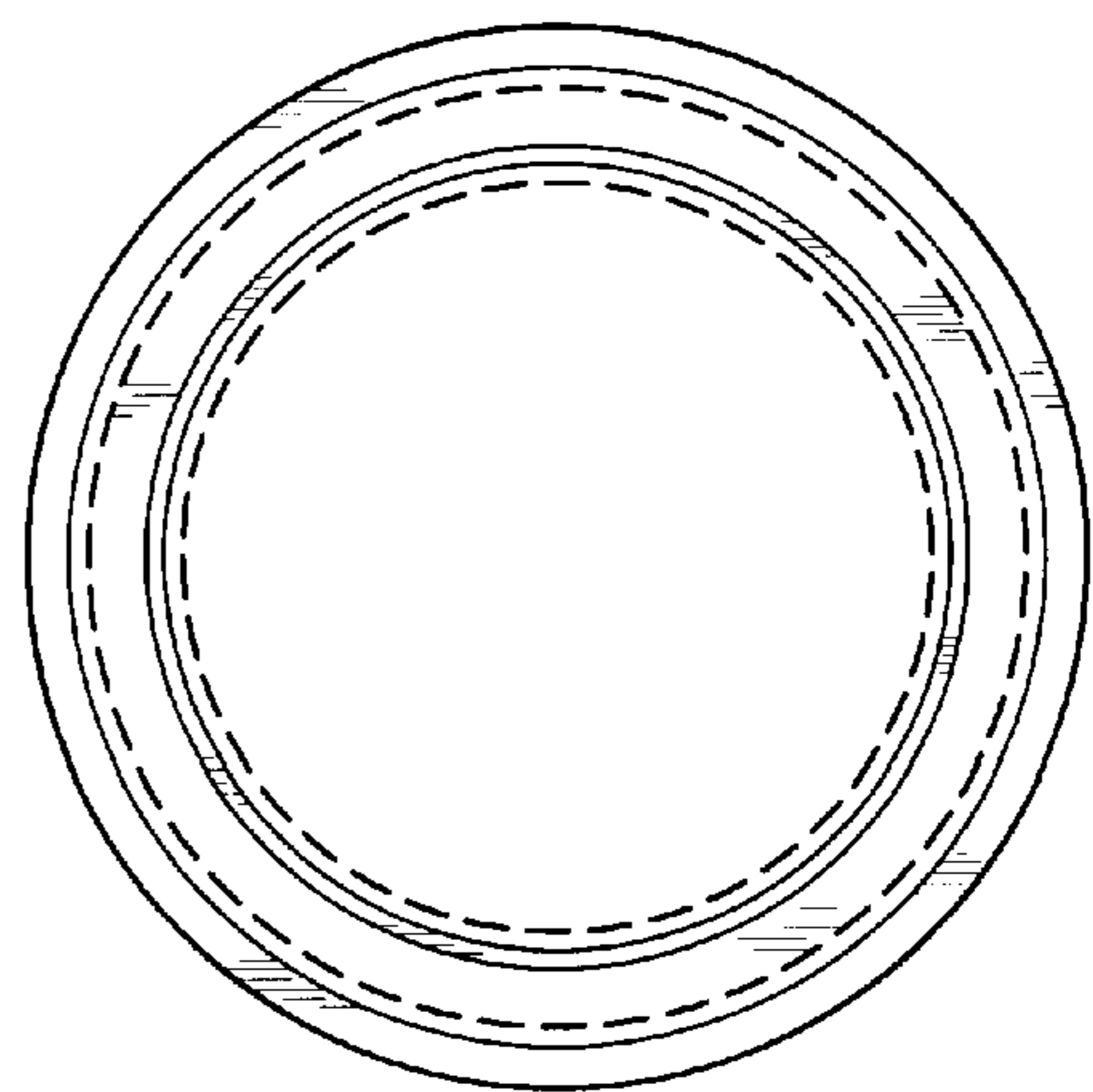


Fig. 8

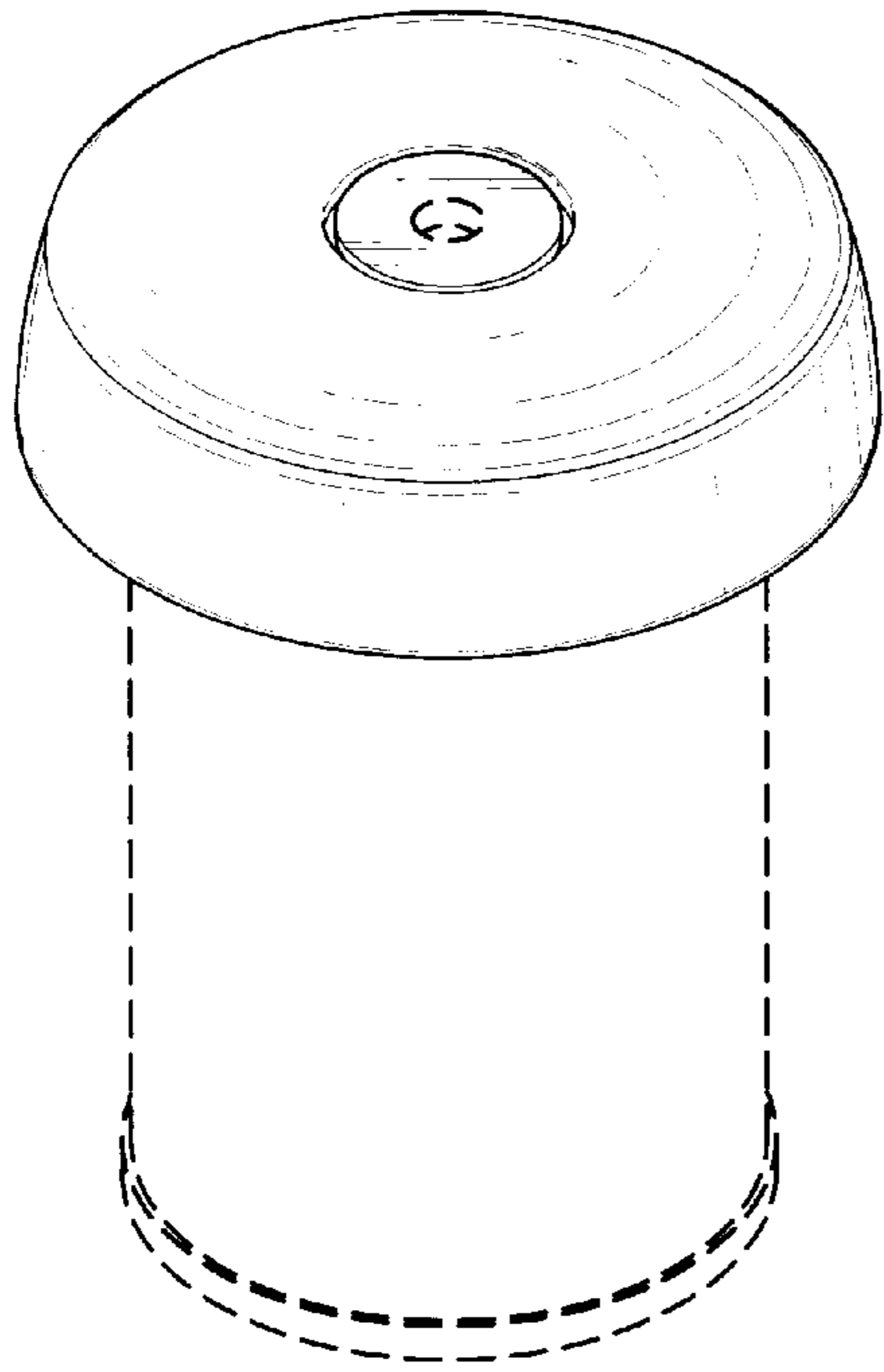


Fig. 9

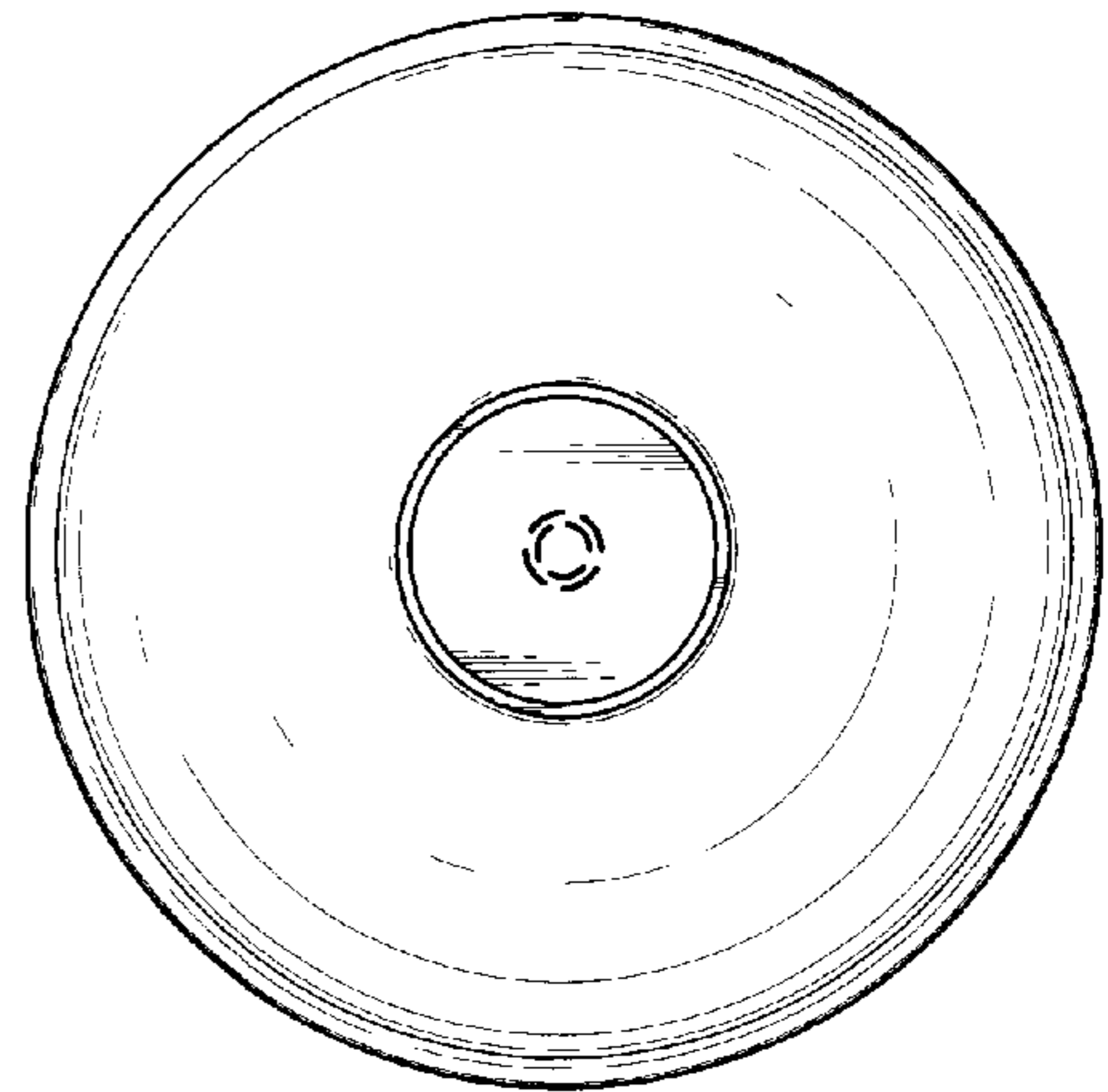


Fig. 10

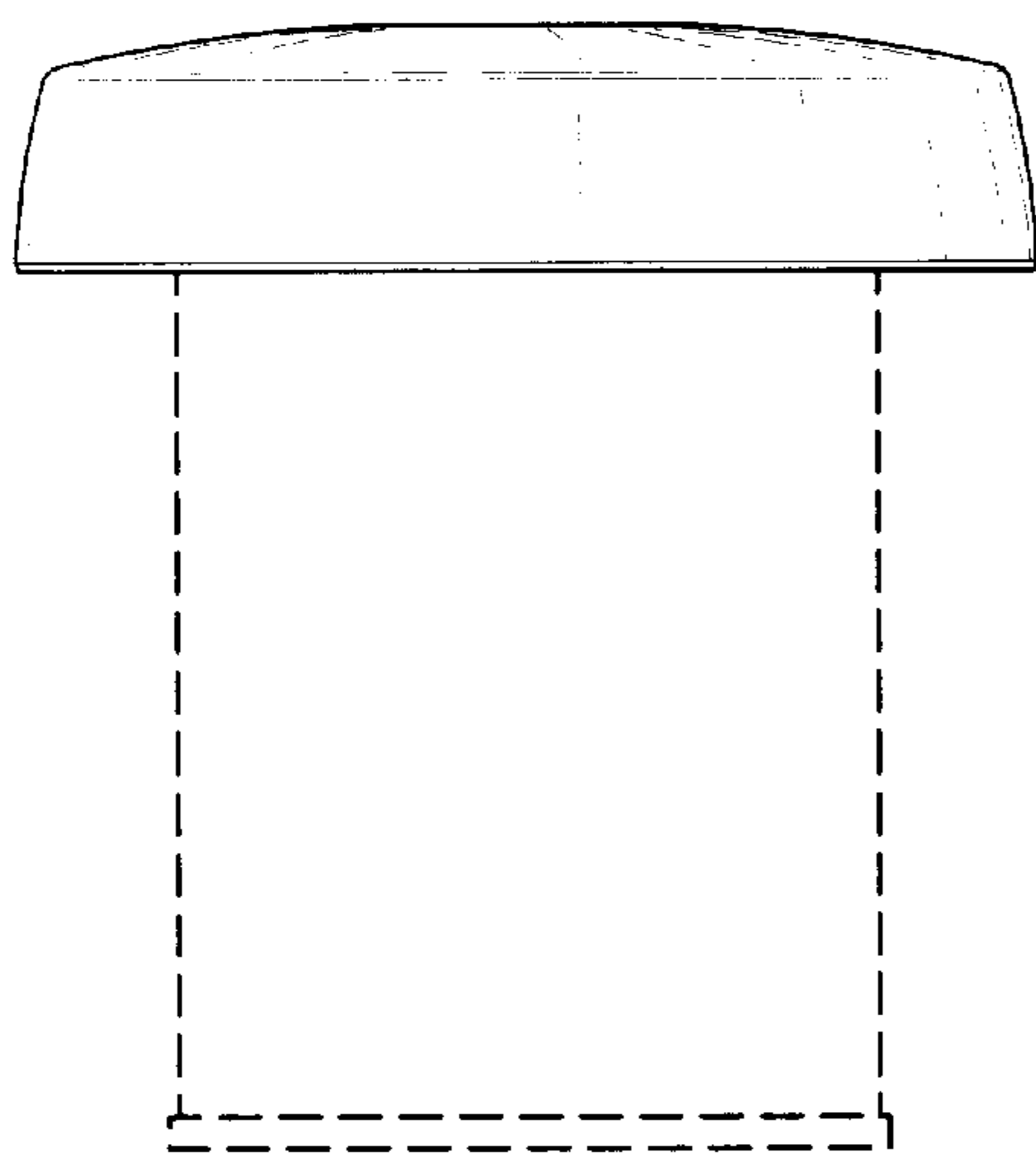


Fig. 11

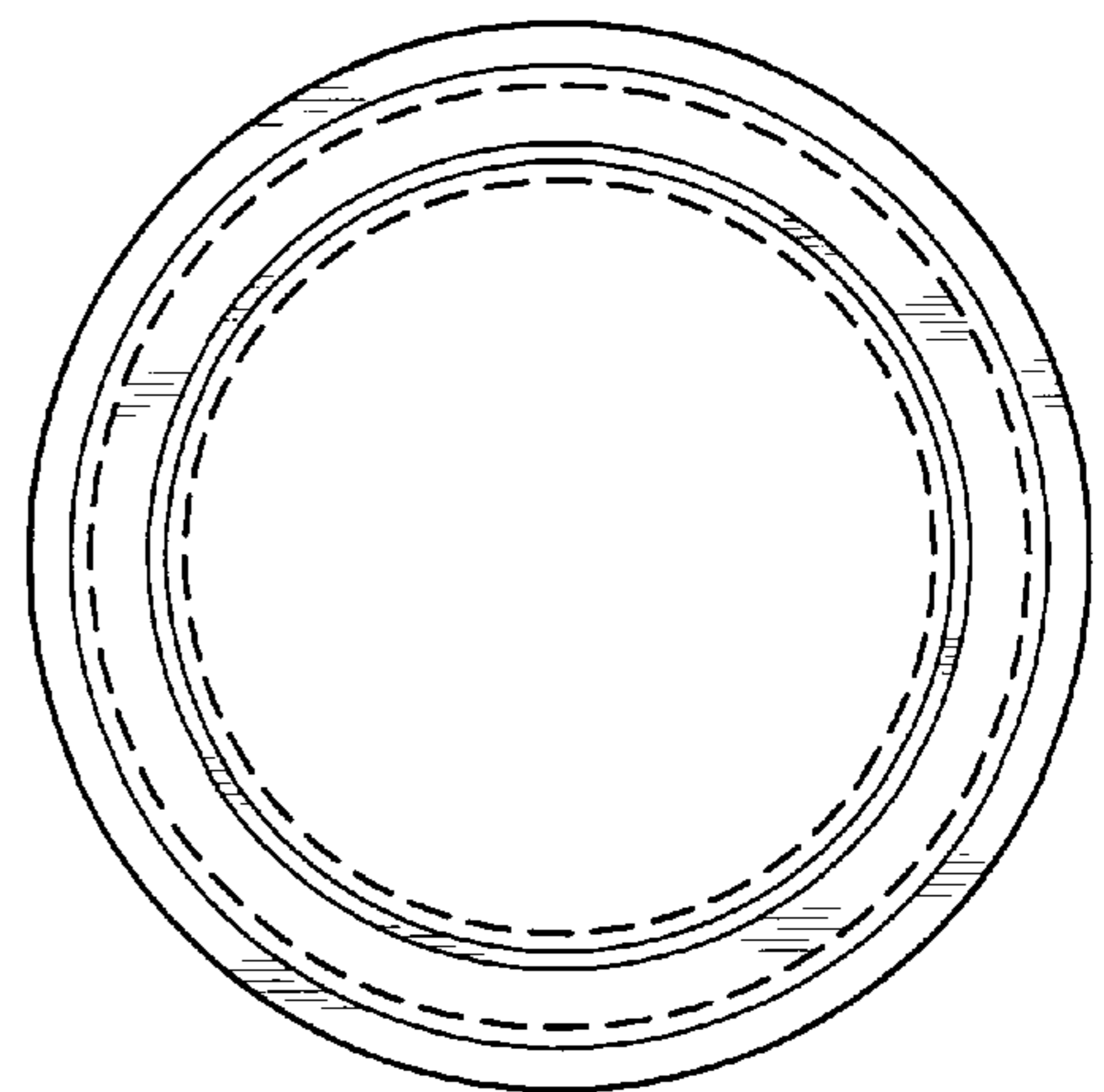


Fig. 12

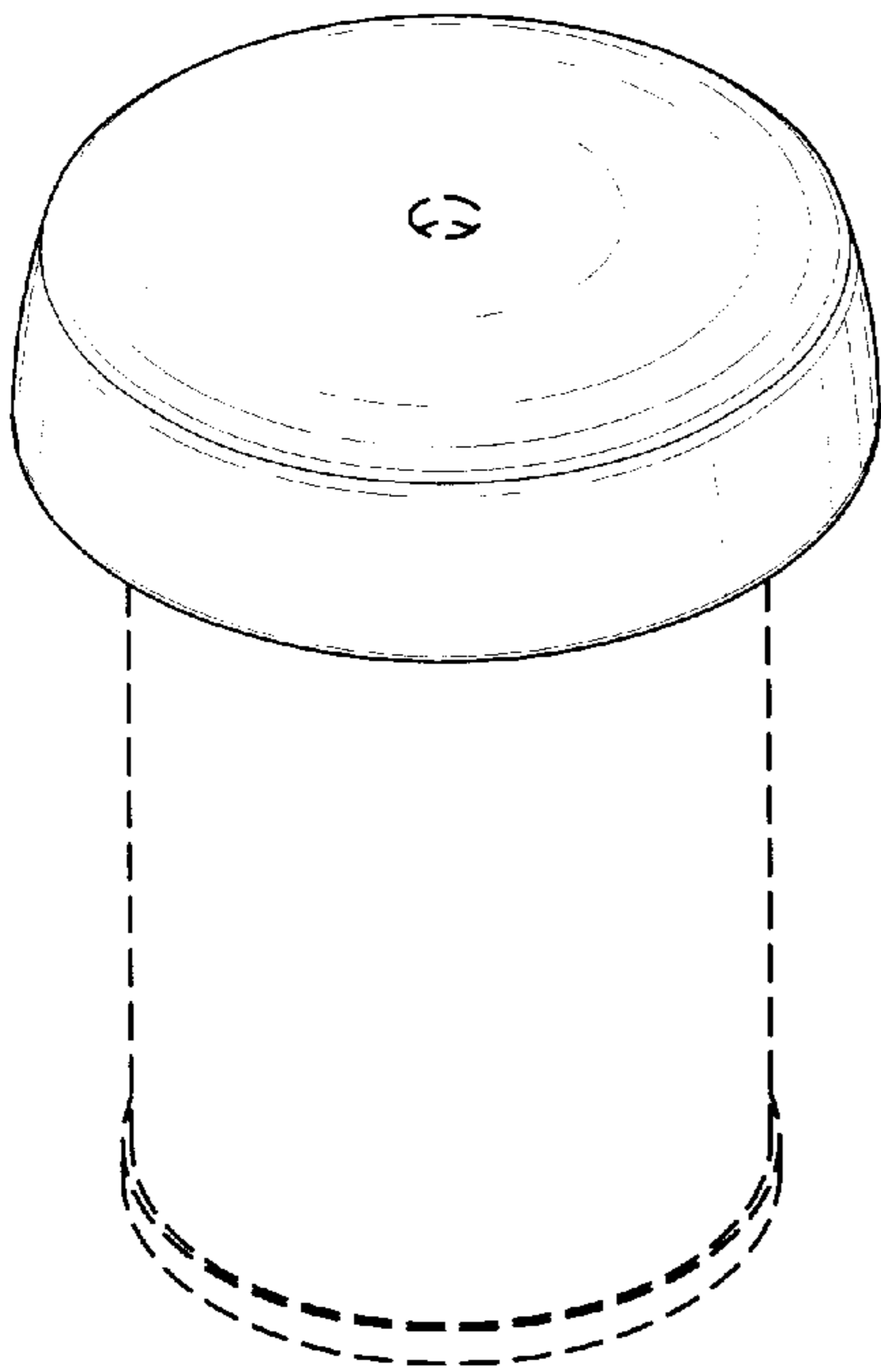


Fig. 13

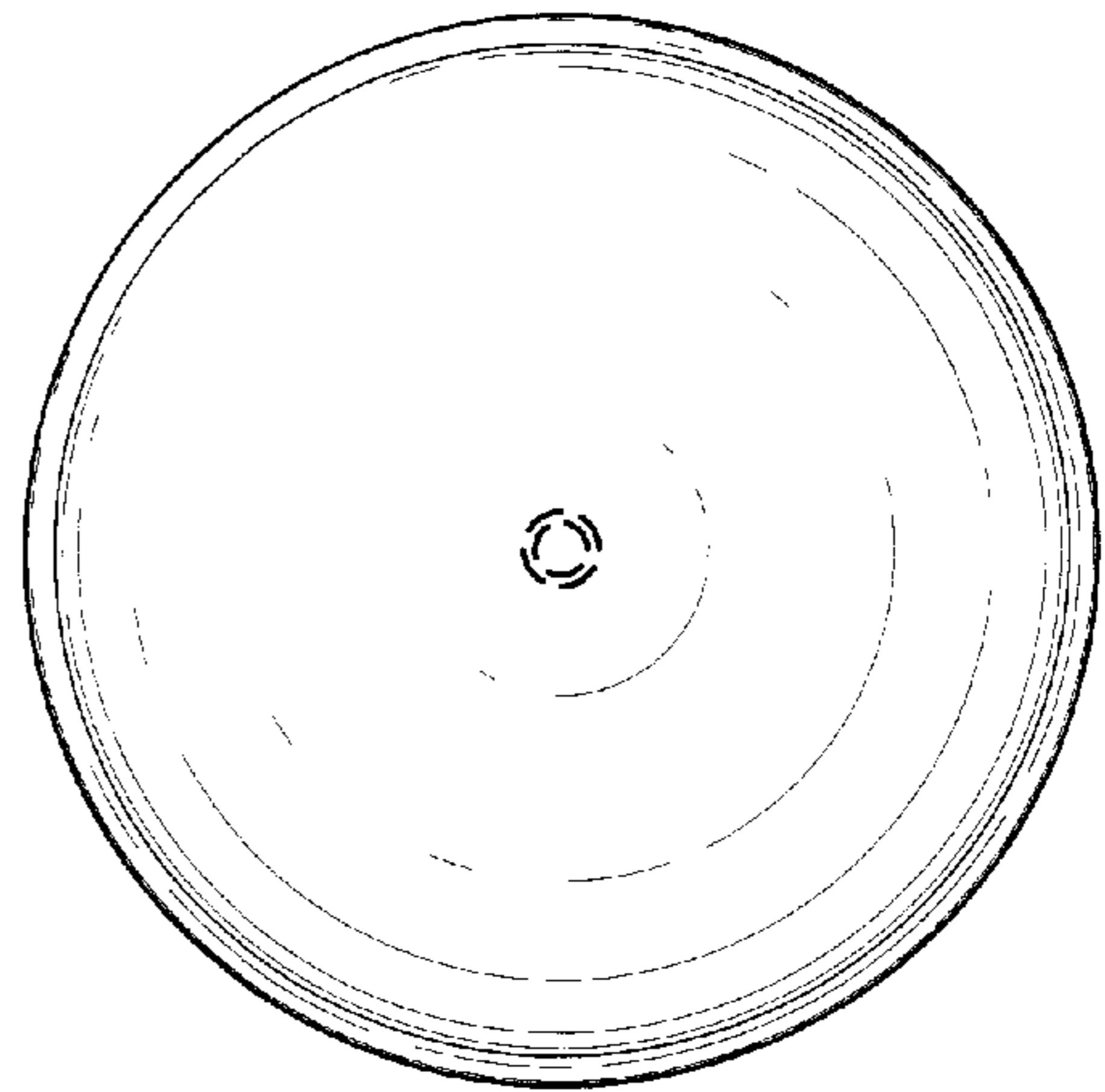


Fig. 14

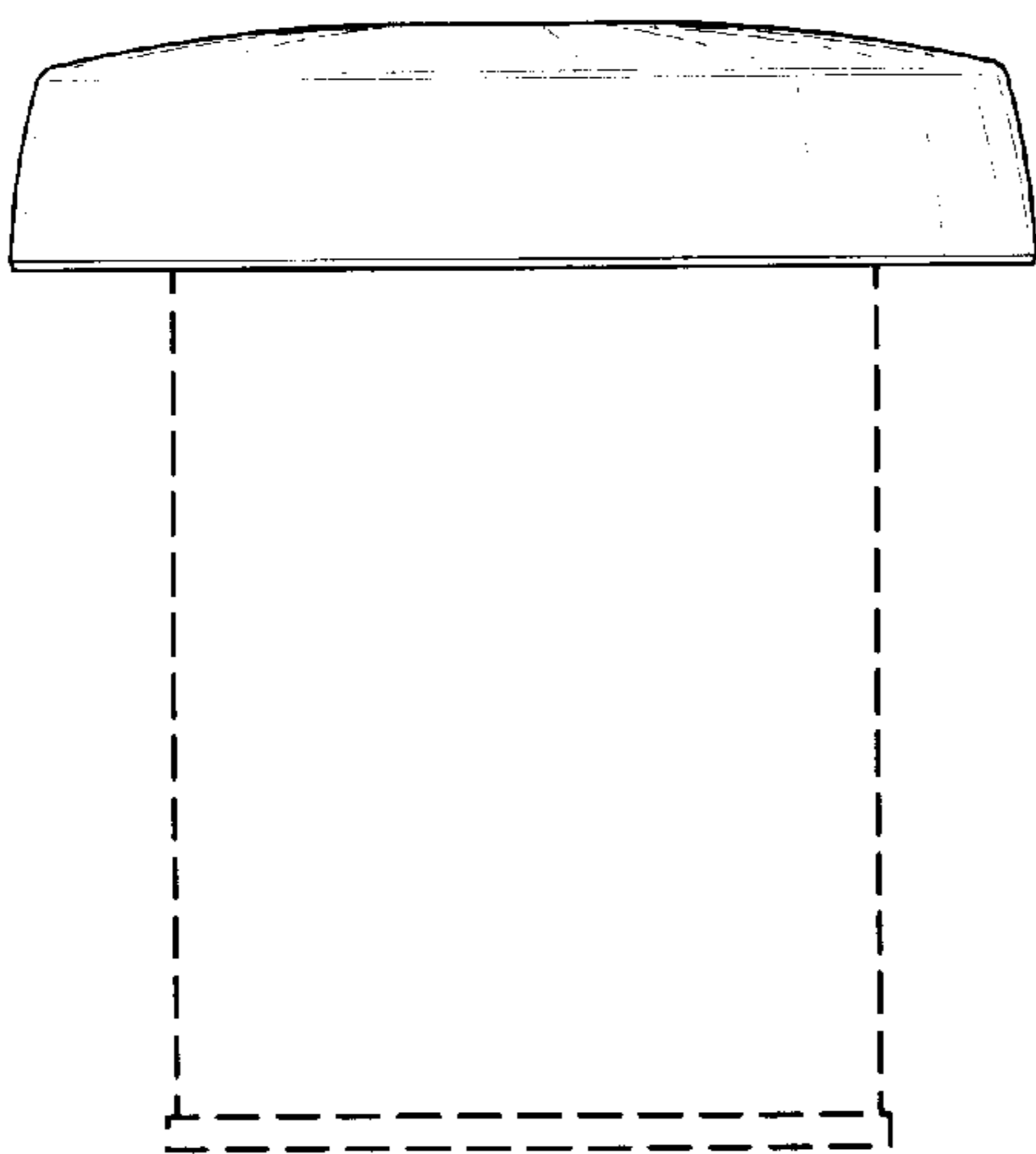


Fig. 15

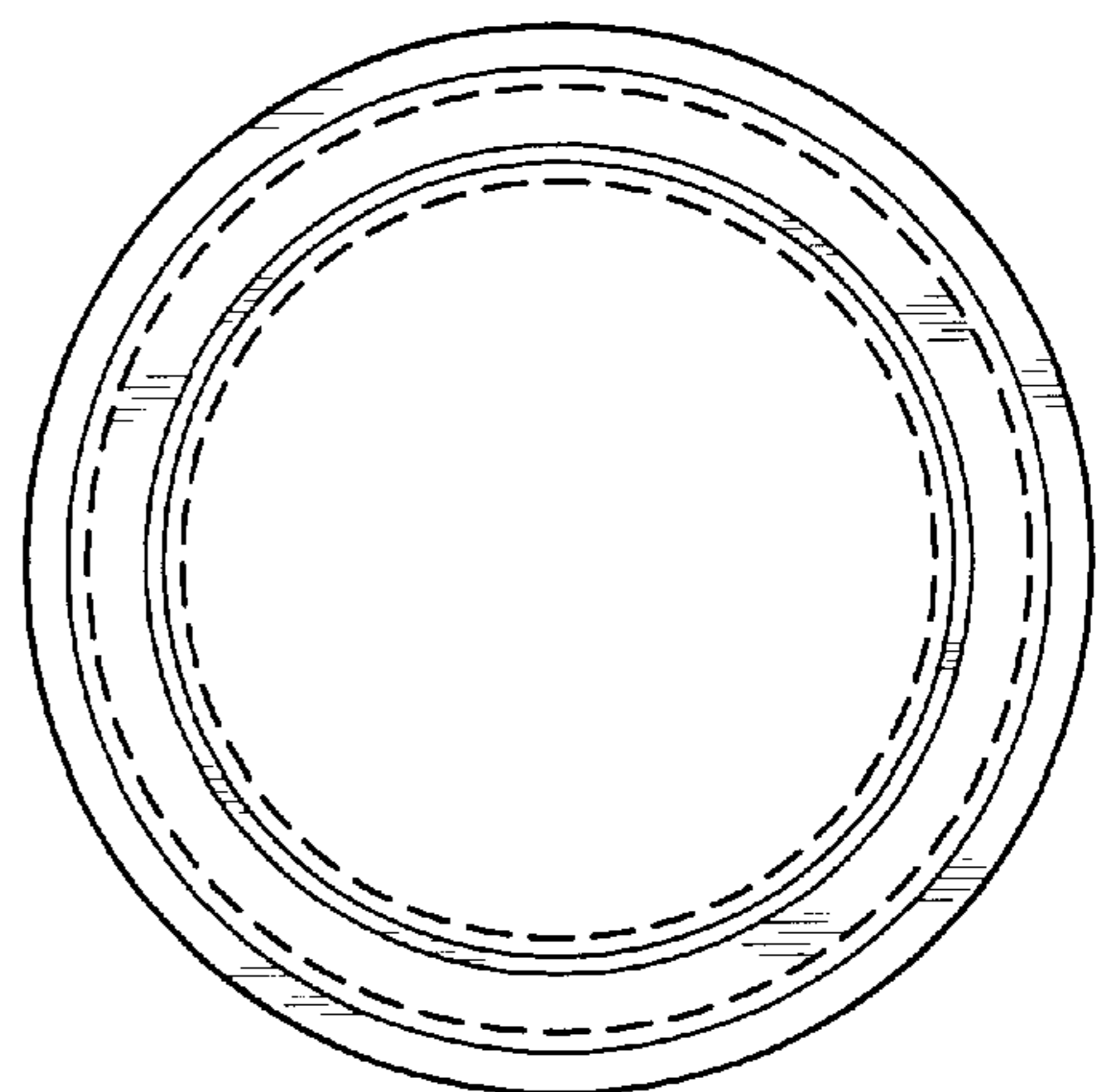


Fig. 16