



US00D425174S

United States Patent [19] Swancara

[11] Patent Number: Des. 425,174

[45] Date of Patent: ** May 16, 2000

[54] WATER DISTILLATION UNIT

[75] Inventor: John M. Swancara, Lincoln, Nebr.

[73] Assignee: Pure Water, Inc., Lincoln, Nebr.

[**] Term: 14 Years

[21] Appl. No.: 29/109,795

[22] Filed: Aug. 23, 1999

[51] LOC (7) Cl. 23-01

[52] U.S. Cl. D23/207

[58] Field of Search D23/207, 209;
202/81, 83, 185.2; 203/10, 12

5,217,580 6/1993 Chen .
5,609,732 3/1997 Magidson .
5,662,779 9/1997 Greene et al. .
5,679,274 10/1997 Mahood .

OTHER PUBLICATIONS

Prior art design of water distillation unit on sale more than one year before the filing date of this application.

Primary Examiner—Robin V. Taylor
Attorney, Agent, or Firm—Van Dyke, Gardner, Linn & Burkhardt, LLP

[57] CLAIM

The ornamental design for the water distillation unit, as shown and described.

[56] References Cited

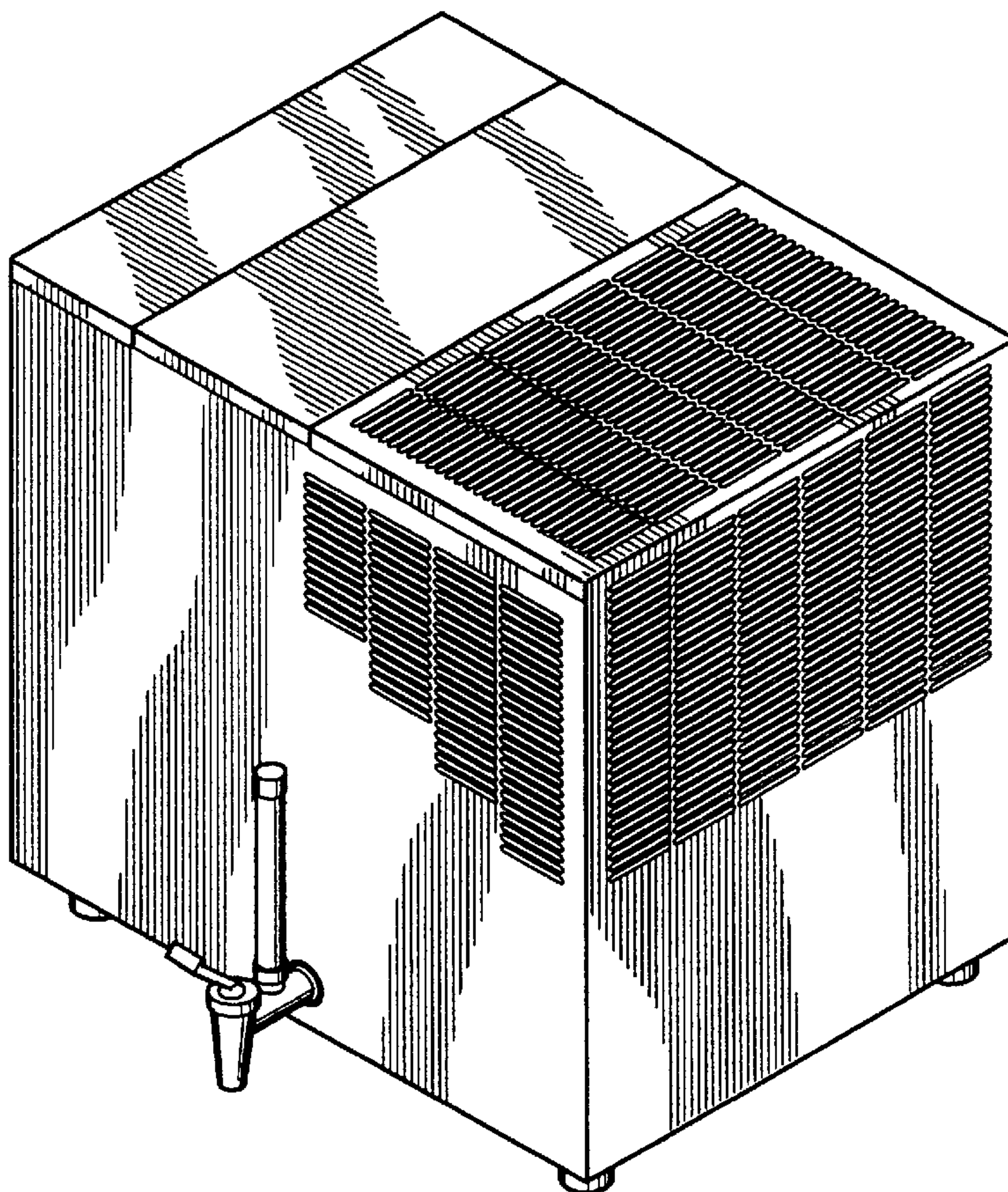
U.S. PATENT DOCUMENTS

- D. 195,771 7/1963 Soussloff .
- D. 249,055 8/1978 Hansrote D23/207
- D. 267,032 11/1982 Lafontaine .
- D. 306,338 2/1990 Rempe et al. D23/207
- D. 313,062 12/1990 Palmer D23/207
- D. 314,225 1/1991 Palmer et al. .
- D. 316,739 5/1991 Erickson et al. D23/207
- D. 341,871 11/1993 Bannigan .
- D. 351,965 11/1994 Credle D7/311
- D. 389,556 1/1998 Feldman et al. .
- D. 392,368 3/1998 Micoley .
- D. 412,550 8/1999 Bell .
- 4,622,102 11/1986 Diebel .

DESCRIPTION

FIG. 1 is a front, top and left end perspective view of a water distillation unit according to the invention; FIG. 2 is a front elevation thereof; FIG. 3 is a top plan view thereof; FIG. 4 is a rear elevation thereof; FIG. 5 is a right end elevation thereof; FIG. 6 is a left end elevation thereof; and, FIG. 7 is a bottom plan view thereof. The broken line showing in FIG. 4 is for illustrative purposes only and forms no part of the claimed design.

1 Claim, 4 Drawing Sheets



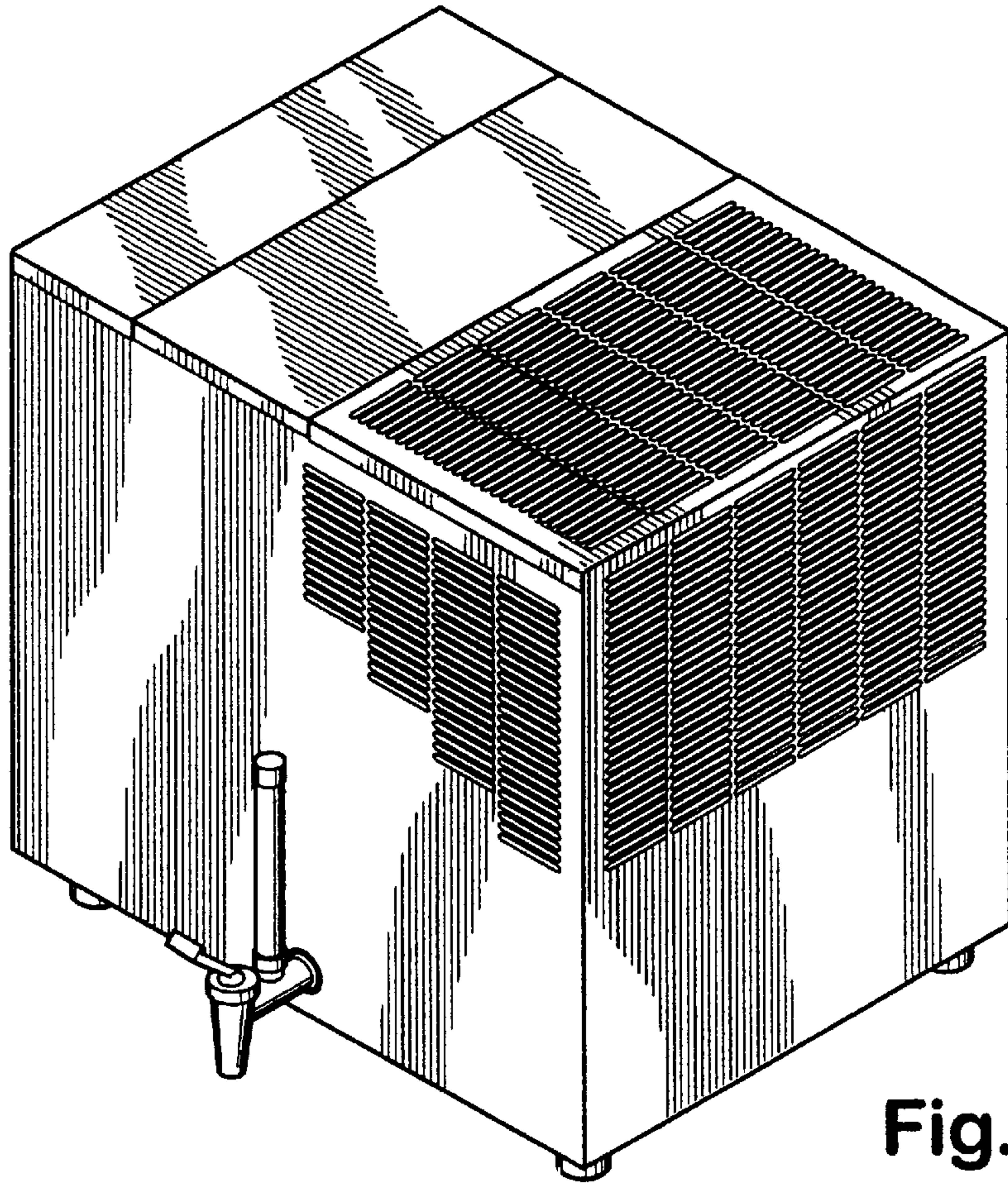


Fig. 1

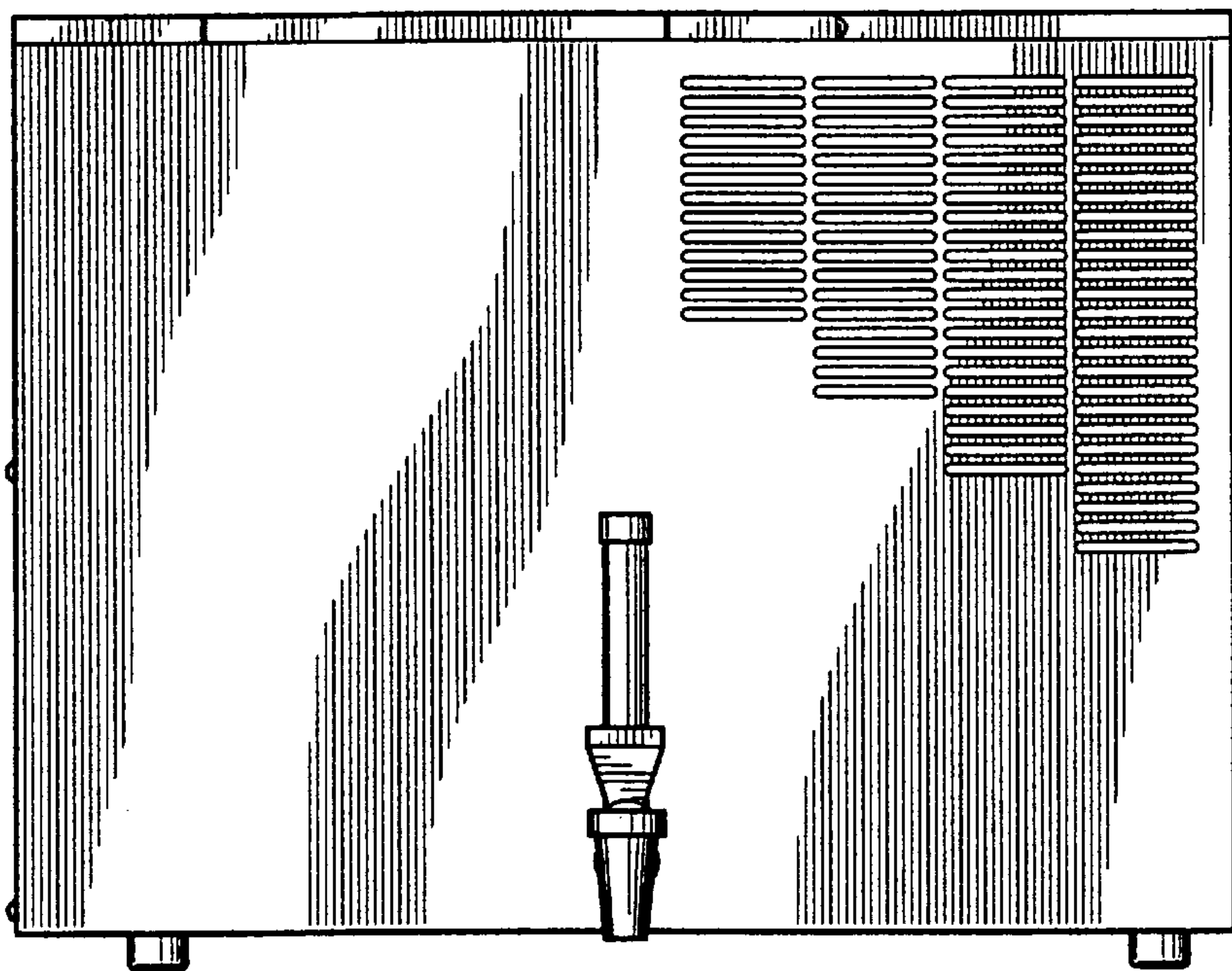


Fig. 2

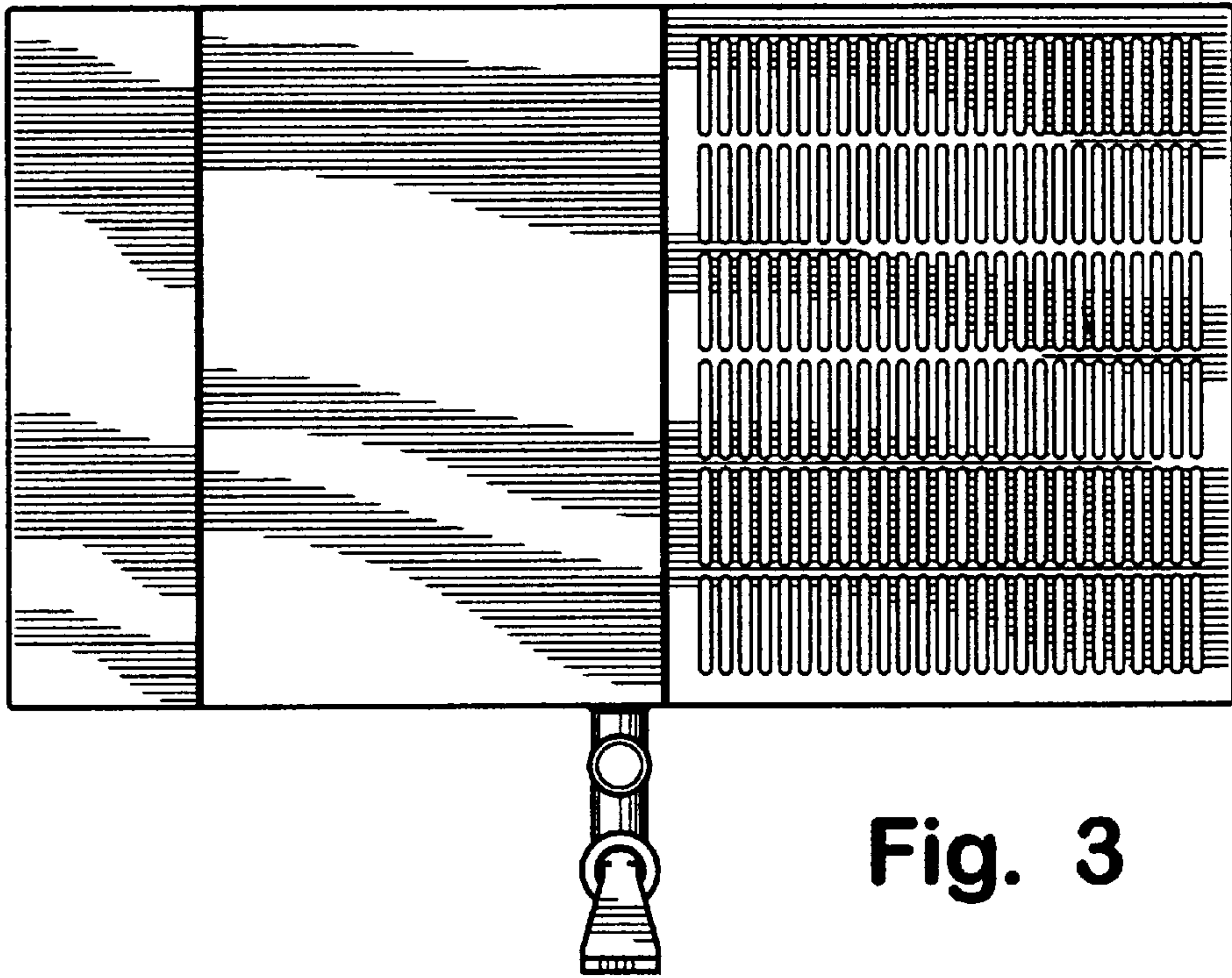


Fig. 3

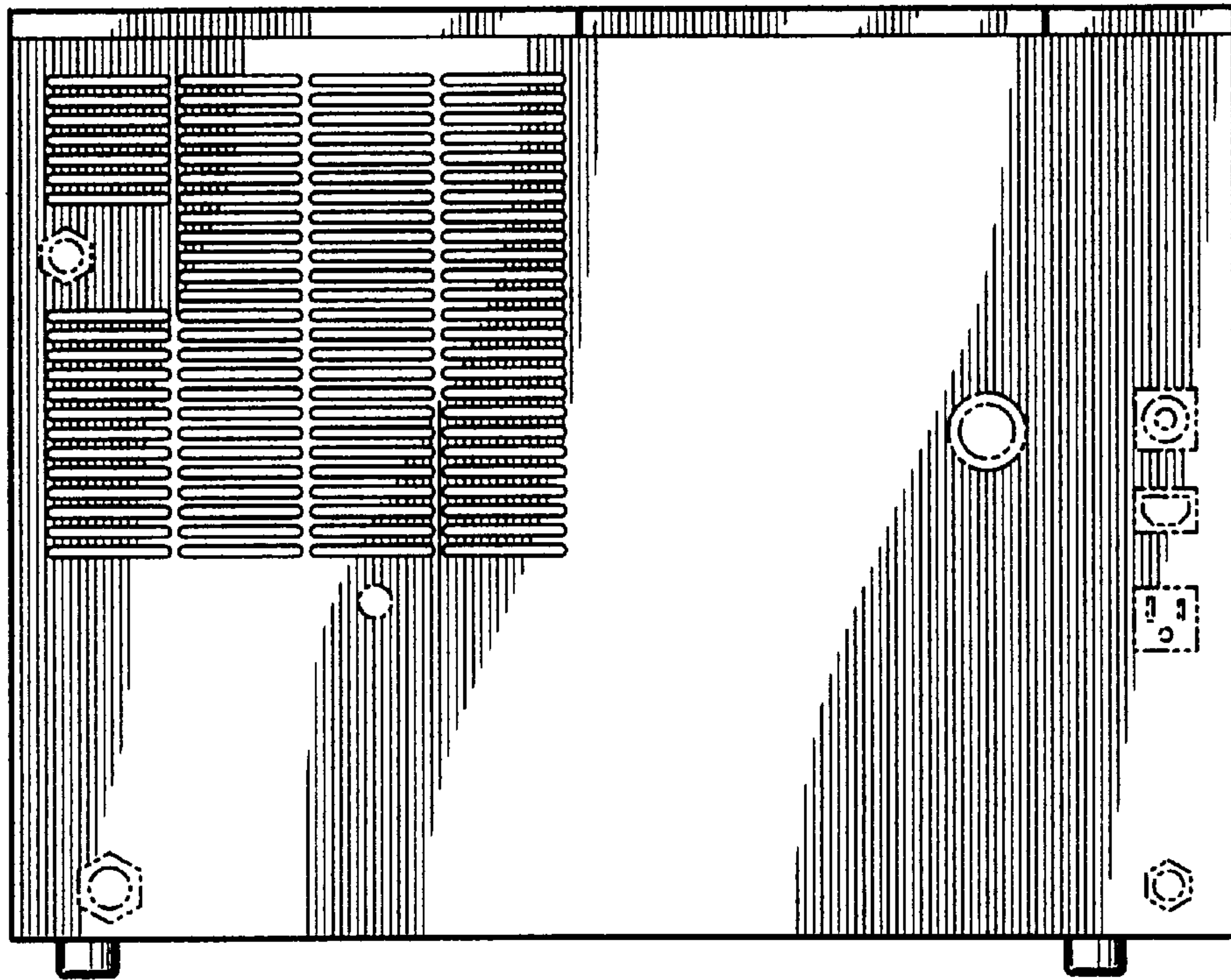


Fig. 4

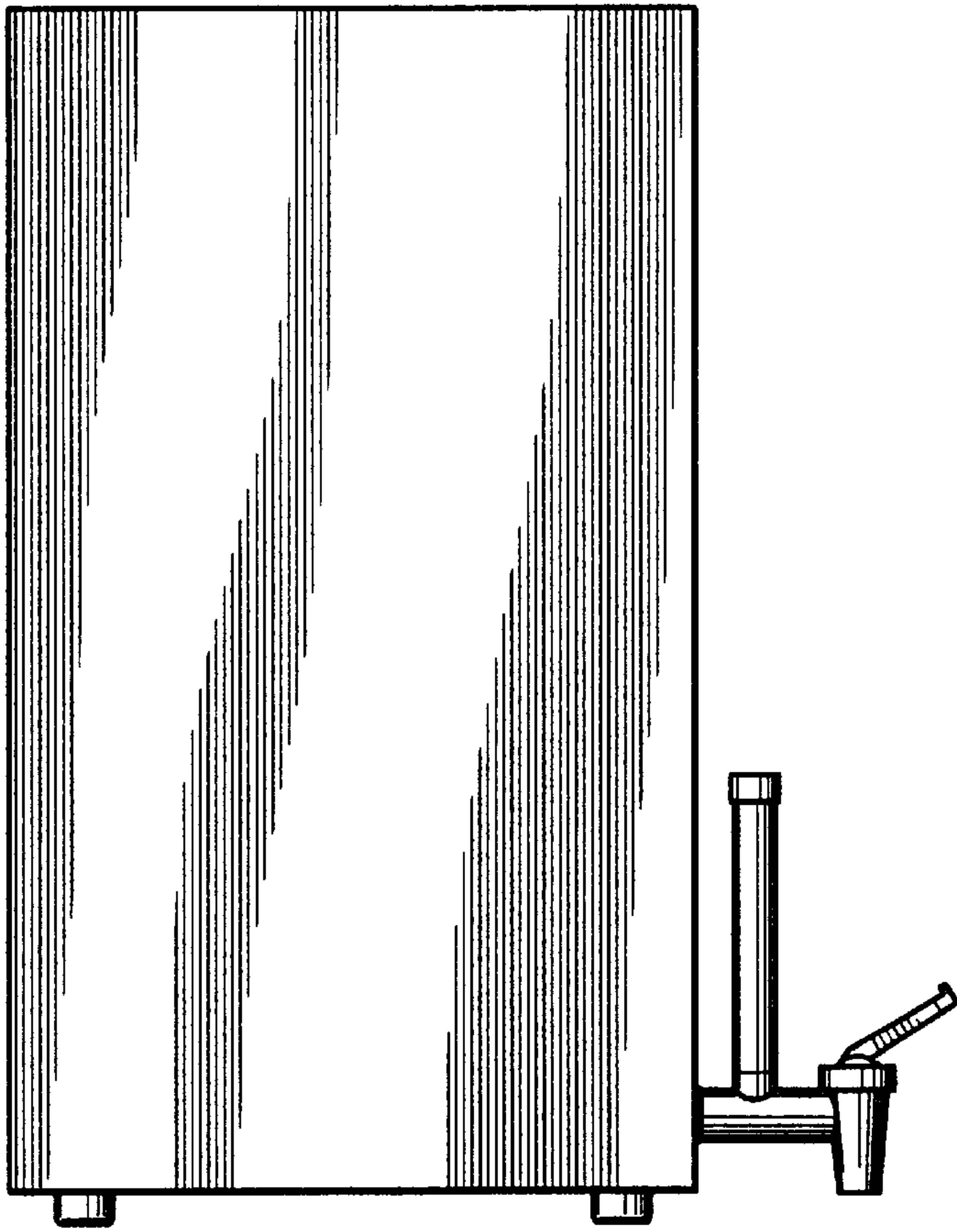


Fig. 5

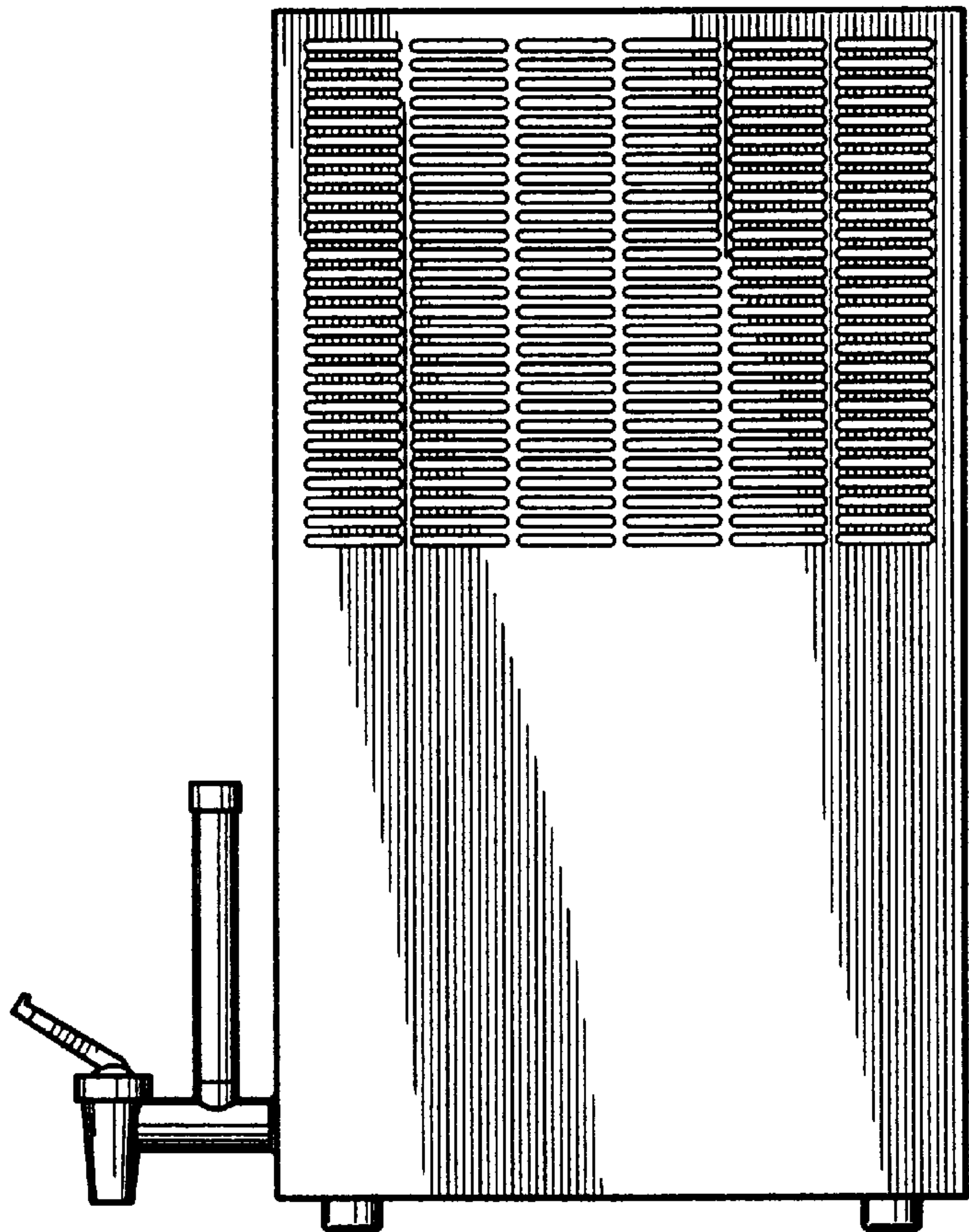


Fig. 6

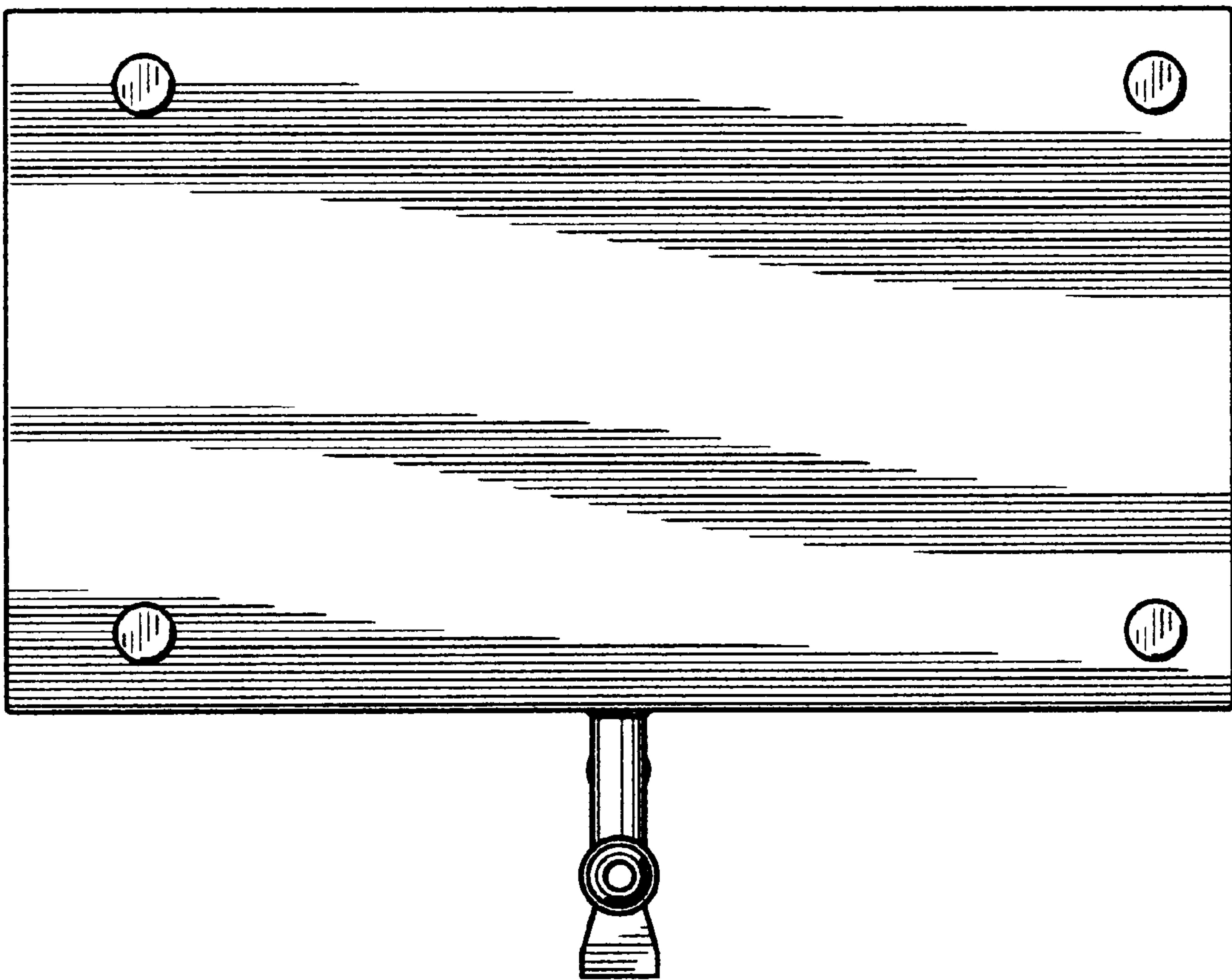


Fig. 7