



US00D425172S

**United States Patent** [19]  
**Hall**

[11] **Patent Number: Des. 425,172**

[45] **Date of Patent: \*\* May 16, 2000**

[54] **EEL SECURING DEVICE**

[76] Inventor: **Ronald R. Hall**, 2071 China Hill Rd.,  
Warsaw, Va. 22572

[\*\*] Term: **14 Years**

[21] Appl. No.: **29/108,129**

[22] Filed: **Jul. 21, 1999**

[51] **LOC (7) Cl.** ..... **22-05**

[52] **U.S. Cl.** ..... **D22/149; D22/134**

[58] **Field of Search** ..... D22/134, 149,  
D22/199, 144; 43/54.1, 53.5, 55

[56] **References Cited**

**U.S. PATENT DOCUMENTS**

|            |        |             |       |         |
|------------|--------|-------------|-------|---------|
| Re. 21,375 | 2/1940 | Tillinghast | ..... | 43/53.5 |
| D. 188,383 | 7/1960 | Gravning    | ..... | D22/149 |
| D. 210,482 | 3/1968 | Tomaiuolo   | ..... | D22/149 |
| D. 252,336 | 7/1979 | Grippi, Jr. | ..... | D22/144 |
| 2,547,592  | 4/1951 | Morris      | ..... | 43/53.5 |

|           |         |            |       |         |
|-----------|---------|------------|-------|---------|
| 3,156,066 | 11/1964 | Munyer     | ..... | D22/134 |
| 3,738,050 | 6/1973  | Nail       | ..... | 43/53.5 |
| 3,905,145 | 9/1975  | Cunningham | ..... | 43/53.5 |
| 4,196,538 | 4/1980  | Crone      | ..... | 43/55   |

*Primary Examiner*—Louis S. Zarfes  
*Assistant Examiner*—Inga-Maria Hyttinen  
*Attorney, Agent, or Firm*—Norman Rainer

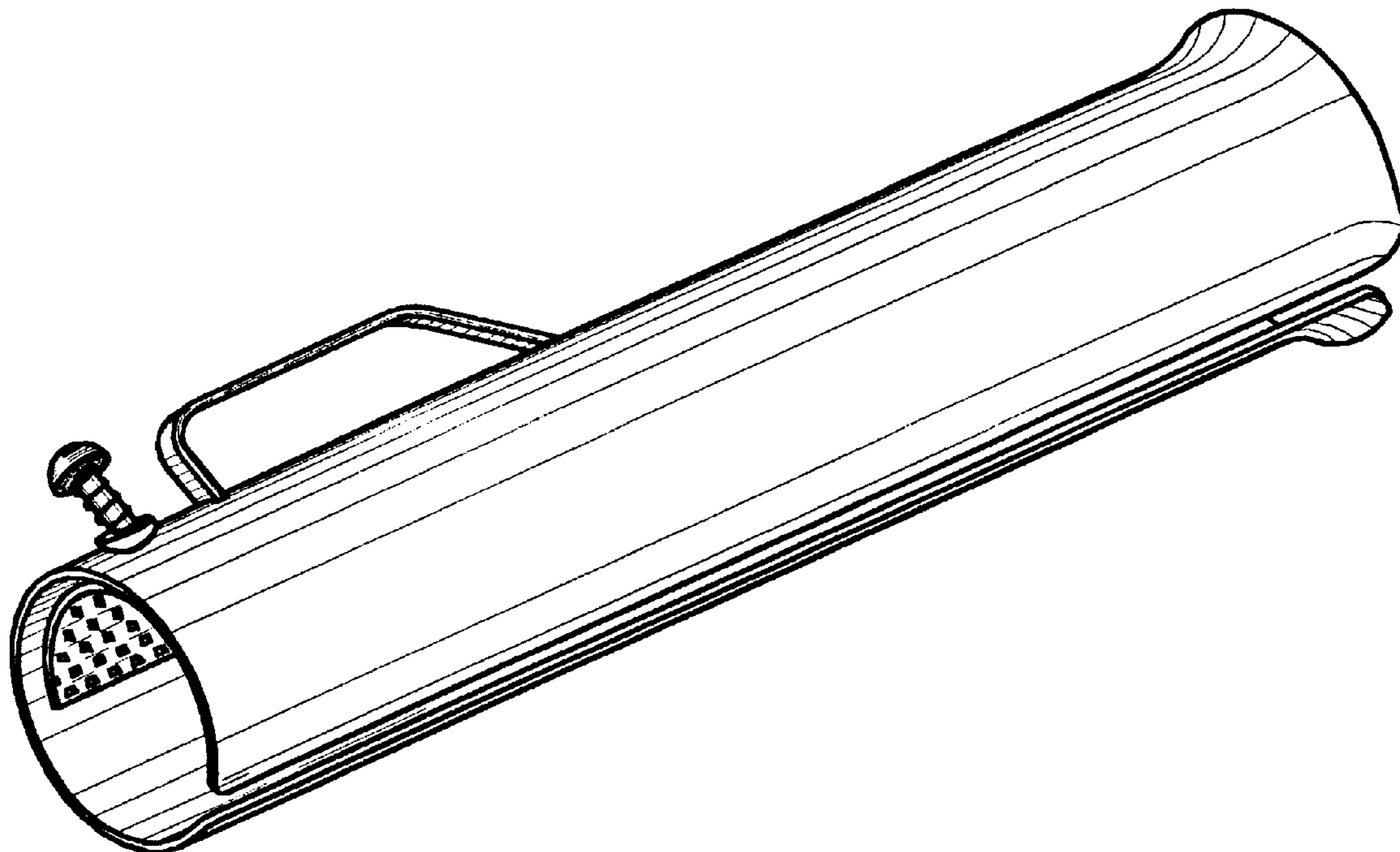
[57] **CLAIM**

The ornamental design for an eel securing device, as shown and described.

**DESCRIPTION**

FIG. 1 is a front and side perspective view of an eel securing device showing my new design ;  
FIG. 2 is a side view thereof, the unshown opposite side being of identical appearance ;  
FIG. 3 is a front view thereof,  
FIG. 4 is a rear view thereof; and,  
FIG. 5 is a top view thereof.

**1 Claim, 1 Drawing Sheet**



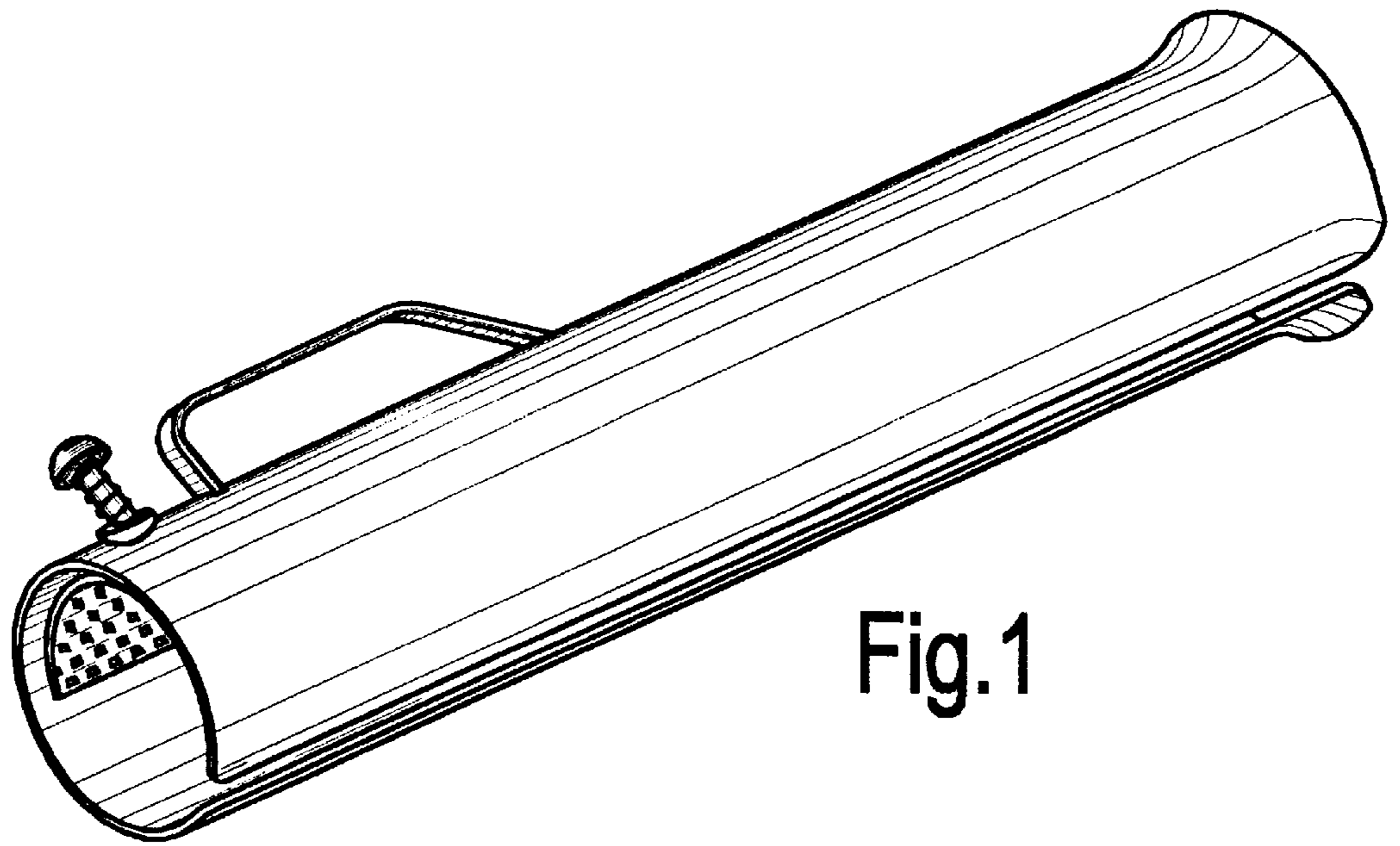


Fig.1

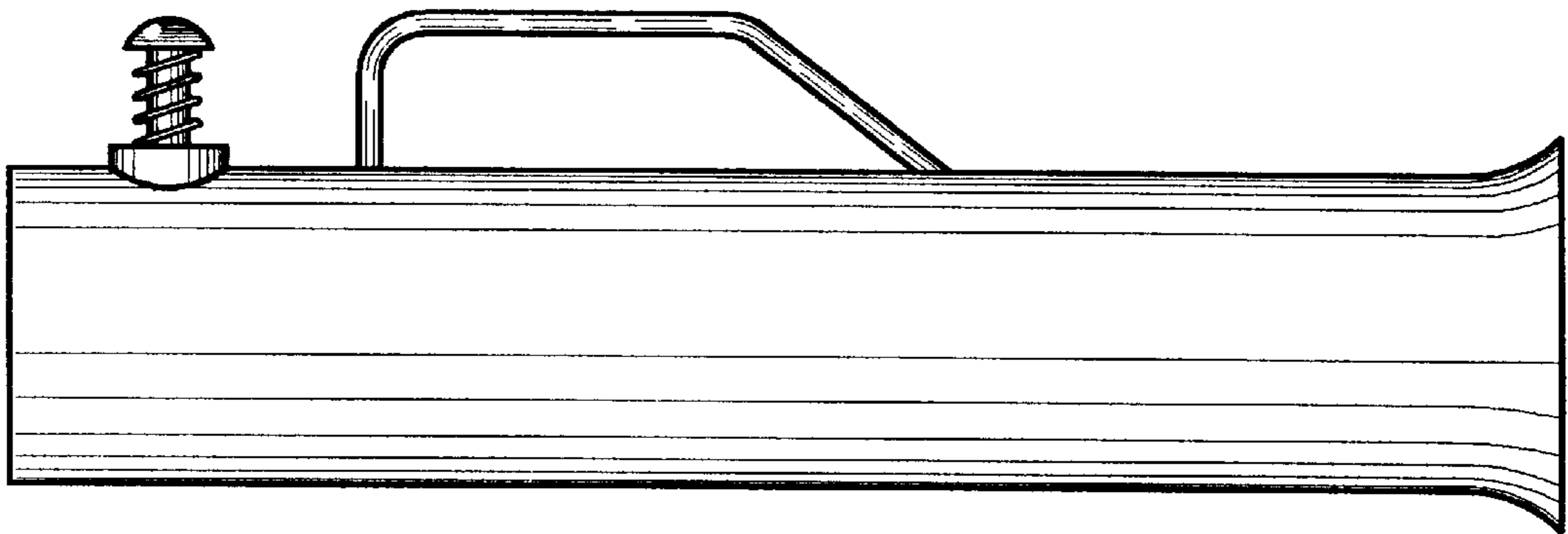


Fig.2

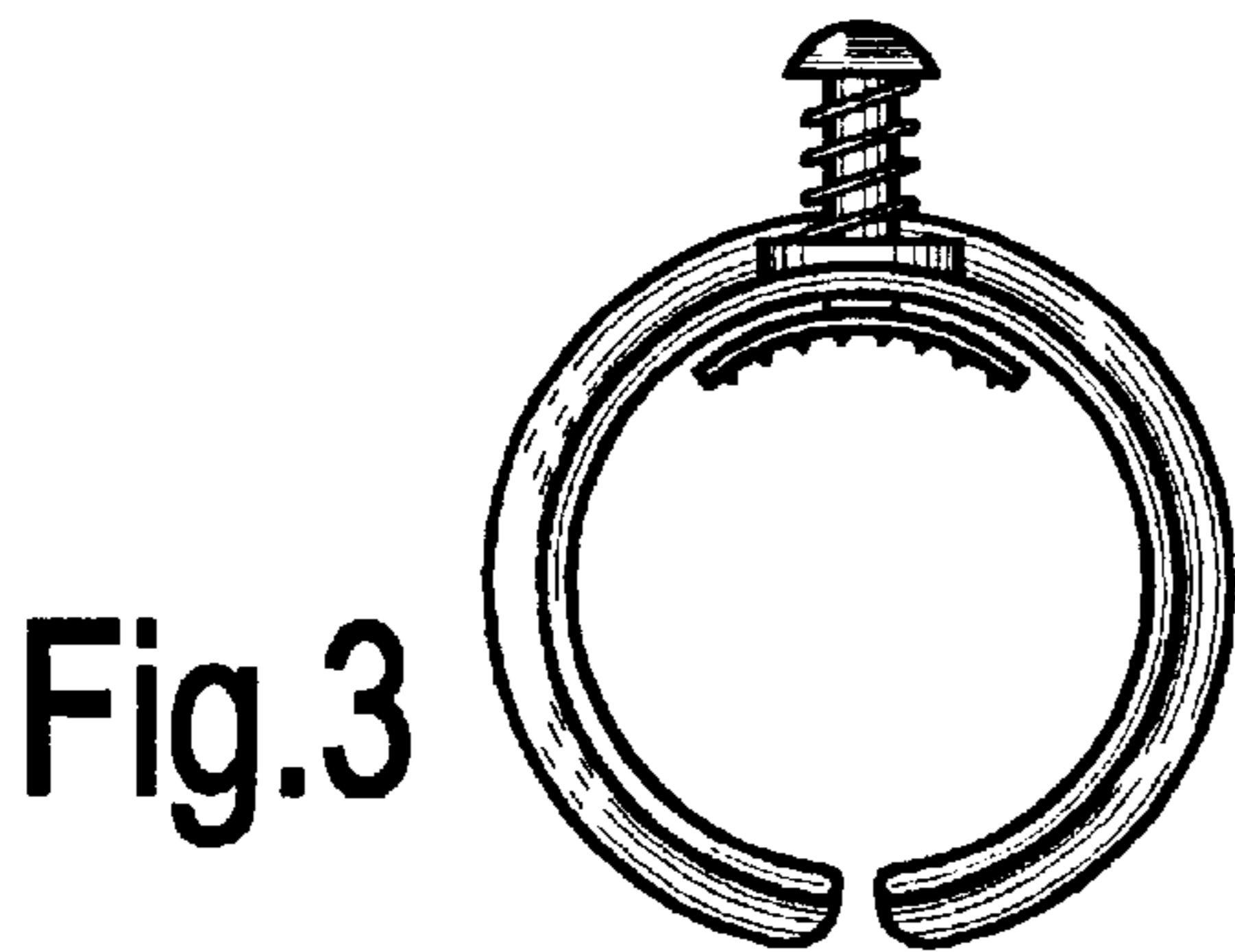


Fig.3

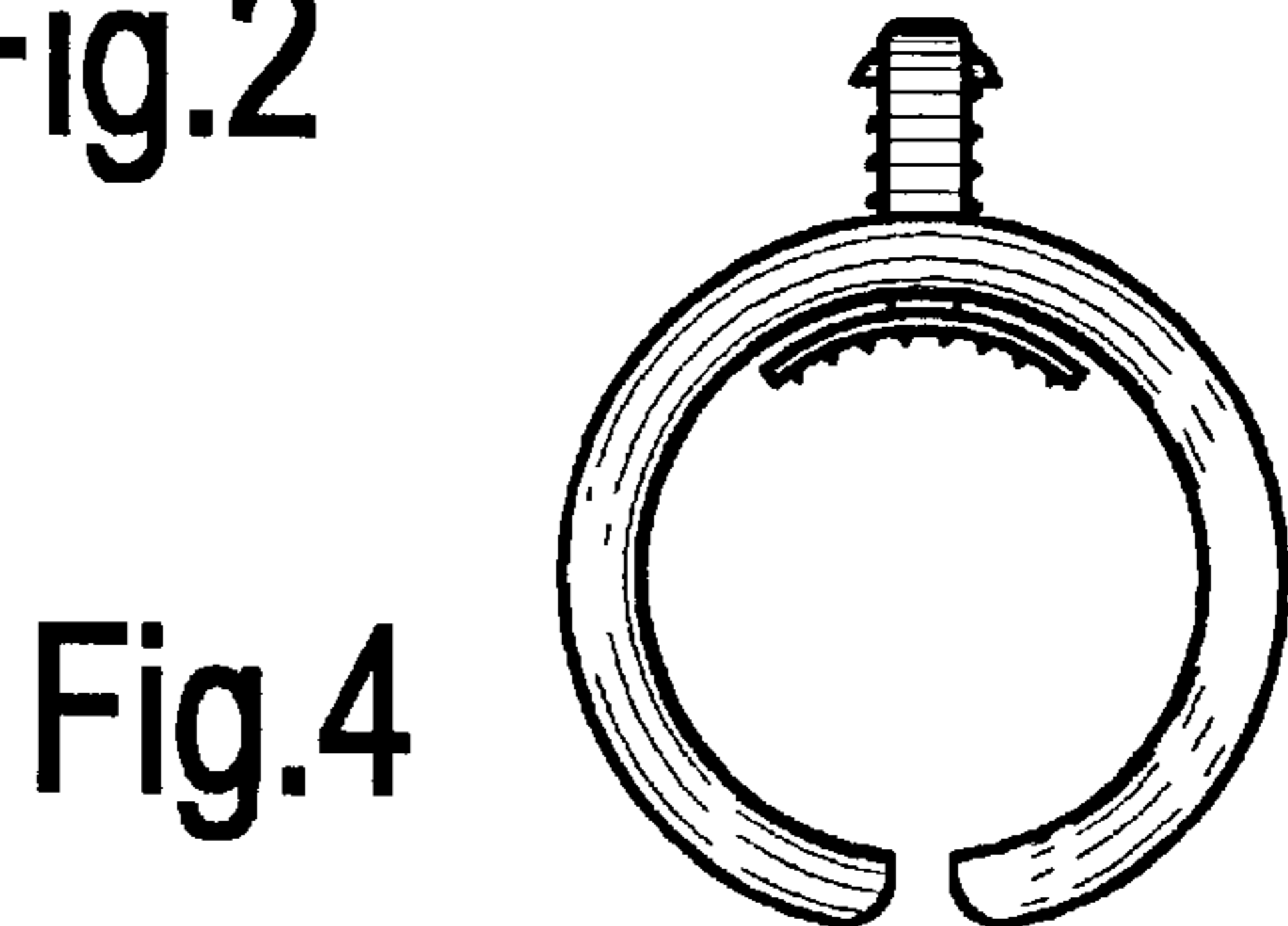


Fig.4

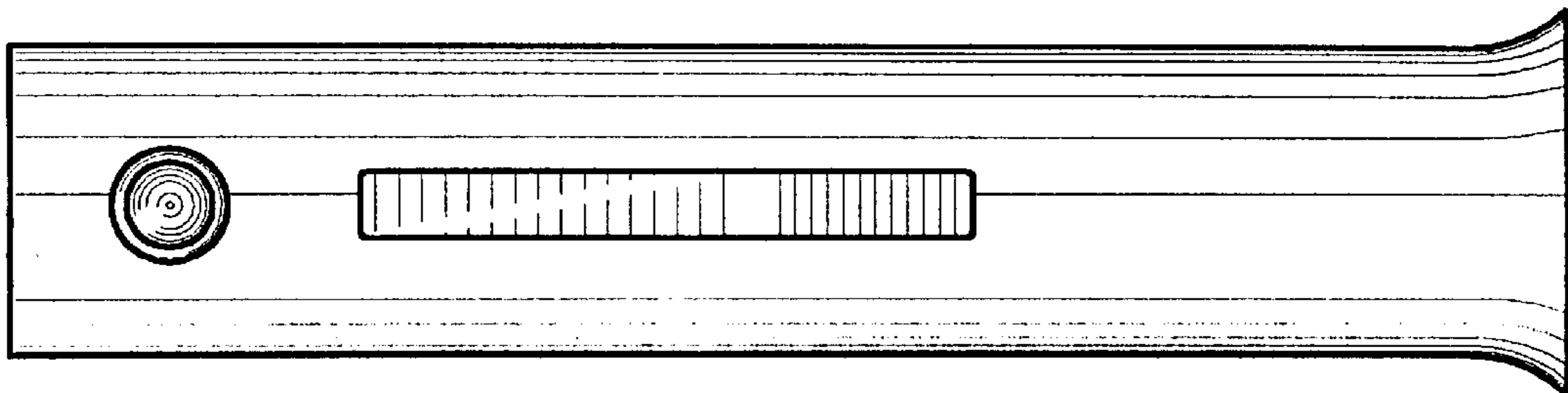


Fig.5