



US00D425171S

United States Patent [19]
Wicklund

[11] **Patent Number: Des. 425,171**

[45] **Date of Patent: ** May 16, 2000**

[54] **FISHING JIG**

D. 322,835 12/1991 Snyder D22/144
D. 367,100 2/1996 Cahow D22/144

[75] Inventor: **Craig Wicklund**, Orono, Minn.

[73] Assignee: **Kamoflazz Ltd., Inc.**, Long Lake, Minn.

Primary Examiner—Louis S. Zarfaz
Assistant Examiner—Inga-Maria Hyttinen
Attorney, Agent, or Firm—Haugen Law Firm PLLP

[**] Term: **14 Years**

[57] **CLAIM**

[21] Appl. No.: **29/109,644**

The ornamental design for the “fishing jig,” as shown and described.

[22] Filed: **Aug. 19, 1999**

DESCRIPTION

[51] **LOC (7) Cl.** **22-05**

[52] **U.S. Cl.** **D22/144**

[58] **Field of Search** D22/126, 132,
D22/144, 145; 43/42.08, 42.36, 42.06, 42.39

FIG. 1 is a perspective view of the fishing jig design;
FIG. 2 is a side elevational view of the design, with the opposite side view being a mirror image thereof;
FIG. 3 is a top plan view of the design;
FIG. 4 is a bottom plan view of the design;
FIG. 5 is a front elevational view of the design; and,
FIG. 6 is a rear elevational view of the design.

[56] **References Cited**

U.S. PATENT DOCUMENTS

D. 247,572 3/1978 Foster D22/126
D. 258,978 4/1981 Williams, Jr. D22/126

1 Claim, 2 Drawing Sheets

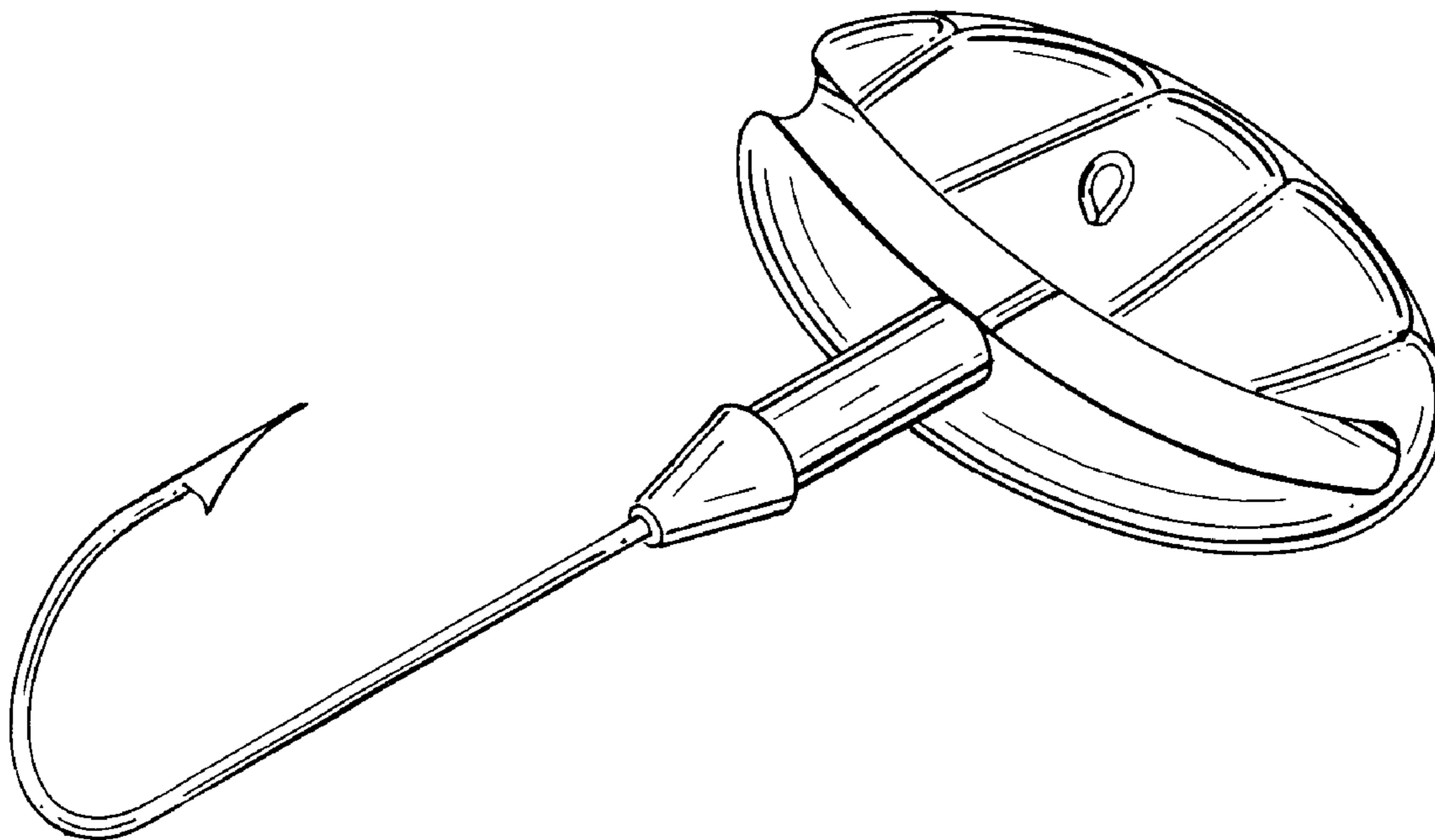


Fig. -1

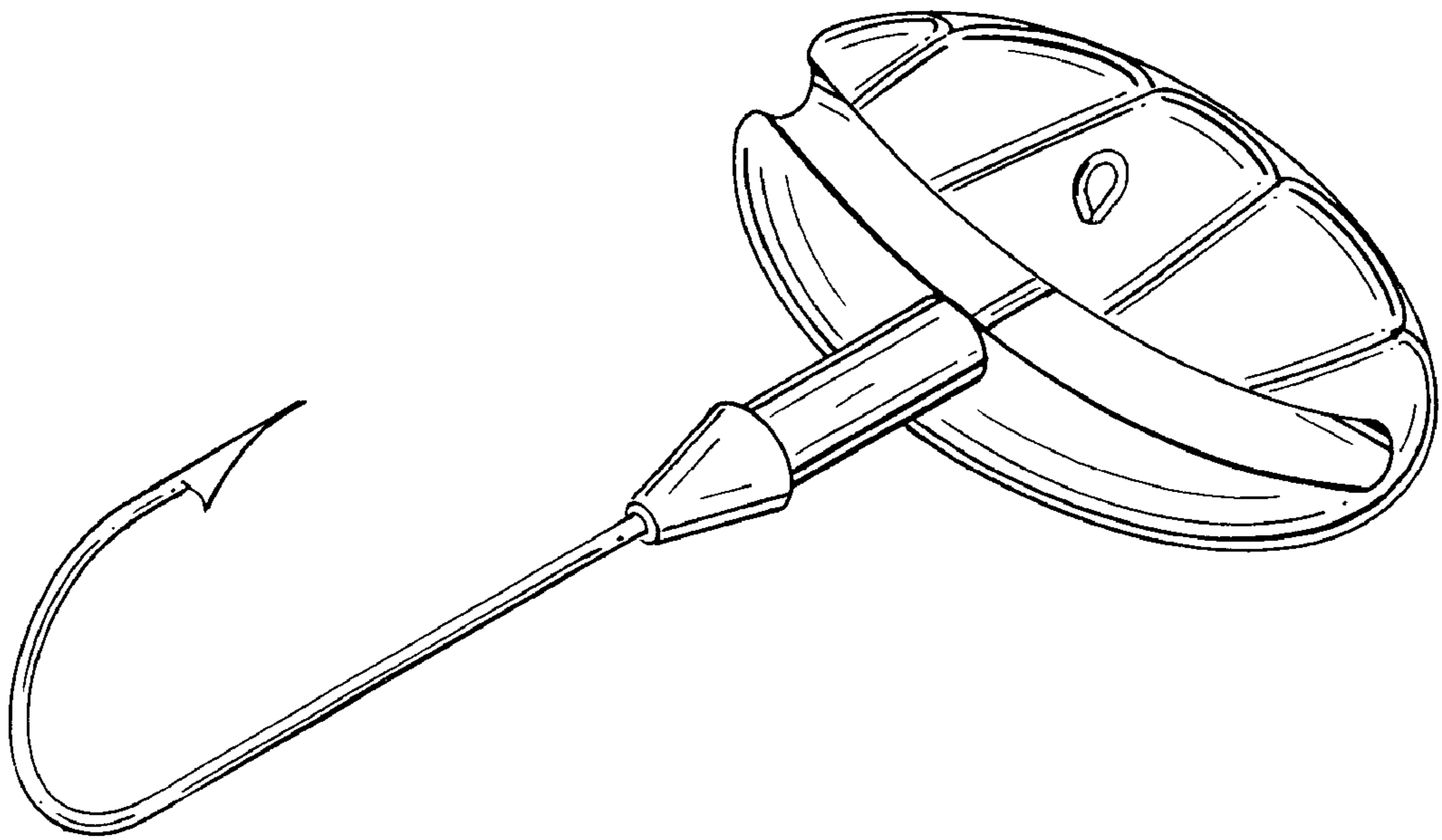


Fig.-2

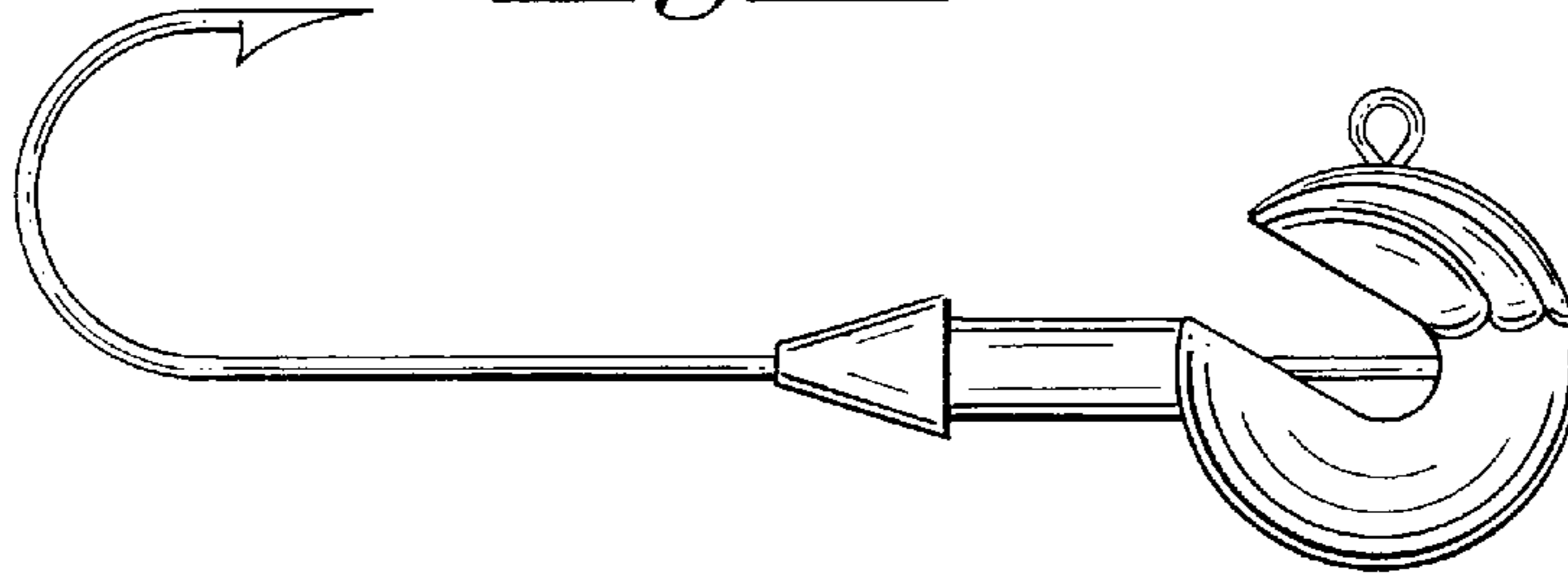


Fig.-3

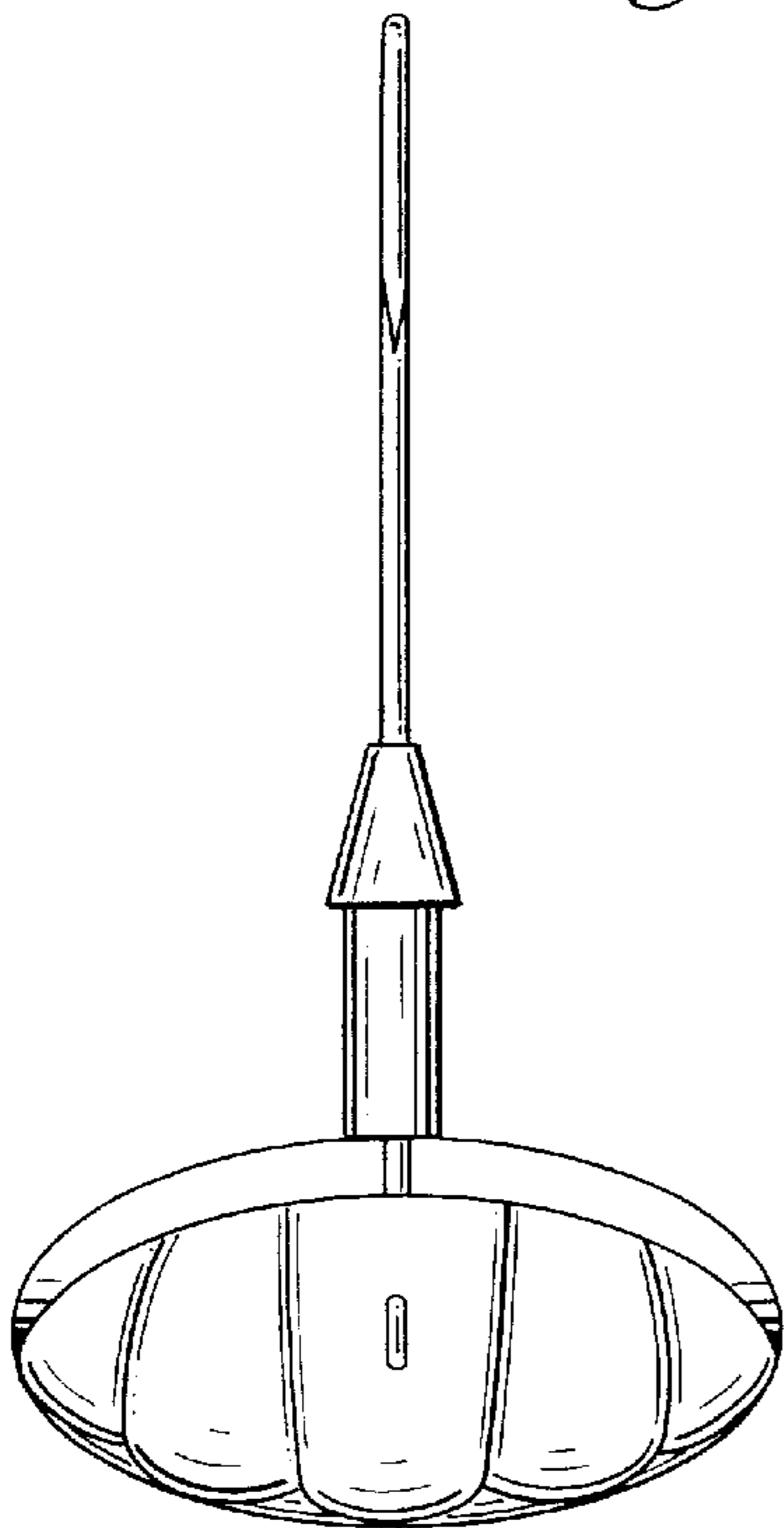


Fig.-4

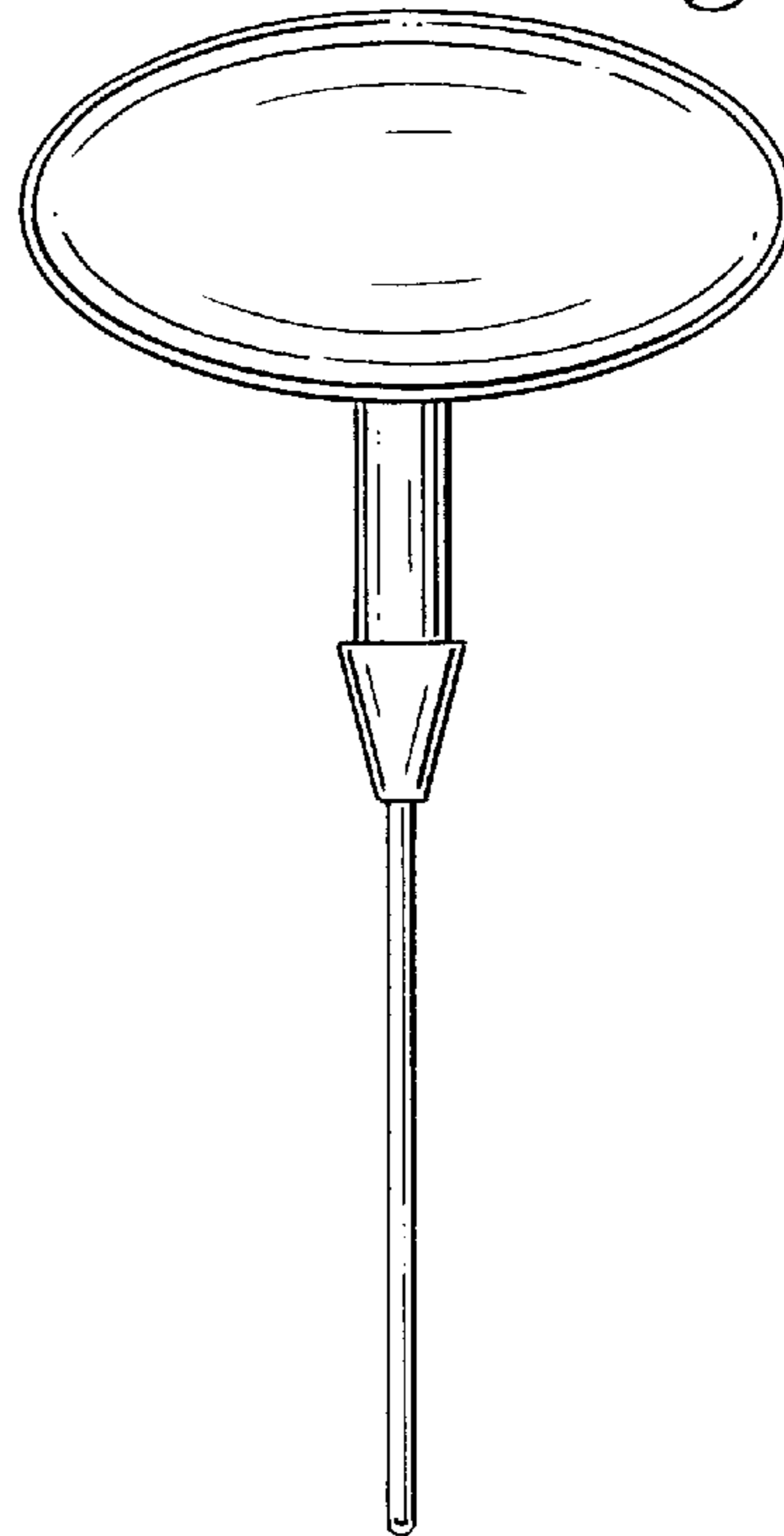


Fig.-5

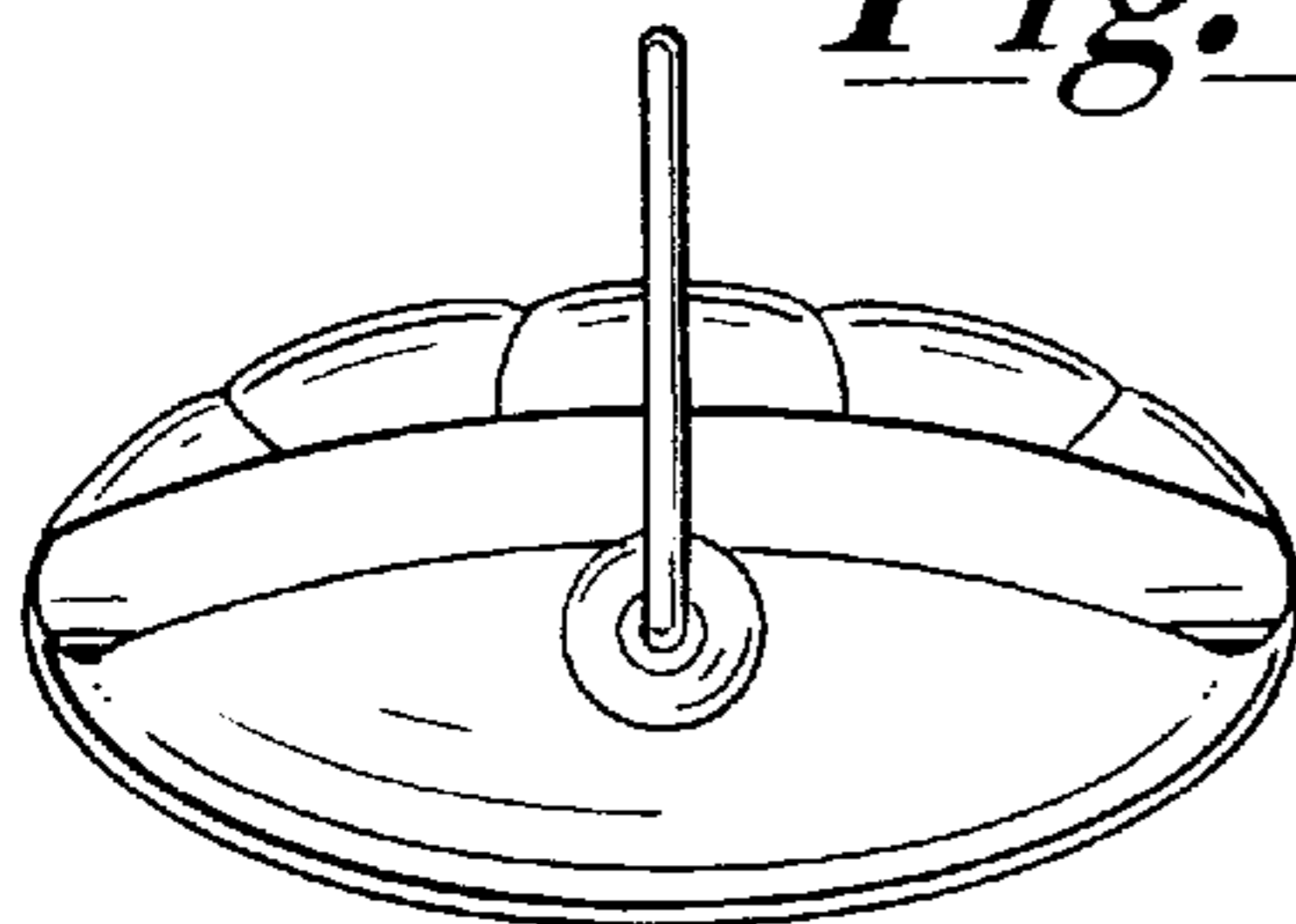


Fig.-6

