



US00D425169S

United States Patent [19]
Iwabuchi

[11] **Patent Number: Des. 425,169**

[45] **Date of Patent: ** May 16, 2000**

[54] **FISHING REEL**

[75] Inventor: **Masakazu Iwabuchi**, Osaka, Japan

[73] Assignee: **Shimano Inc.**, Osaka, Japan

[**] Term: **14 Years**

[21] Appl. No.: **29/107,771**

[22] Filed: **Jul. 13, 1999**

[51] **LOC (7) Cl.** **22-05**

[52] **U.S. Cl.** **D22/140**

[58] **Field of Search** D22/137, 140;
242/370, 223, 224, 234, 311, 322

D. 300,842 4/1989 Doi et al. D22/140
D. 346,006 4/1994 Sakurai et al. D22/140
D. 353,647 12/1994 Sakurai D22/140
4,762,290 8/1988 Emura et al. 242/223

Primary Examiner—Louis S. Zarfes
Assistant Examiner—Inga-Maria Hyttinen
Attorney, Agent, or Firm—Jordan and Hamburg LLP

[57] **CLAIM**

The ornamental design for a fishing reel, as shown and described.

DESCRIPTION

FIG. 1 is a perspective view of a fishing reel showing my new design;
FIG. 2 is a front view thereof;
FIG. 3 is a rear view thereof;
FIG. 4 is a top plan view thereof;
FIG. 5 is a bottom plan view thereof;
FIG. 6 is a right side view thereof; and,
FIG. 7 is a left side view thereof.

1 Claim, 3 Drawing Sheets

[56] **References Cited**

U.S. PATENT DOCUMENTS

D. 148,370 1/1948 Laing et al. D22/140
D. 247,247 2/1978 Okada D22/140
D. 255,702 7/1980 Inuma D22/140
D. 265,497 7/1982 Sakamoto et al. D22/140
D. 299,848 2/1989 Hiraishi et al. D22/140

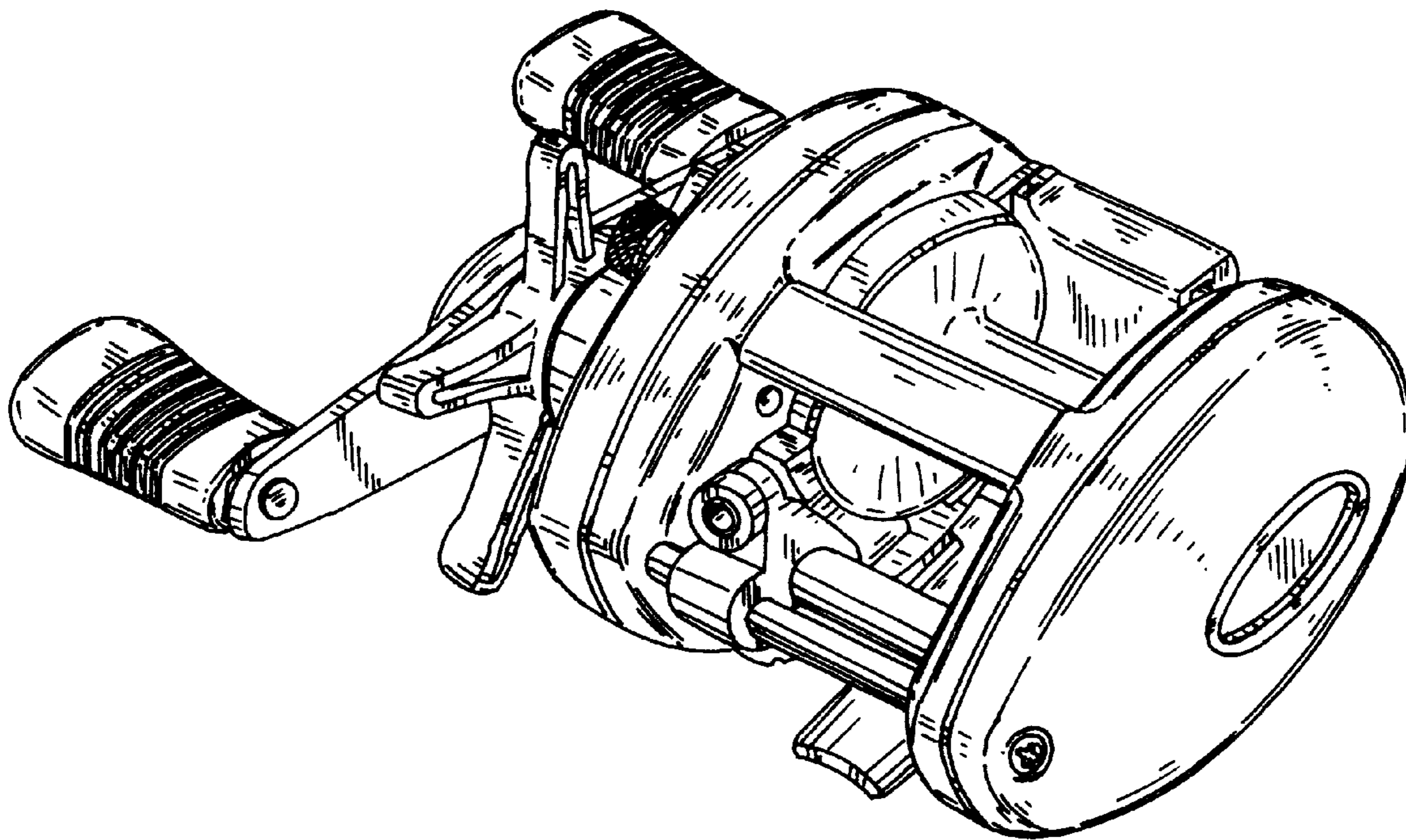


FIG. 1

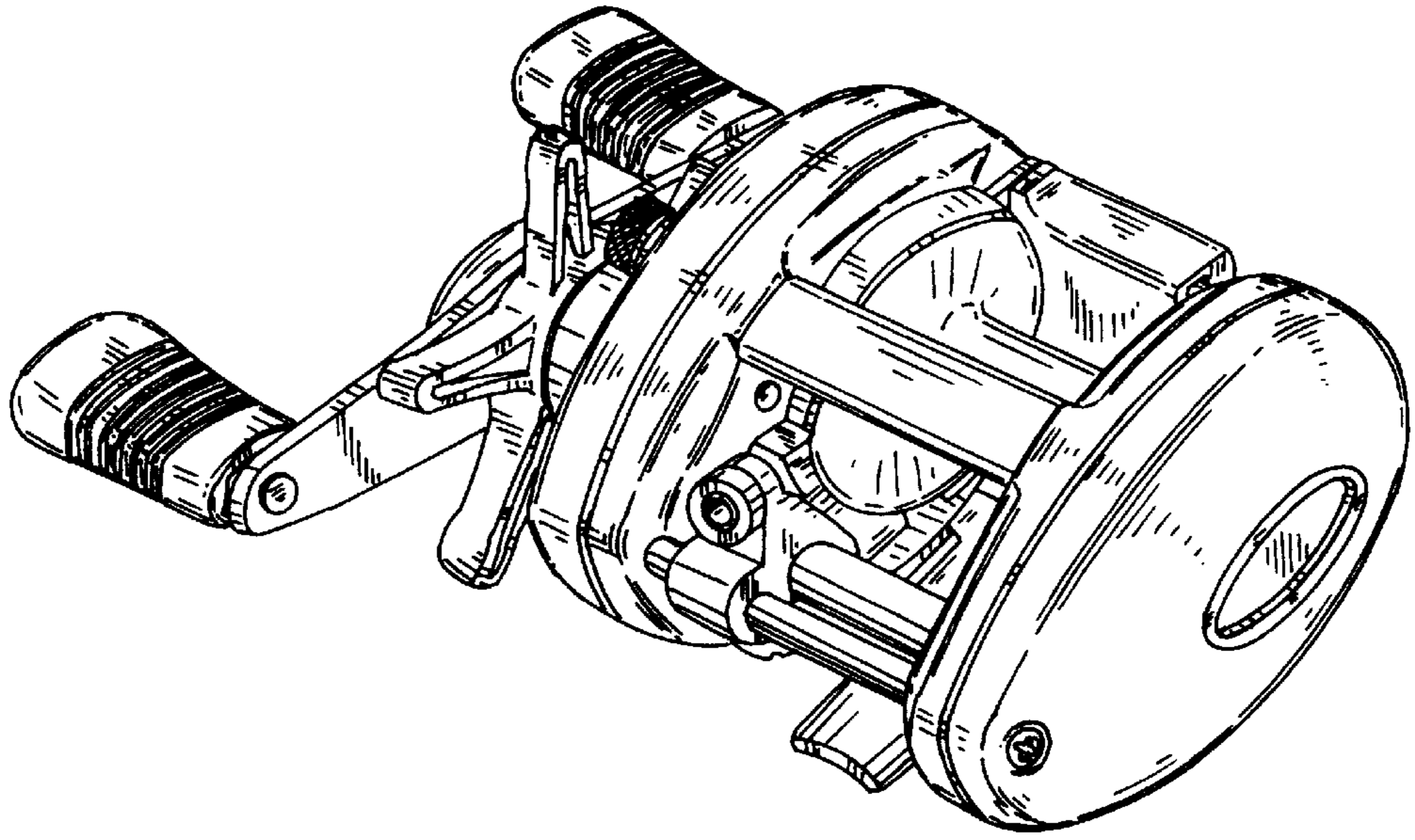


FIG. 2

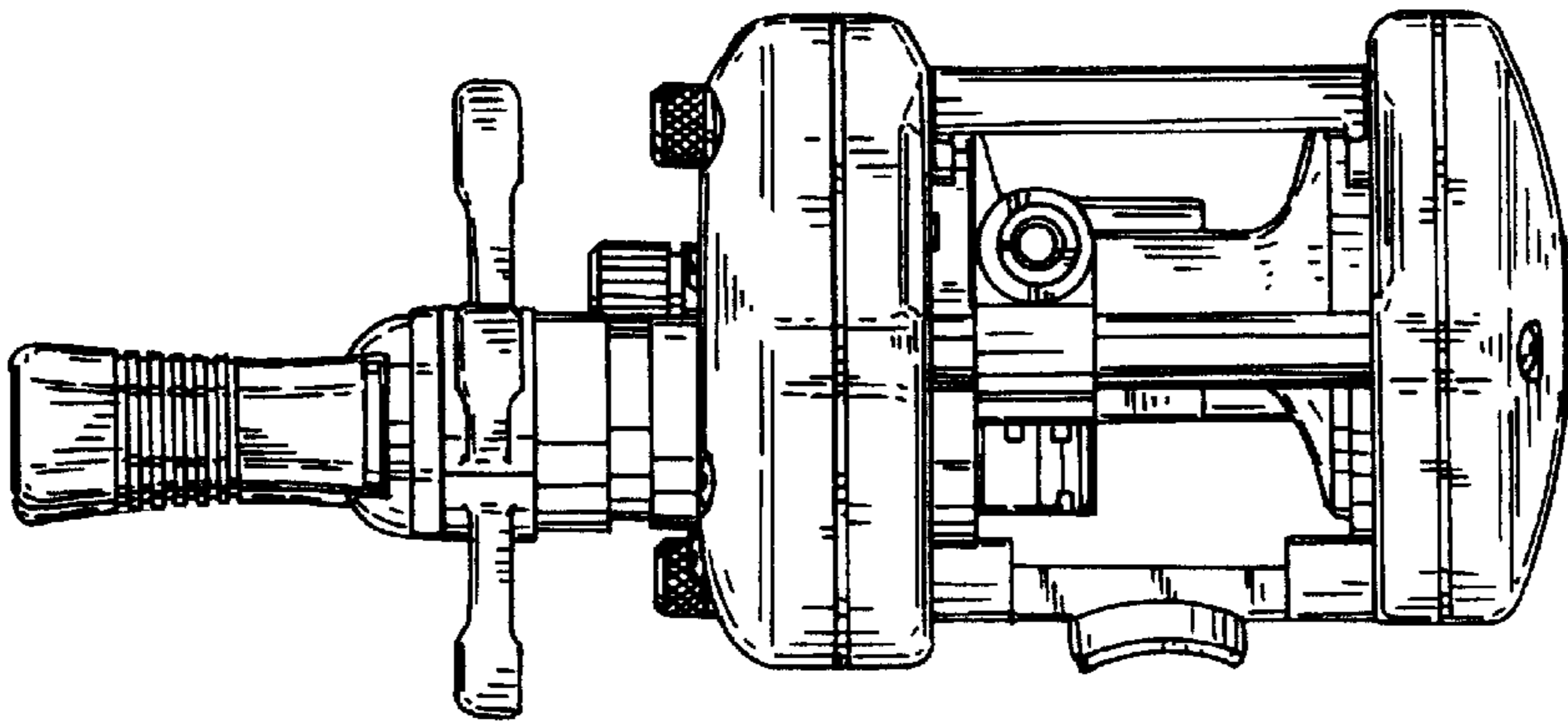


FIG. 3

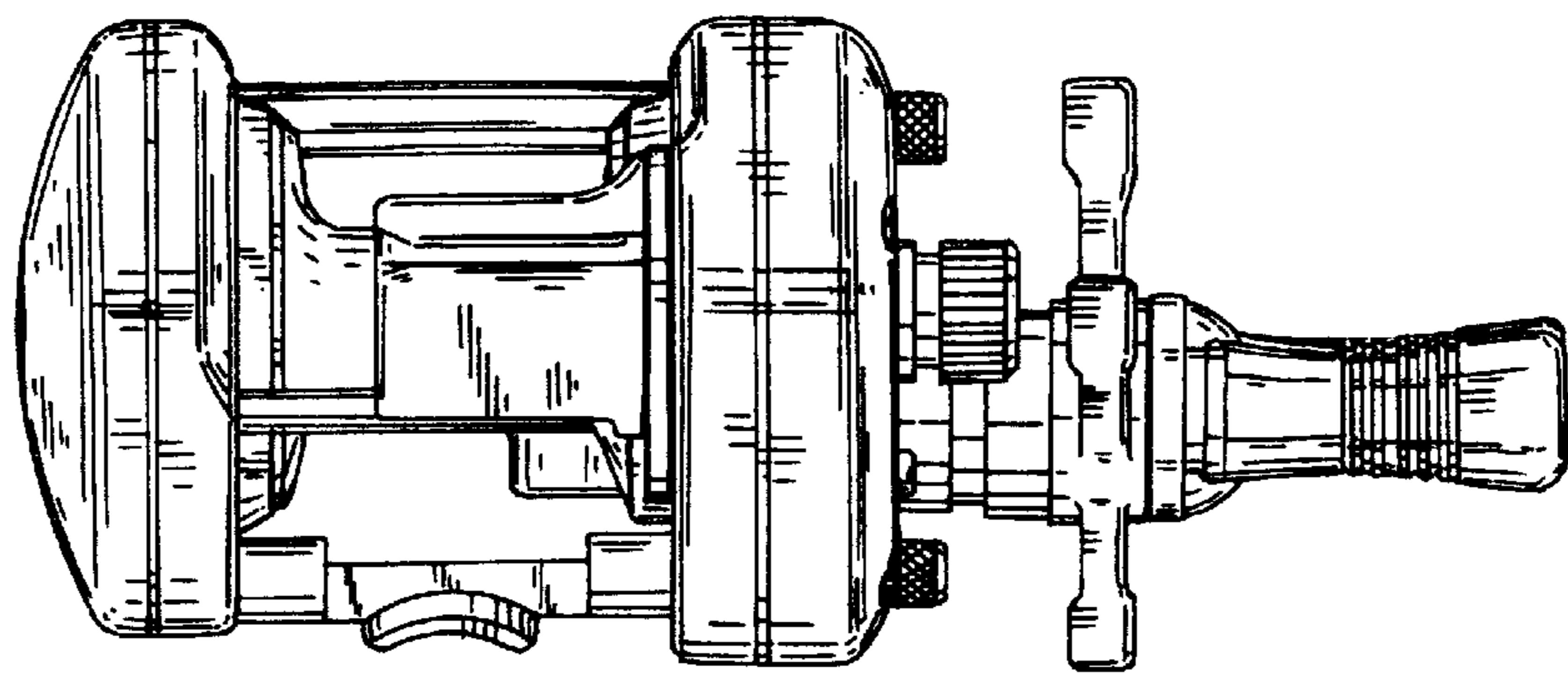


FIG. 4

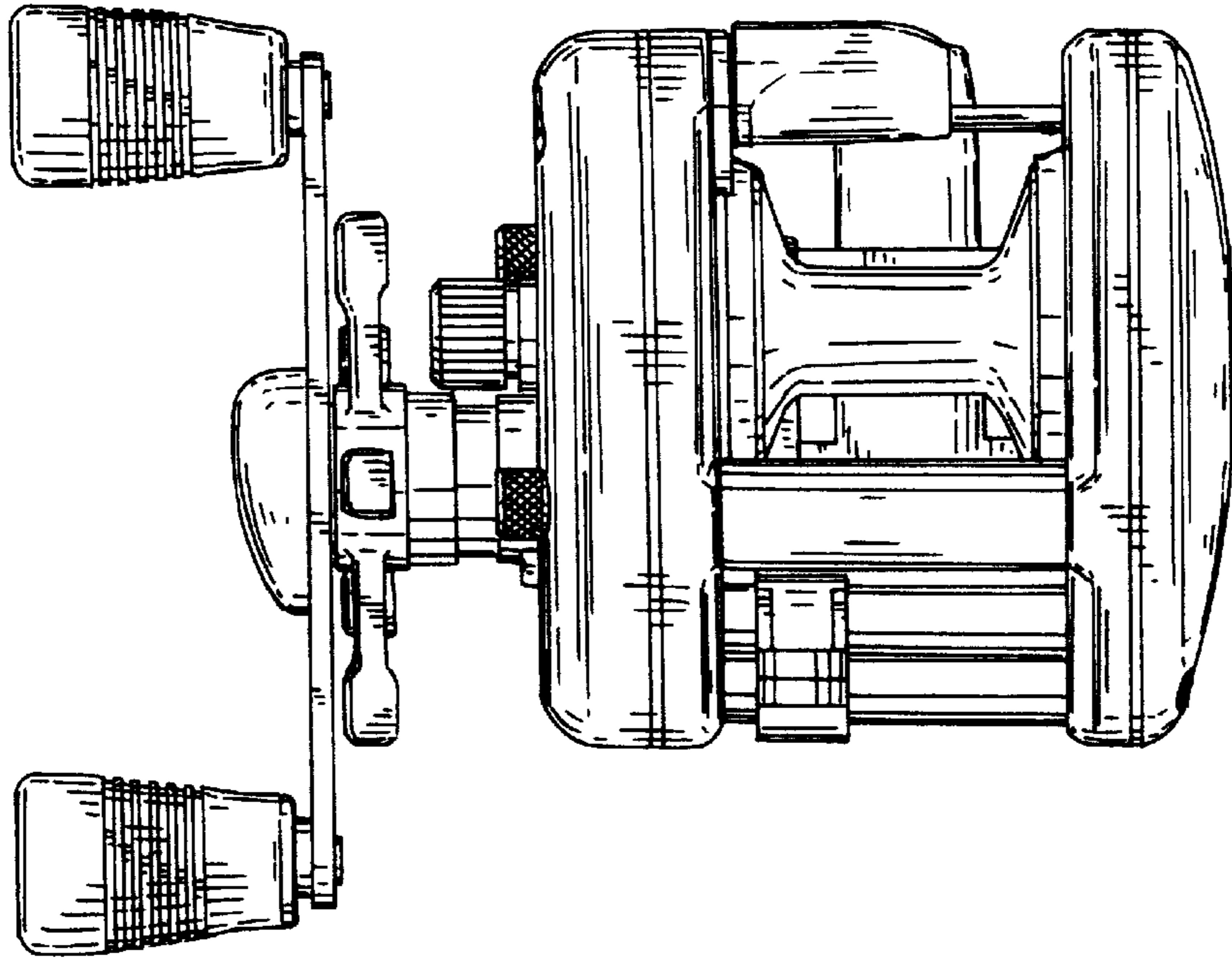


FIG. 5

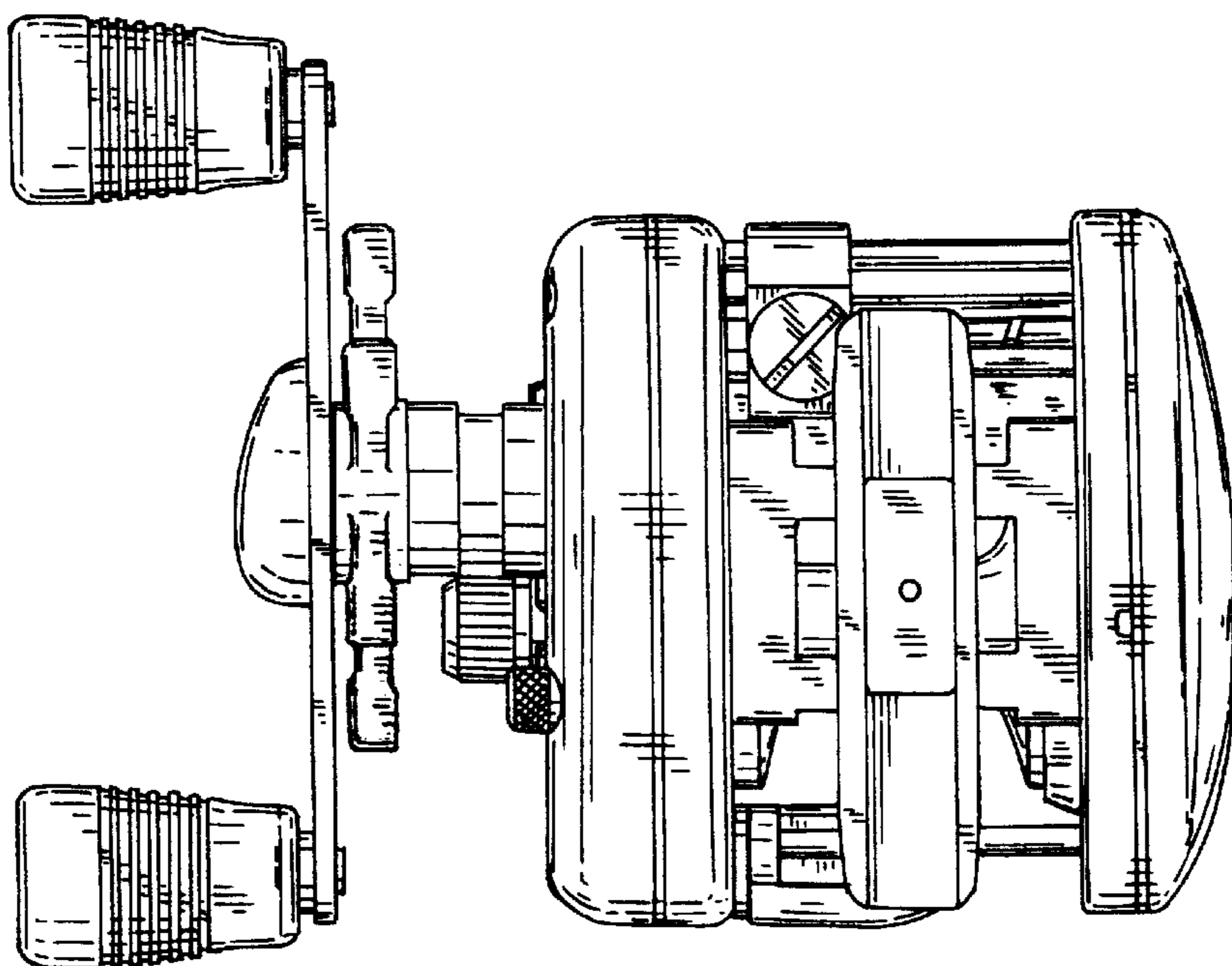


FIG. 6

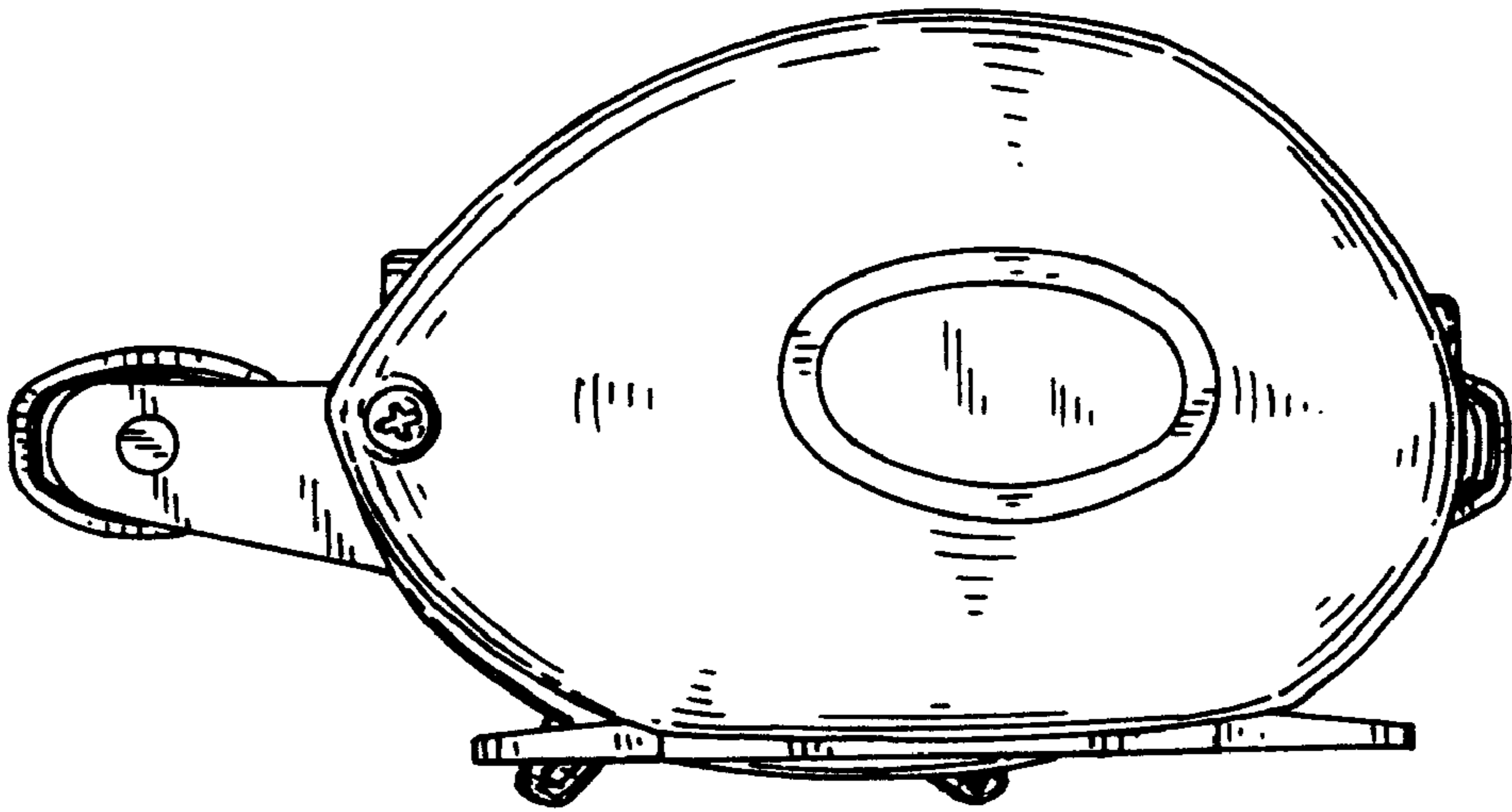


FIG. 7

