



US00D425166S

United States Patent [19]
Mattson

[11] **Patent Number: Des. 425,166**

[45] **Date of Patent: ** May 16, 2000**

[54] **FACE SHADE**

[76] **Inventor: Eric L. Mattson, 257 Spanish Spur, Fallbrook, Calif. 92028**

[**] **Term: 14 Years**

[21] **Appl. No.: 29/086,780**

[22] **Filed: Apr. 20, 1998**

[51] **LOC (7) Cl. 21-04**

[52] **U.S. Cl. D21/837**

[58] **Field of Search D21/834-838; D6/491; 135/124, 128, 136, 143, 156, 117, 119**

3,190,300	6/1965	Wear'n .	
4,063,318	12/1977	Nicholson	5/327
4,379,349	4/1983	Larson	2/9
4,741,053	5/1988	Okamura, Sr.	2/196
4,870,984	10/1989	Roth	135/109
5,116,288	5/1992	Kondo et al.	2/177
5,823,217	10/1998	Rice	135/124

Primary Examiner—Sandra L. Morris
Attorney, Agent, or Firm—Goldstein & Canino

[57] **CLAIM**

The ornamental design for a face shade, as shown and described.

DESCRIPTION

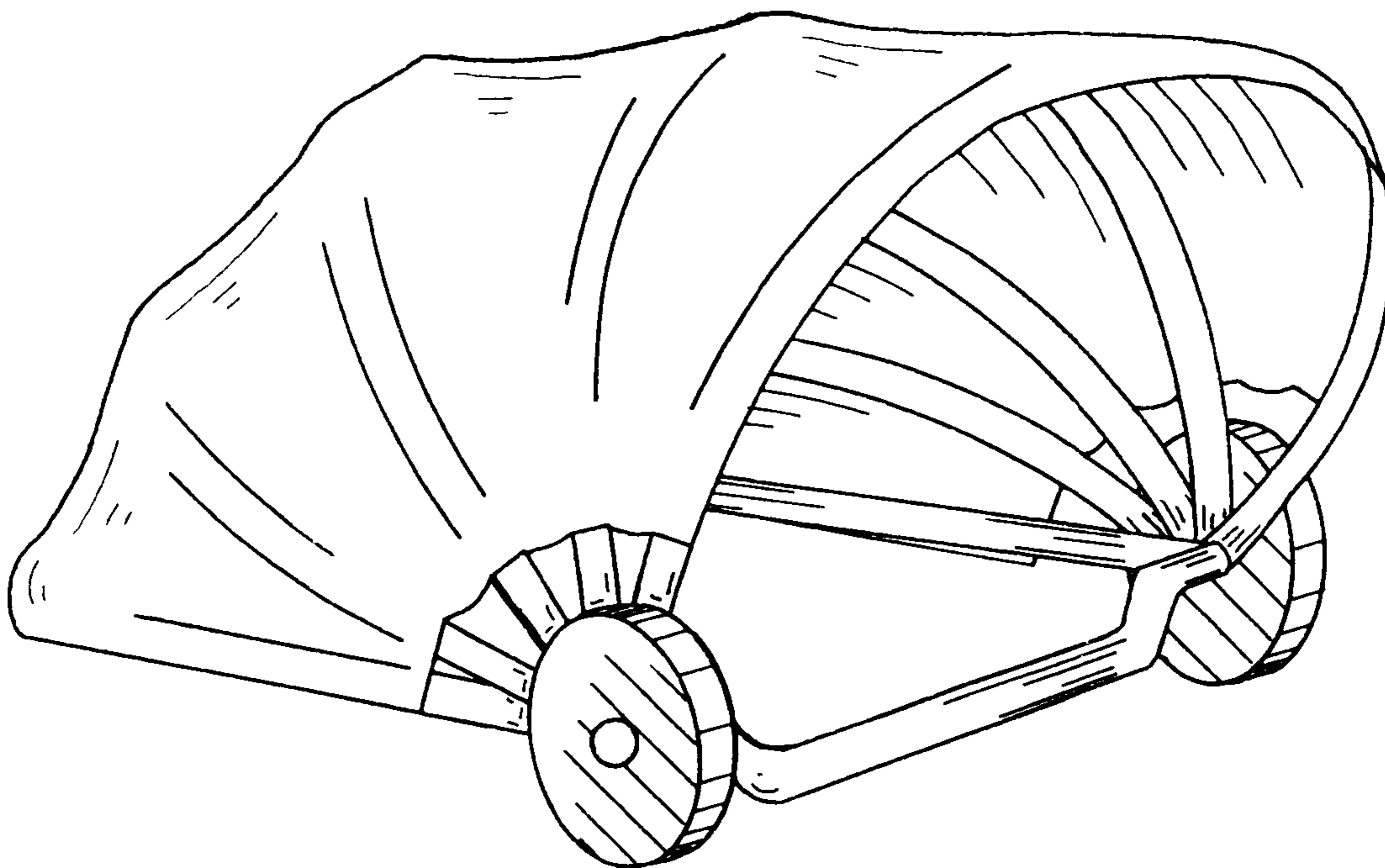
FIG. 1 is a diagrammatic perspective view of the face shade. FIG. 2 is a front elevational view thereof. FIG. 3 is a rear elevational view thereof. FIG. 4 is a right side elevational view thereof, the left side view being a mirror image of the right side view. FIG. 5 is a top plan view of the face shade; and, FIG. 6 is a bottom plan view thereof.

1 Claim, 3 Drawing Sheets

[56] **References Cited**

U.S. PATENT DOCUMENTS

D. 261,407	10/1981	Moss	D21/837
D. 287,041	12/1986	Gitchel et al.	D21/837
D. 291,515	8/1987	Stephens et al.	D6/491
D. 335,046	4/1993	Diez	D6/389
2,266,853	12/1941	Dabney .	
3,082,780	3/1963	Macy .	



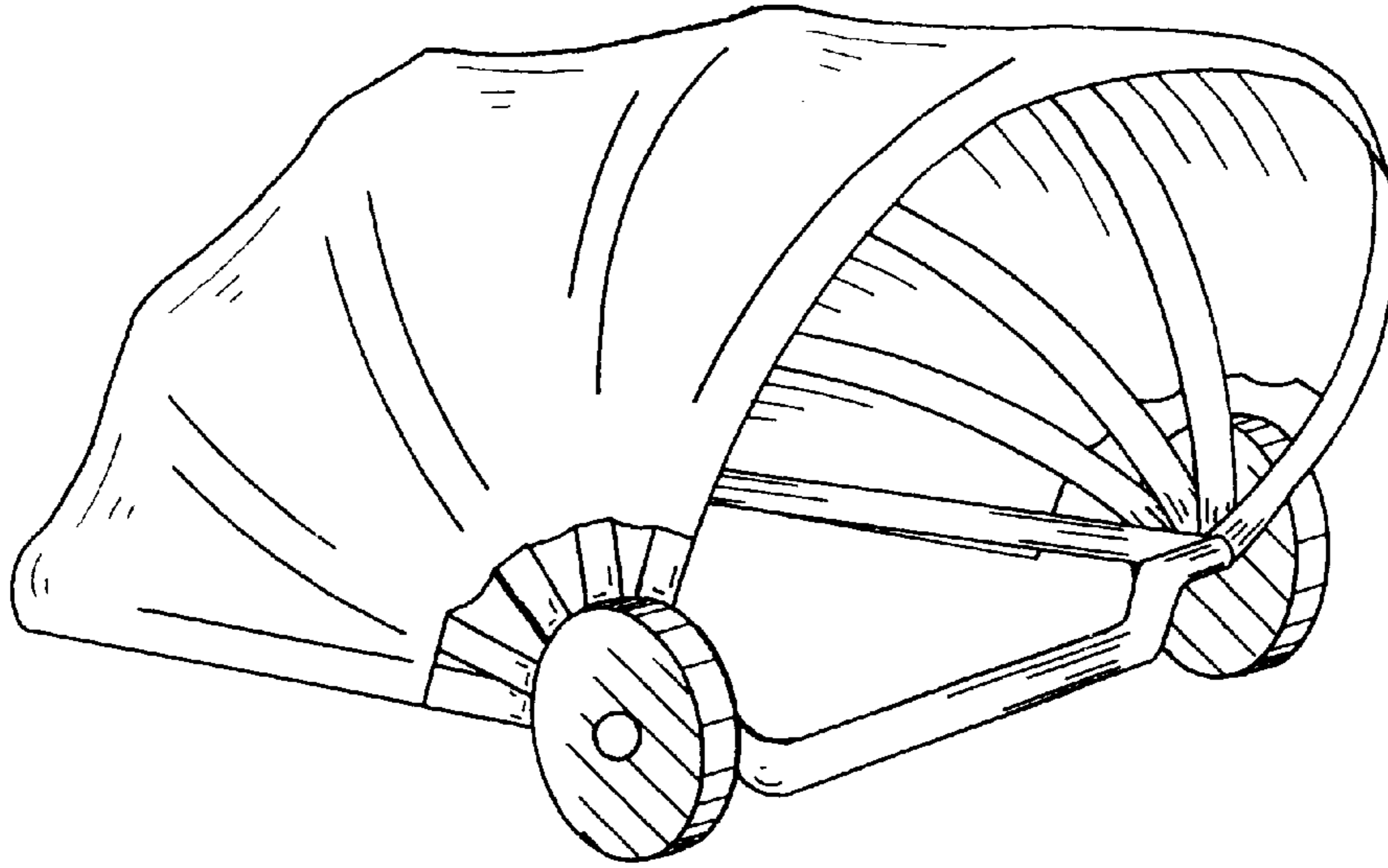
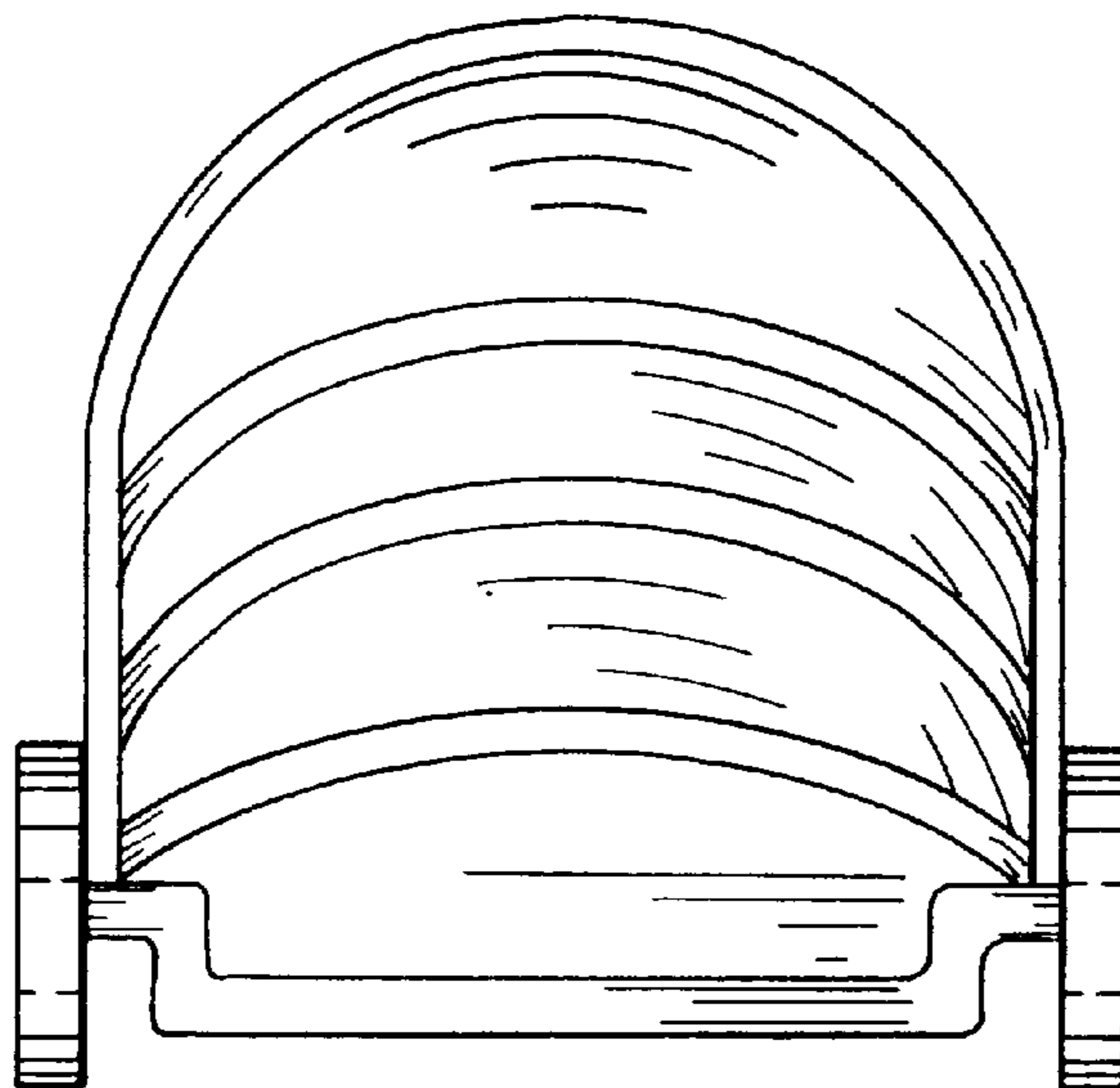


FIG. 1

FIG. 2



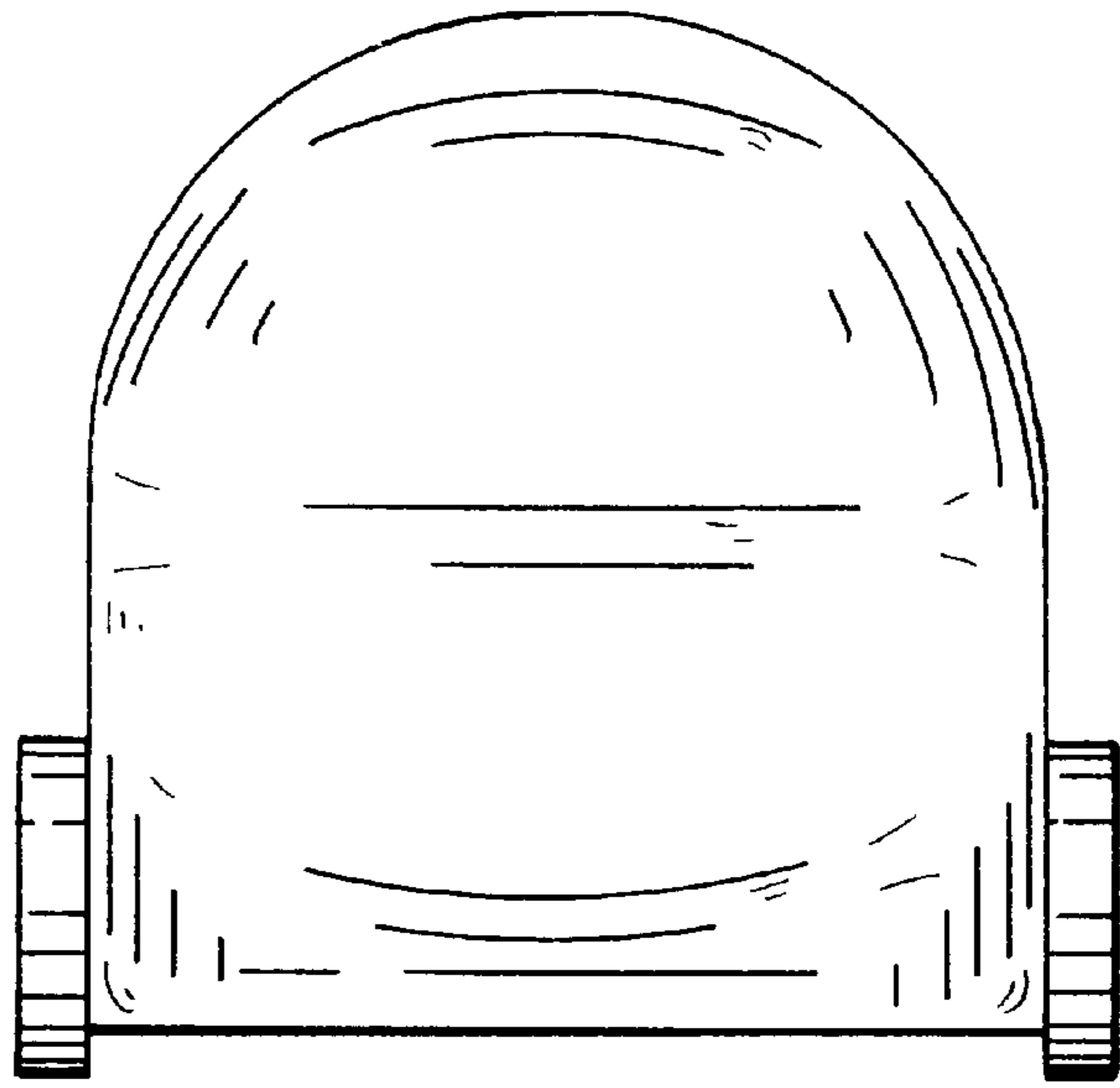
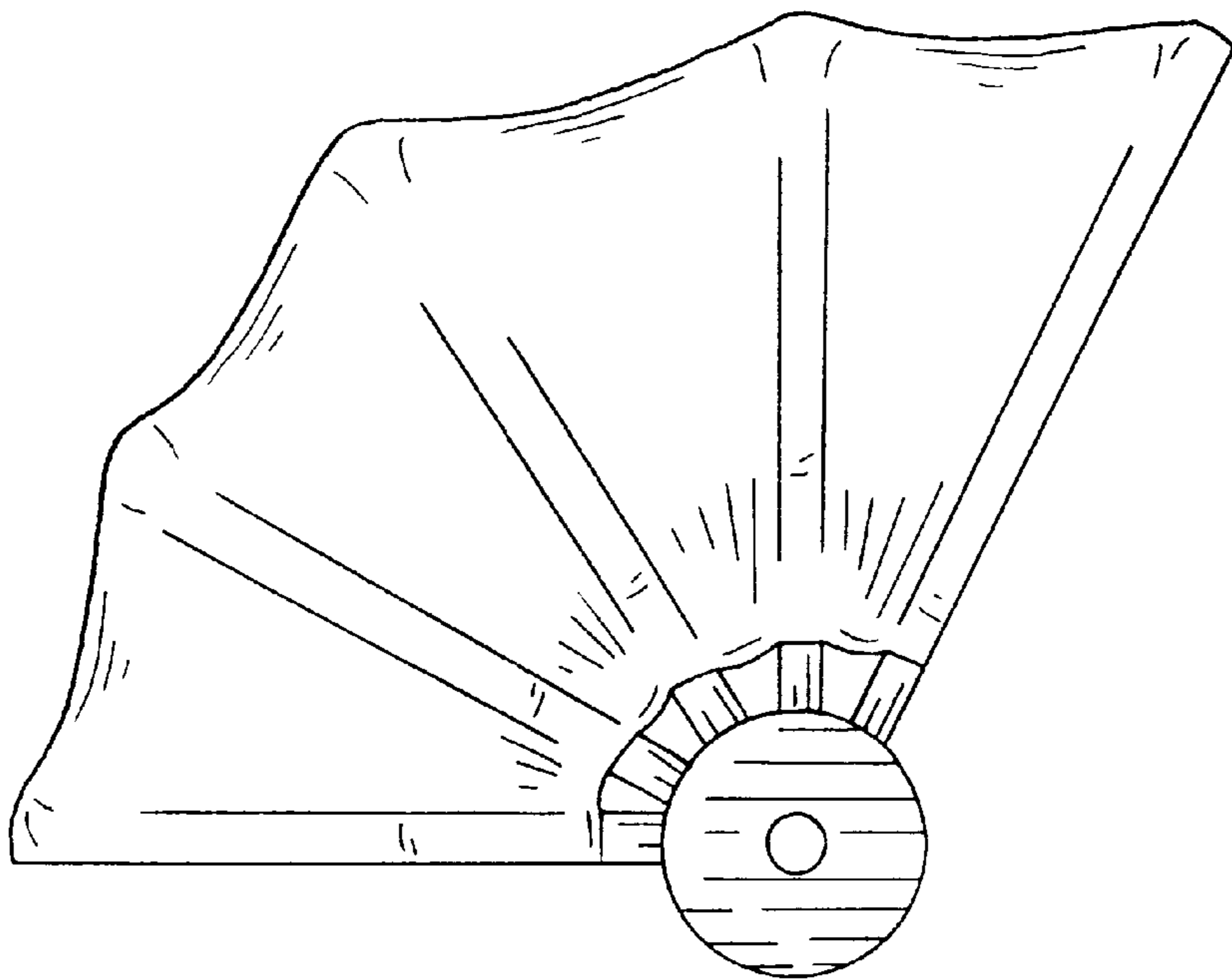


FIG. 3

FIG. 4



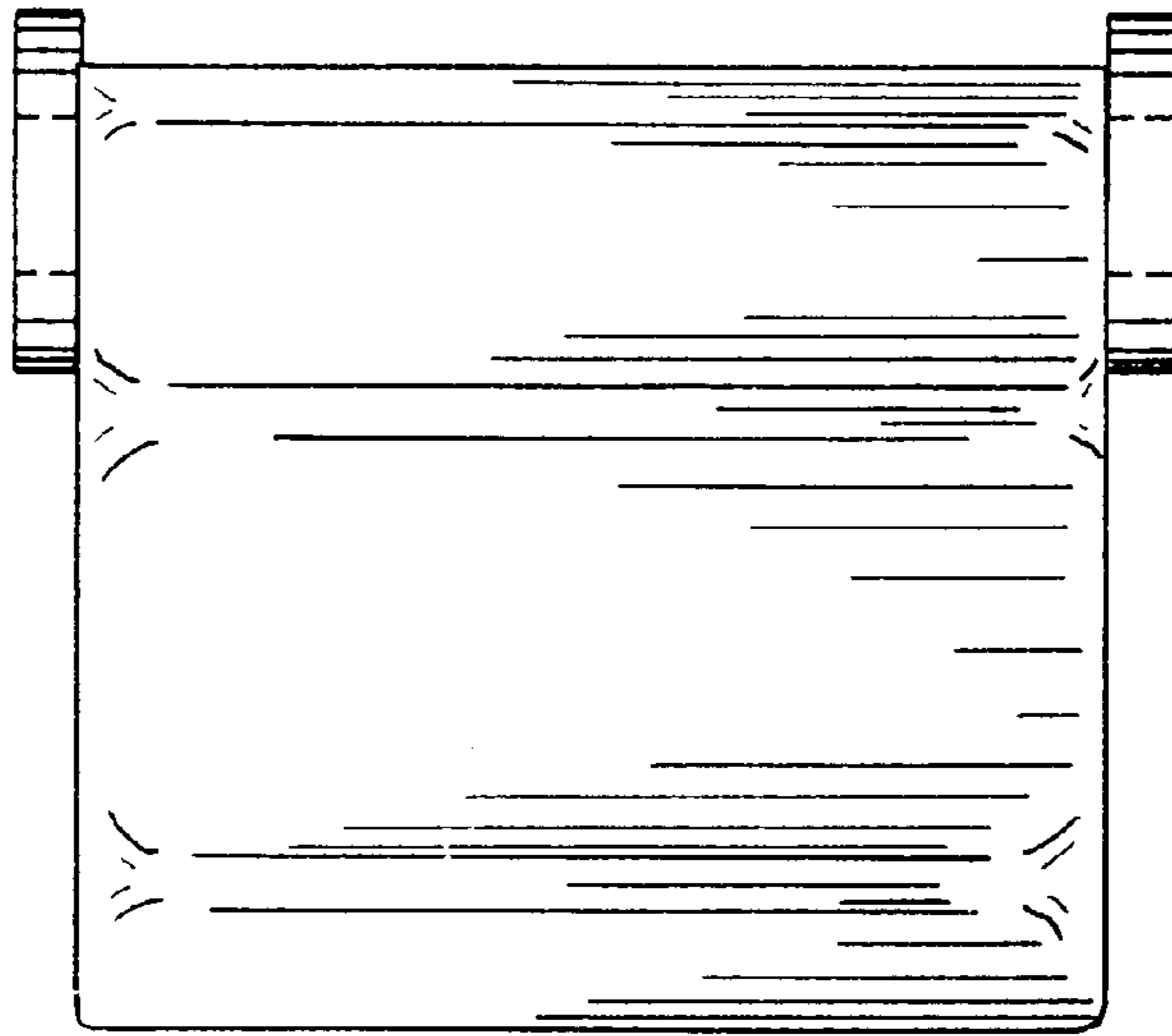


FIG. 5

FIG. 6

