



US00D425165S

United States Patent [19] Klimenko

[11] Patent Number: **Des. 425,165**

[45] Date of Patent: **** May 16, 2000**

[54] **INFLATABLE POOL WITH COVER**

5,924,144 7/1999 Peterson .
5,987,661 11/1999 Peterson 4/488

[75] Inventor: **Konstantin Klimenko**, Los Angeles, Calif.

OTHER PUBLICATIONS

Cover page of promotional literature of Sevylor entitled "Piscines gonflables" (one page; dated 1965).

[73] Assignee: **Sevylor U.S.A., Inc.**, Los Angeles, Calif.

Primary Examiner—Mitchell Siegel
Attorney, Agent, or Firm—Dean W. Russell; Kilpatrick Stockton LLP

[**] Term: **14 Years**

[21] Appl. No.: **29/106,360**

[22] Filed: **Jun. 14, 1999**

[57] CLAIM

The ornamental design for an inflatable pool with cover, as shown and described.

[51] **LOC (7) Cl.** **21-03**

[52] **U.S. Cl.** **D21/815**

[58] **Field of Search** D21/815, 816;
4/488, 494, 498

DESCRIPTION

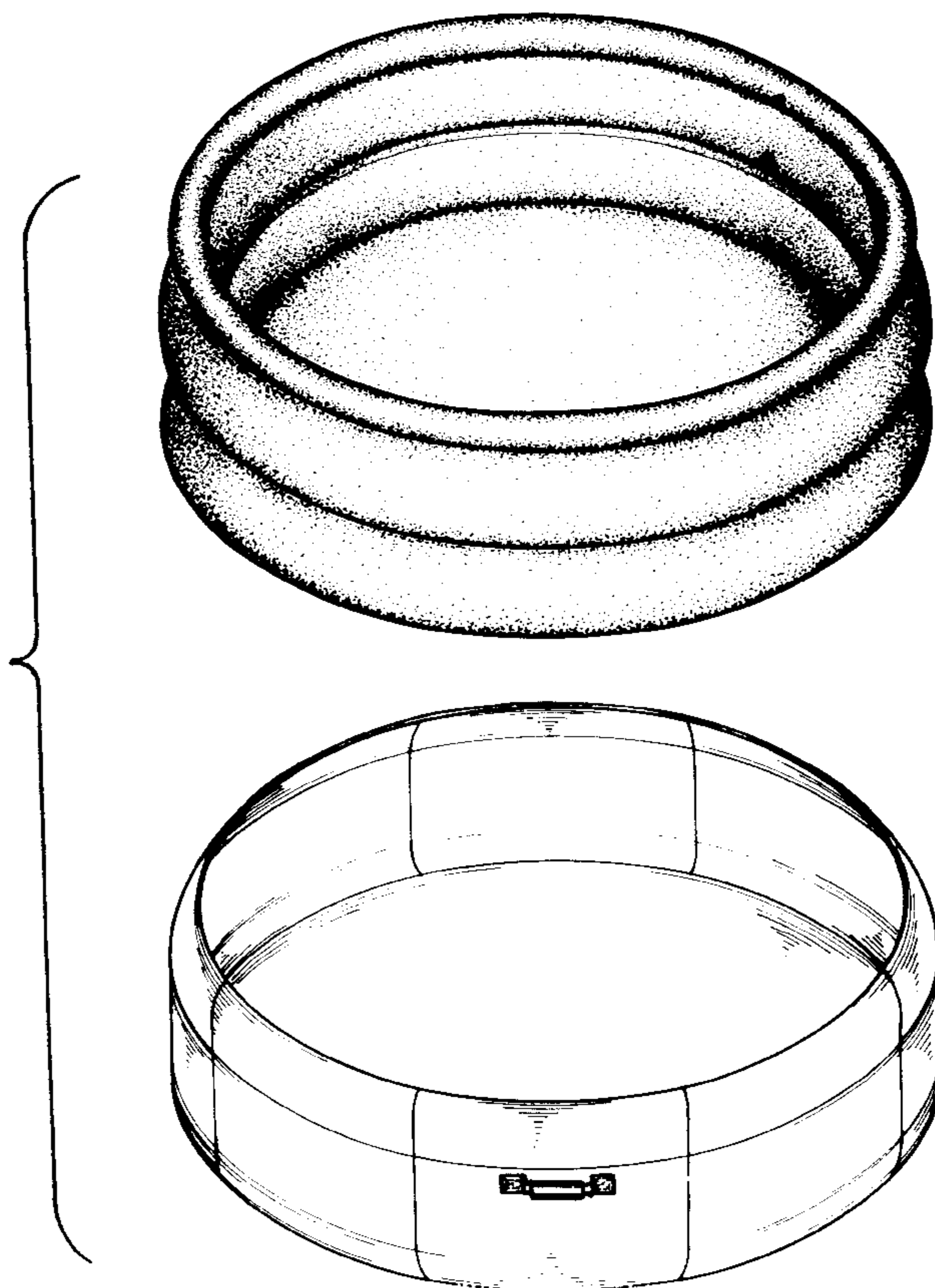
FIG. 1 is a perspective view of an inflatable pool having a cover;
FIG. 2 is an exploded perspective view detailing both the pool and cover of FIG. 1;
FIG. 3 is a side view of the covered pool of FIG. 1, the opposite side being identical thereto (except for omission of the handle, with the region visible because of omission of the handle being ornamented no differently than the regions immediately adjacent thereto);
FIG. 4 is a plan view of the bottom of the covered pool of FIG. 1; and,
FIG. 5 is a cross sectional view taken along line 5—5 of FIG. 4.

[56] References Cited

U.S. PATENT DOCUMENTS

- D. 177,219 3/1956 Crupi, Jr. .
- D. 224,241 7/1972 Tytel .
- D. 318,895 8/1991 Kuan .
- D. 334,238 3/1993 Spedini .
- D. 370,748 6/1996 Janis .
- D. 404,457 1/1999 Peterson .
- D. 411,015 6/1999 Hinsperger .
- 2,689,812 9/1954 Mollica et al. .
- 2,861,277 11/1958 Hermann .
- 3,631,544 1/1972 Tytel .
- 3,710,791 1/1973 Deaton .
- 5,575,738 11/1996 Millington et al. 482/35

1 Claim, 4 Drawing Sheets



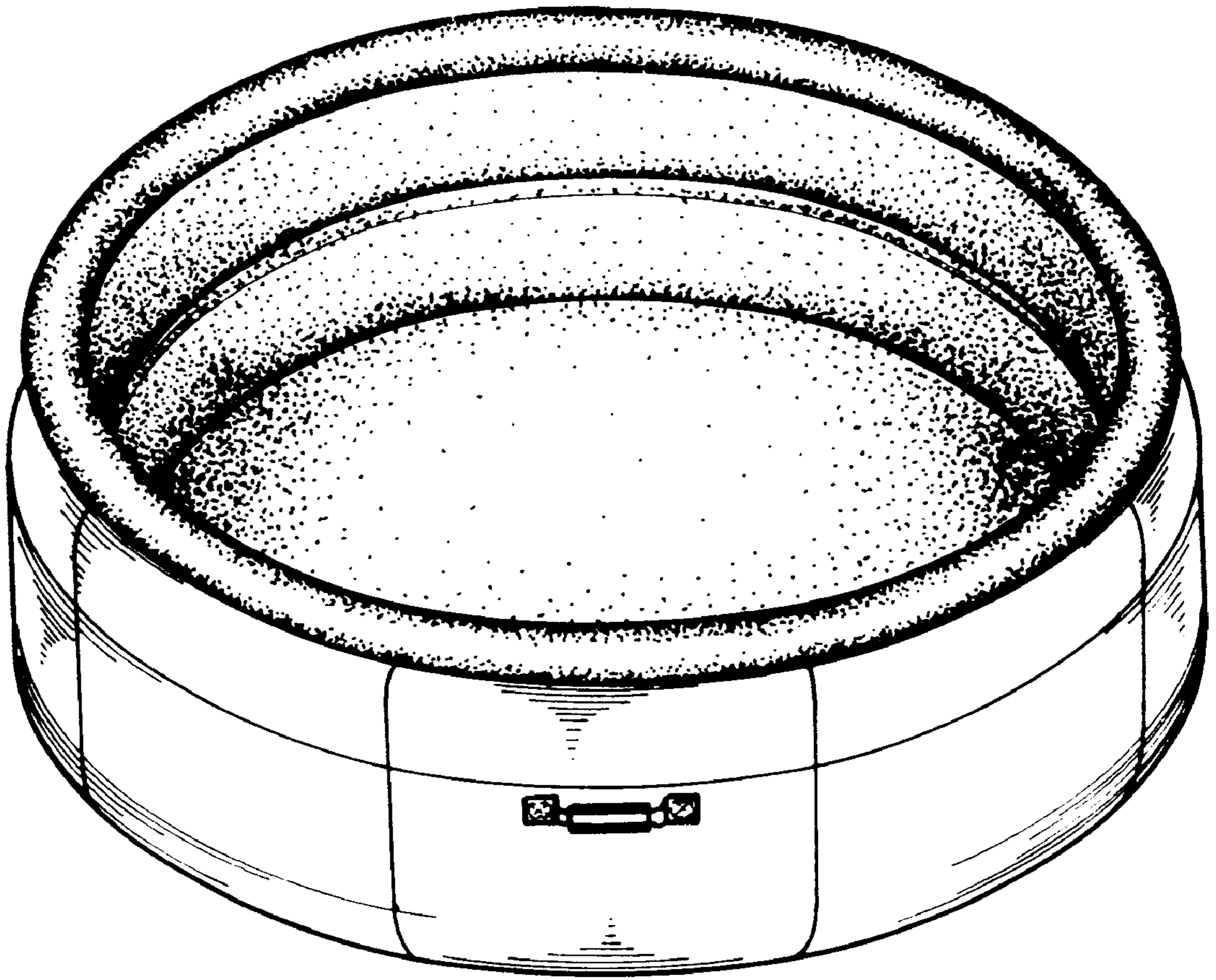


FIG. 1

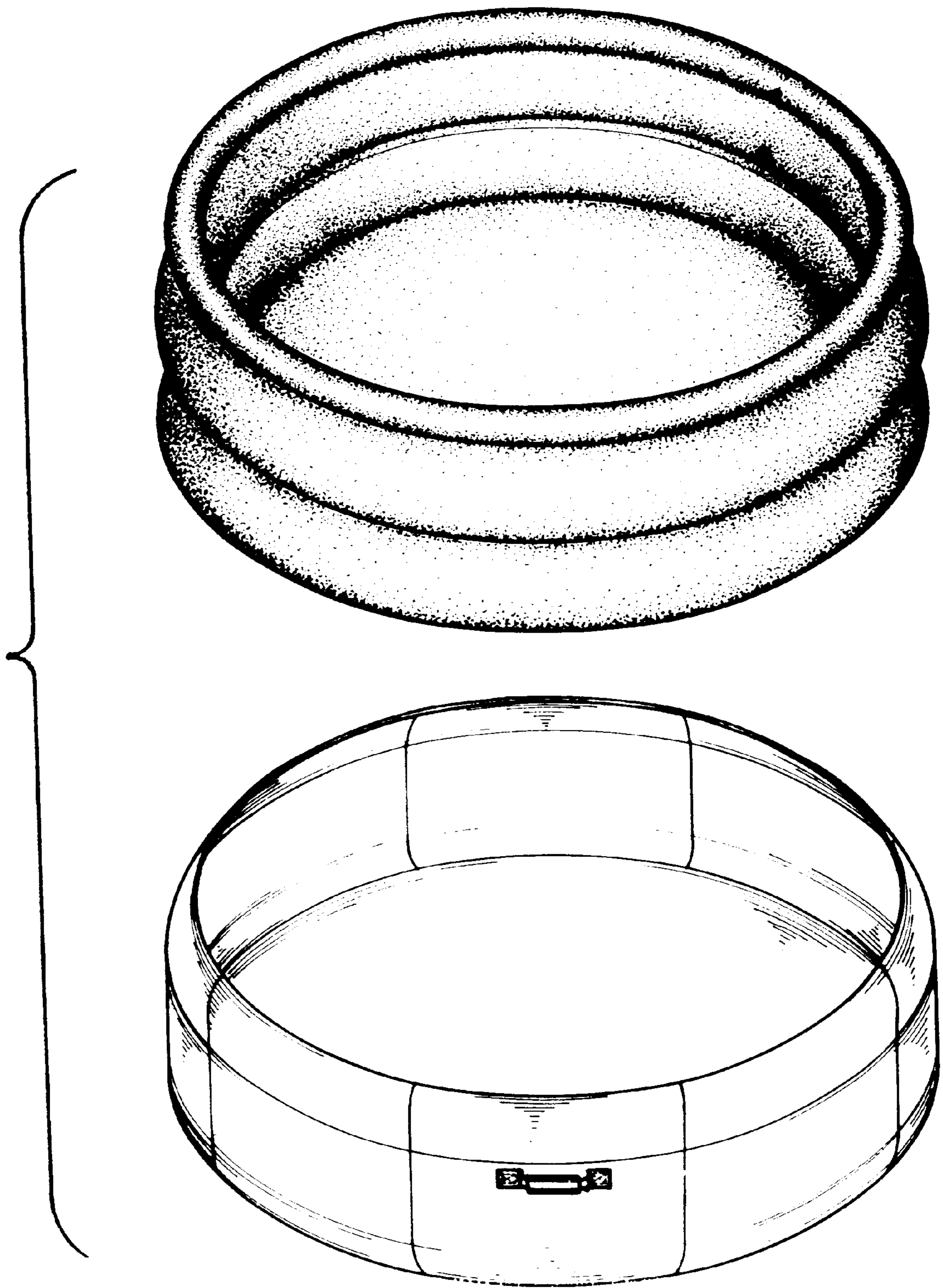


FIG. 2

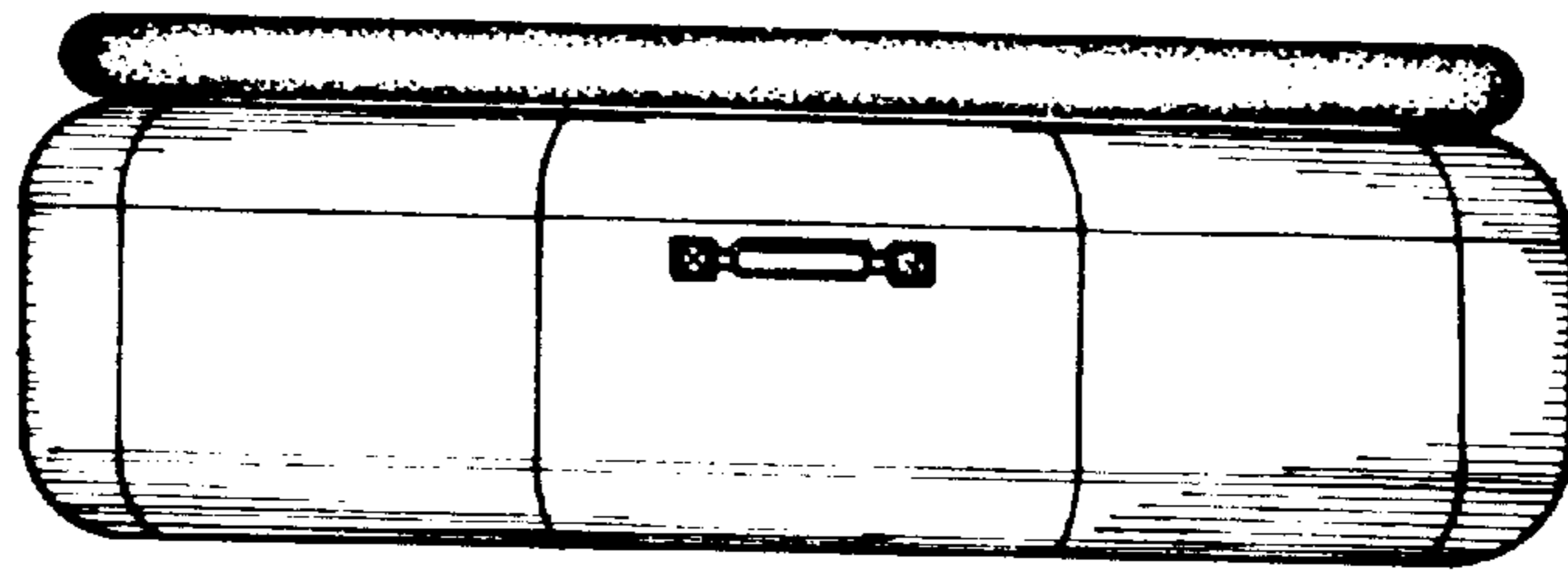


FIG. 3

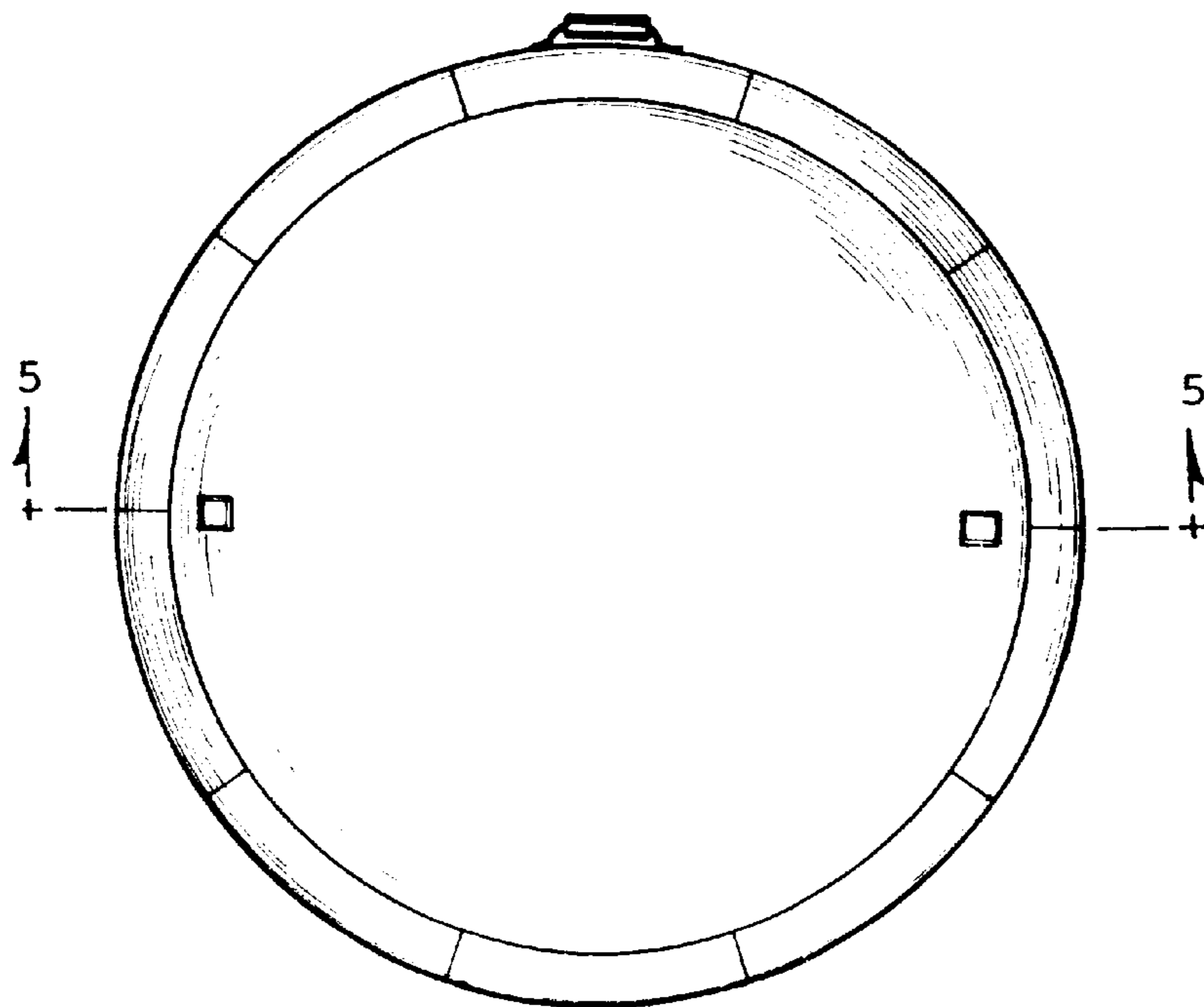


FIG. 4



FIG. 5