



US00D425163S

United States Patent [19]
Cauffman et al.

[11] **Patent Number: Des. 425,163**

[45] **Date of Patent: ** May 16, 2000**

[54] **GOLF GREEN TOOL**

DESCRIPTION

[76] Inventors: **Russell E. Cauffman**, 1731 Thornhill Dr., South Bend, Ind. 46614; **William R. Cauffman**, 32474 Early Rd., New Carlisle, Ind. 46552

[**] Term: **14 Years**

[21] Appl. No.: **29/106,073**

[22] Filed: **Jun. 7, 1999**

[51] **LOC (7) Cl.** **21-02**

[52] **U.S. Cl.** **D21/793**

[58] **Field of Search** D21/793; 473/286, 473/408

[56] **References Cited**

U.S. PATENT DOCUMENTS

D. 238,436	1/1976	McKelvey	D21/793
D. 285,233	8/1986	Owen	D21/793
D. 306,057	2/1990	Vaughan, Jr.	D21/793
D. 369,637	5/1996	Digerness et al.	D21/793

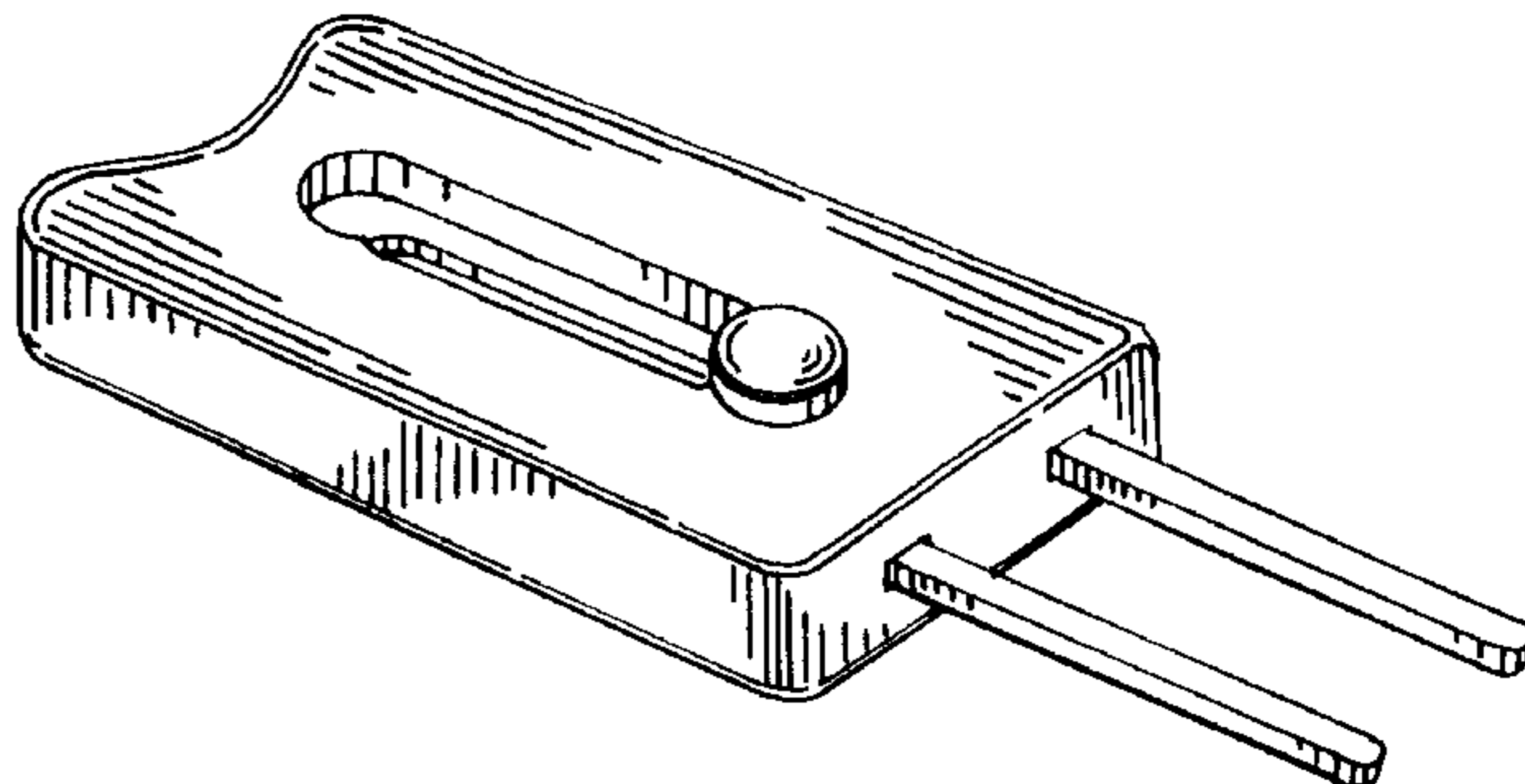
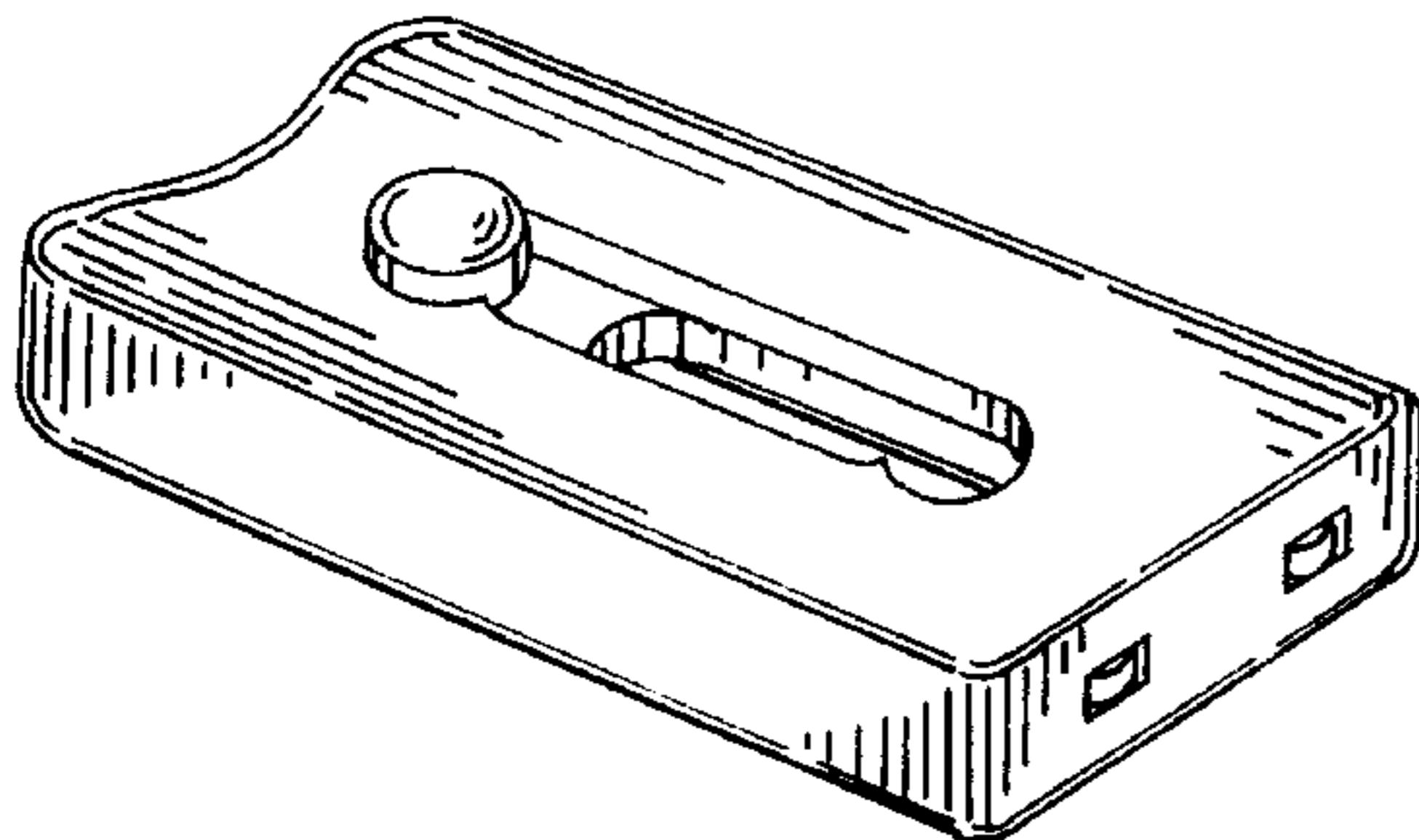
Primary Examiner—Mitchell Siegel
Attorney, Agent, or Firm—R. Tracy Crump

[57] **CLAIM**

I claim the ornamental design of a golf green tool, as shown and described.

FIG. 1 is front perspective view of the golf green tool of the present invention with the prongs retracted;
 FIG. 2 is side view in elevation of the tool as seen from the right of FIG. 1 with the prongs retracted;
 FIG. 3 is side view in elevation of the tool as seen from the left side of FIG. 1 with the prongs retracted;
 FIG. 4 is a top plan view of the tool of FIG. 1 with the prongs retracted;
 FIG. 5 is a bottom plan view of tool of FIG. 1 with the prongs retracted;
 FIG. 6 is a front view in elevation of the tool of FIG. 1 with the prongs retracted;
 FIG. 7 is a rear view in elevation of tool of FIG. 1 with the prongs retracted;
 FIG. 8 is front perspective view of the golf green tool of the present invention with the prongs extended;
 FIG. 9 is side view in elevation of the tool as seen from the right side of FIG. 1 with the prongs extended;
 FIG. 10 is side view in elevation of the tool as seen from the left side of FIG. 1 with the prongs extended;
 FIG. 11 is a top plan view of tool of FIG. 1 with the prongs extended;
 FIG. 12 is a bottom plan view of tool of FIG. 1 with the prongs extended;
 FIG. 13 is a front view in elevation of the tool of FIG. 1 with the prongs extended; and,
 FIG. 14 is a rear view in elevation of tool of FIG. 1 with the prongs extended.

1 Claim, 4 Drawing Sheets



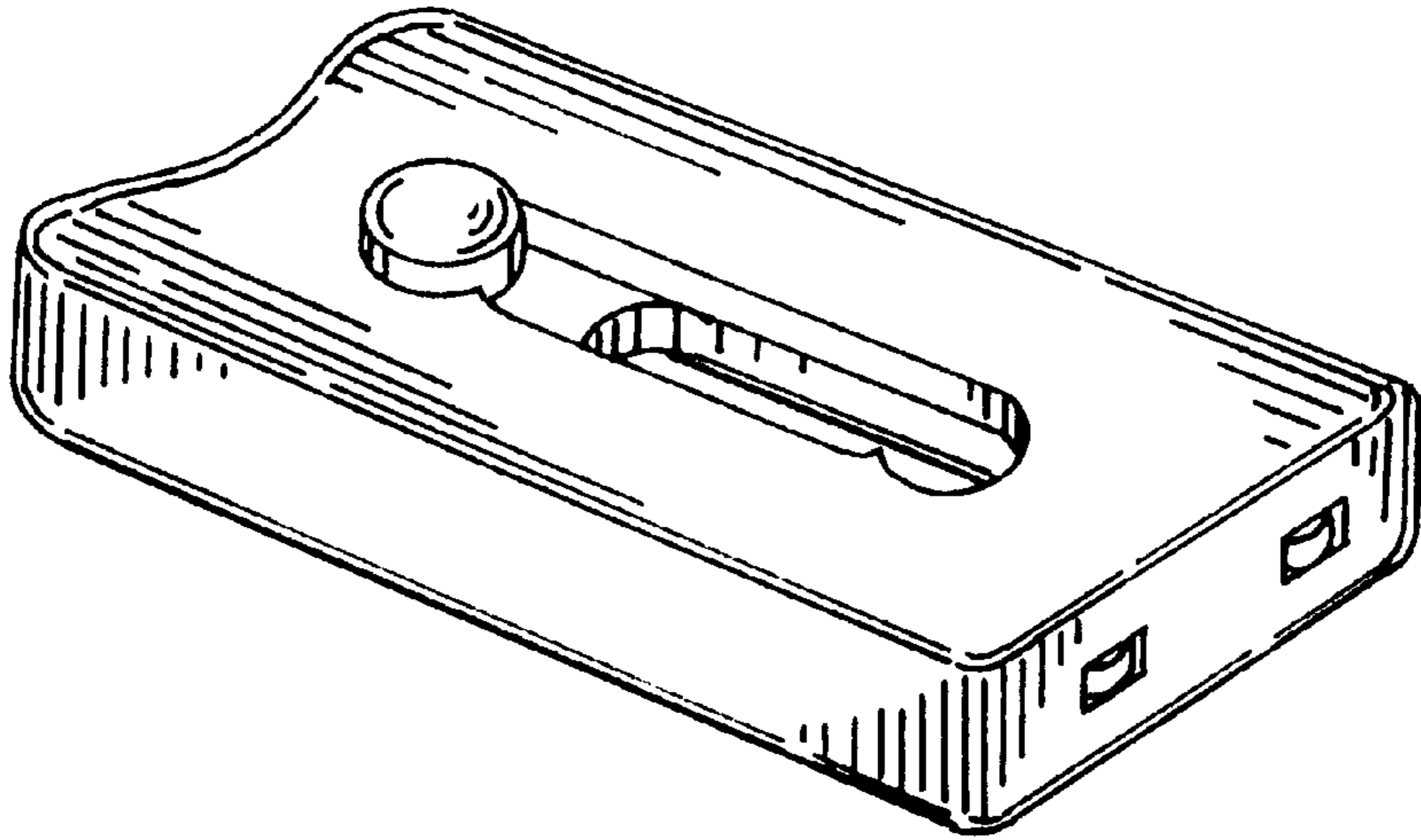


FIG. 1

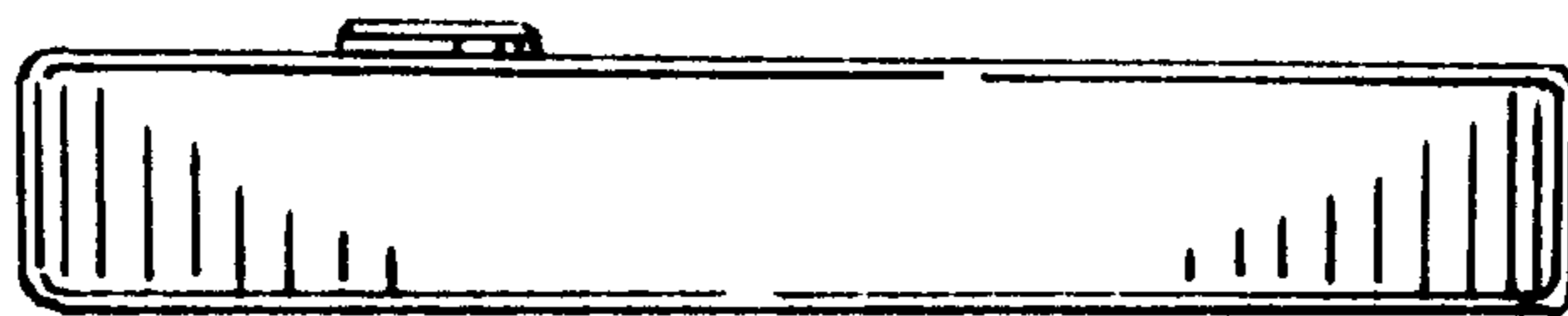


FIG. 2

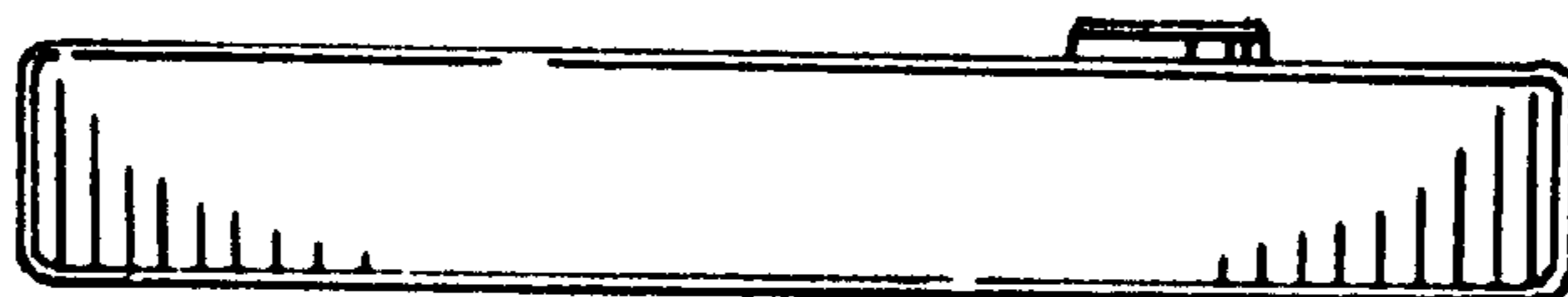


FIG. 3

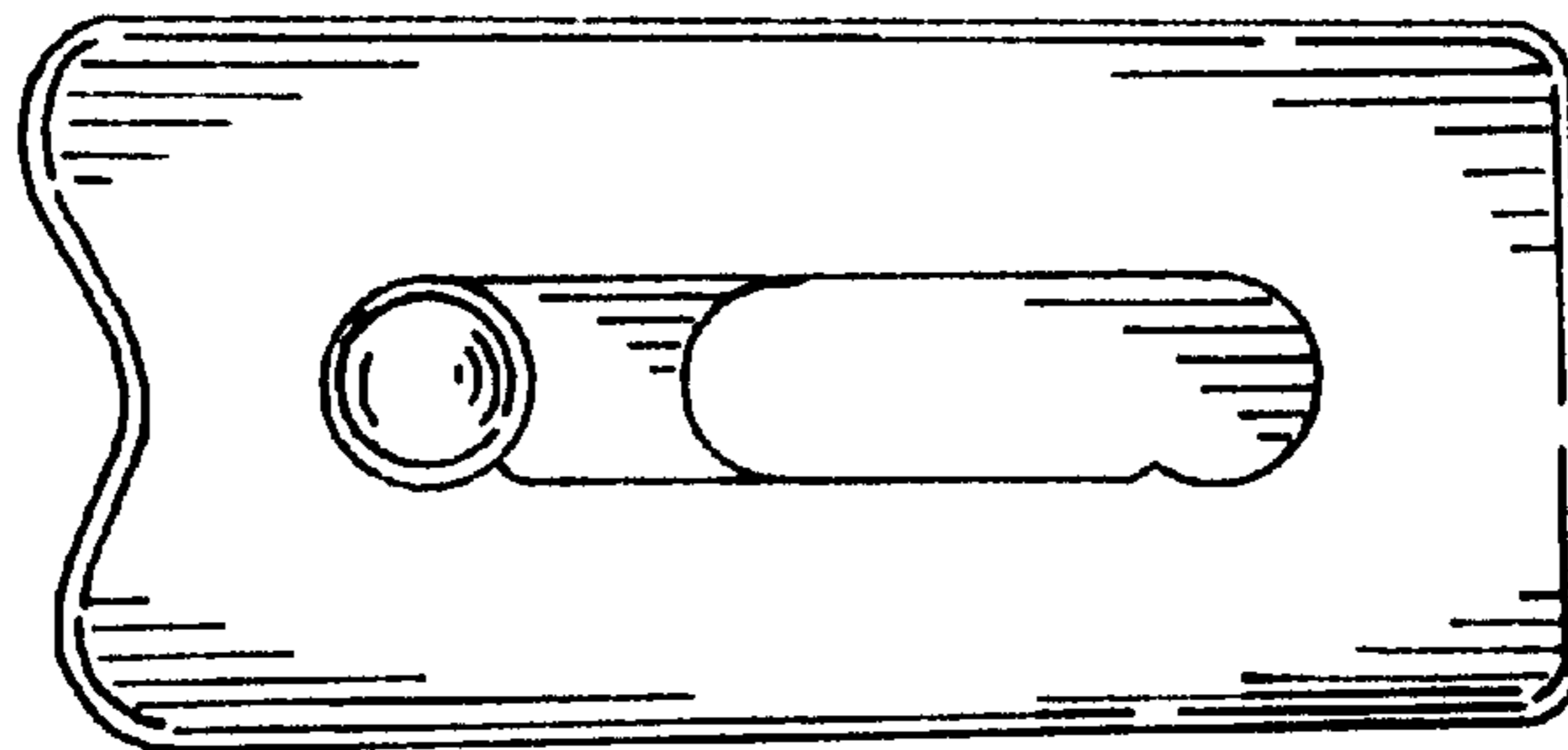


FIG. 4

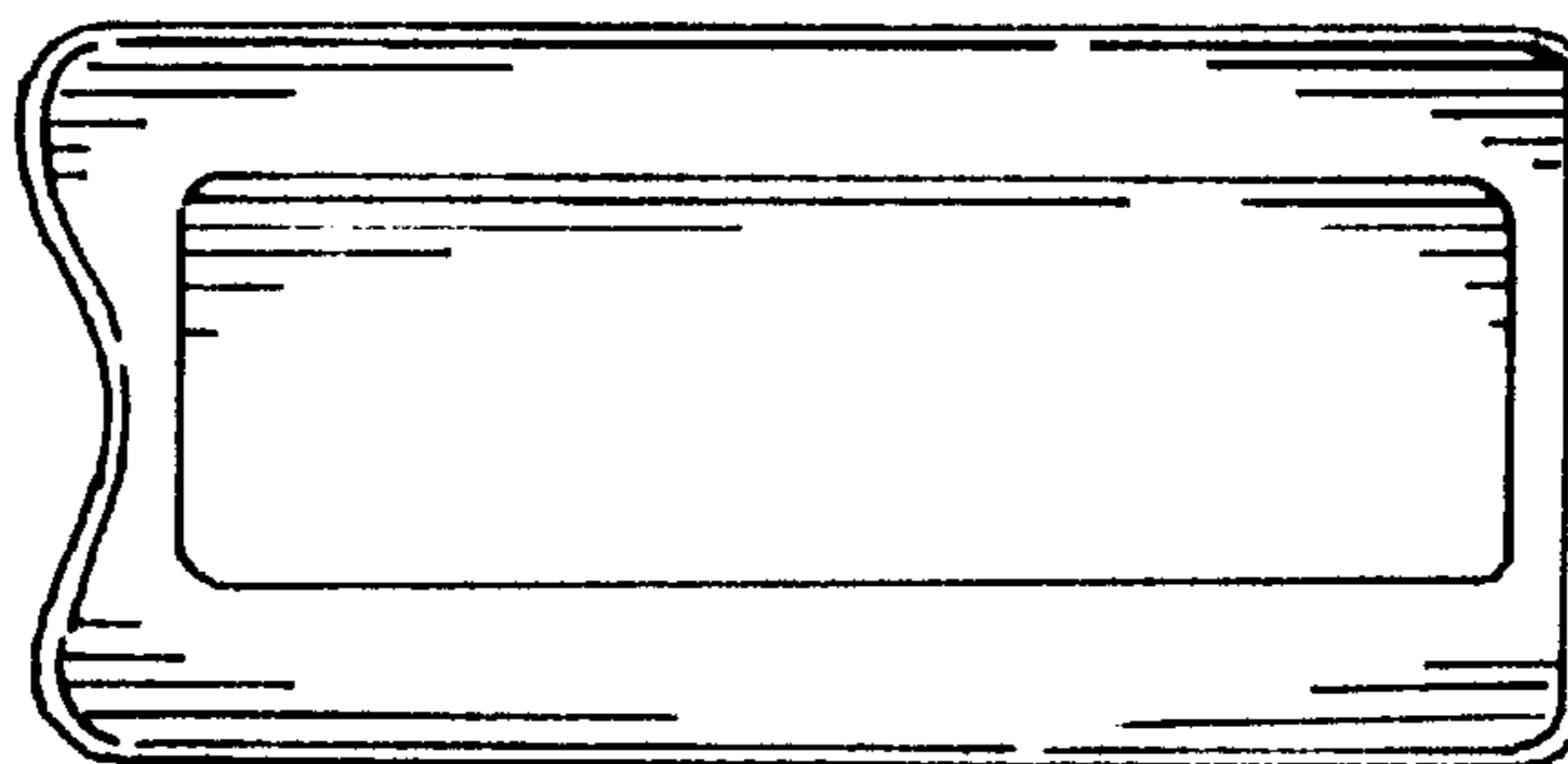


FIG. 5

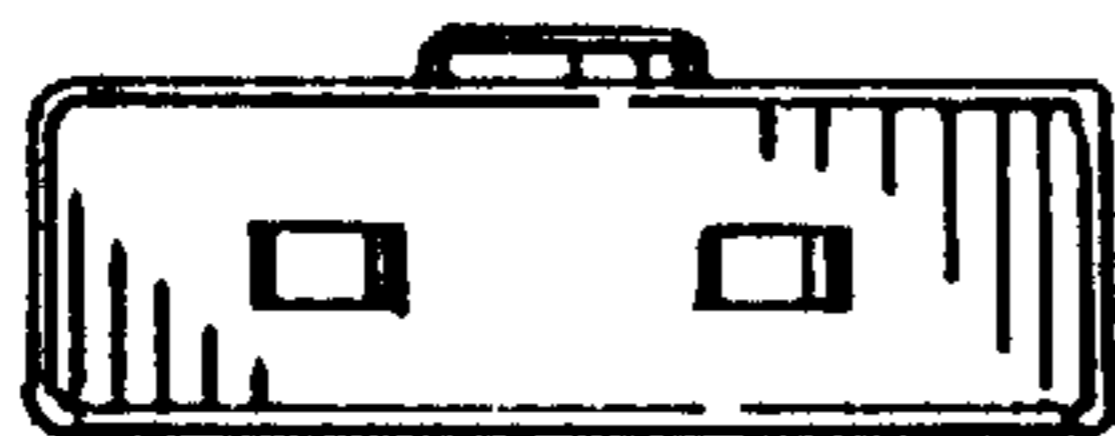


FIG. 6



FIG. 7

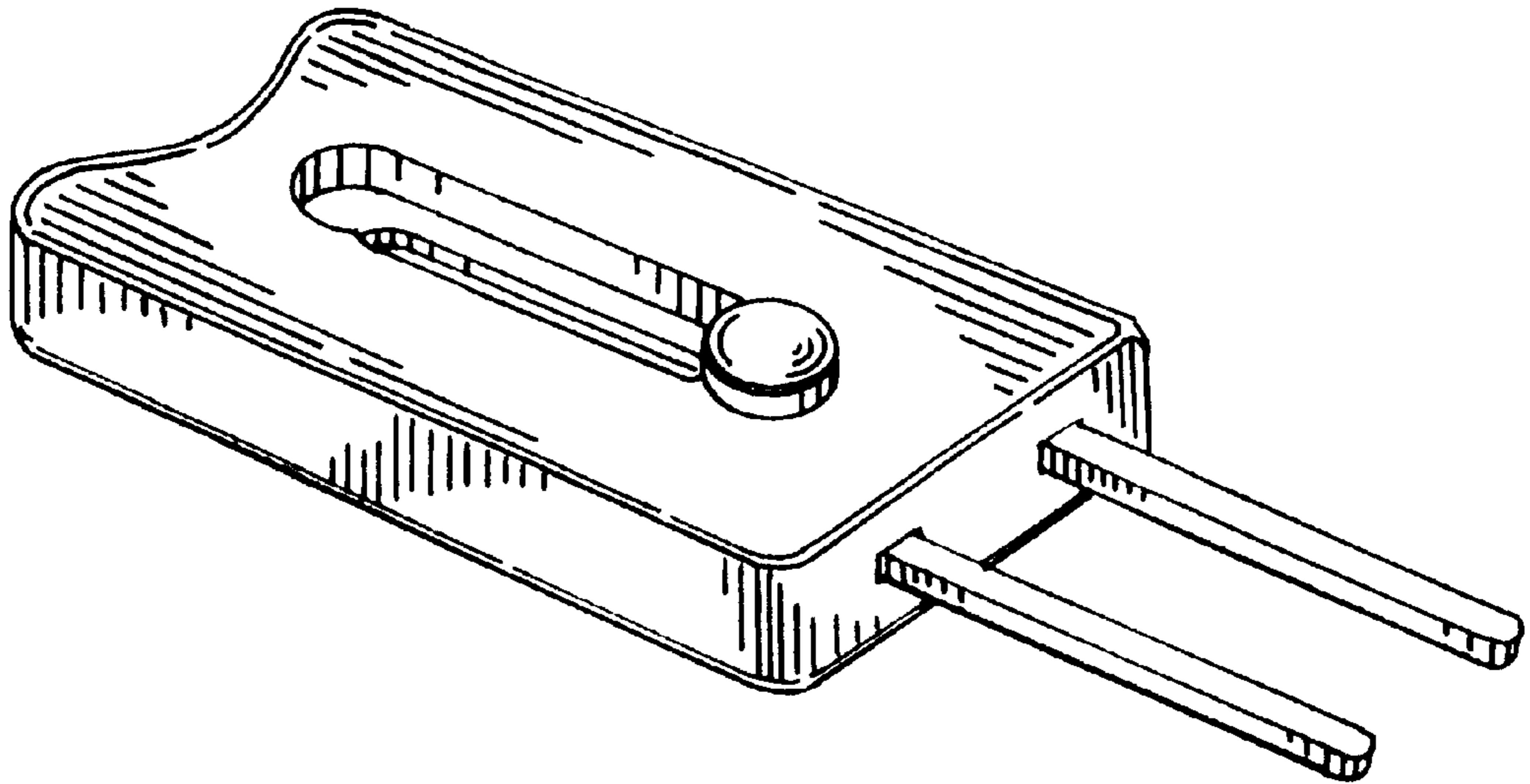


FIG. 8

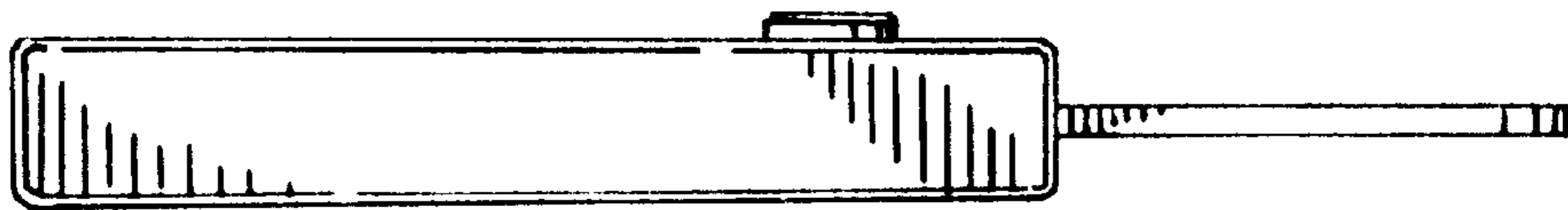


FIG. 9

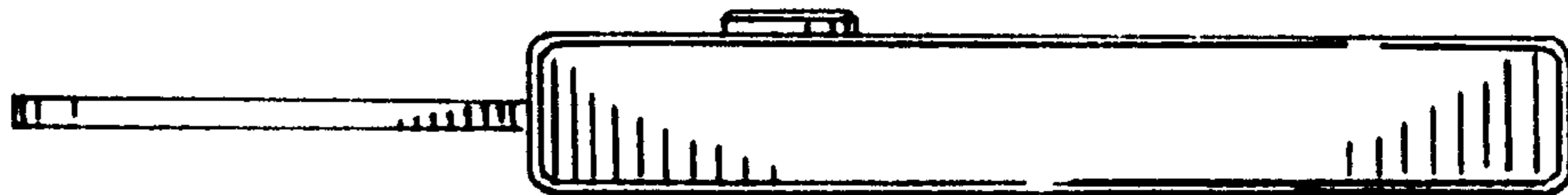


FIG. 10

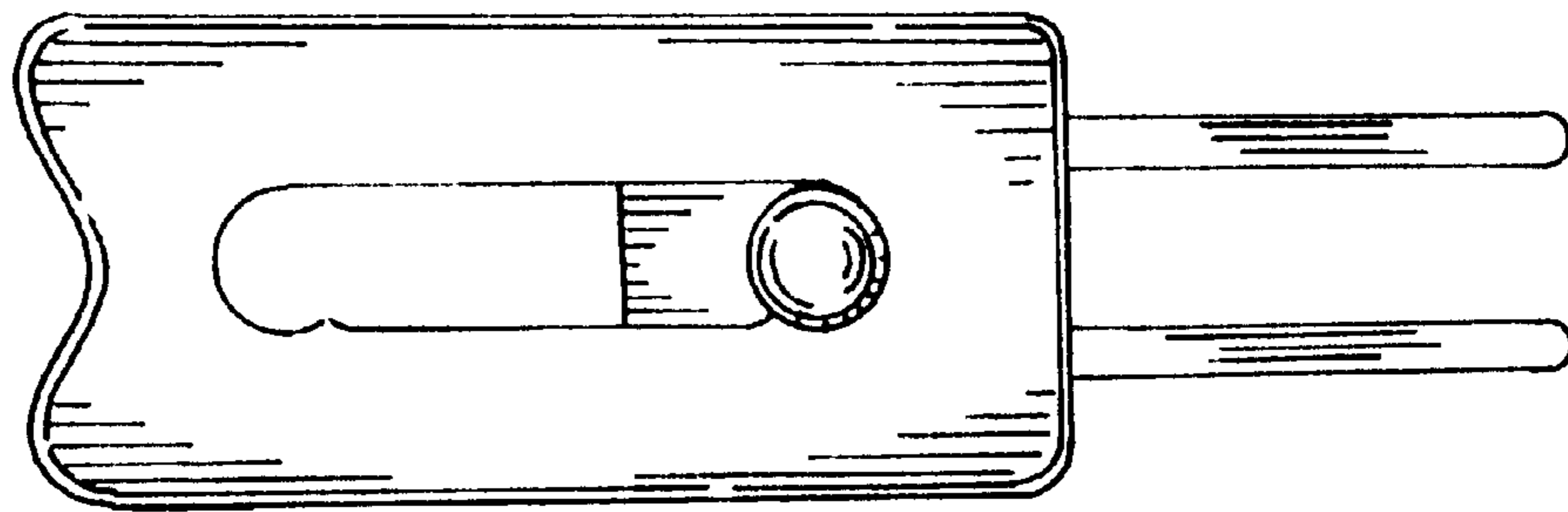


FIG. 11

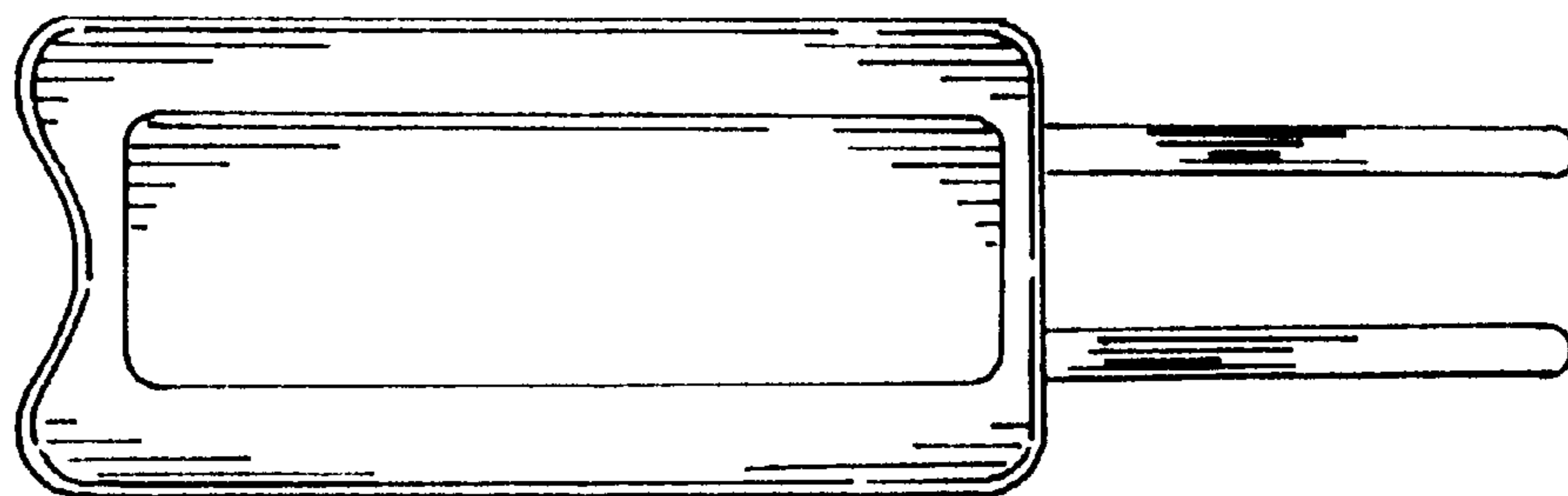


FIG. 12

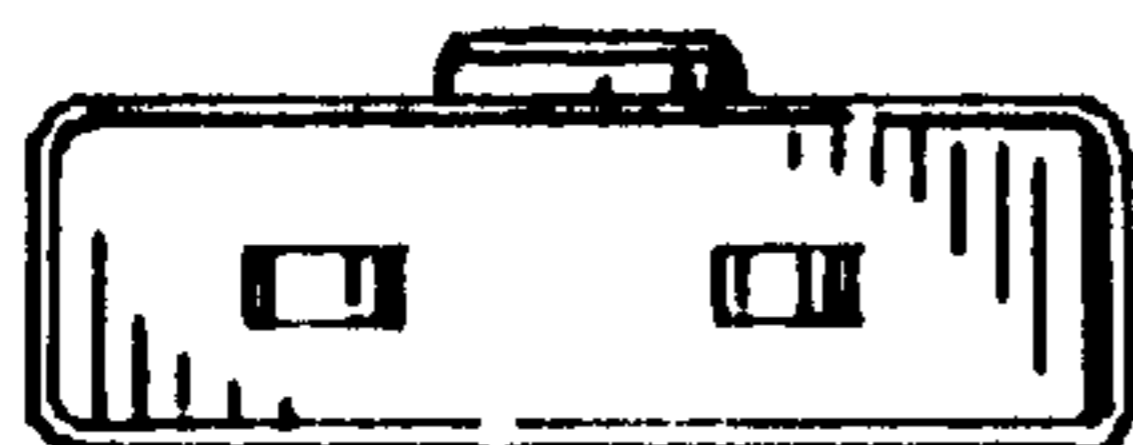


FIG. 13

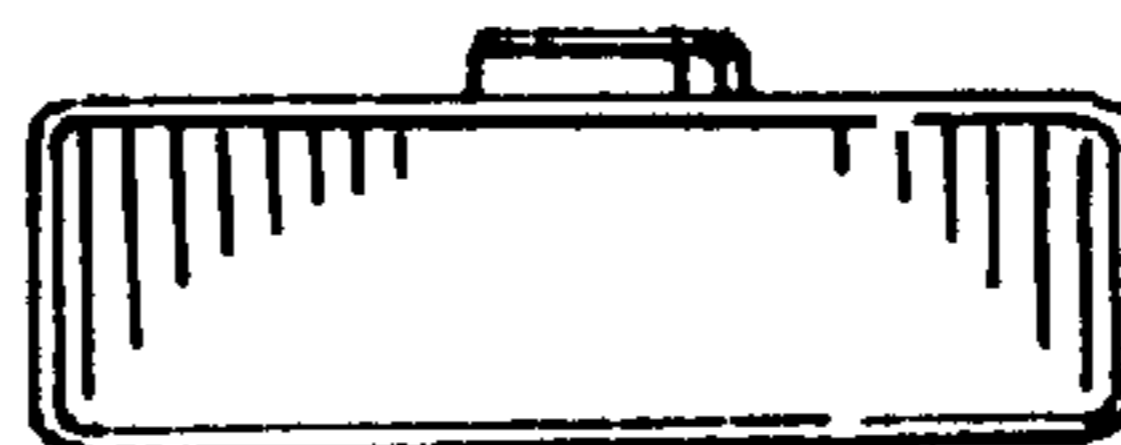


FIG. 14