



US00D425161S

**United States Patent** [19]  
**Kiniry et al.**

[11] **Patent Number: Des. 425,161**  
[45] **Date of Patent: \*\* May 16, 2000**

[54] **SNOWSHOE INSTEP PAD**

5,970,632 10/1999 Watson ..... 36/122

[75] Inventors: **Daniel P. Kiniry**, Stowe, Vt.; **Francis E. Mahoney**, Goffstown, N.H.

*Primary Examiner*—Kay H. Chin  
*Attorney, Agent, or Firm*—Ross, Ross & Flavin

[73] Assignee: **Tubbs Snowshoe Company, LLC**,  
Stowe, Vt.

[57] **CLAIM**

[\*\*] Term: **14 Years**

The ornamental design for a snowshoe instep pad, as shown and described.

[21] Appl. No.: **29/111,895**

**DESCRIPTION**

[22] Filed: **Oct. 7, 1999**

FIG. 1 is a top perspective view of a snowshoe instep pad embodying my design;

[51] **LOC (7) Cl.** ..... **21-02**

FIG. 2 is a bottom perspective view;

[52] **U.S. Cl.** ..... **D21/771; D21/768**

FIG. 3 is a side elevational view;

[58] **Field of Search** ..... D21/760, 768,  
D21/769, 771, 772, 773, 774; 36/122-125

FIG. 4 is a cross sectional view taken on line 4—4 of FIG. 1;

[56] **References Cited**

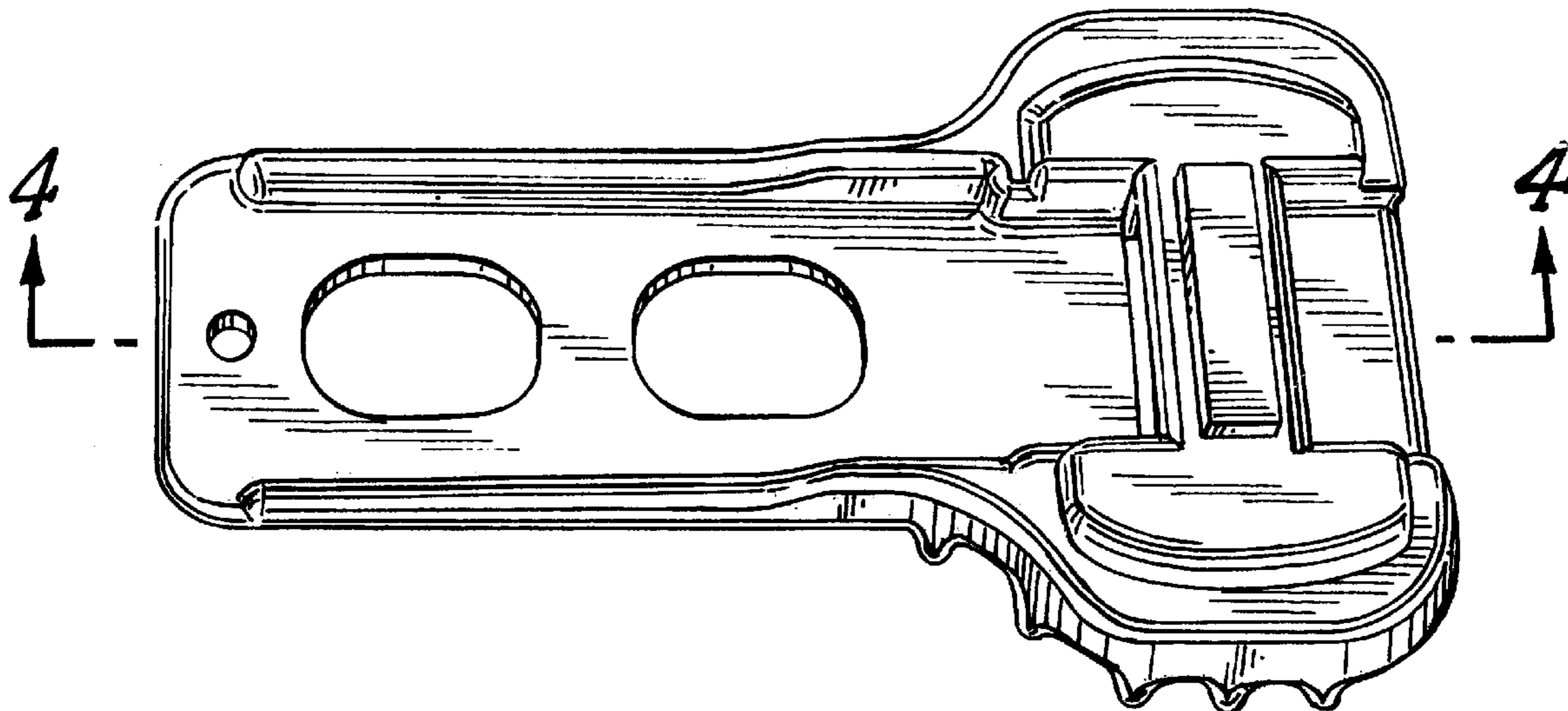
FIG. 5 is an end elevational view as seen from the left of FIG. 1; and,

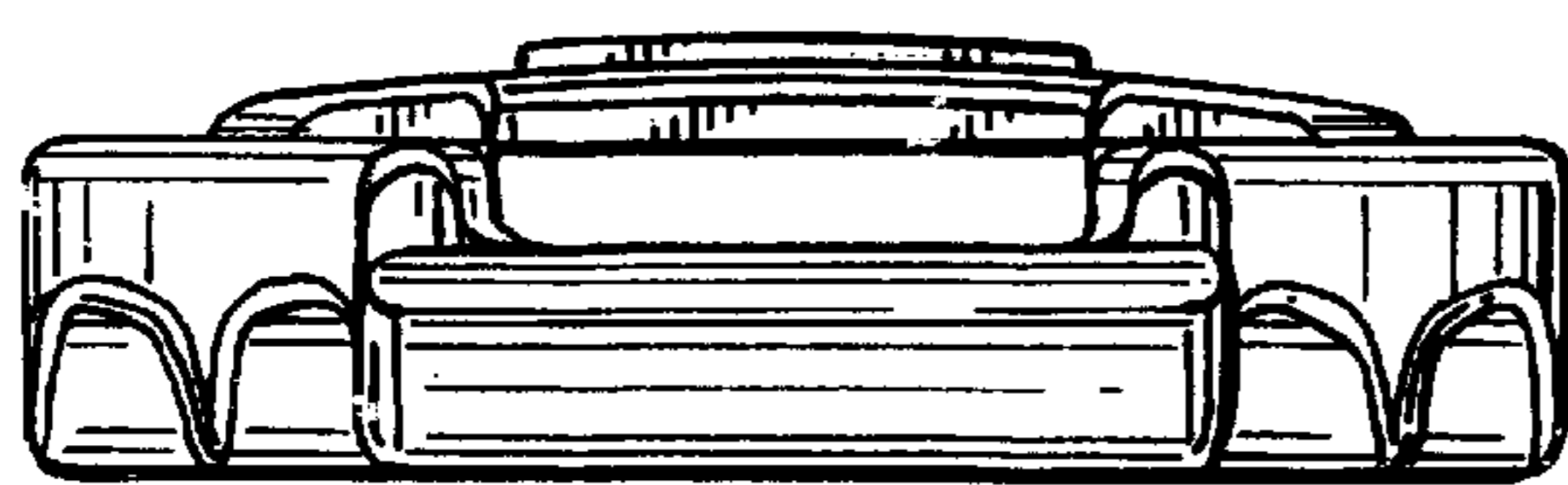
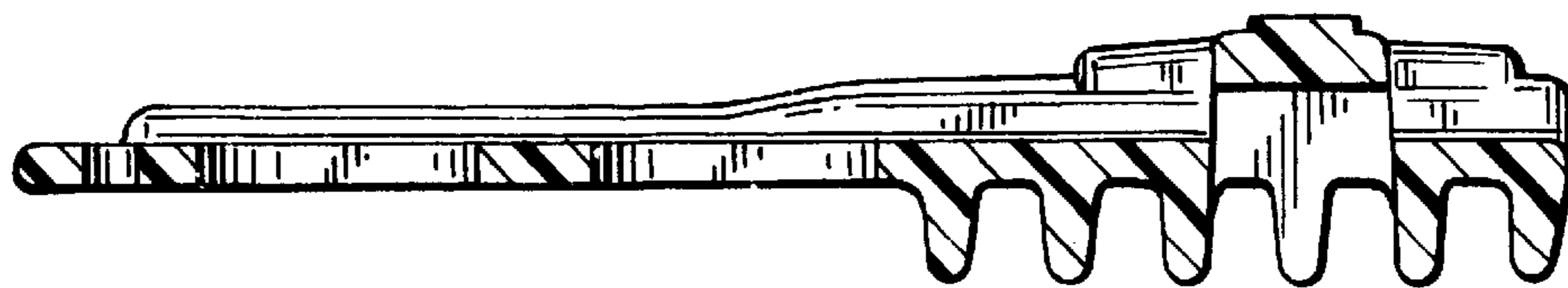
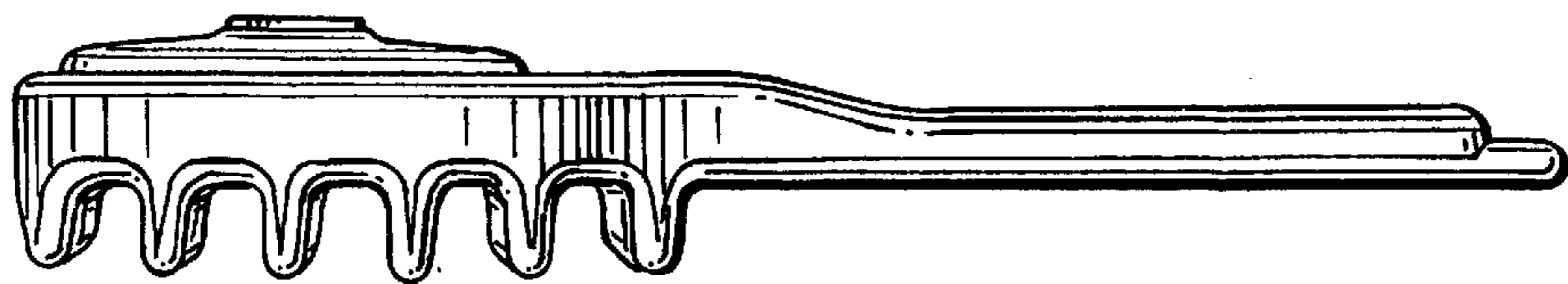
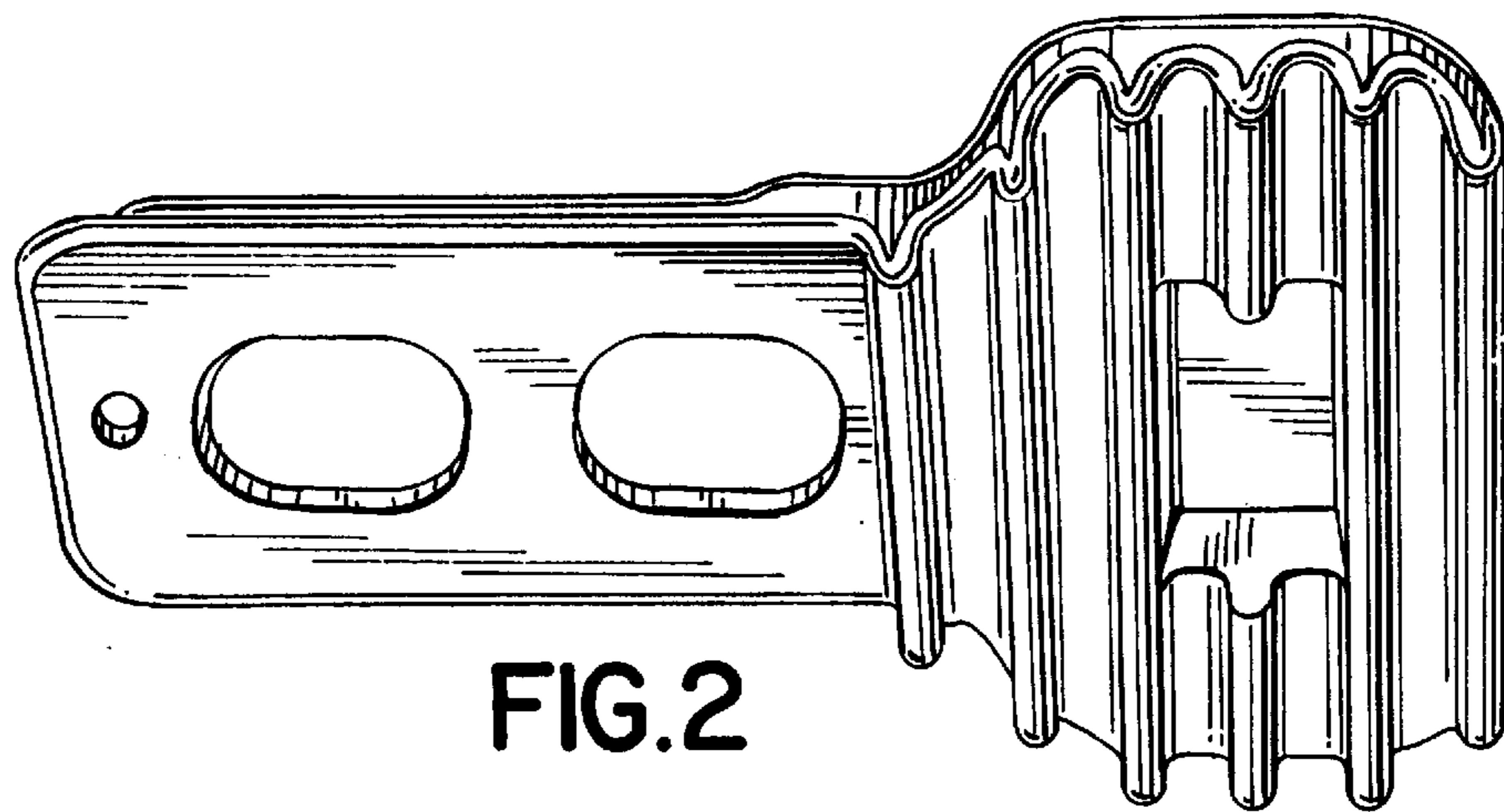
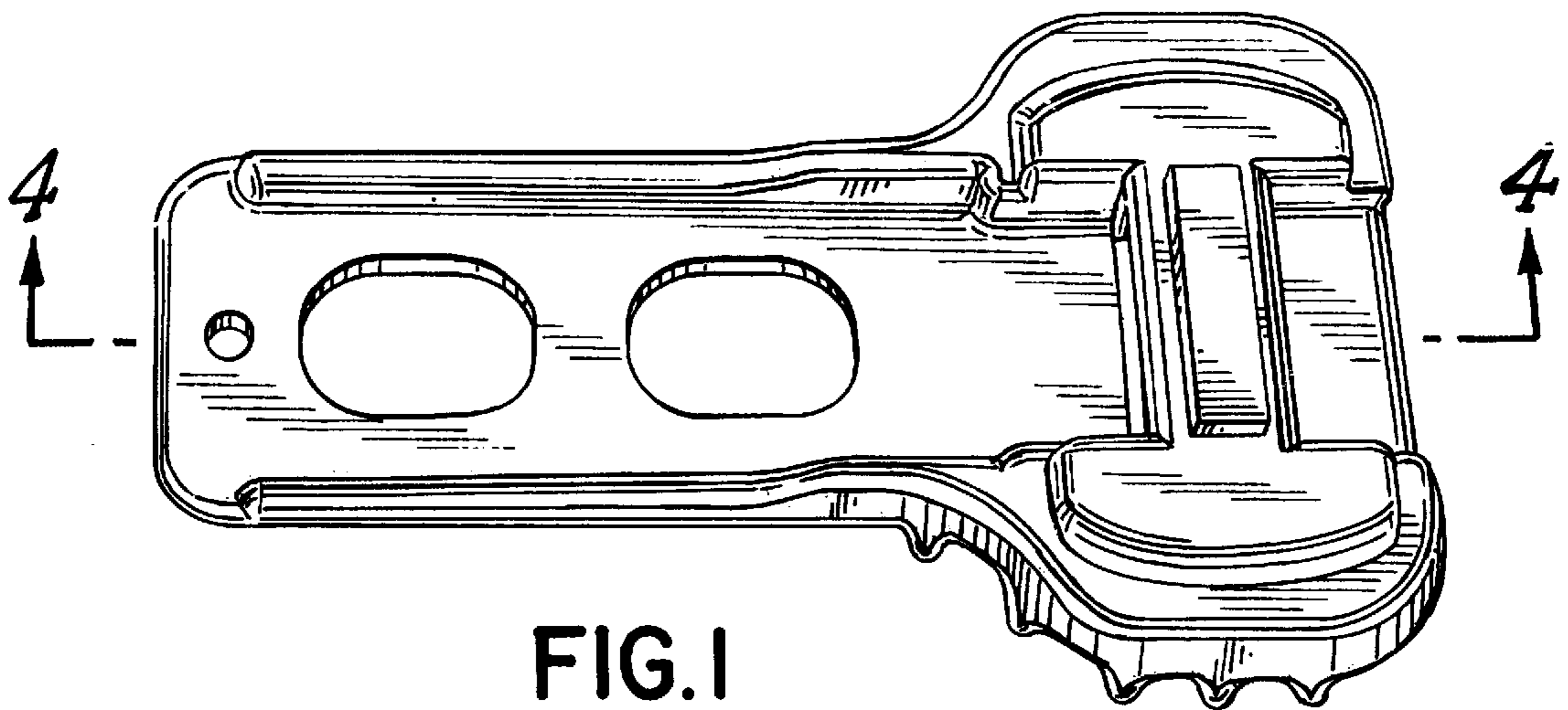
**U.S. PATENT DOCUMENTS**

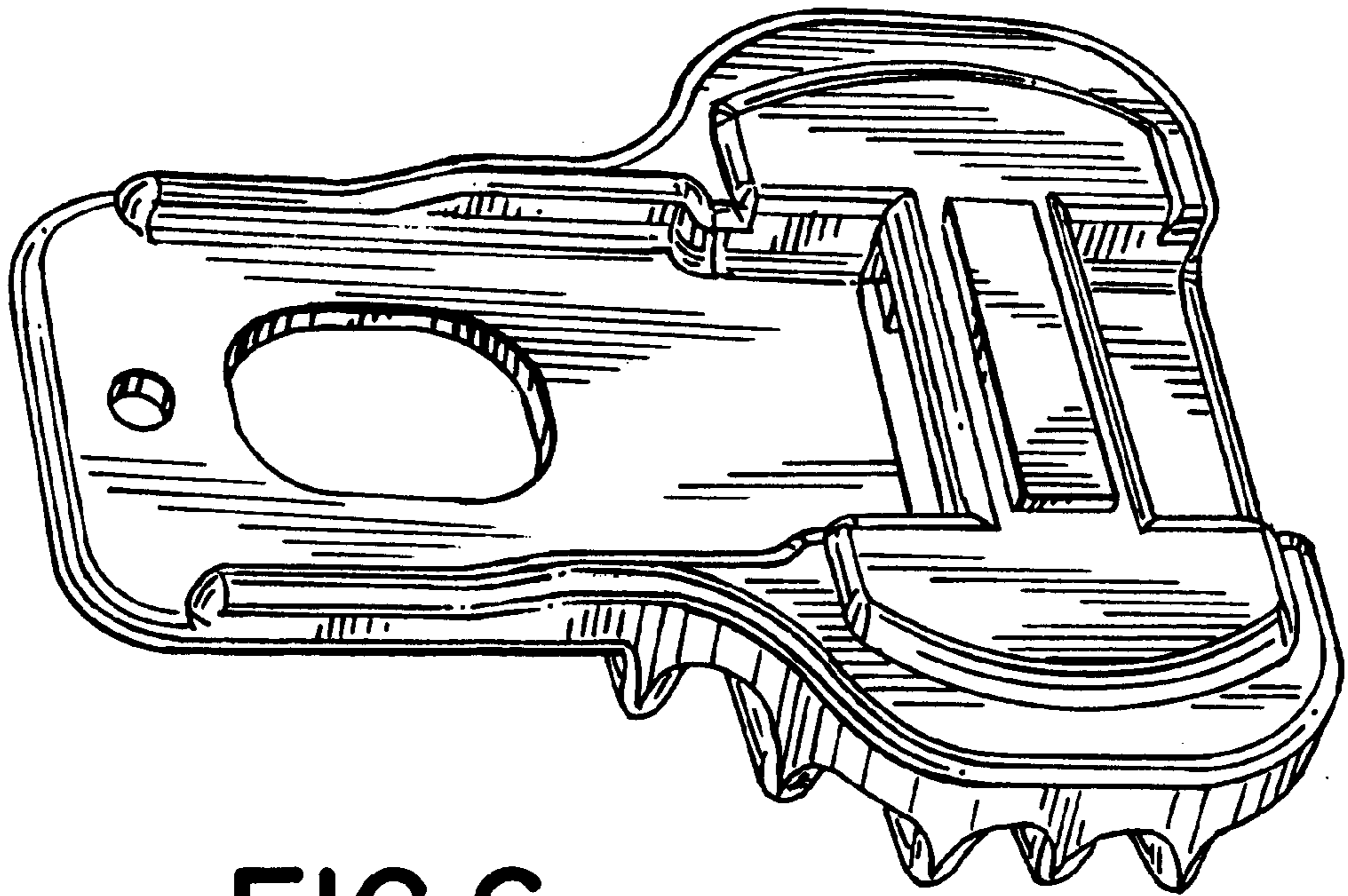
FIG. 6 is a top perspective view of a second embodiment of the snowshoe instep pad.

5,687,491 11/1997 Klebahn ..... 36/124  
5,787,612 8/1998 Mahoney et al. .... 36/124

**1 Claim, 2 Drawing Sheets**







**FIG.6**