



US00D425158S

# United States Patent [19]

[11] Patent Number: Des. 425,158

Long et al.

[45] Date of Patent: \*\* May 16, 2000

## [54] GOLF CLUB HEAD

## OTHER PUBLICATIONS

[75] Inventors: **D. Clayton Long**, Carlsbad; **Thomas L. Crow**, La Jolla, both of Calif.

Leyland Sports, Inc., 75—322,917, Jul. 11, 1997 (Pending Trademark).

[73] Assignee: **Cobra Golf Incorporated**, Carlsbad, Calif.

Pro Kennex, Inc., 2,029,383, Feb. 28, 1995 (Registered Trademark).

[\*\*] Term: **14 Years**

Callaway Golf Company, 1,922,181, Jan. 1, 1989 (Registered Trademark).

[21] Appl. No.: **29/099,787**

Callaway Golf Company, 1,918,108, Jan. 1, 1991 (Registered Trademark).

[22] Filed: **Jan. 28, 1999**

Callaway Golf Company, 1,947,849, Jan. 1992 (Registered Trademark).

[51] **LOC (7) Cl.** ..... **21-02**

[52] **U.S. Cl.** ..... **D21/752**

[58] **Field of Search** ..... D21/733, 752;  
473/324, 327—331, 345, 346

“Wilson Golf History Catalogs”, Edited by Jim Kaplan, Vintage Golf, Glencoe, IL., 1974, Cover page, pp. 5, 1931; 4, 1933; 6, 1938; 9, 1938; 2, 1941; 3, 1941; 3, 1948; 6, 1948; 1, 1954; 2, 1956; 3, 1957; 3, 1973; 5, 1973; 5, 1974; 4, 1974; 2—5, 1975; 1—2, 1976; 6, 1977; 1, 1978.

## [56] References Cited

Golf Week, Jan. 16, 1999, “Callaway’s Latest: Hawk Eye Metalwoods”, p. 3.

### U.S. PATENT DOCUMENTS

Golf World, Jan. 15, 1999, “Callaway Introduces New Titanium Woods”, p. 4.

- D. 93,862 11/1934 Barnhart .
- D. 94,549 2/1935 Jansky .
- D. 101,265 9/1936 Barnhart .
- D. 225,419 12/1972 Mills .
- D. 247,922 5/1978 Sheldon .

Golf Equipment Universal Catalogue, Feb. 1, 1998, ENA 1998 New Model, p. 358.

(List continued on next page.)

(List continued on next page.)

### FOREIGN PATENT DOCUMENTS

- 238646 5/1962 Australia .
- 844455 6/1970 Canada .
- 2-116389 5/1990 Japan .
- 5-103847 4/1993 Japan .
- 6-091020 4/1994 Japan .
- 7-185049 7/1995 Japan .
- 8-322970 12/1996 Japan .
- 9-28841 2/1997 Japan .
- 10-94623 4/1998 Japan .
- 10-99474 4/1998 Japan .
- 10-225538 8/1998 Japan .
- D. 1036791 4/1999 Japan .
- 11-178955 7/1999 Japan .
- 160030 3/1921 United Kingdom .
- 413024 7/1934 United Kingdom .
- 2 225 725 6/1990 United Kingdom .
- WO 94/06519 3/1994 WIPO .

*Primary Examiner*—Mitchell Siegel  
*Attorney, Agent, or Firm*—Pennie & Edmonds LLP

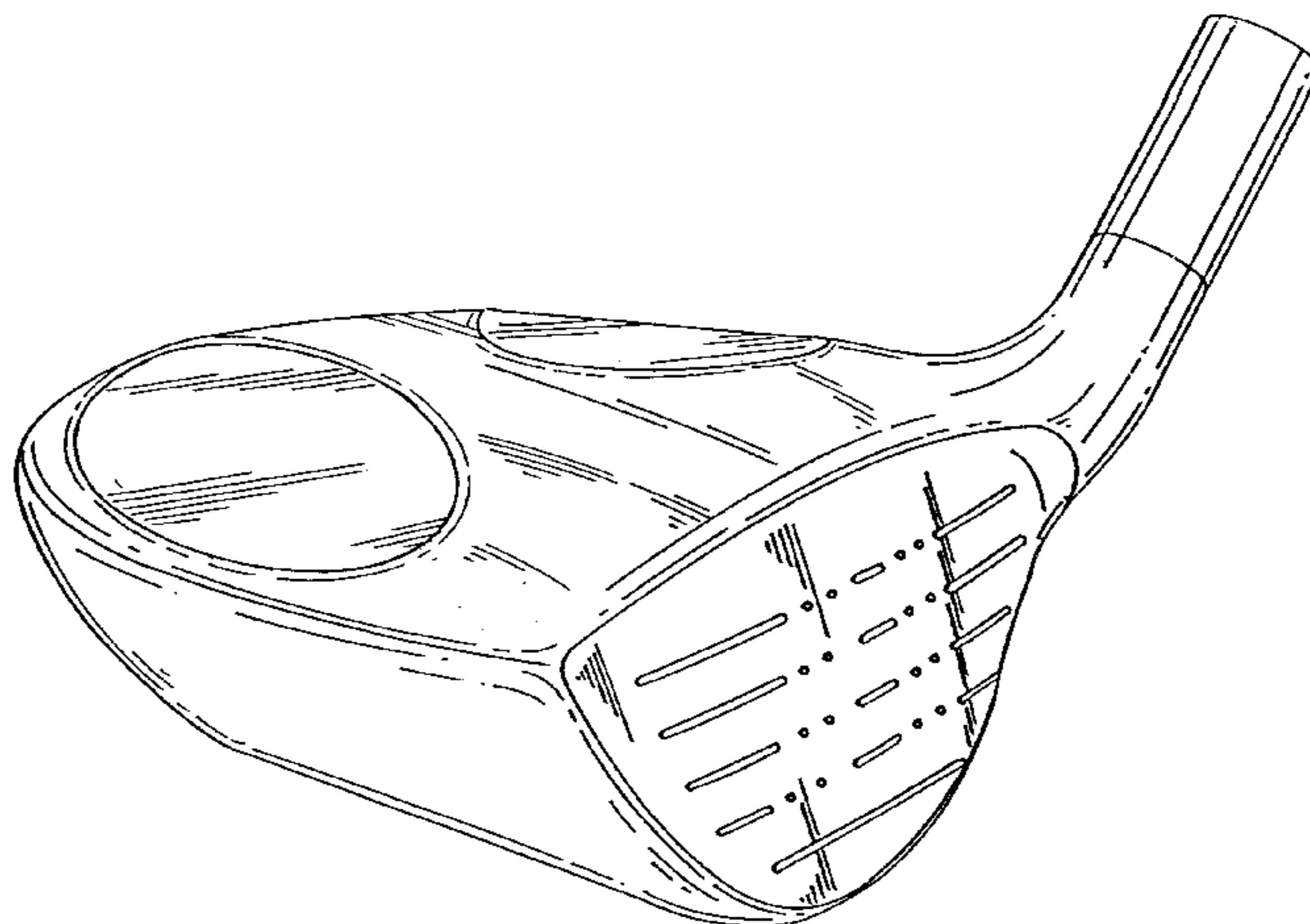
## [57] CLAIM

The ornamental design for a golf club head, as shown and described.

## DESCRIPTION

FIG. 1 is a front perspective view of the first embodiment of the golf club head of the new design;  
FIG. 2 is a front elevational view thereof;  
FIG. 3 is a rear perspective view thereof;  
FIG. 4 is a rear elevational view thereof;  
FIG. 5 is a heel-side elevational view thereof;  
FIG. 6 is a side toe-side elevational view thereof;  
FIG. 7 is a top view thereof; and,  
FIG. 8 is a bottom view thereof.

1 Claim, 4 Drawing Sheets



U.S. PATENT DOCUMENTS					
			645,944	3/1900	Dalgleish .
			656,099	8/1900	Dunn .
			690,996	1/1902	Ransom .
			727,819	5/1903	Mattern .
			734,065	7/1903	Heeren .
			739,458	9/1903	Travis .
			942,353	12/1909	Rigden .
			1,091,231	3/1914	Millar .
			1,096,359	5/1914	Dwight .
			1,167,106	1/1916	Palmer .
			1,203,250	10/1916	Ogilvie .
			1,283,568	11/1918	Sampson .
			1,289,192	12/1918	Klin .
			1,299,014	4/1919	O'Hara .
			1,319,233	10/1919	Mattern .
			1,322,182	11/1919	Duncan .
			1,336,671	4/1920	Backus .
			1,349,806	8/1920	Booth .
			1,361,258	12/1920	Horton .
			1,444,409	2/1923	Willmott .
			1,449,559	3/1923	Relle .
			1,452,695	4/1923	Mattern .
			1,452,845	4/1923	Pryde .
			1,455,256	5/1923	Kraeuter .
			1,459,810	6/1923	Wills .
			1,483,614	2/1924	Reach .
			1,497,578	6/1924	Mothersele .
			1,502,328	7/1924	Beat .
			1,504,326	8/1924	Cullinan .
			1,509,429	9/1924	Hillerich .
			1,526,438	2/1925	Scott .
			1,528,017	3/1925	Gammeter .
			1,549,993	8/1925	Klin .
			1,567,248	12/1925	Dahlman .
			1,567,323	12/1925	Jordan .
			1,588,617	6/1926	Rose .
			1,605,551	11/1926	Mattern .
			1,611,110	12/1926	East .
			1,619,566	3/1927	Crankshaw .
			1,659,273	2/1928	Link .
			1,659,274	2/1928	Link .
			1,669,482	5/1928	Miller .
			1,672,618	6/1928	Link .
			1,680,881	8/1928	Heeter et al. .
			1,780,625	11/1930	Mattern .
			1,840,924	1/1932	Tucker .
			1,868,286	7/1932	Grieve .
			1,910,055	5/1933	Reach .
			1,916,792	7/1933	Hadden .
			1,942,434	1/1934	Link .
			1,946,208	2/1934	Hampton .
			1,968,092	7/1934	Oldham .
			2,041,676	5/1936	Gallagher .
			2,201,638	5/1940	Theibault, Sr. .
			3,064,980	11/1962	Steiner .
			3,068,011	12/1962	Sano .
			3,212,783	10/1965	Bradley et al. .
			3,220,733	11/1965	Saleeby .
			3,759,517	9/1973	Mills .
			3,761,095	9/1973	Thompson .
			3,815,921	6/1974	Turner .
			3,819,181	6/1974	Mills .
			3,941,390	3/1976	Hussey .
			4,076,254	2/1978	Nygren .
			4,214,754	7/1980	Zebelean .
			4,313,607	2/1982	Thompson .
			4,325,550	4/1982	Thompson et al. .
			4,332,388	6/1982	Crow .
			4,432,549	2/1984	Zebelean .
			4,451,042	5/1984	Hayashi et al. .
			4,465,221	8/1984	Schmidt .
			4,545,580	10/1985	Tomita et al. .
D. 277,221	1/1985	Kobayashi .			
D. 307,783	5/1990	Iinuma .			
D. 318,087	7/1991	Helmstetter .			
D. 336,758	6/1993	Jossey .			
D. 339,395	9/1993	Cameron .			
D. 343,434	1/1994	Helmstetter et al. .			
D. 343,665	1/1994	Feche et al. .			
D. 344,117	2/1994	Helmstetter et al. .			
D. 344,561	2/1994	Gorman .			
D. 344,998	3/1994	Greene .			
D. 345,191	3/1994	Iinuma et al. .			
D. 345,403	3/1994	Sanchez .			
D. 350,176	8/1994	Antonious .			
D. 351,441	10/1994	Iinuma et al. .			
D. 351,442	10/1994	Asabuki et al. .			
D. 352,538	11/1994	Williams, Jr. .			
D. 352,983	11/1994	Williams, Jr. .			
D. 352,984	11/1994	Helmstetter et al. .			
D. 354,784	1/1995	Long et al. .			
D. 355,686	2/1995	Hlinka .			
D. 356,843	3/1995	Schmidt et al. .			
D. 357,290	4/1995	Viollaz et al. .			
D. 361,356	8/1995	Feche et al. .			
D. 363,517	10/1995	Lin .			
D. 363,750	10/1995	Reed .			
D. 363,961	11/1995	Krzynowek et al. .			
D. 364,204	11/1995	Lin .			
D. 364,906	12/1995	Schmidt et al. .			
D. 365,129	12/1995	Guibaud et al. .			
D. 365,614	12/1995	Su .			
D. 366,080	1/1996	Chou et al. .			
D. 366,508	1/1996	Hutin .			
D. 367,094	2/1996	Williams, Jr. .			
D. 367,748	3/1996	Lugash .			
D. 371,589	7/1996	Fortini .			
D. 372,512	8/1996	Simmons .			
D. 372,753	8/1996	Williams .			
D. 373,164	8/1996	Wang .			
D. 374,899	10/1996	Mahaffey .			
D. 375,535	11/1996	Gorman .			
D. 375,987	11/1996	Lin .			
D. 377,674	1/1997	Schmidt et al. .			
D. 379,390	5/1997	Watanabe et al. .			
D. 379,391	5/1997	Moore .			
D. 379,485	5/1997	Ragano .			
D. 383,181	9/1997	Gorman .			
D. 383,511	9/1997	Lo et al. .			
D. 383,818	9/1997	Williams, Jr. .			
D. 384,383	9/1997	Takahashi et al. .			
D. 385,607	10/1997	Adams .			
D. 388,483	12/1997	Mahaffey et al. .			
D. 389,885	1/1998	Mahaffey et al. .			
D. 389,886	1/1998	Kulchar et al. .			
D. 393,500	4/1998	Mahaffey et al. .			
D. 394,687	5/1998	Mahaffey et al. .			
D. 396,512	7/1998	Besnard et al. .			
D. 396,513	7/1998	Rollinson et al. .			
D. 397,748	9/1998	Moore .			
D. 397,749	9/1998	Burrows .			
D. 398,681	9/1998	Galy .			
D. 398,682	9/1998	Moore .			
D. 399,289	10/1998	Sheets et al. .			
D. 399,898	10/1998	Stone et al. .			
D. 400,623	11/1998	Cesario .			
D. 401,989	12/1998	Sheets et al. .			
D. 402,339	12/1998	Sheets et al. .			
D. 402,340	12/1998	Sheets et al. .			
D. 402,341	12/1998	Hamm .			
D. 406,295	3/1999	Long .			
632,885	9/1899	Sweny .			

4,756,534	7/1988	Thompson .	5,470,068	11/1995	Schmidt et al. .
4,811,950	3/1989	Kobayashi .	5,470,069	11/1995	Schmidt et al. .
4,824,110	4/1989	Kobayashi .	5,474,296	12/1995	Schmidt et al. .
4,852,880	8/1989	Kobayashi .	5,480,152	1/1996	Schmidt et al. .
4,872,685	10/1989	Sun .	5,482,279	1/1996	Antonious .
5,028,049	7/1991	McKeighen .	5,482,280	1/1996	Yamawaki .
5,042,806	8/1991	Helmstetter .	5,484,155	1/1996	Yamawaki et al. .
5,056,705	10/1991	Wakita et al. .	5,485,998	1/1996	Kobayashi .
5,067,715	11/1991	Schmidt et al. .	5,497,995	3/1996	Swisshelm .
5,090,702	2/1992	Viste .	5,516,106	5/1996	Henwood .
5,092,599	3/1992	Okumoto et al. .	5,516,107	5/1996	Okumoto et al. .
5,100,144	3/1992	Okumoto et al. .	5,518,243	5/1996	Redman .
5,163,682	11/1992	Schmidt et al. .	5,547,188	8/1996	Dumontier et al. .
5,171,621	12/1992	Desbiolles et al. .	5,547,427	8/1996	Rigal et al. .
5,180,166	1/1993	Schmidt et al. .	5,570,886	11/1996	Rigal et al. .
5,193,811	3/1993	Okumoto et al. .	5,573,469	11/1996	Dekura .
5,228,615	7/1993	Iijima et al. .	5,577,550	11/1996	Schmidt .
5,240,252	8/1993	Schmidt et al. .	5,582,553	12/1996	Ashcraft et al. .
5,257,786	11/1993	Gorman .	5,611,741	3/1997	Schmidt .
5,272,802	12/1993	Stites, III .	5,643,104	7/1997	Antonious .
5,282,624	2/1994	Viste .	5,643,107	7/1997	Gorman .
5,288,079	2/1994	Katayama .	5,645,495	7/1997	Saso .
5,294,037	3/1994	Schmidt .	5,669,827	9/1997	Nagamoto .
5,299,807	4/1994	Hutin .	5,669,828	9/1997	Schmidt .
5,301,945	4/1994	Schmidt et al. .	5,697,853	12/1997	Schmidt et al. .
5,306,450	4/1994	Okumoto et al. .	5,709,617	1/1998	Nishimura et al. .
5,310,185	5/1994	Viollaz et al. .	5,720,674	2/1998	Galy .
5,310,186	5/1994	Karsten .	5,735,754	4/1998	Antonious .
5,314,185	5/1994	Gorman .	5,755,624	5/1998	Helmstetter .
5,316,298	5/1994	Hutin et al. .	5,762,567	6/1998	Antonious .
5,318,300	6/1994	Manning .	5,779,565	7/1998	Adams .
5,354,055	10/1994	MacKeil .	5,785,605	7/1998	Helmstetter .
5,377,986	1/1995	Viollaz et al. .	5,785,609	7/1998	Sheets et al. .
5,397,127	3/1995	Kawada et al. .	5,797,807	8/1998	Moore .
5,398,935	3/1995	Katayama .	5,851,159	12/1998	Burrows .
5,405,137	4/1995	Vincent et al. .	5,851,160	12/1998	Rugge et al. .
5,415,405	5/1995	Vincent .			
5,421,577	6/1995	Kobayashi .			
5,425,538	6/1995	Vincent et al. .			
5,429,358	7/1995	Rigal et al. .			
5,441,263	8/1995	Gorman .			
5,447,309	9/1995	Vincent .			
5,451,056	9/1995	Manning .			
5,456,469	10/1995	MacDougall .			
5,460,376	10/1995	Schmidt et al. .			
5,465,970	11/1995	Adams et al. .			
5,467,988	11/1995	Henwood .			

## OTHER PUBLICATIONS

Golf World, Apr. 4, 1972, "Arrowhead Custom Golf, Inc." Ad, p. 30.

"Comprehensive Catalogue of Golf Related Products—1984 Edition"; pp. 280, 350, 393, 415, 450, 474, 501, 503, 505, 563, 595, and 596; published Mar. 1, 1984 in Chiyoda-ku, Tokyo.

"UT Golf —Clubmaking Catalogue—The Art of Clubmaking"; 1994; front cover; pp. 9 and 32.

FIG. 1

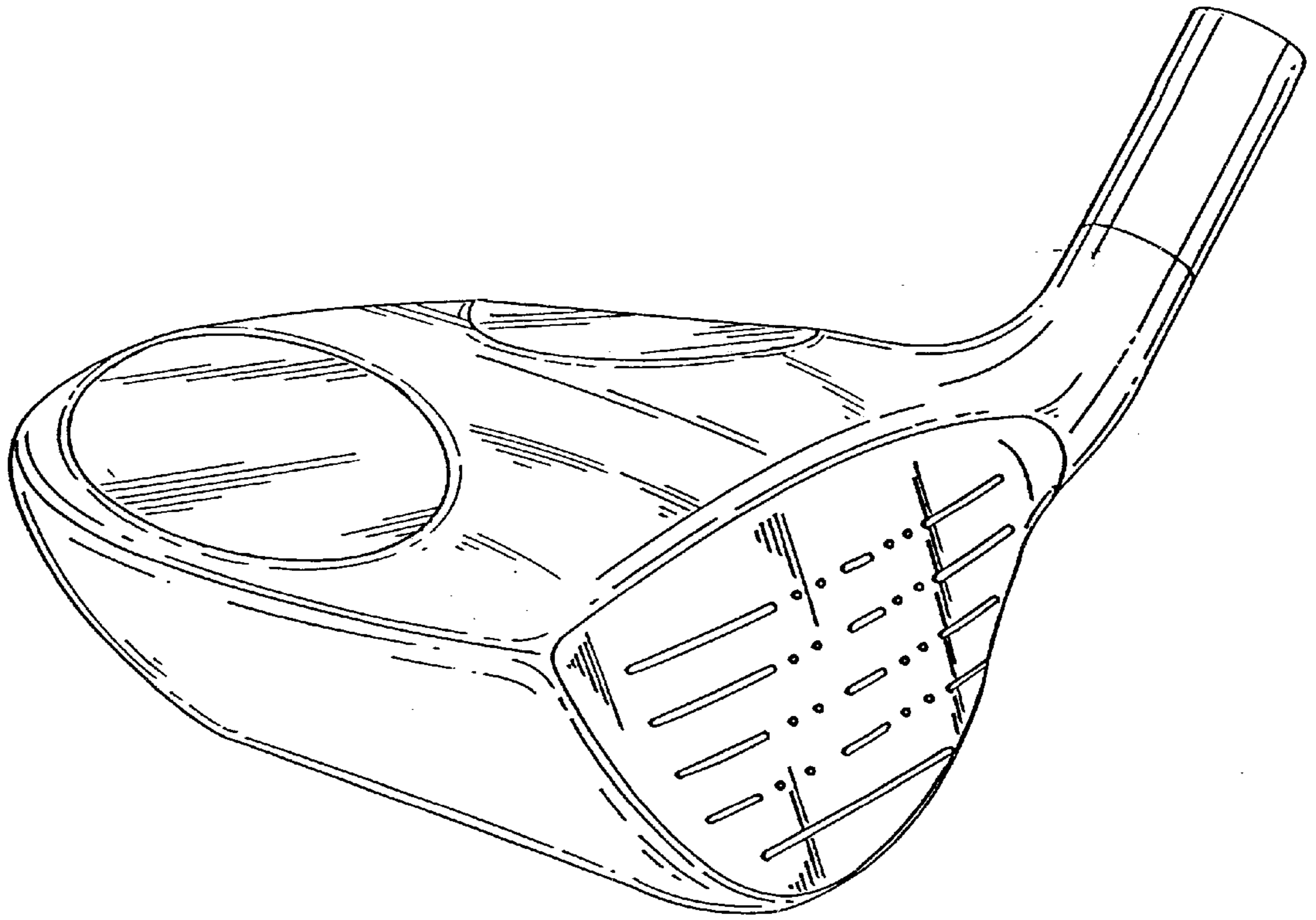


FIG. 2

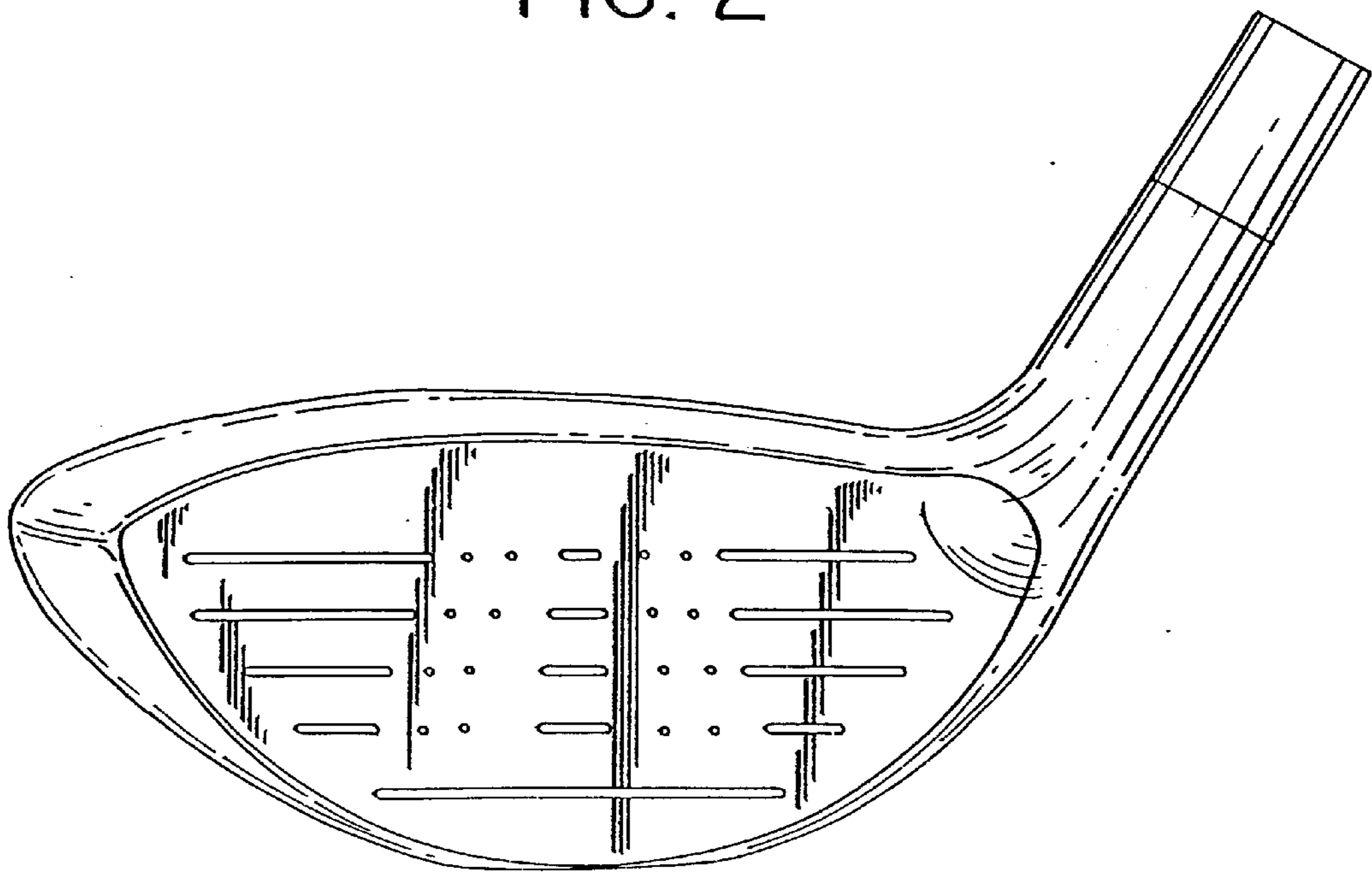


FIG. 3

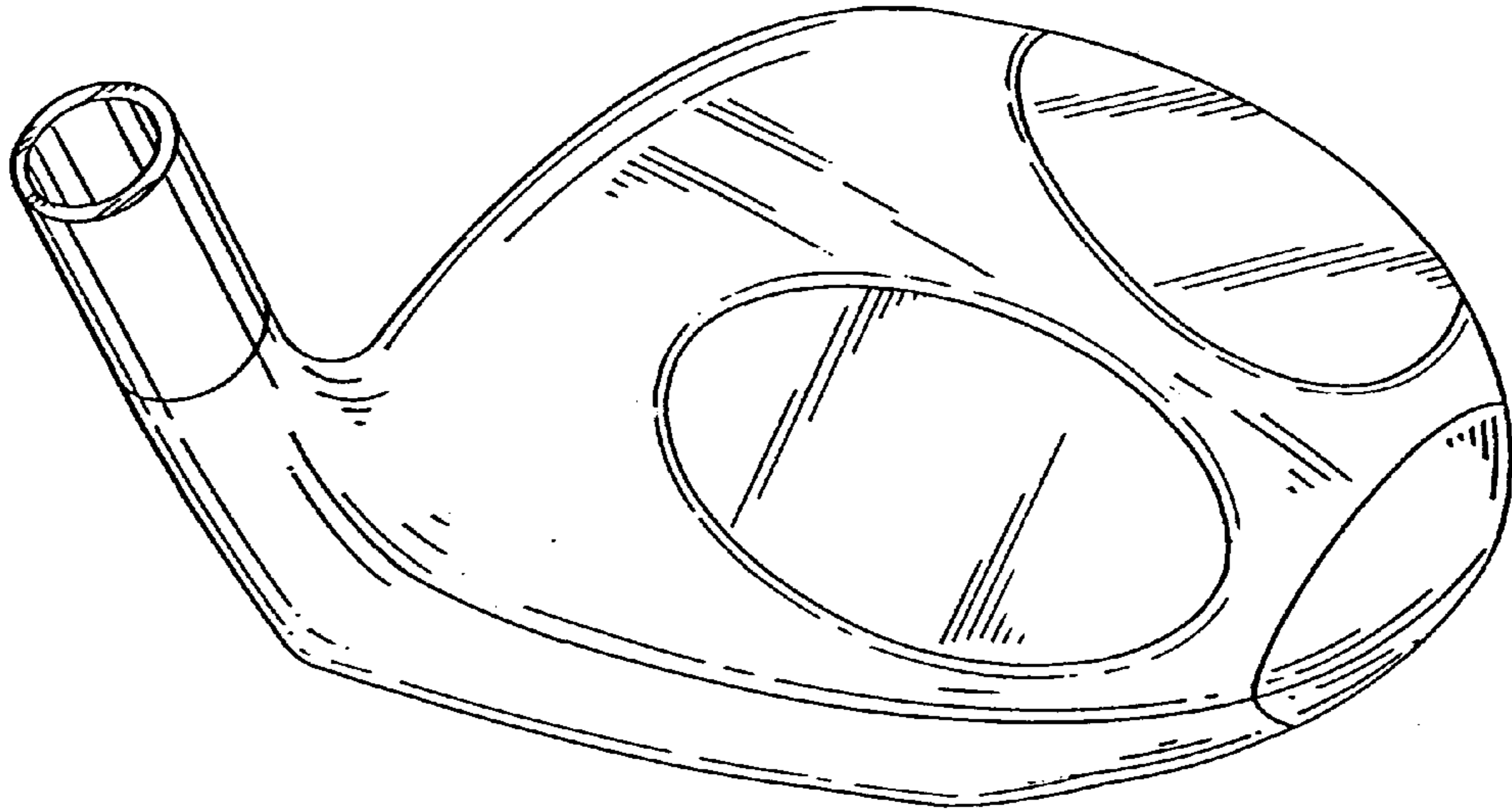


FIG. 4

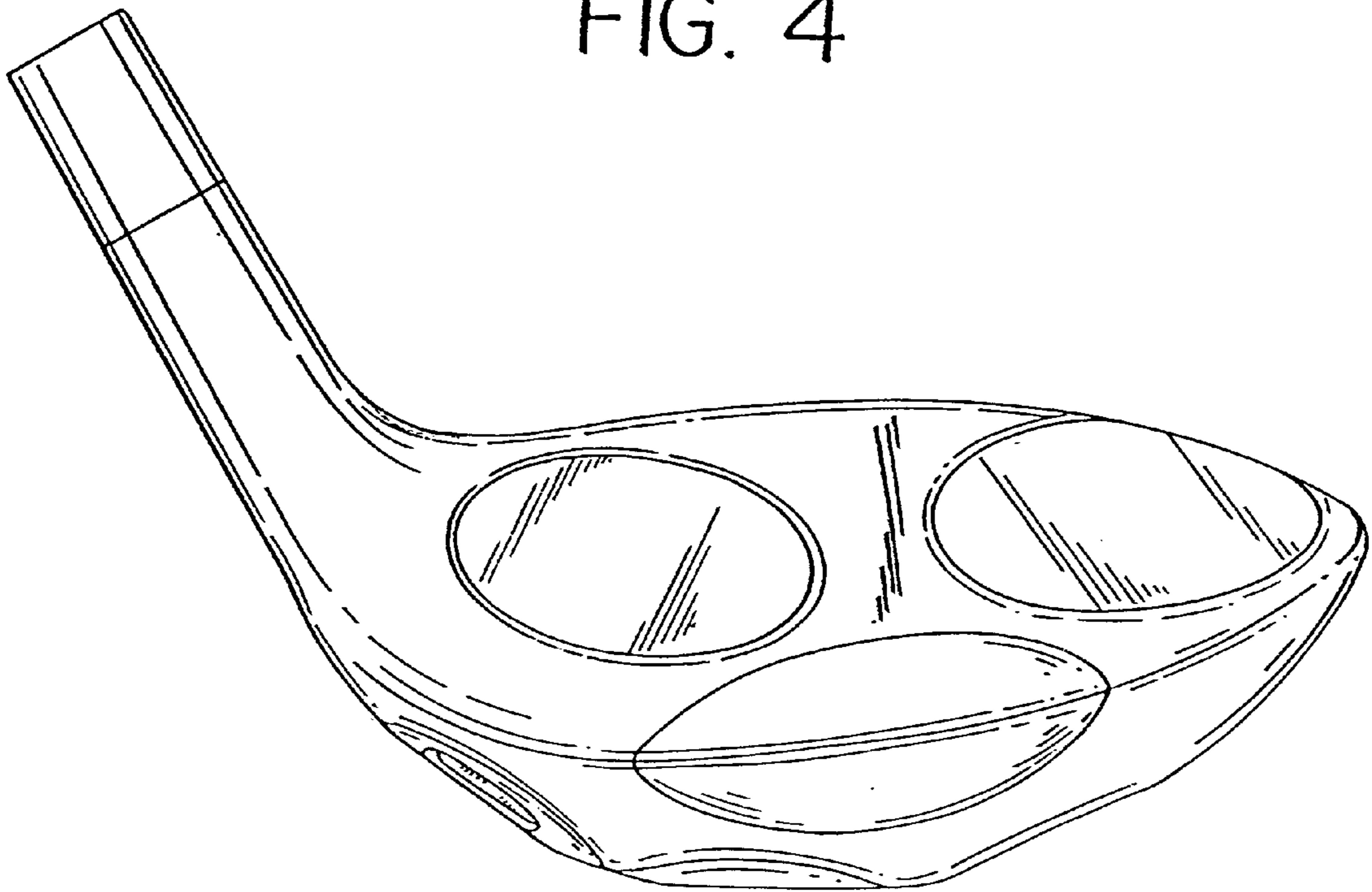


FIG. 5

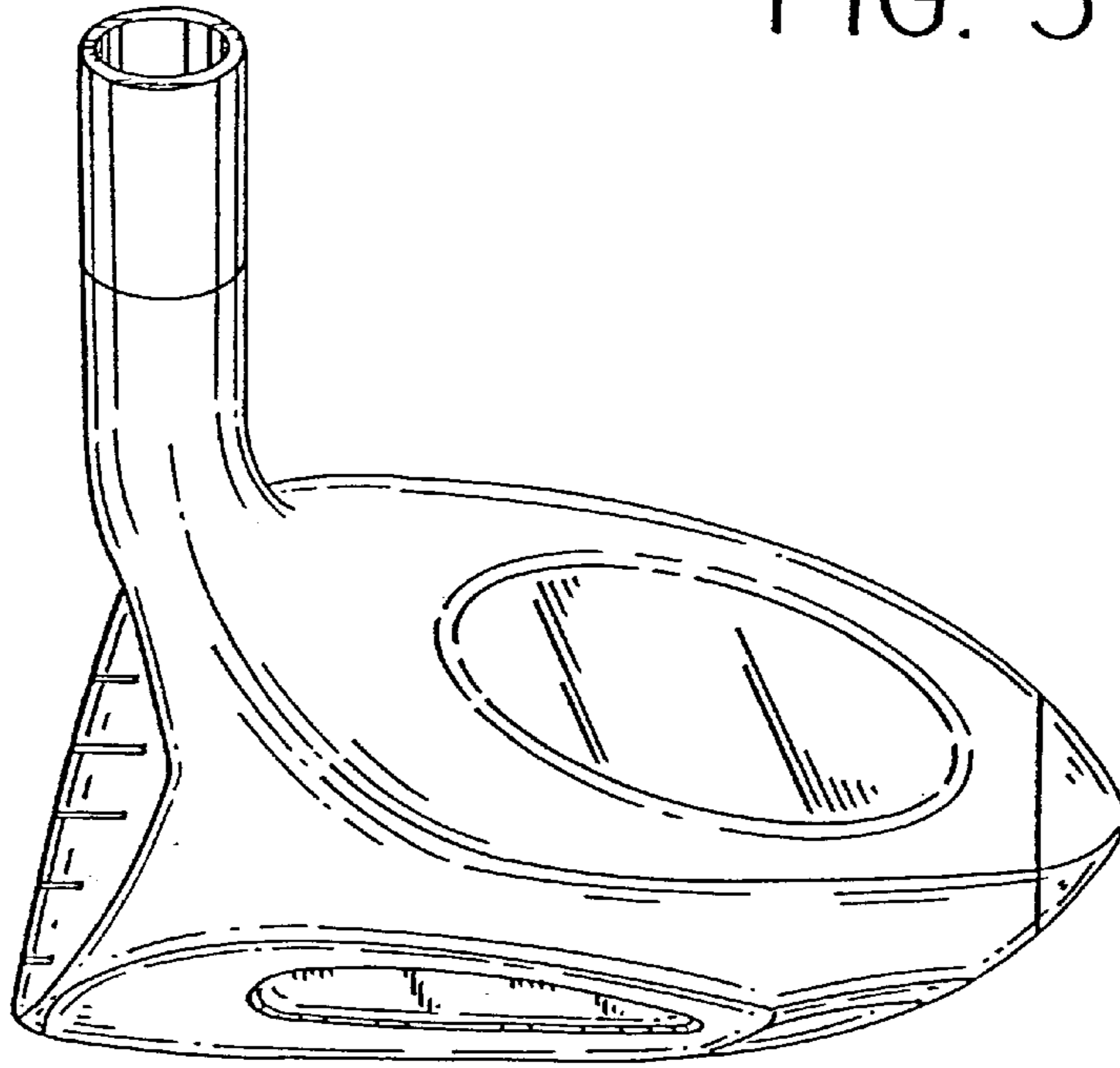
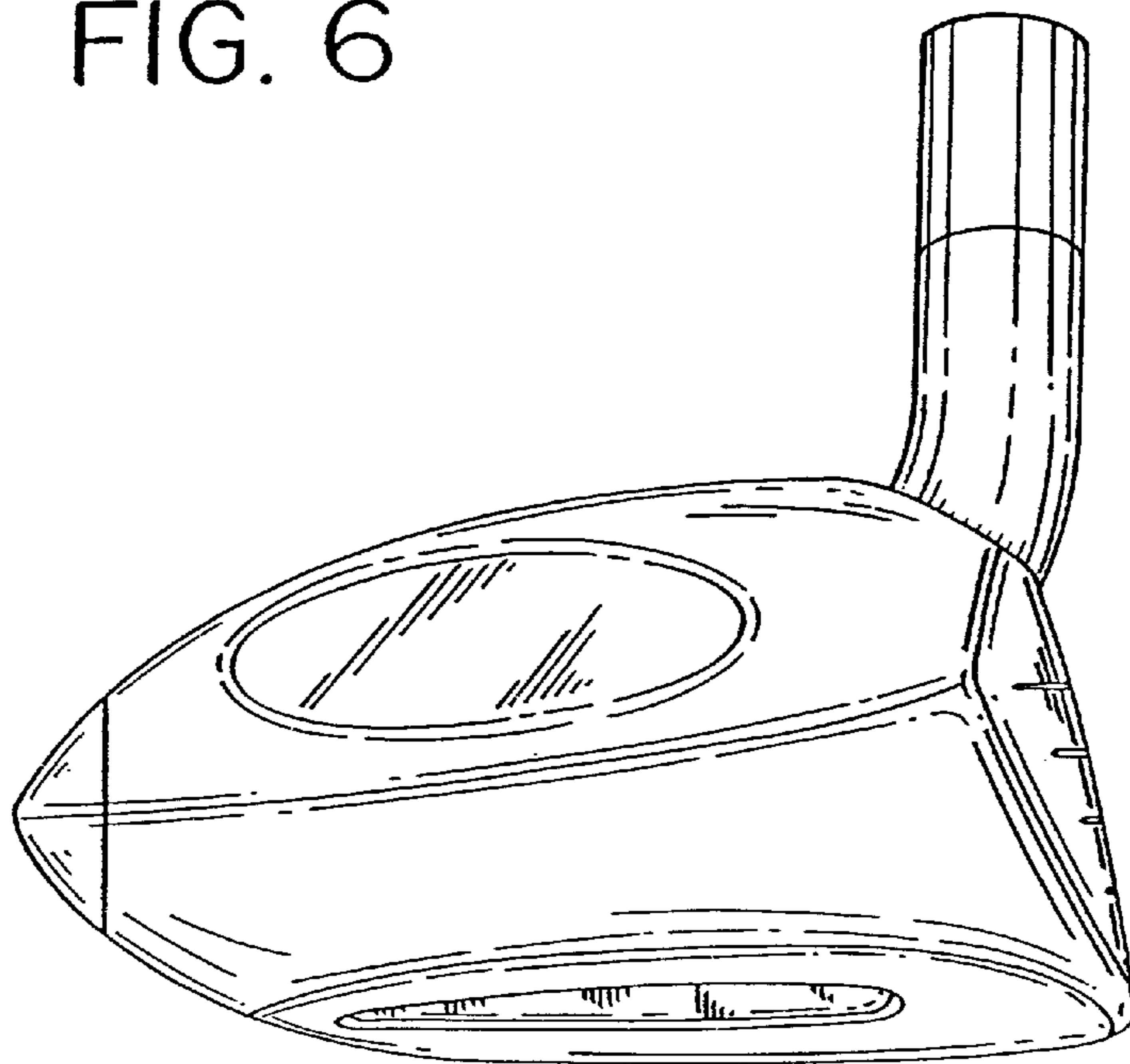


FIG. 6



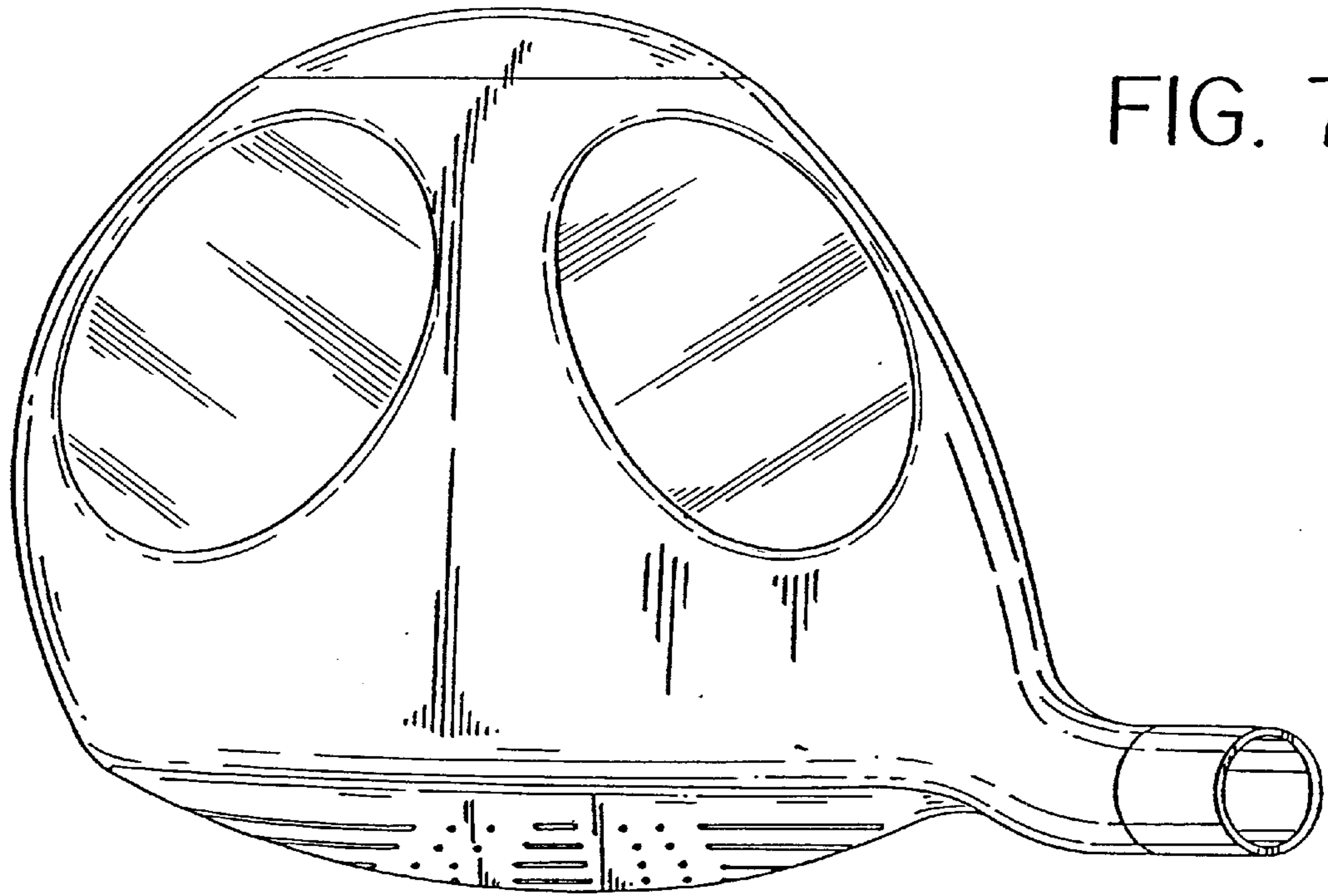


FIG. 7

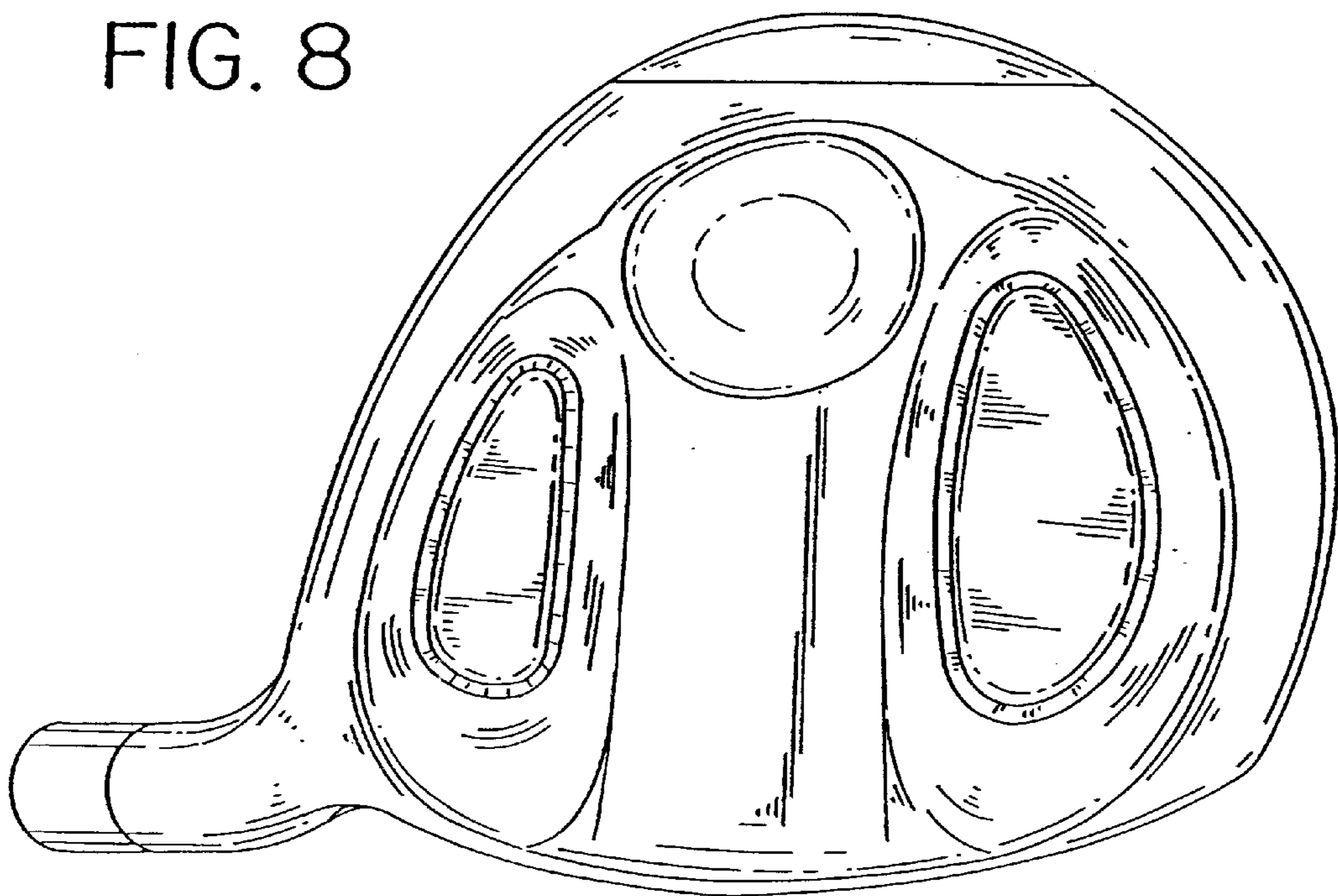


FIG. 8