



US00D425156S

# United States Patent [19]

Hanks et al.

[11] **Patent Number: Des. 425,156**

[45] **Date of Patent: \*\* May 16, 2000**

[54] **BALL TOSSING GAME DEVICE**

[76] Inventors: **Richard C. Hanks; Richard T. Hanks,**  
both of G.A. R. Hwy., Swansea, Mass.  
02777

[\*\*] Term: **14 Years**

[21] Appl. No.: **29/099,596**

[22] Filed: **Jan. 25, 1999**

[51] **LOC (7) Cl. .... 21-03**

[52] **U.S. Cl. .... D21/722**

[58] **Field of Search .... D21/722, 725;**  
463/49; 473/565-569, 558, 559

[56] **References Cited**

**U.S. PATENT DOCUMENTS**

D. 254,440 3/1980 Reinhard ..... D21/725

D. 290,729 7/1987 Einhorn ..... D21/725  
D. 296,691 7/1988 Tajima ..... D21/725 X  
D. 386,678 11/1997 Tyra ..... D21/725

*Primary Examiner*—Mitchell Siegel  
*Attorney, Agent, or Firm*—Robert J Doherty

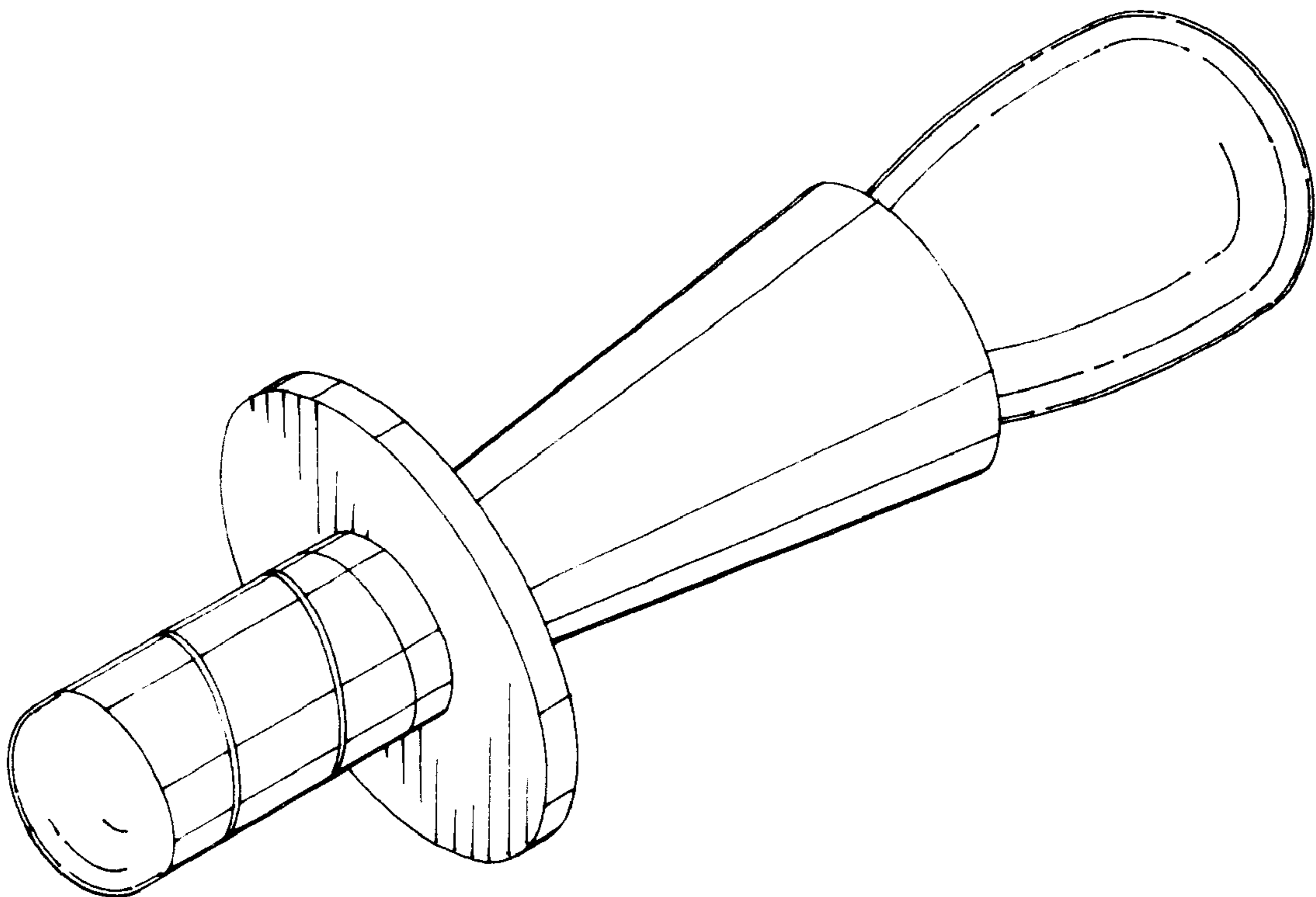
[57] **CLAIM**

The ornamental design for a ball tossing game device, as shown and described.

**DESCRIPTION**

FIG. 1 is a front perspective view of a ball tossing game device showing our new design; FIG. 2 is a front elevational view of FIG. 1; the side and rear views being essentially identical thereto; FIG. 3 is a top view of FIG. 1; and, FIG. 4 is a bottom view of FIG. 1.

**1 Claim, 1 Drawing Sheet**



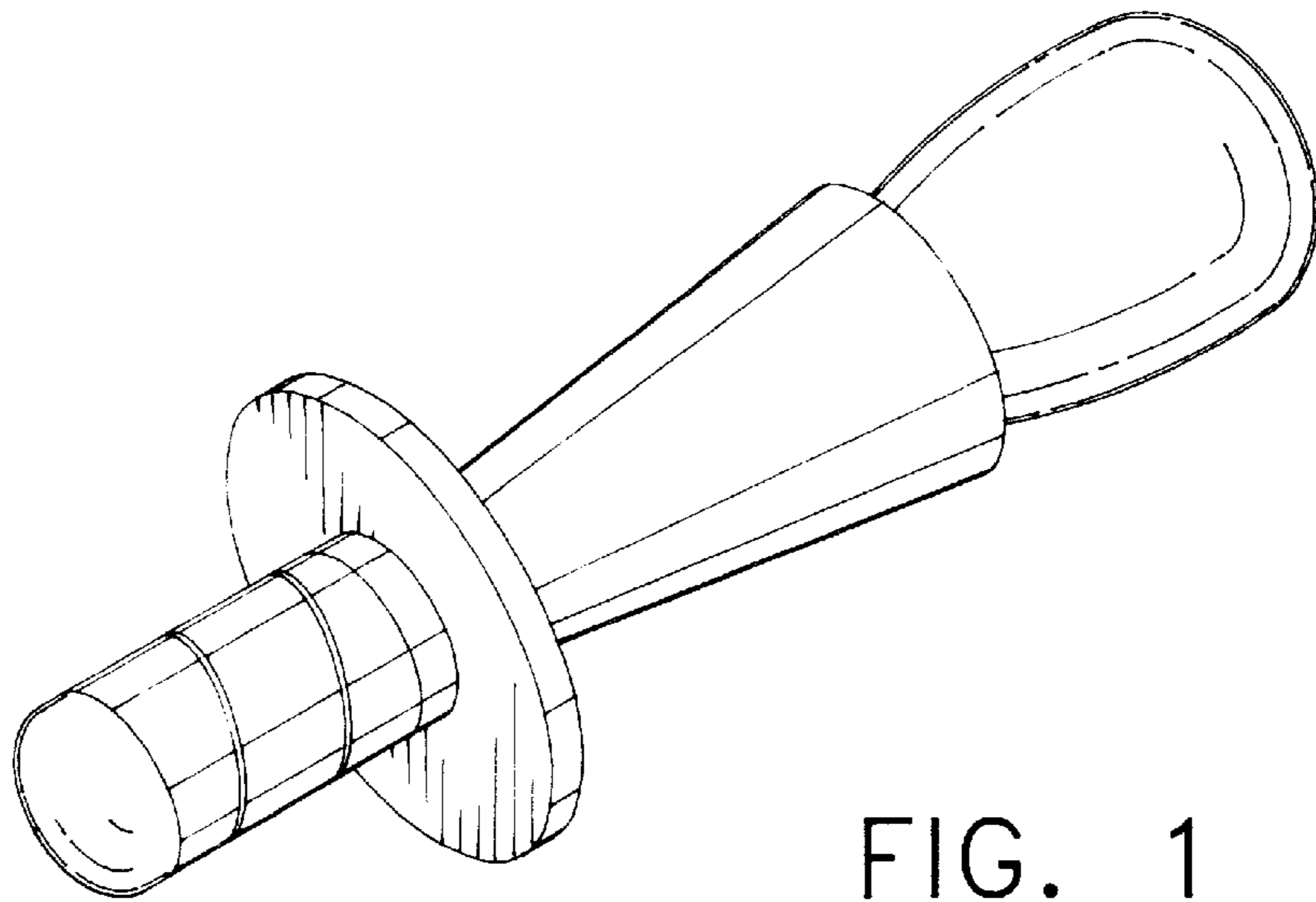


FIG. 1

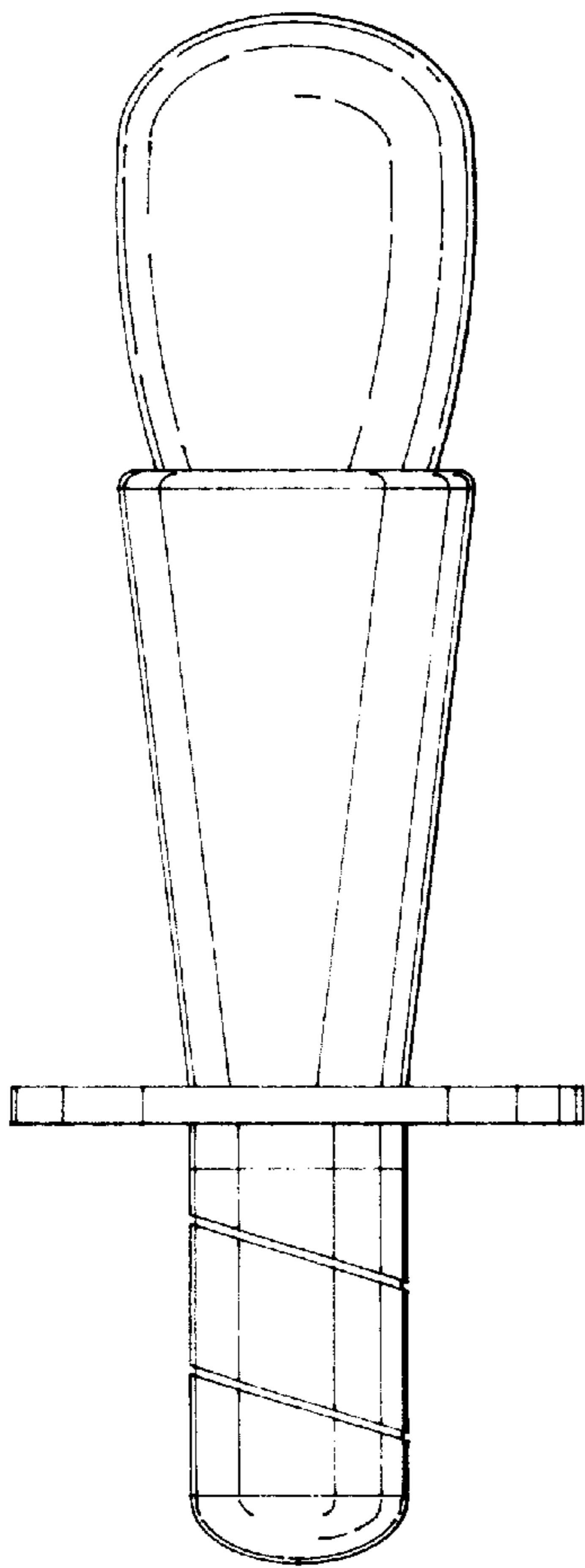


FIG. 2

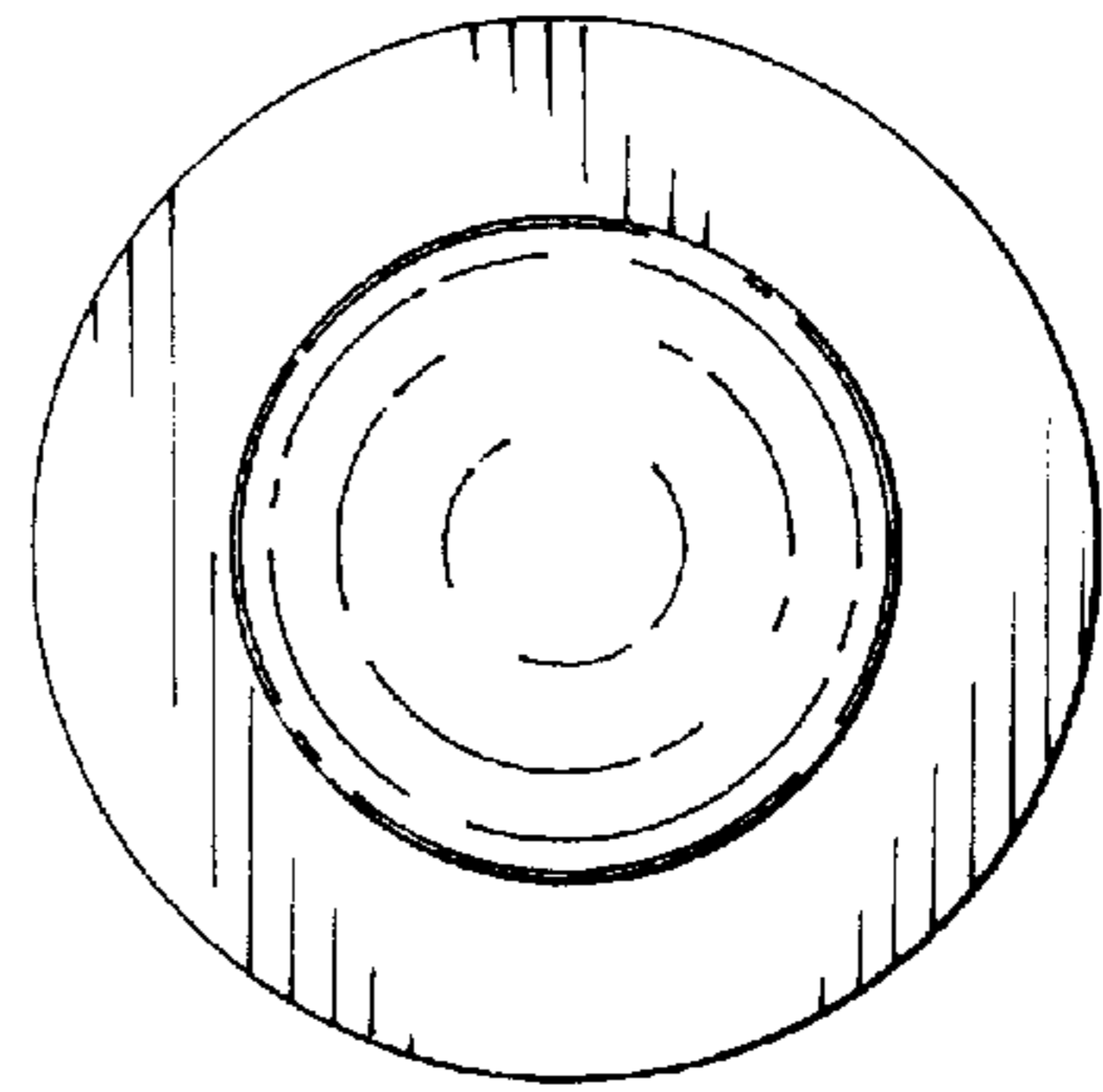


FIG. 3

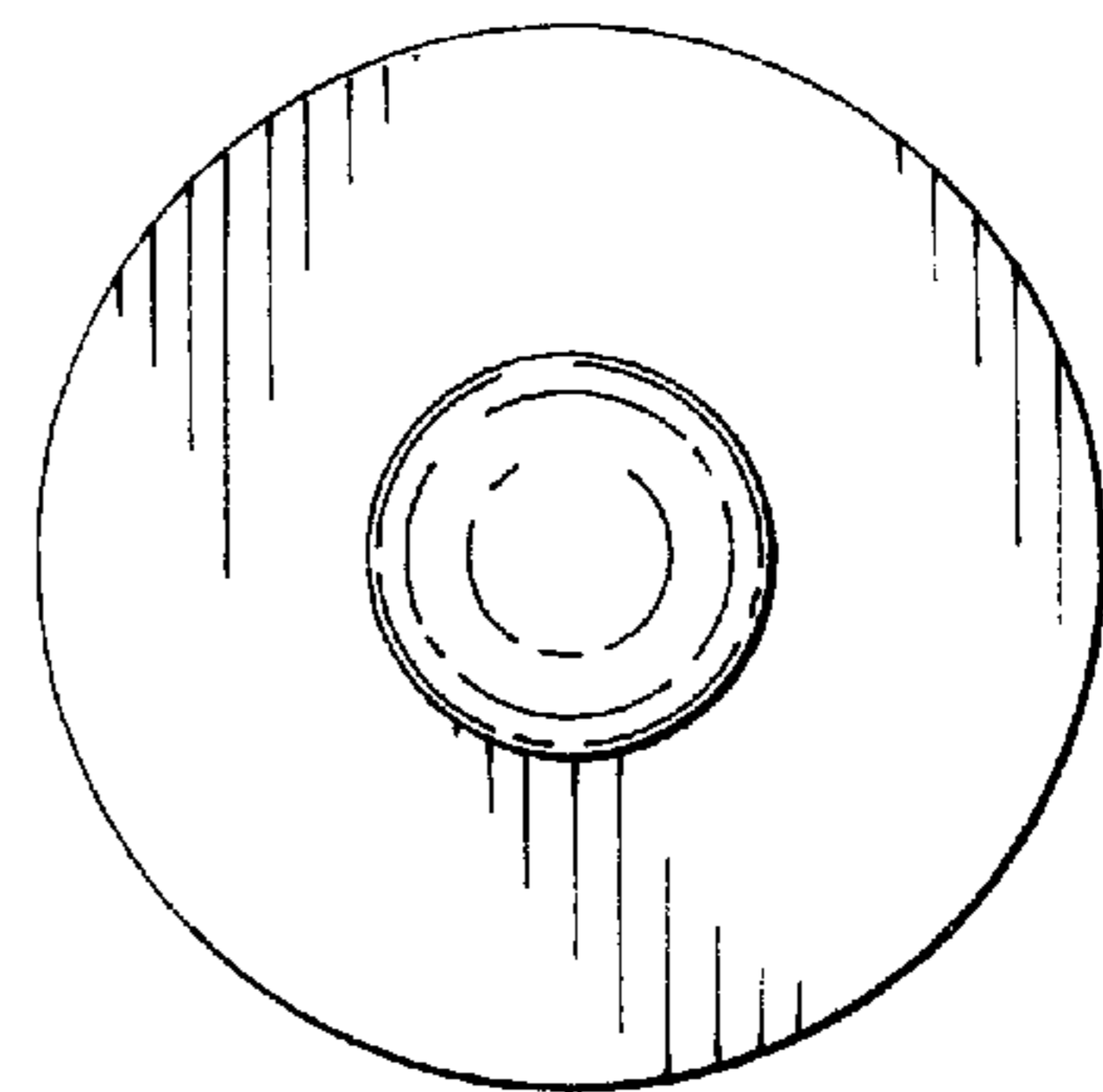


FIG. 4