



US00D425155S

United States Patent [19]

Tsukamoto et al.

[11] Patent Number: **Des. 425,155**

[45] Date of Patent: **** May 16, 2000**

[54] **GOLF TEE WITH A PROTECTIVE PAD**

[76] Inventors: **Peter Tsukamoto**, 601 Hind Iuka Dr., Honolulu, Hi. 96821; **James K. Haruki**, 1628 Kalauipo St., Pearl City, Honolulu, Hi. 96782

[**] Term: **14 Years**

[21] Appl. No.: **29/083,159**

[22] Filed: **Feb. 5, 1998**

[51] **LOC (7) Cl.** **21-02**

[52] **U.S. Cl.** **D21/718**

[58] **Field of Search** D21/208, 234; 473/387-403

[56] **References Cited**

U.S. PATENT DOCUMENTS

D. 85,229	9/1931	Cannon	D21/208
1,573,911	2/1926	Budrow	473/401
1,627,012	5/1927	Copeland	473/394
1,670,123	5/1928	Ranseen	473/401
1,670,627	5/1928	Lowell	473/401
3,606,344	9/1971	Ball	273/202
3,645,537	2/1972	Parenteau	473/401

4,786,054	11/1988	Keys	473/396 X
5,186,455	2/1993	Rosetta	273/32 B
5,413,348	5/1995	Basso	273/208
5,470,074	11/1995	Hotchkiss et al.	273/195 B
5,571,054	11/1996	Chantal	473/387

Primary Examiner—Ted Shooman
Assistant Examiner—Richelle Shelton
Attorney, Agent, or Firm—Sawyer & Associates

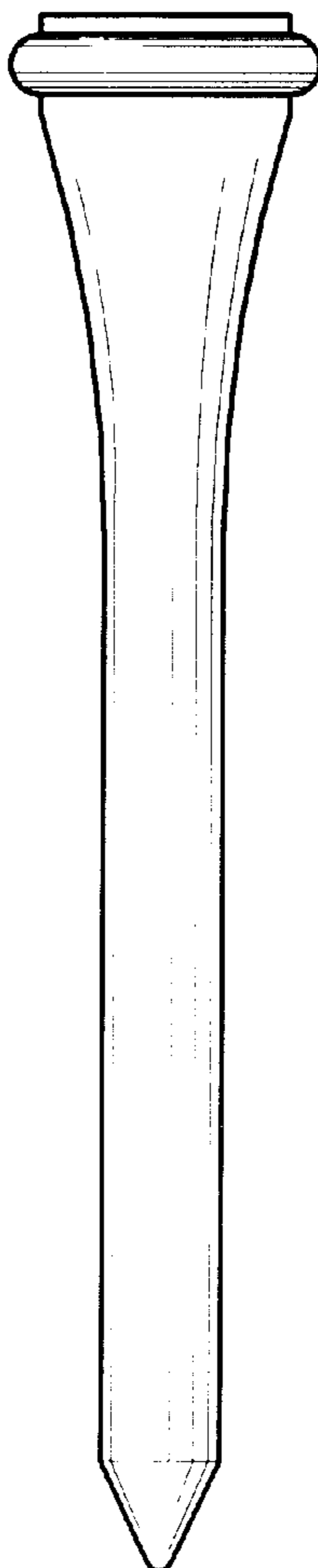
[57] **CLAIM**

The ornamental design for a golf tee with a protective pad, as shown and described.

DESCRIPTION

FIG. 1 is a side view of one embodiment of the golf tee; FIG. 2 is a side view of another embodiment of the golf tee; and FIG. 3 is a perspective view of the embodiment of the golf tee shown in FIG. 2; FIG. 4 is a top view of an embodiment of the golf tee; FIG. 5A is a bottom view of an embodiment of the golf tee depicted in FIG. 1; and, FIG. 5B is a bottom view of an embodiment of the golf tee depicted in FIG. 2.

1 Claim, 2 Drawing Sheets



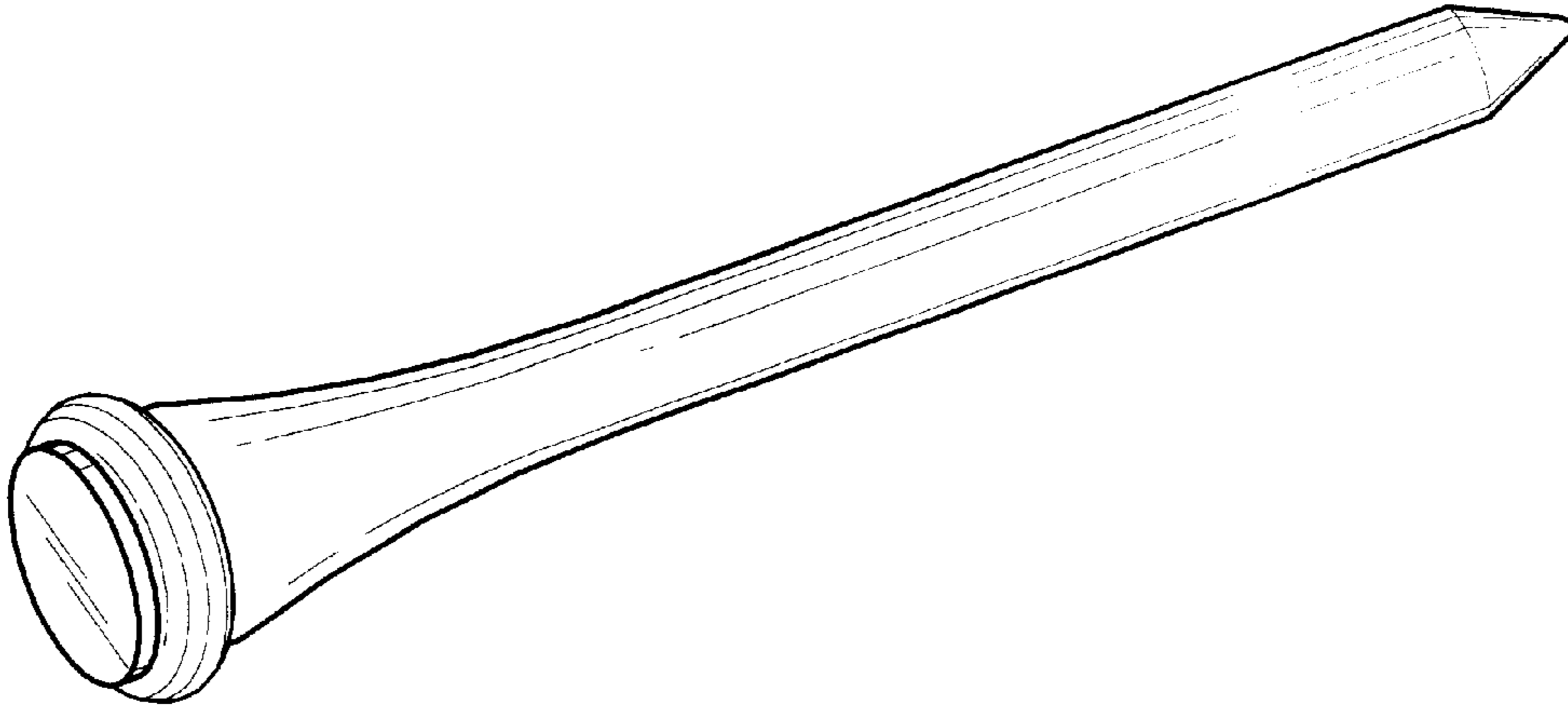


FIG. 3

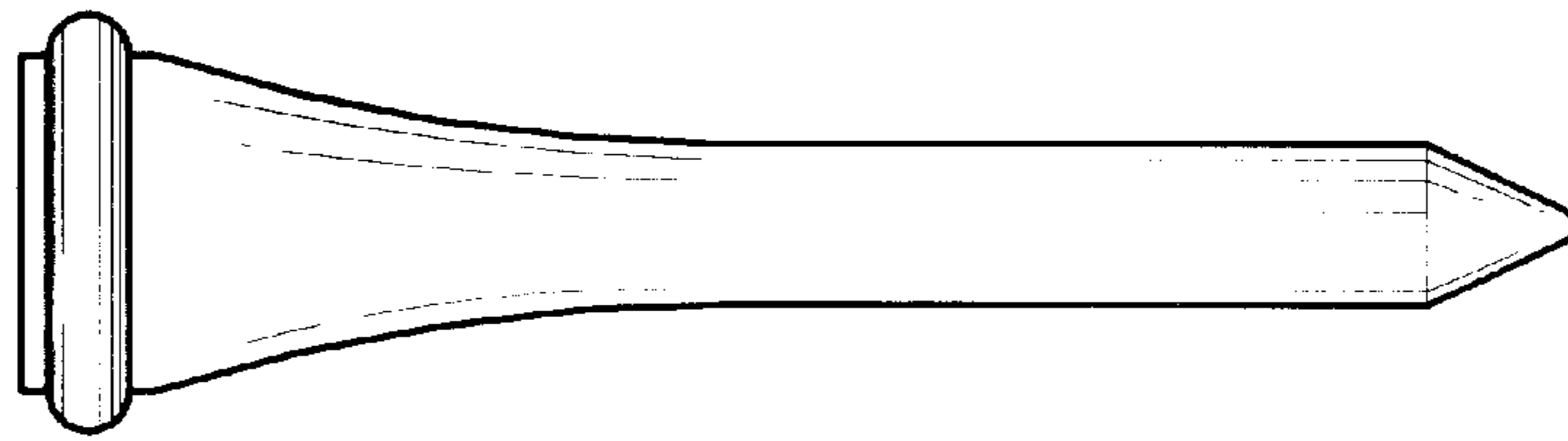


FIG. 2

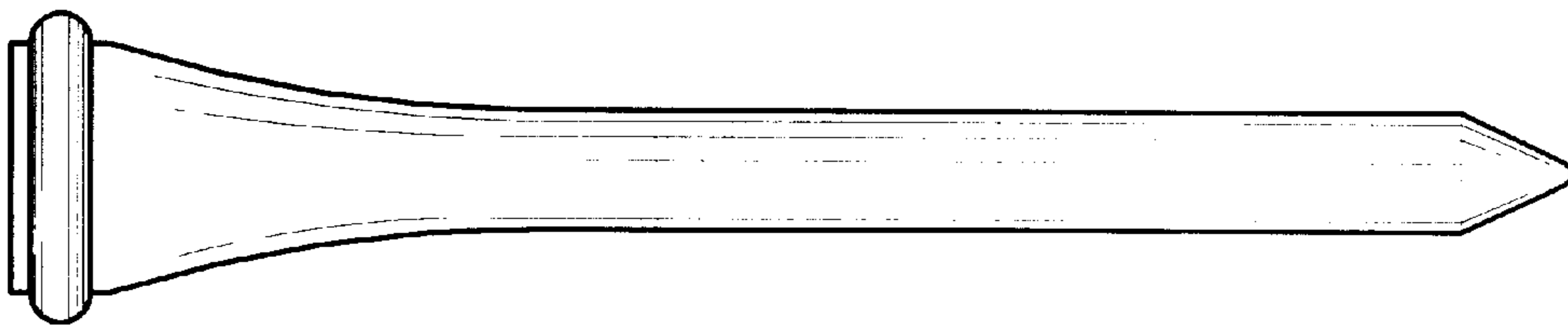


FIG. 1

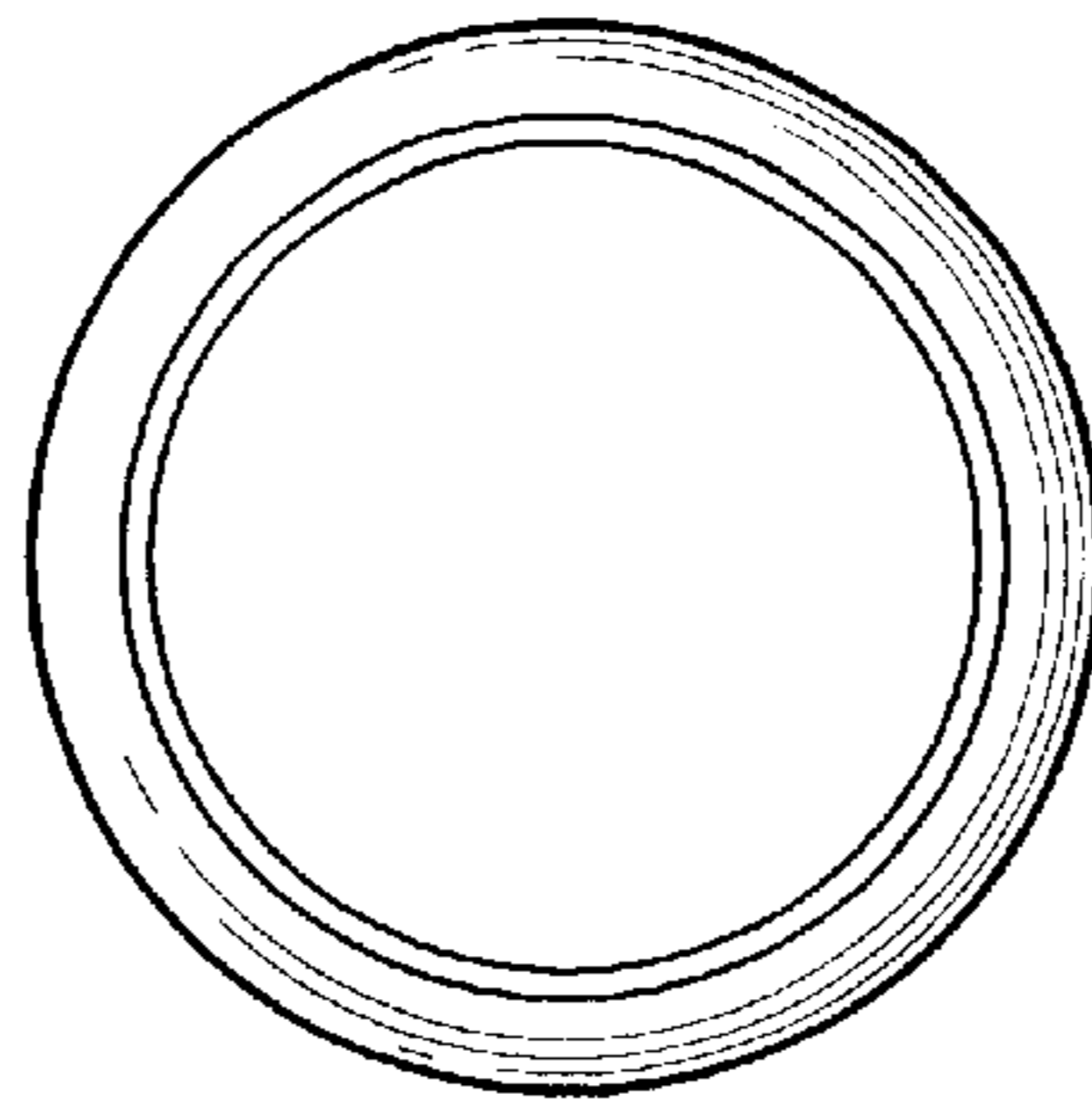


FIG. 4

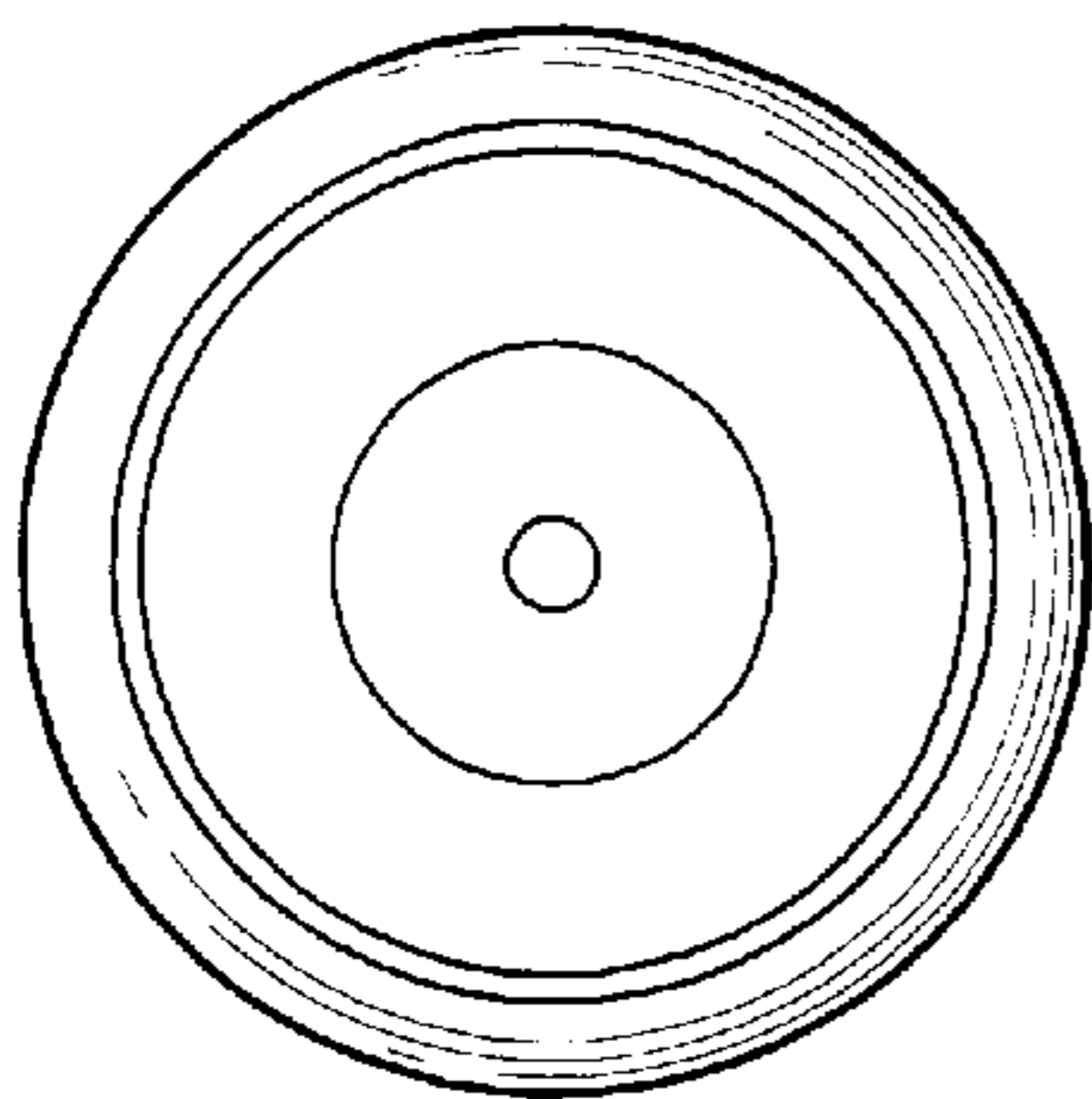


FIG. 5A

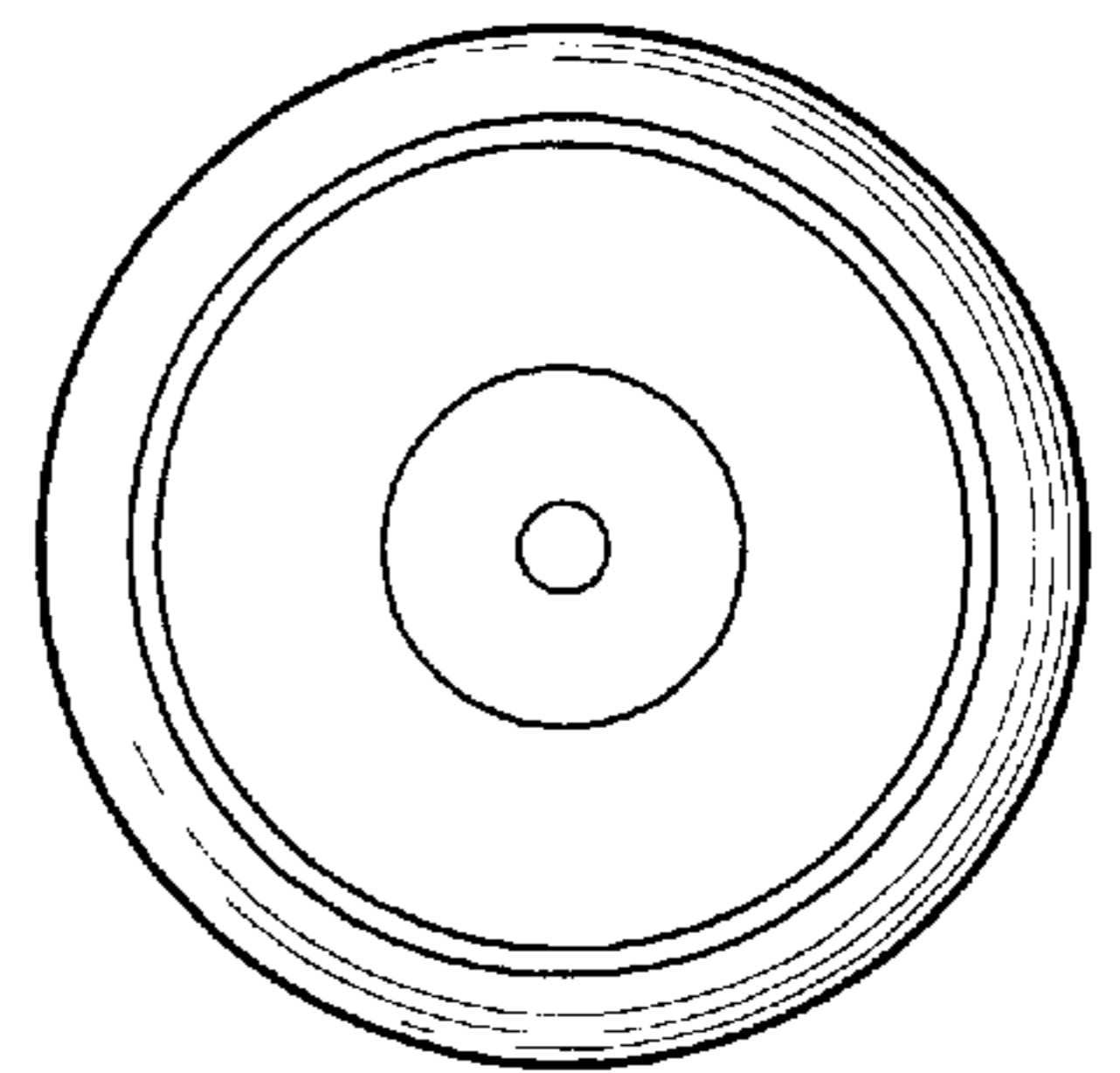


FIG. 5B