



US00D425153S

# United States Patent [19] Grider

[11] Patent Number: Des. 425,153

[45] Date of Patent: \*\* May 16, 2000

[54] MULTI-PURPOSE EXERCISE BENCH

[76] Inventor: Sherman P. Grider, 1325 E. Franklin Ave., Pomona, Calif. 91766

[\*\*] Term: 14 Years

[21] Appl. No.: 29/104,741

[22] Filed: May 11, 1999

[51] LOC (7) Cl. .... 21-02

[52] U.S. Cl. .... D21/690; D21/676

[58] Field of Search ..... D21/686, 690, D21/691, 676; 482/92, 104, 106, 142

[56] **References Cited**

U.S. PATENT DOCUMENTS

D. 262,810	1/1982	Lynn	.....	D21/690
D. 300,045	2/1989	Grider	.....	D21/690
D. 314,026	1/1991	Jennings	.....	D21/676
D. 366,917	2/1996	Clem	.....	D21/690
D. 406,290	3/1999	McBride	.....	D21/676

4,653,751	3/1987	Green	.....	482/142
5,042,801	8/1991	Sterba et al.	.....	482/142
5,160,305	11/1992	Lin	.....	482/142
5,649,886	7/1997	Danylieko	.....	482/142

Primary Examiner—Philip S. Hyder  
Attorney, Agent, or Firm—Boniard I. Brown

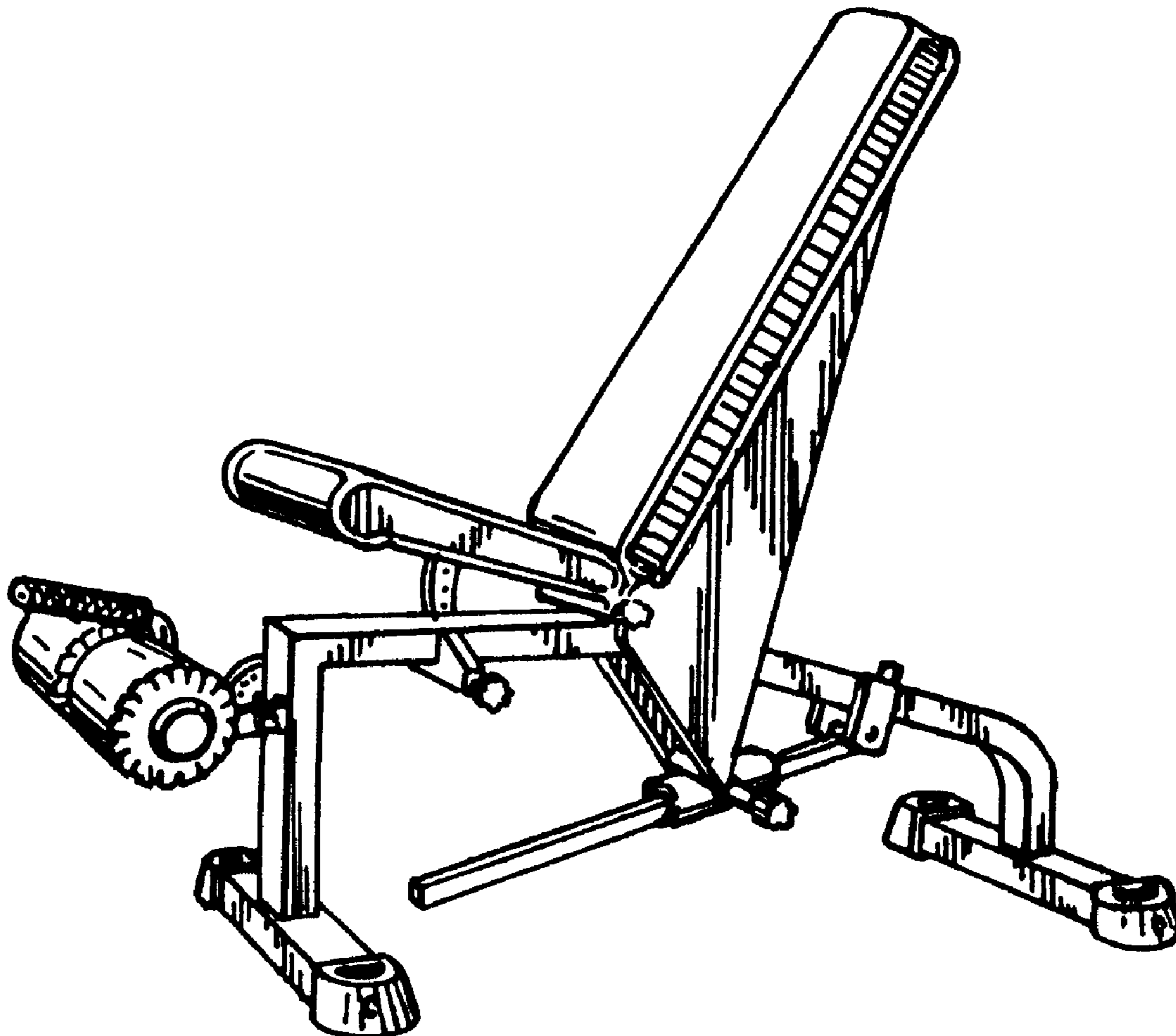
[57] **CLAIM**

The ornamental design for a multi-purpose exercise bench, as shown and described.

**DESCRIPTION**

FIG. 1 is a perspective view of a multi-purpose exercise bench showing my new design;  
FIG. 2 is a front elevational view thereof;  
FIG. 3 is a top view thereof;  
FIG. 4 is a bottom view thereof; and,  
FIG. 5 is a rear view thereof.  
The side opposite that shown in FIG. 1 is a mirror image of FIG. 1.

1 Claim, 1 Drawing Sheet



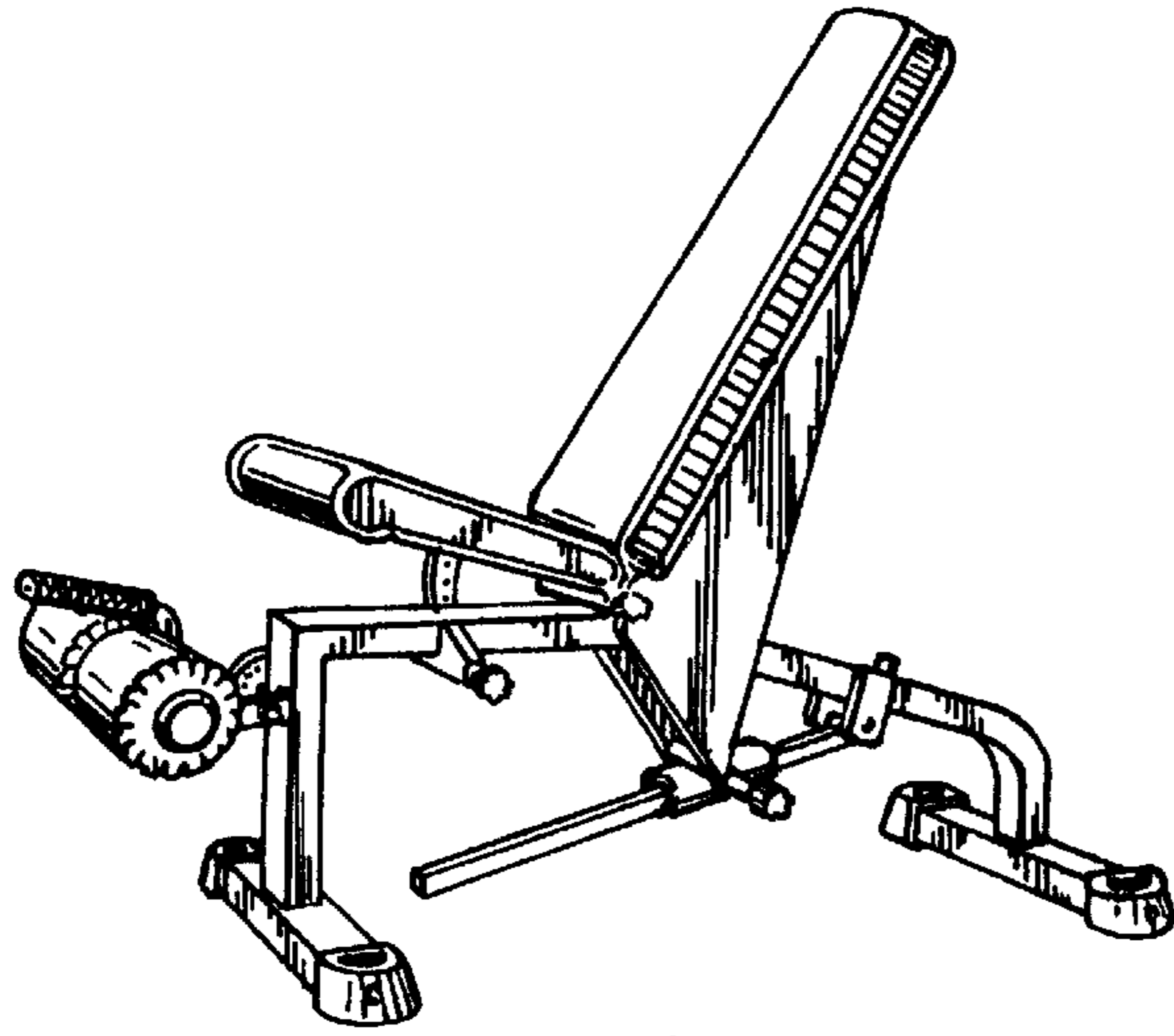


FIG. 1

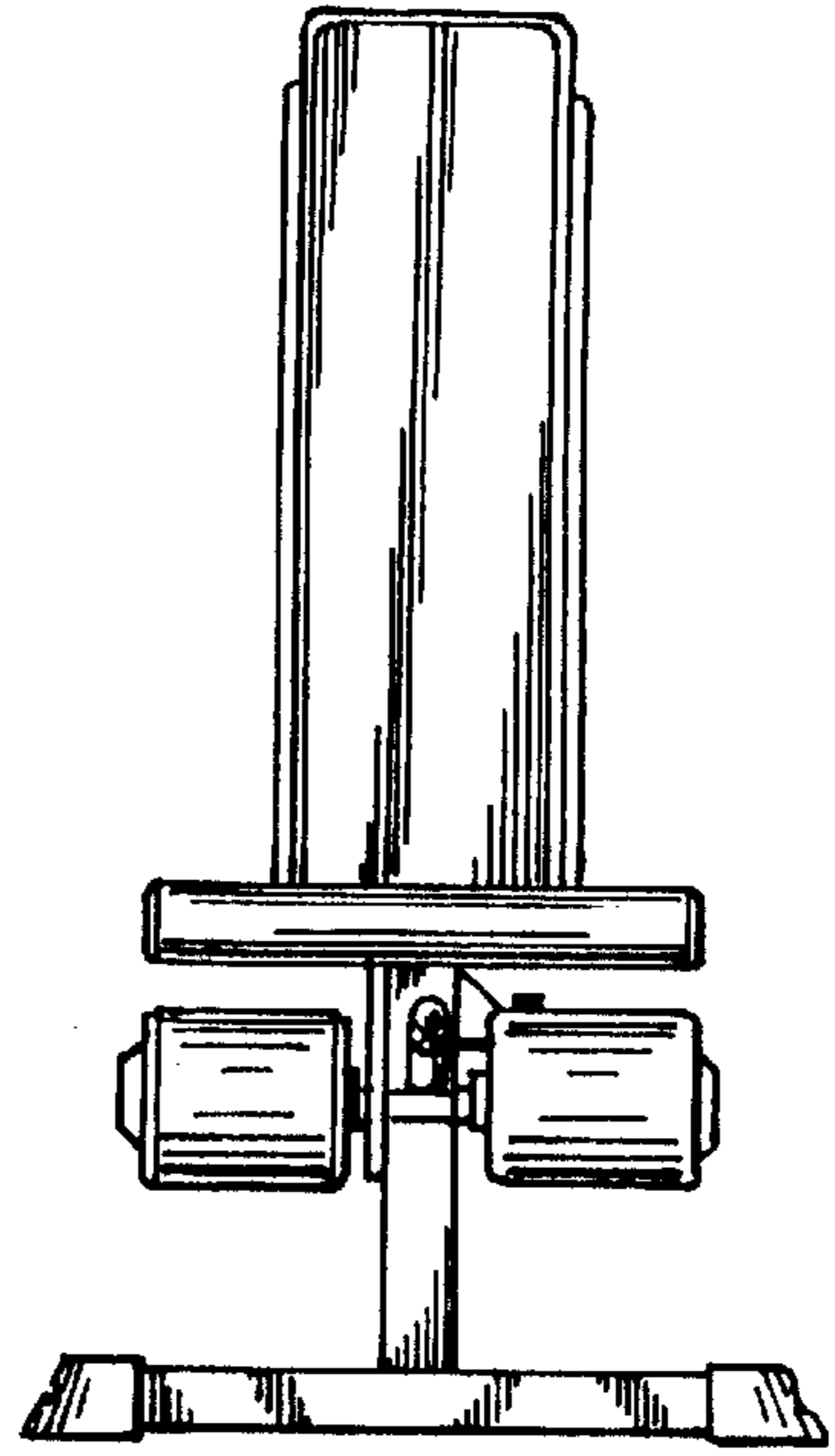


FIG. 2

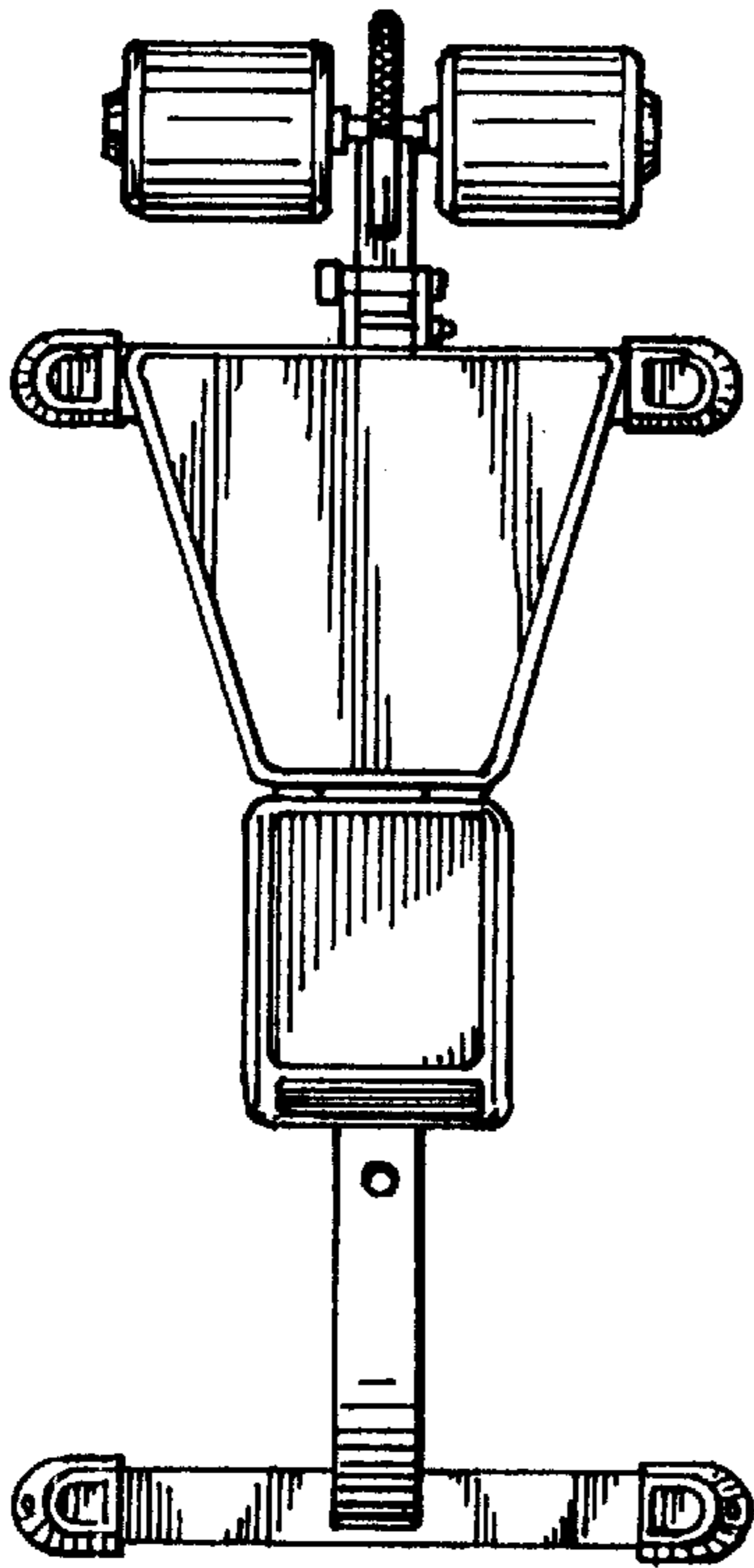


FIG. 3

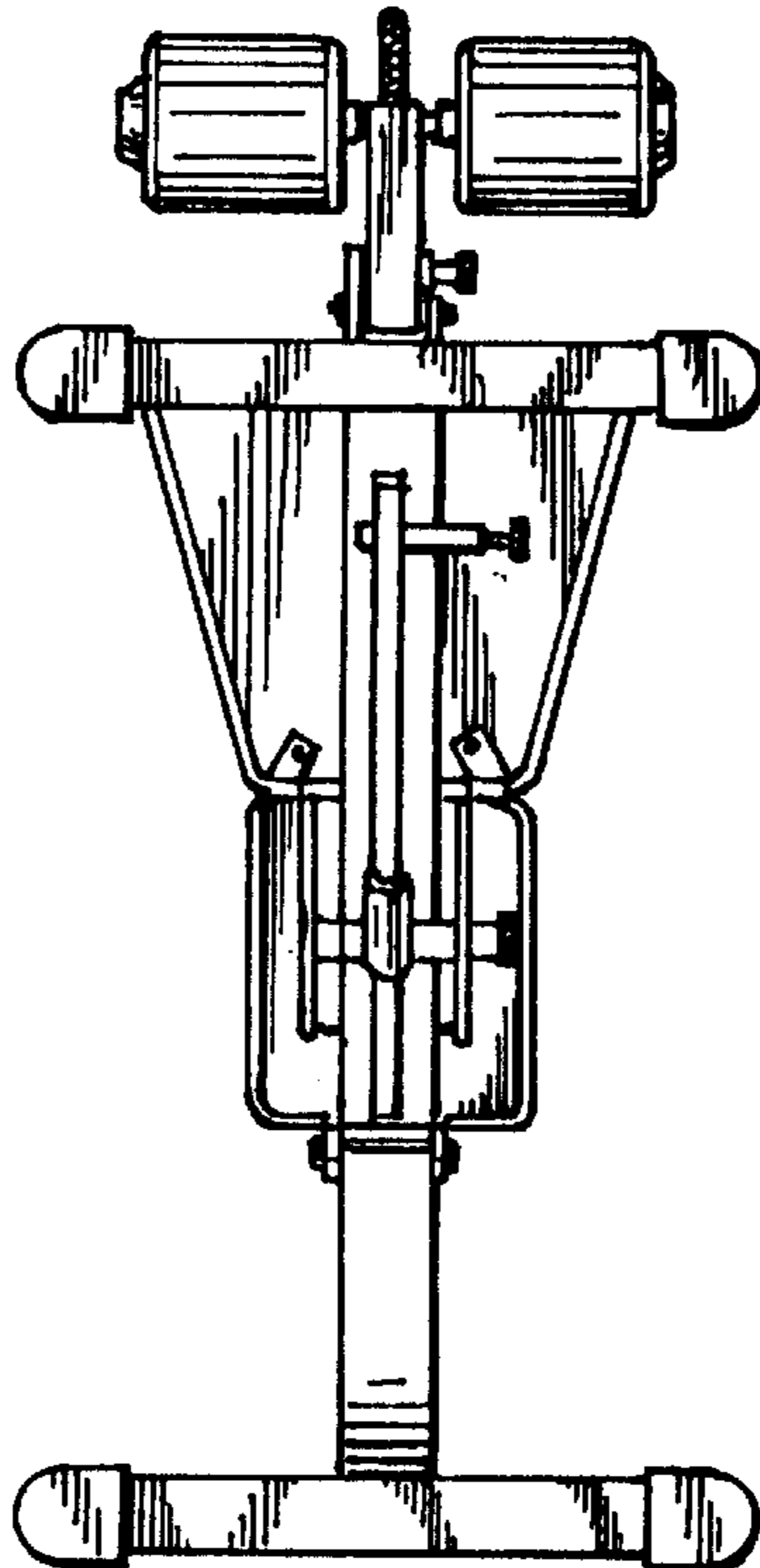


FIG. 4

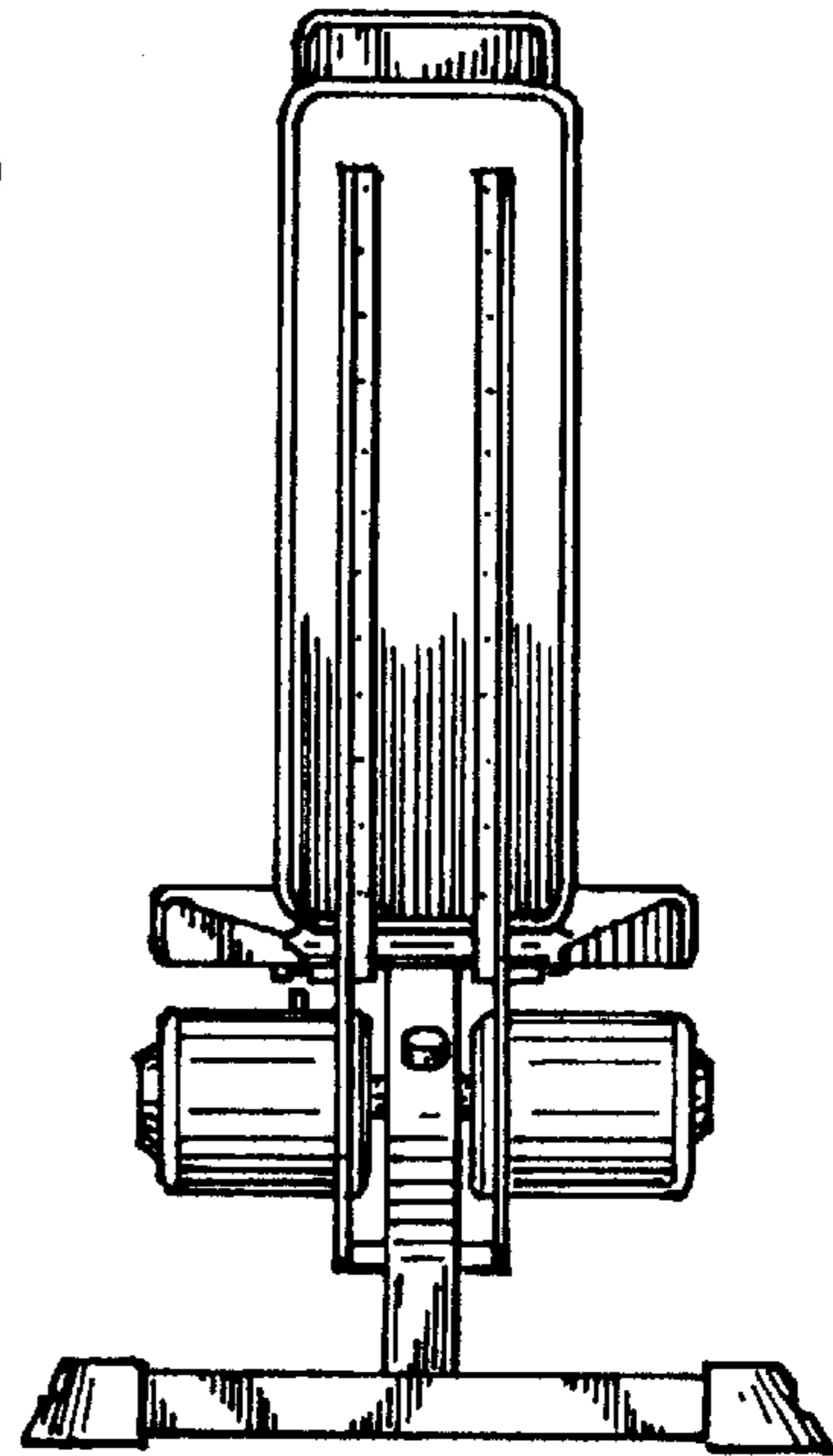


FIG. 5