



US00D425151S

**United States Patent** [19]  
**Landfair**

[11] **Patent Number: Des. 425,151**

[45] **Date of Patent: \*\* May 16, 2000**

[54] **EXERCISE BAR WITH ATTACHMENT POINTS FOR WEIGHTED PLATES**

[75] Inventor: **Craig D. Landfair**, Ventura, Calif.

[73] Assignee: **Hampton Fitness Products, Ltd.**,  
Ventura, Calif.

[\*\*] Term: **14 Years**

[21] Appl. No.: **29/110,823**

[22] Filed: **Sep. 14, 1999**

[51] **LOC (7) Cl.** ..... **21-02**

[52] **U.S. Cl.** ..... **D21/681; D21/679; D21/682**

[58] **Field of Search** ..... **D21/679, 680, 681, 682, 683, 684; 482/105, 106, 107, 108, 109**

[56] **References Cited**

**U.S. PATENT DOCUMENTS**

D. 261,788 11/1981 Burns ..... D21/682

D. 290,485 6/1987 Suponitsky ..... D21/681  
D. 320,249 9/1991 Gerard ..... D21/682  
D. 320,636 10/1991 Eckler ..... D21/681  
2,722,419 11/1955 Tarapczynski ..... 482/106  
4,018,442 4/1977 Galler ..... 482/106

*Primary Examiner*—Philip S. Hyder  
*Attorney, Agent, or Firm*—J. Charles Dougherty

[57] **CLAIM**

I claim the ornamental design for an exercise bar with attachment points for weighted plates, as shown.

**DESCRIPTION**

FIG. 1 is a perspective view of the invention;  
FIG. 2 is a top plan view of the invention;  
FIG. 3 is a side elevational view of the invention; and,  
FIG. 4 is an end elevational view of the invention.

**1 Claim, 2 Drawing Sheets**

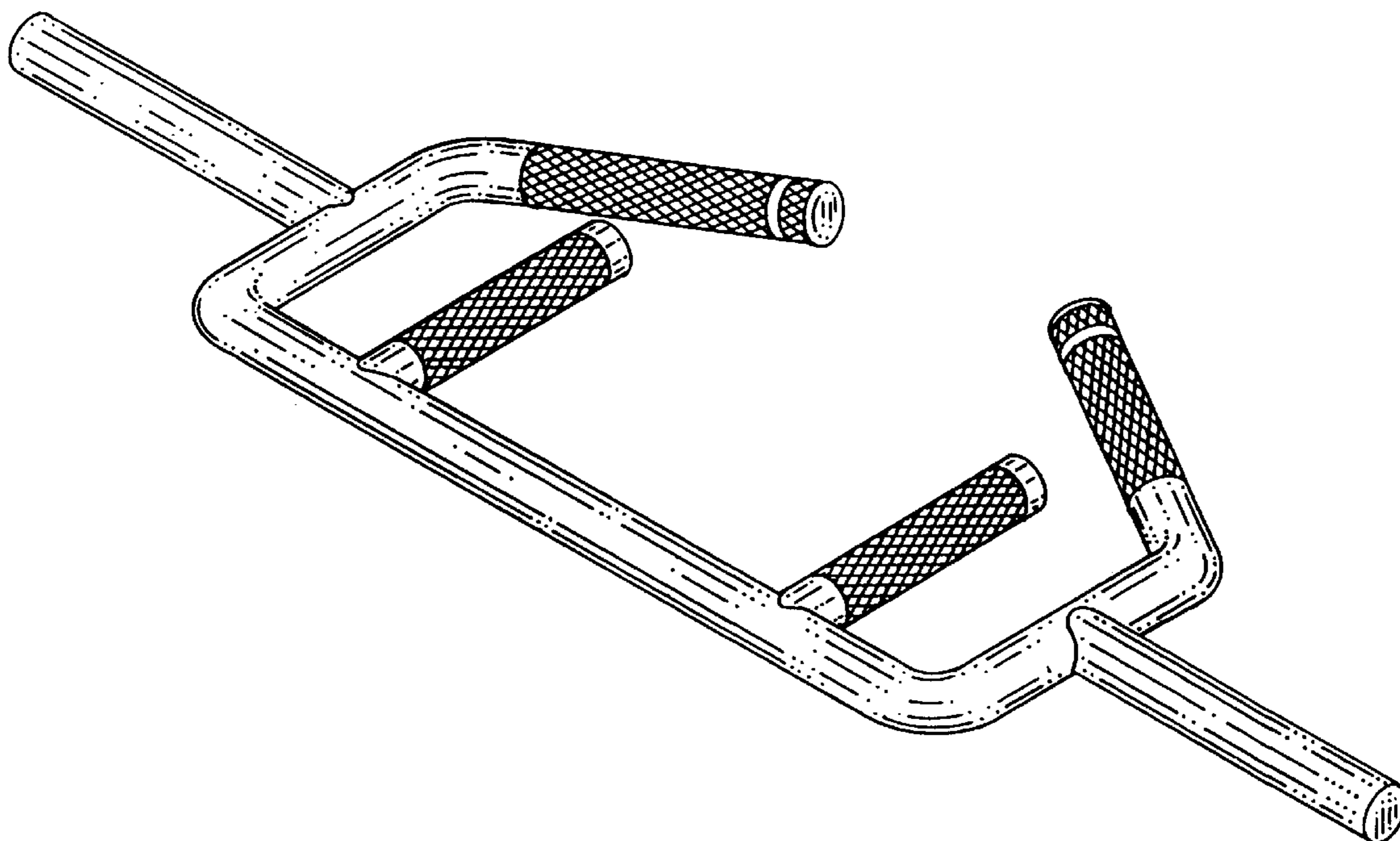


FIG. 1

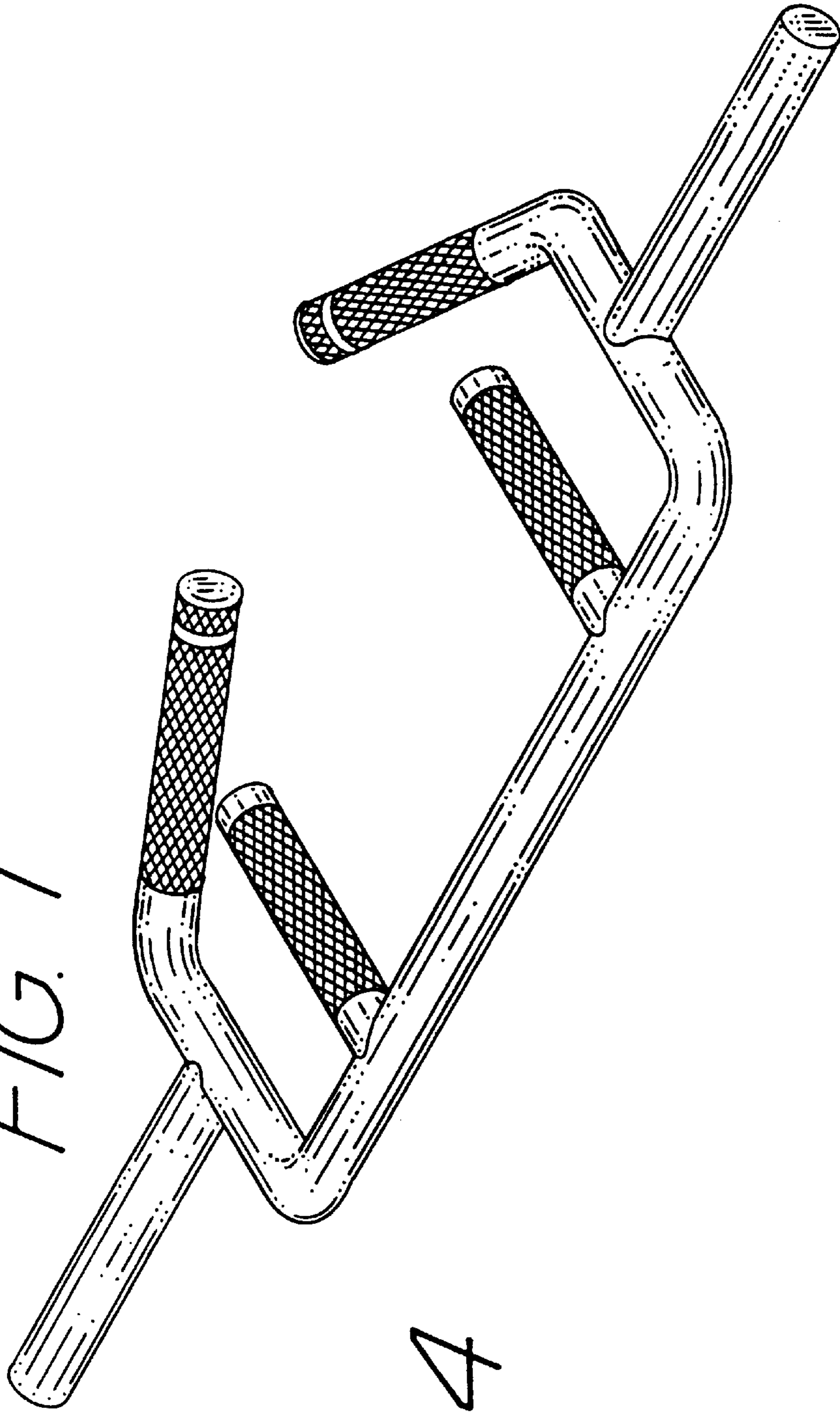


FIG. 4



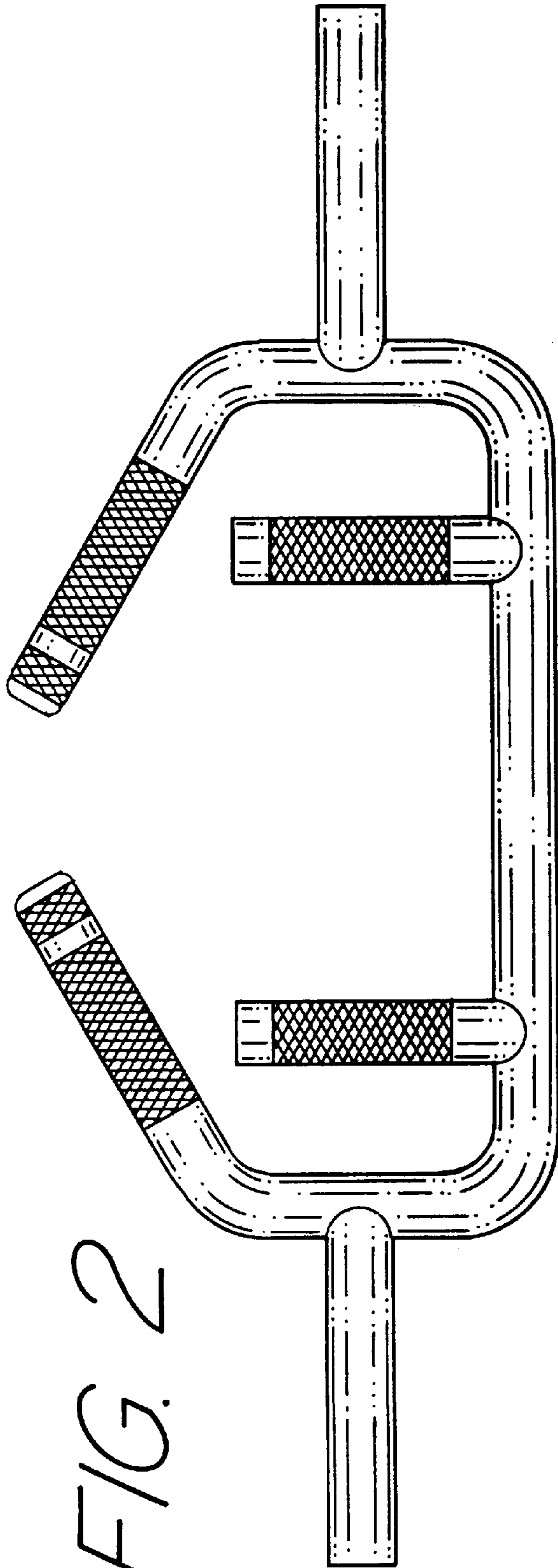


FIG. 2

FIG. 3

