



US00D425144S

United States Patent [19]
McGaffigan

[11] **Patent Number: Des. 425,144**

[45] **Date of Patent: ** May 16, 2000**

[54] **SIMULATED LASER TOY**

[76] Inventor: **Thomas H. McGaffigan**, 19089
Brookhaven Dr., Saratoga, Calif. 95070

[**] Term: **14 Years**

[21] Appl. No.: **29/104,542**

[22] Filed: **May 6, 1999**

[51] **LOC (7) Cl.** **21-01**

[52] **U.S. Cl.** **D21/567**

[58] **Field of Search** D21/567-575,
D21/483, 398, 400, 402; 446/473, 267,
484, 485

[56] **References Cited**

U.S. PATENT DOCUMENTS

D. 255,590	6/1980	Berling	D21/568
D. 257,635	12/1980	Carreiro	D21/568
4,678,450	7/1987	Scolari et al.	446/473
4,904,222	2/1990	Gestgeb	446/473
5,092,807	3/1992	Lew et al.	446/267
5,947,789	9/1999	Chan	446/473
6,010,435	1/2000	Tanabe	446/473

Primary Examiner—Raphael Barkai
Attorney, Agent, or Firm—Burns, Doane, Swecker &
Mathis, LLP

[57] **CLAIM**

The ornamental design for a simulated laser toy, as shown and described.

DESCRIPTION

FIG. 1 is a perspective view of a first embodiment of the simulated laser toy;
FIG. 2 is a left side view thereof, the right side being substantially a mirror image;
FIG. 3 is a top view thereof;
FIG. 4 is a bottom view thereof;
FIG. 5 is a front view thereof;
FIG. 6 is a perspective view of a second embodiment of the simulated laser toy;
FIG. 7 is a left side view thereof, the right side being substantially a mirror image;
FIG. 8 is a top view thereof;
FIG. 9 is a bottom view thereof; and,
FIG. 10 is a front view thereof.

The tapering central portion or core of the simulated laser toy shown in the drawings has an illuminated or lighted appearance.

The handle illustrated in broken lines is not a part of the invention.

The end face of the simulated laser toy which is attached to the handle is plain and unornamented.

1 Claim, 4 Drawing Sheets

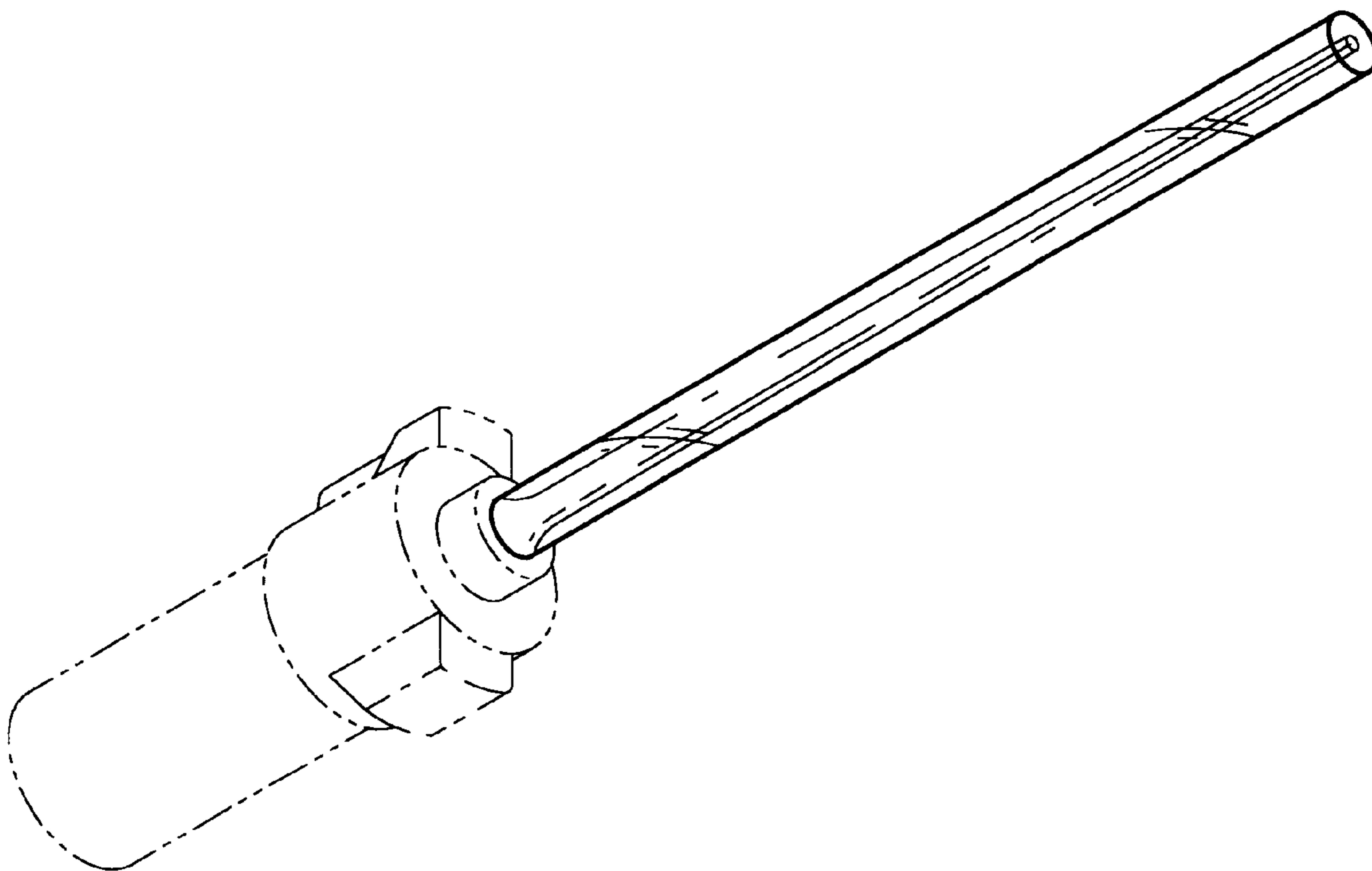


FIG. 1

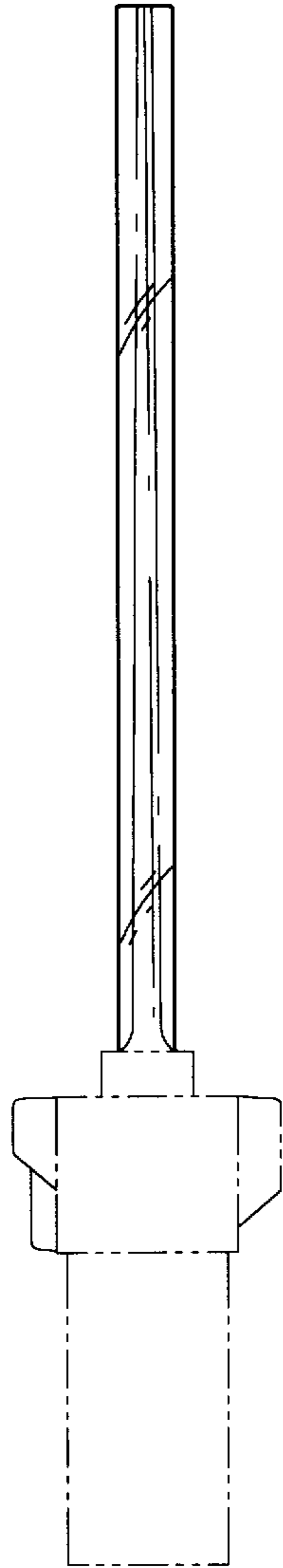
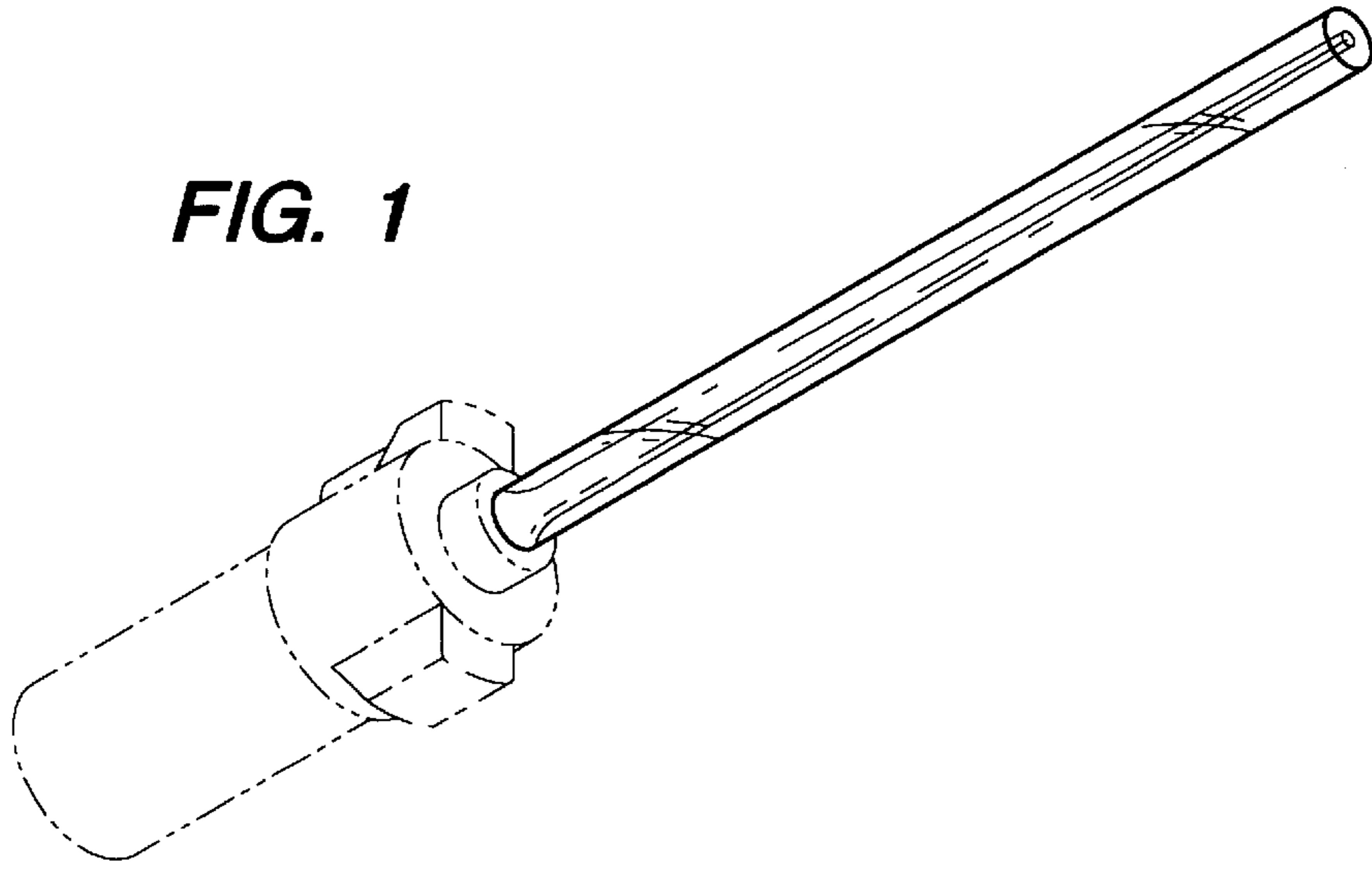


FIG. 2

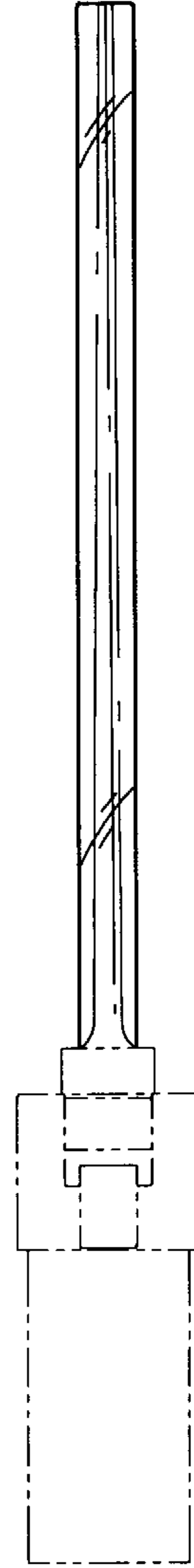


FIG. 3

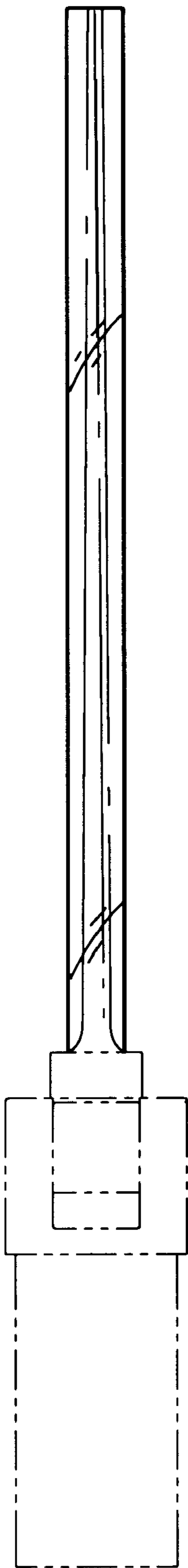


FIG. 4

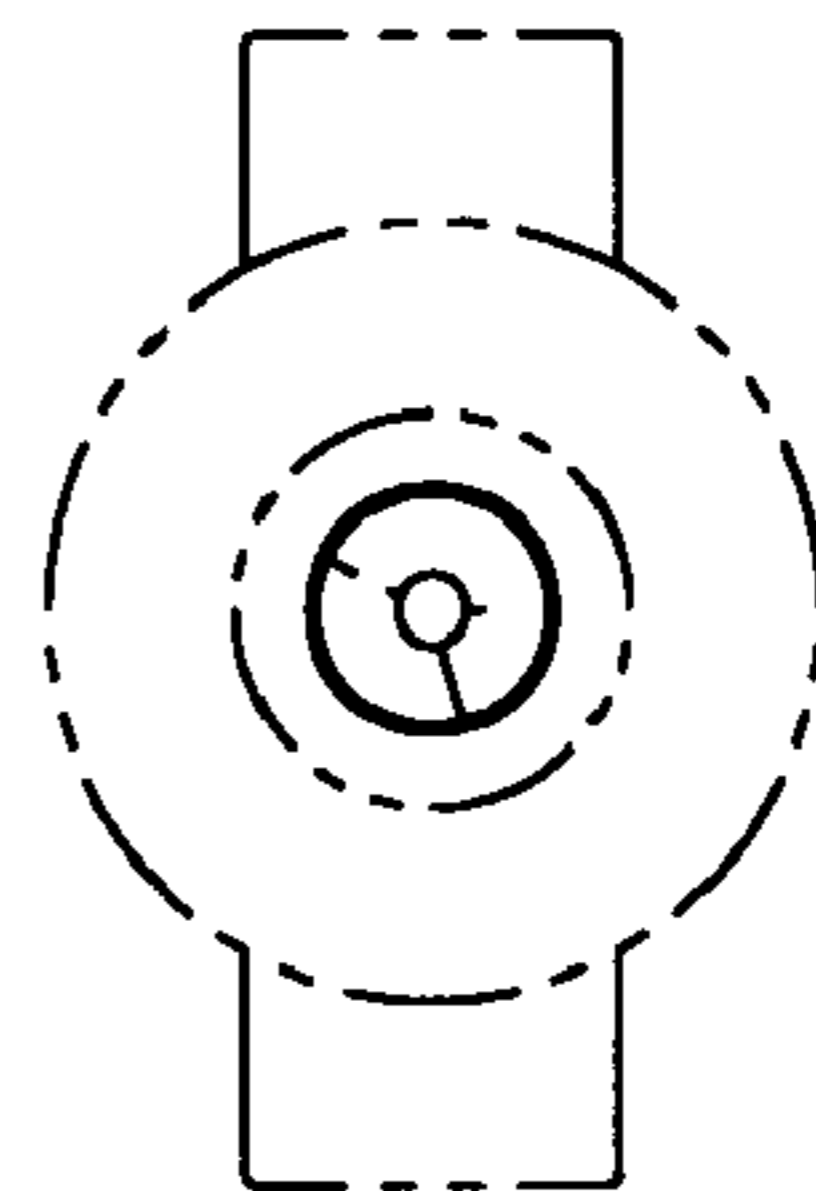


FIG. 5

FIG. 6

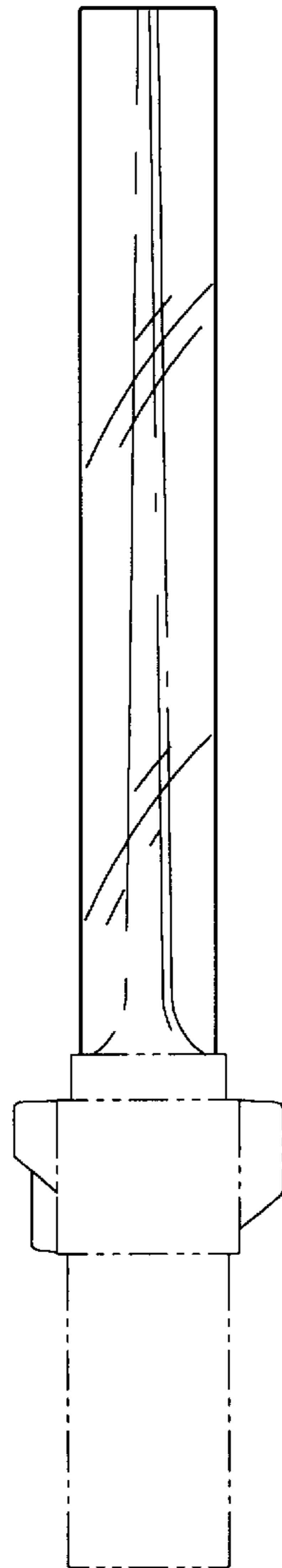
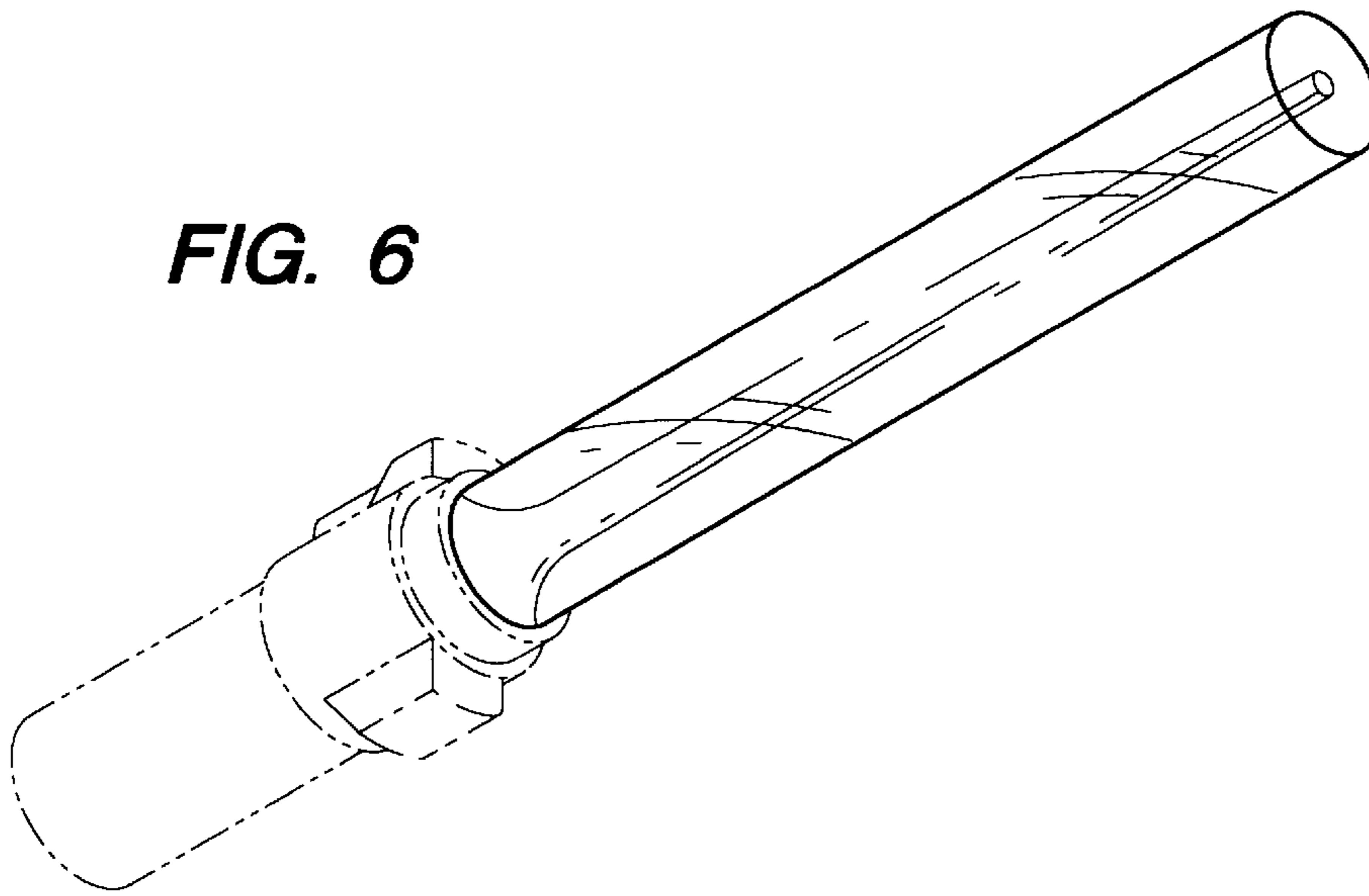


FIG. 7

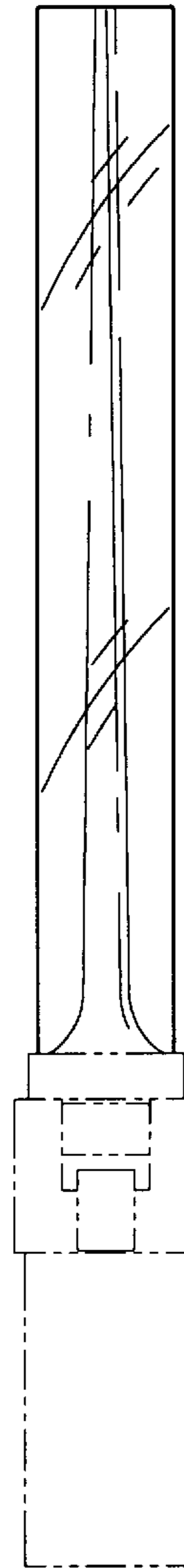


FIG. 8

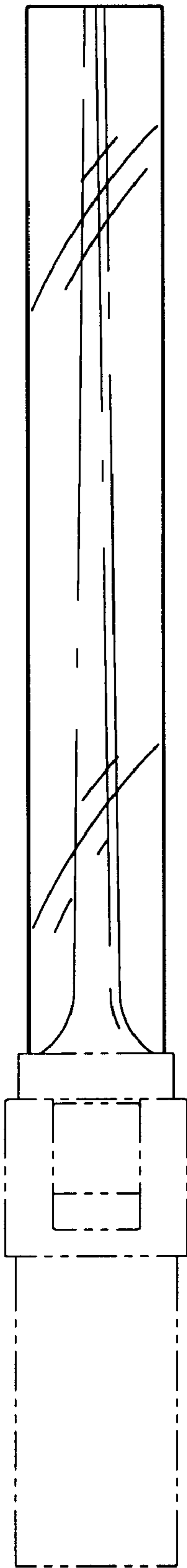


FIG. 9

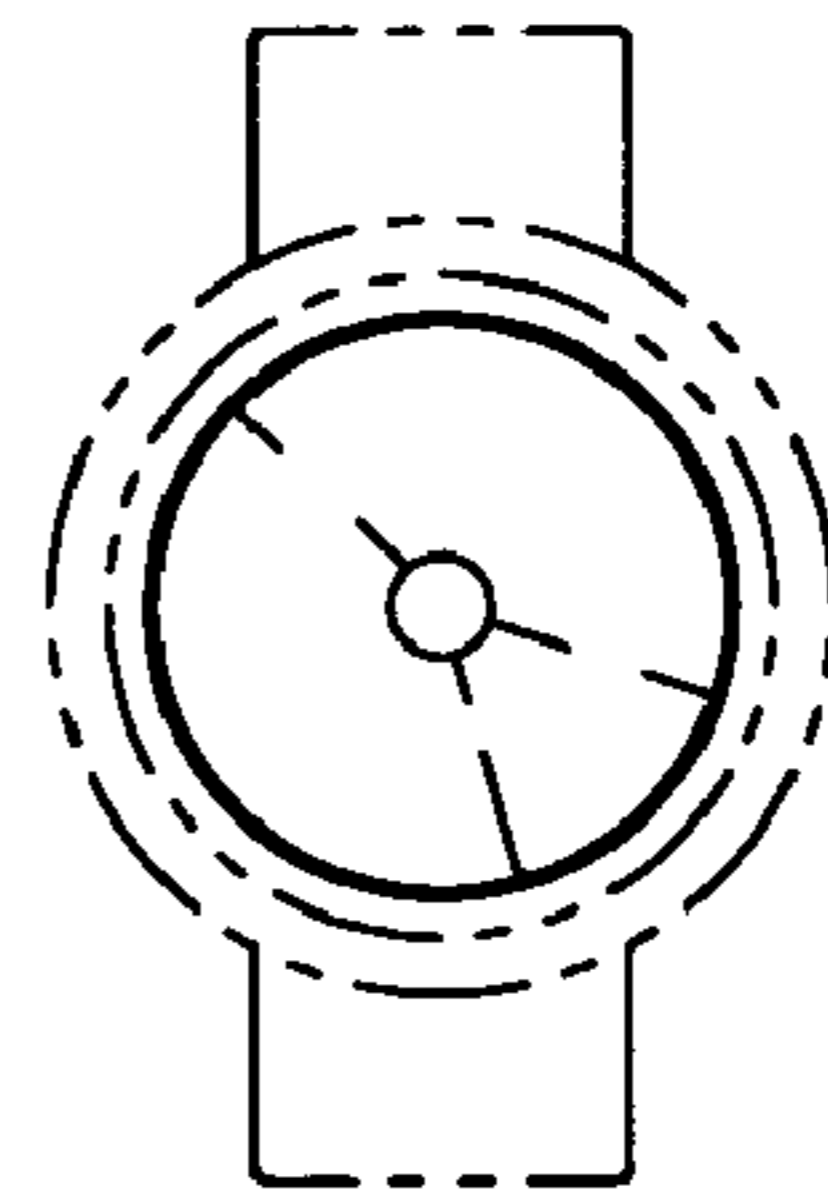


FIG. 10