



US00D425143S

United States Patent [19]
Strickland

[11] **Patent Number: Des. 425,143**

[45] **Date of Patent: ** May 16, 2000**

[54] **PLANTER ACCESSORY FOR CHILD-PROPELLED TRACTOR**

2,751,712 6/1956 Klint 446/427
3,810,593 5/1974 Krysl 446/434
5,429,195 7/1995 Turnis D15/27

[76] Inventor: **Clay Matthew Strickland**, P.O. Box 531, Salemburg, N.C. 28385

OTHER PUBLICATIONS

Tonka Farm Tractor and Trailer Set TOYS "R" US, p. 59, 1993.

[**] Term: **14 Years**

Primary Examiner—Raphael Barkai
Attorney, Agent, or Firm—Mills Law Firm PLLC

[21] Appl. No.: **29/084,371**

[22] Filed: **Mar. 2, 1998**

[57] **CLAIM**

[51] **LOC (7) Cl.** **21-01**

[52] **U.S. Cl.** **D21/561; D15/27**

[58] **Field of Search** D21/71-81, 128, D21/131, 132, 134, 135, 141; D15/27; 446/434, 465, 470, 471, 427; 280/87.01, 87.021, 828, 1.13

The ornamental design for a planter accessory for child-propelled tractor, as shown.

DESCRIPTION

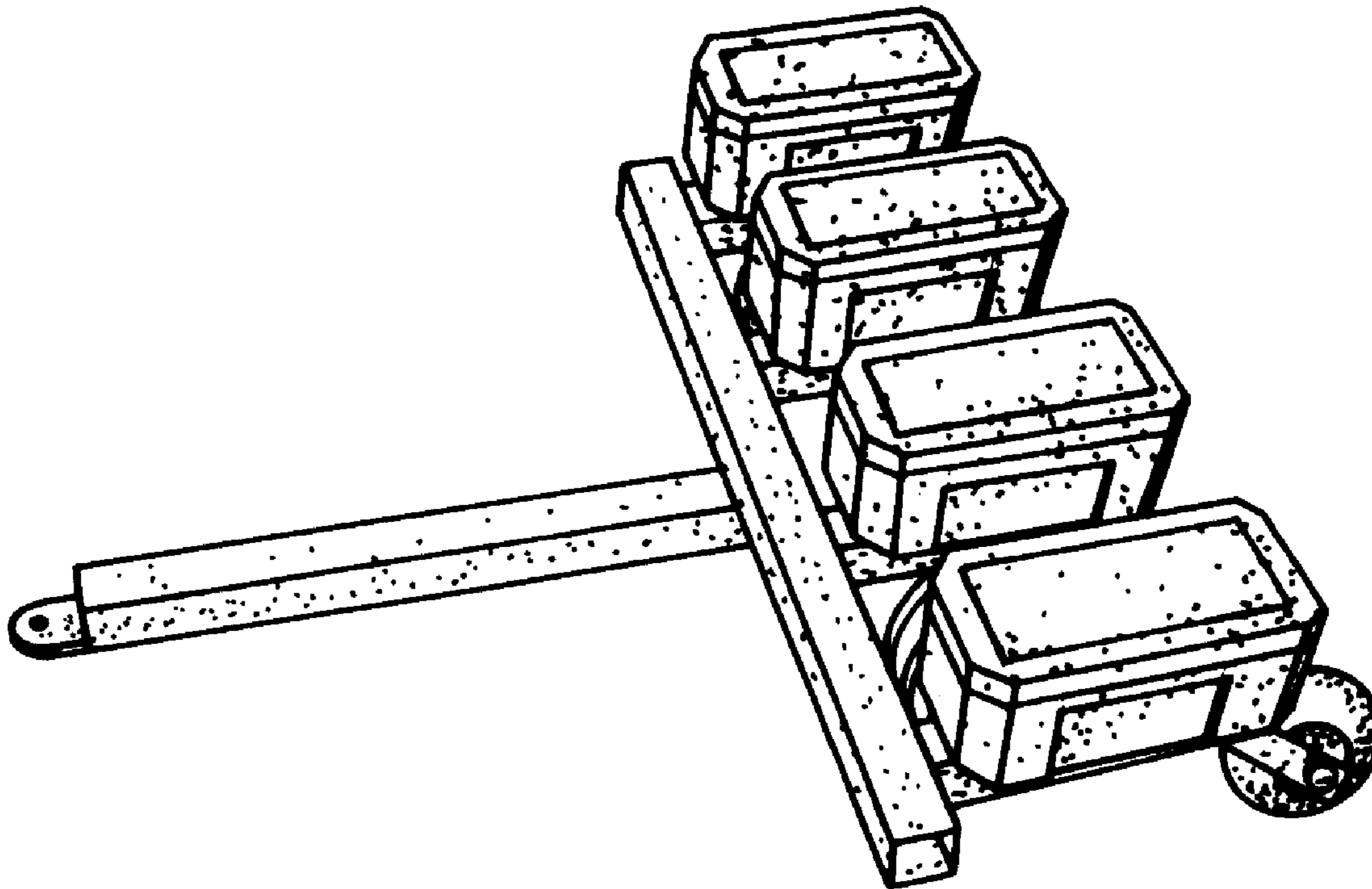
[56] **References Cited**

U.S. PATENT DOCUMENTS

D. 155,867 11/1949 Baggott D21/132
D. 229,707 12/1973 Schmidt D21/132
D. 271,315 11/1983 Nottingham D21/78
D. 274,816 7/1984 Yoder D15/27
D. 371,400 7/1996 Host D21/141

FIG. 1 is a front perspective view of the planter accessory for child-propelled tractors;
FIG. 2 is a rear perspective view thereof;
FIG. 3 is a right side elevational view thereof;
FIG. 4 is a left side elevational view thereof;
FIG. 5 is a top plan view thereof;
FIG. 6 is a bottom plan view thereof; and,
FIG. 7 is a perspective view thereof.

1 Claim, 3 Drawing Sheets



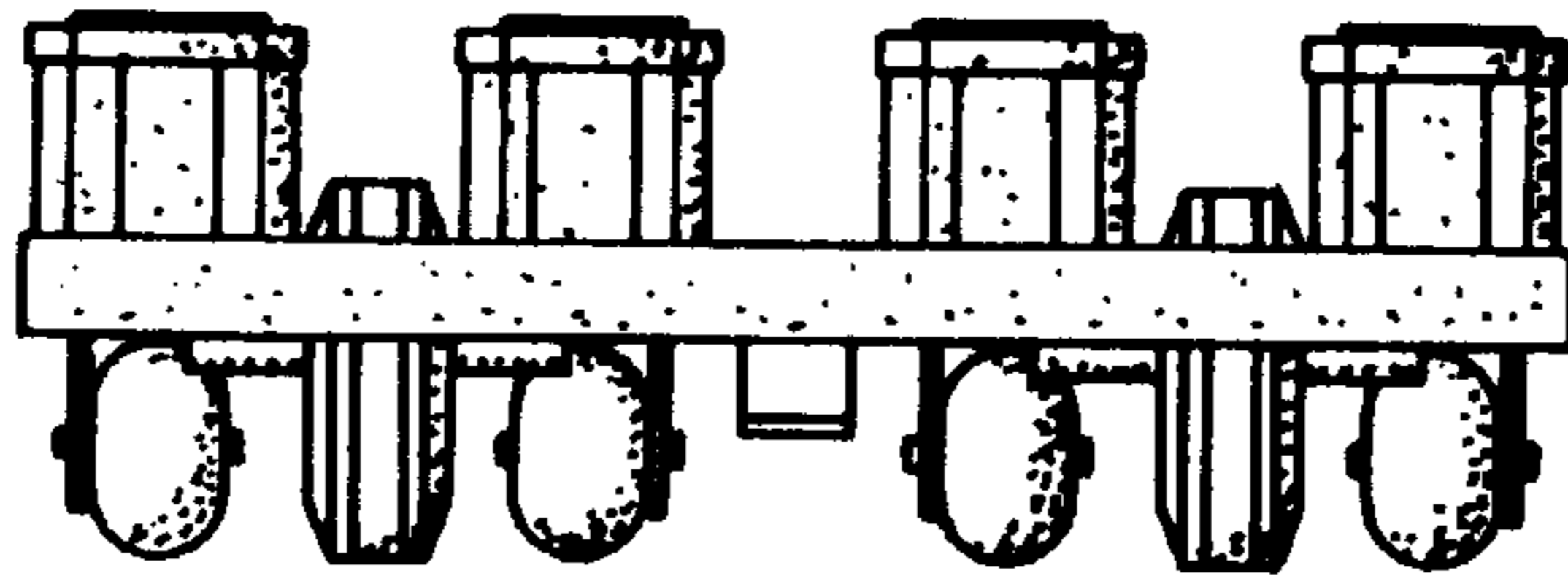


FIG. 1

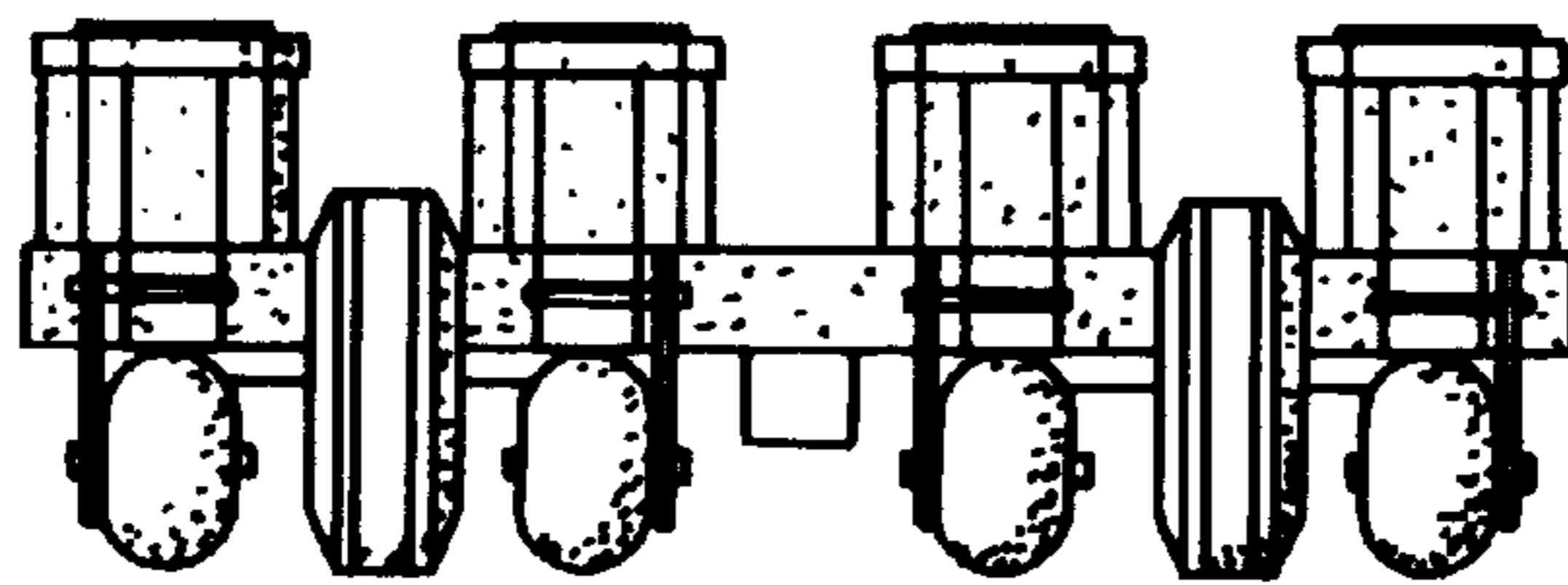


FIG. 2

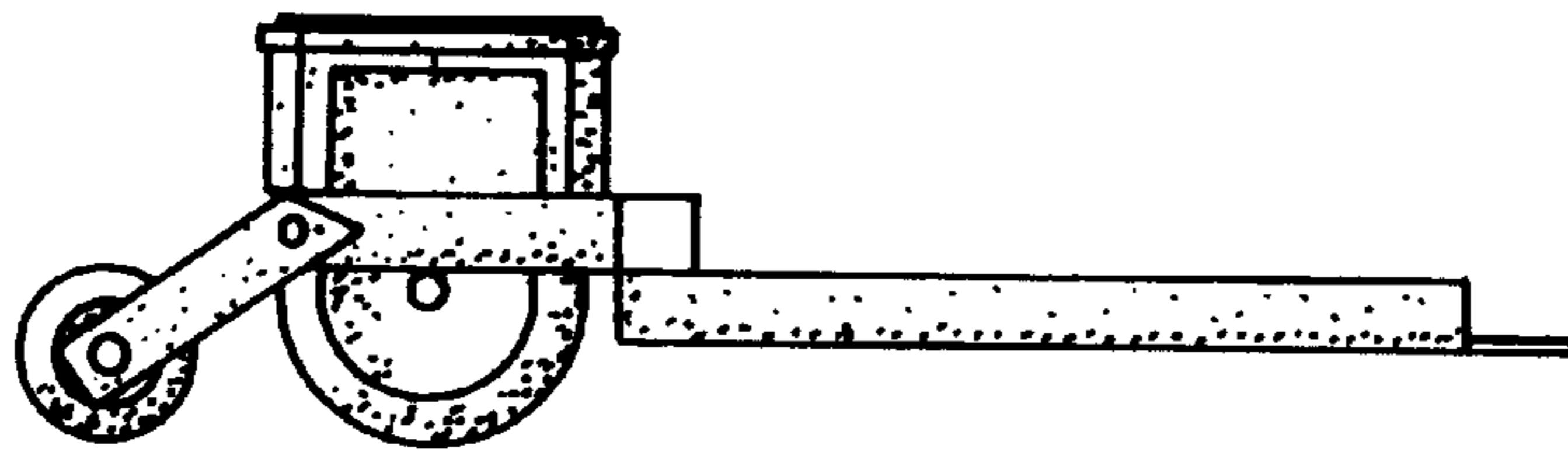


FIG. 3

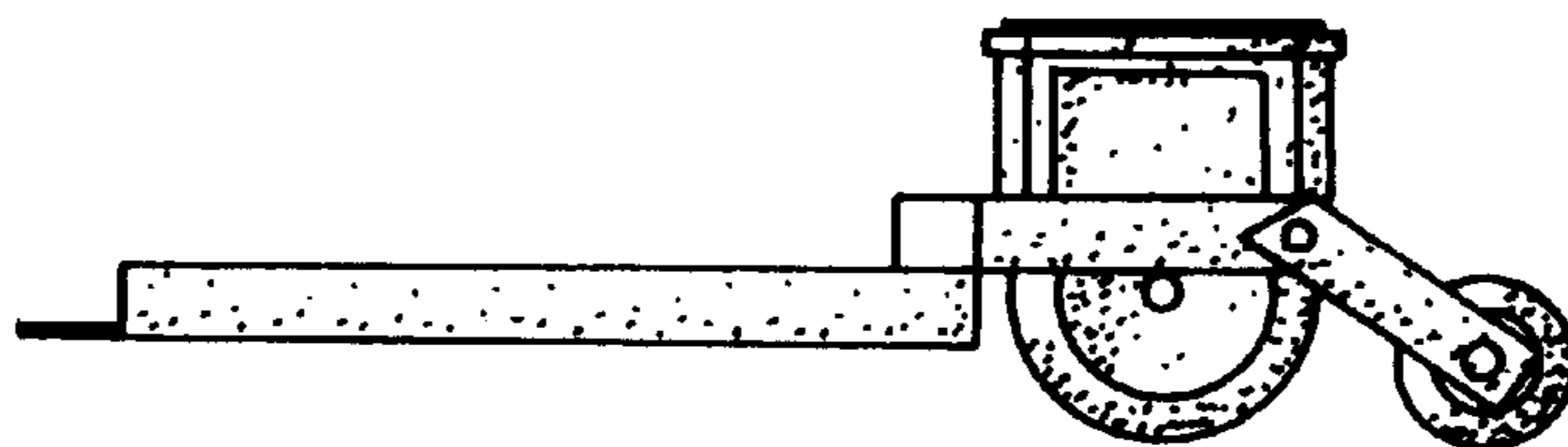


FIG. 4

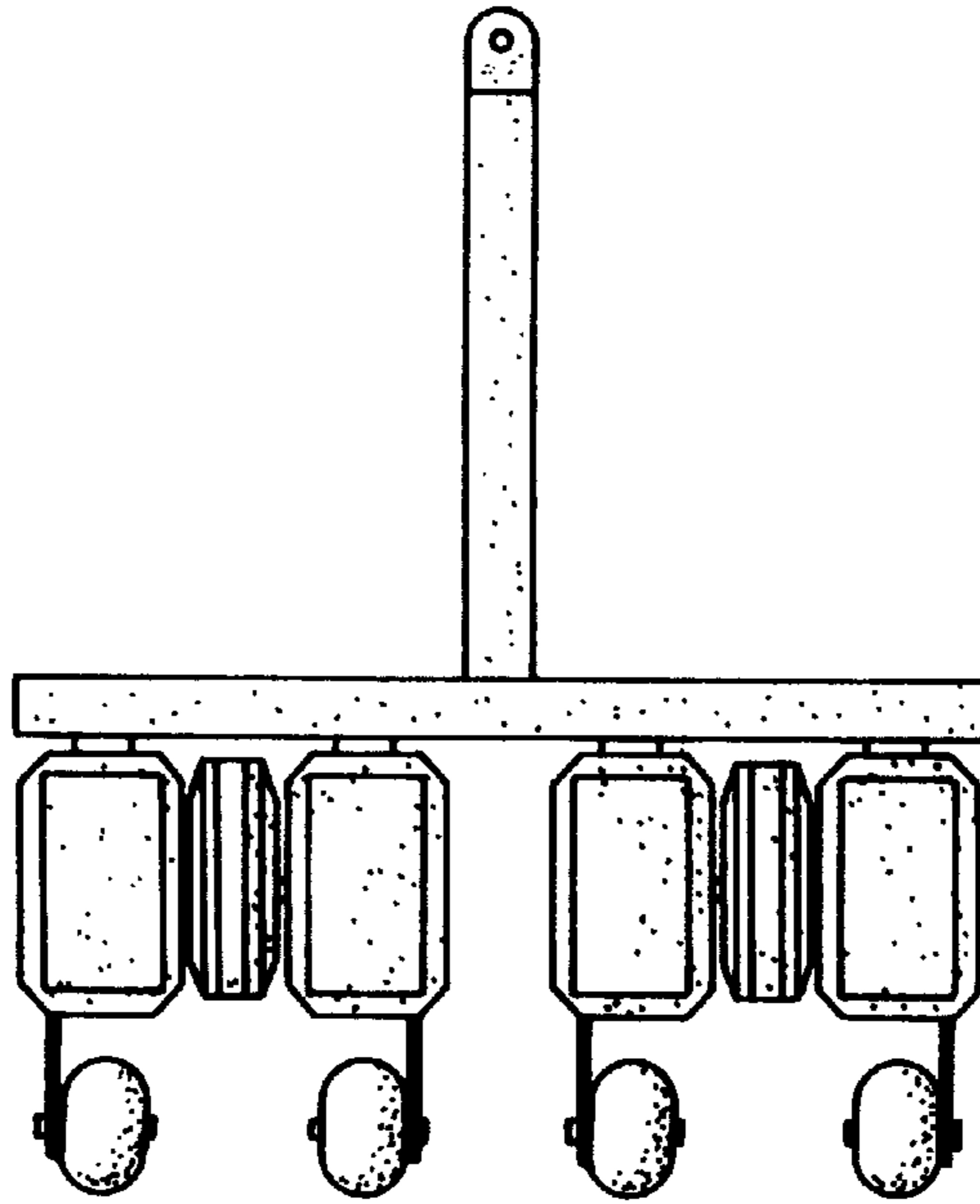


FIG. 5

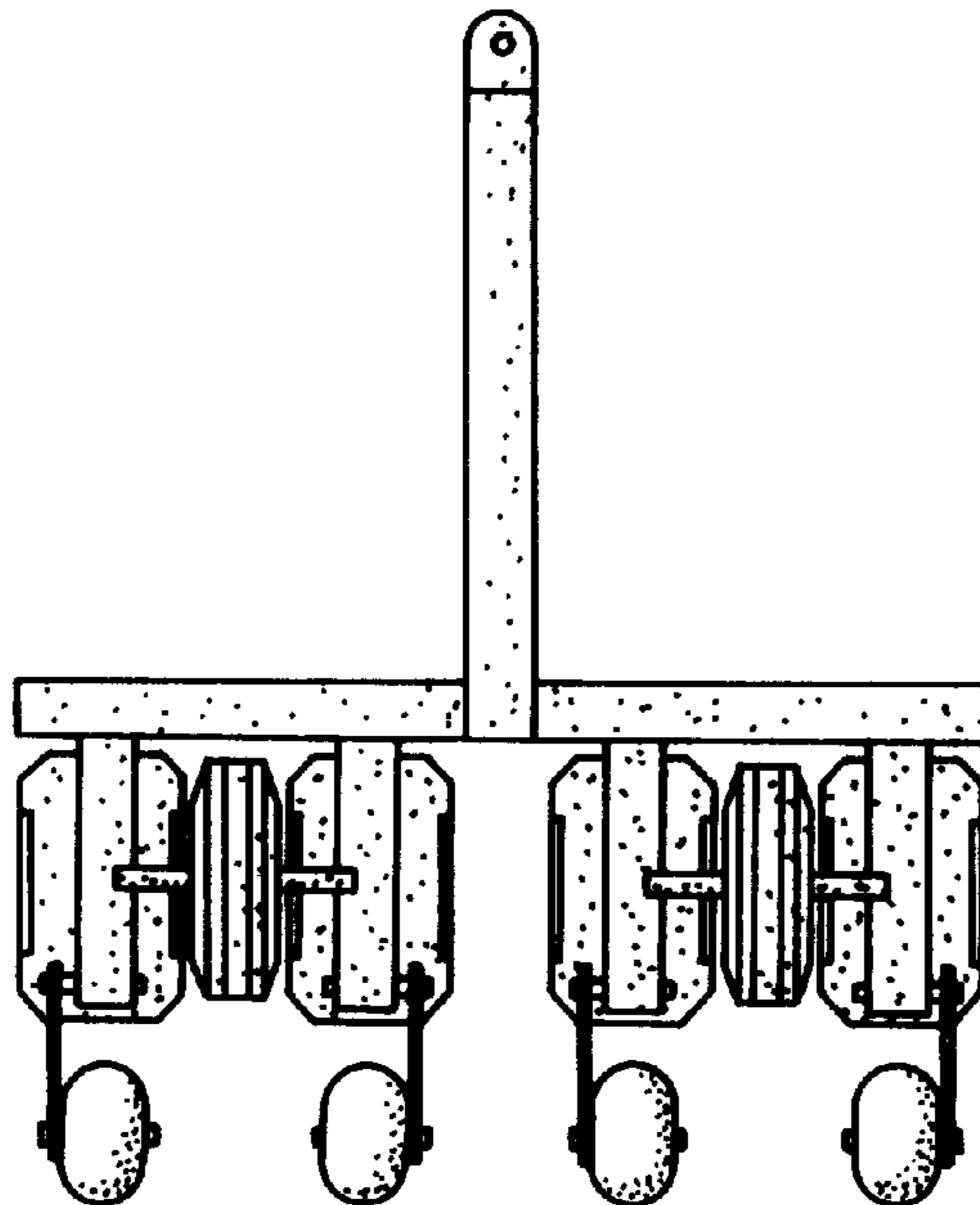


FIG. 6

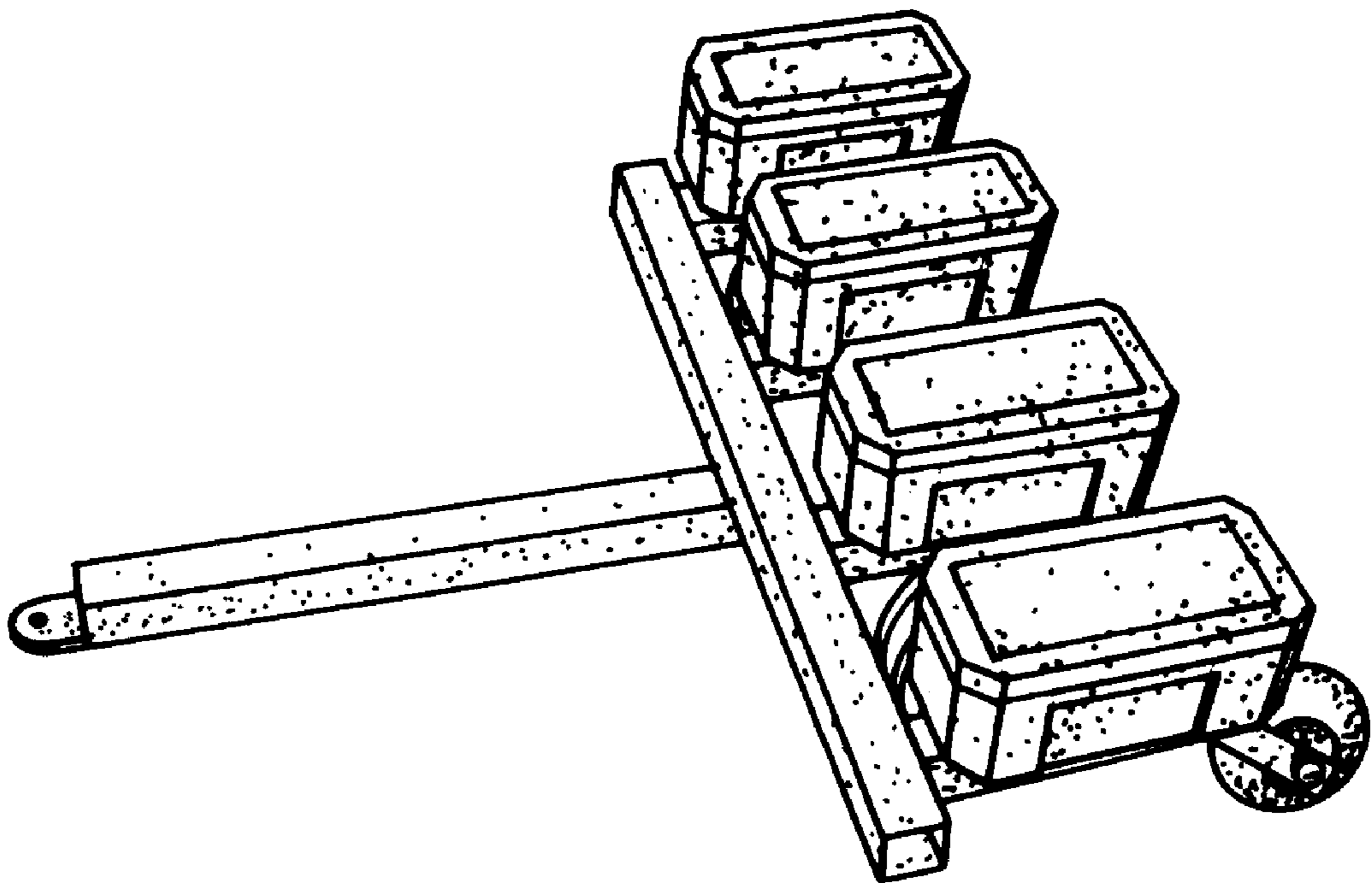


FIG. 7