



US00D425139S

United States Patent [19]

[11] **Patent Number: Des. 425,139**

Michaelson

[45] **Date of Patent: ** May 16, 2000**

[54] **DOLL ROCKER**

Attorney, Agent, or Firm—Gottlieb Rackman & Reisman PC

[76] Inventor: **H. Ward Michaelson**, 4 Whitfield La., Tanglewood Hills, Coram, N.Y. 11727

[57] **CLAIM**

[**] Term: **14 Years**

The ornamental design for a doll rocker, as shown and described herein.

[21] Appl. No.: **29/109,926**

DESCRIPTION

[22] Filed: **Aug. 24, 1999**

[51] **LOC (7) Cl.** **21-01**

[52] **U.S. Cl.** **D21/521; D6/358**

[58] **Field of Search** D21/521, 519, D21/412; D6/348, 345, 351, 358; 446/479, 482, 488

FIG. 1 is a perspective view of the doll rocker; FIG. 2 is a frontal view of the doll rocker; FIG. 3 is a left side view of the doll rocker; FIG. 4 is a top view of the doll rocker; FIG. 5 is a bottom view of the doll rocker; FIG. 6 is a right side view of the doll rocker; FIG. 7 is a backside view of the doll rocker; FIG. 8 is a perspective view of an alternative embodiment of the doll rocker; FIG. 9 is a frontal view of the doll rocker of FIG. 8; FIG. 10 is a left side view of the doll rocker of FIG. 8; FIG. 11 is a top view of the doll rocker of FIG. 8; FIG. 12 is a bottom view of the doll rocker of FIG. 8; FIG. 13 is a right side view of the doll rocker of FIG. 8; and, FIG. 14 is a backside view of the doll rocker of FIG. 8.

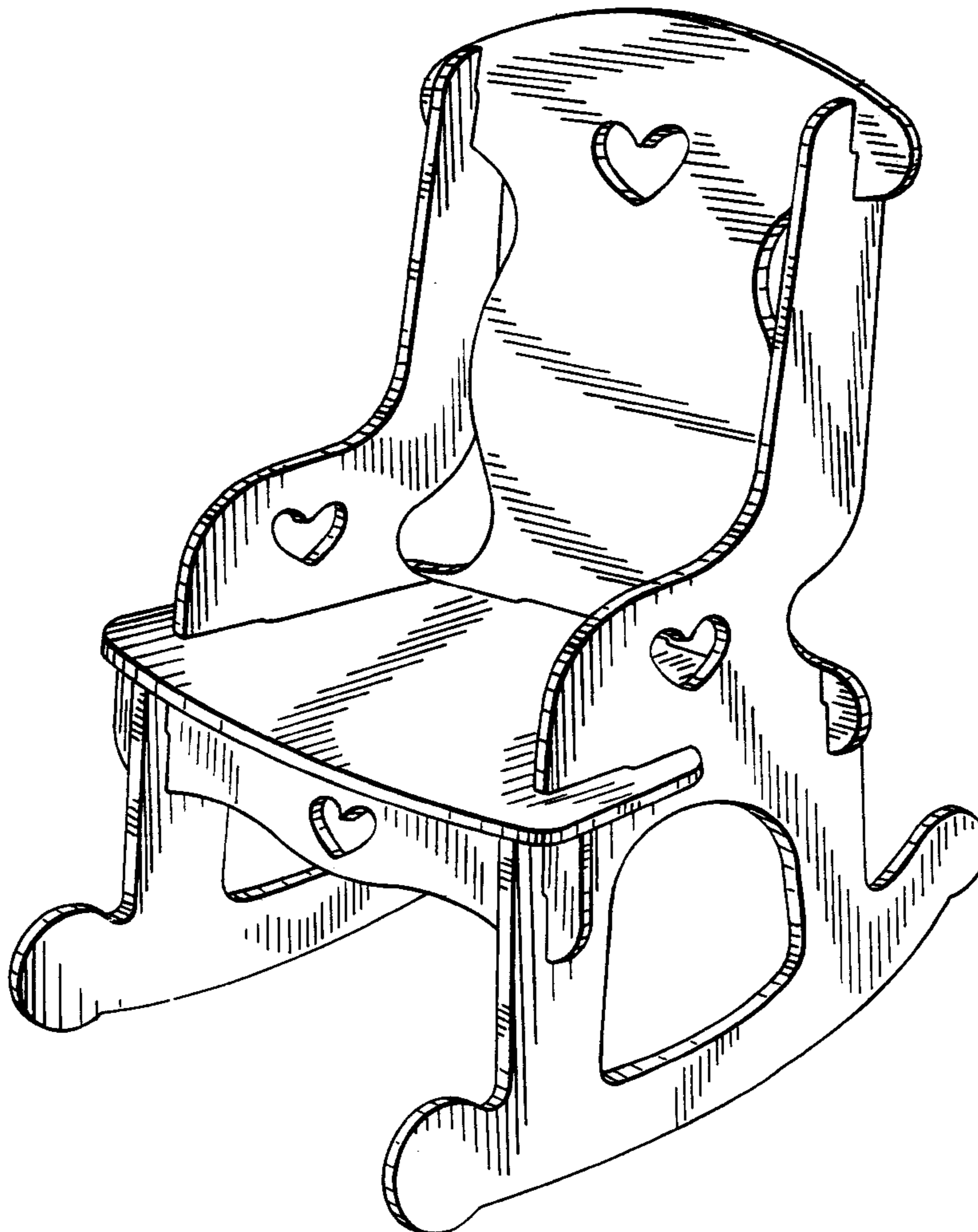
[56] **References Cited**

U.S. PATENT DOCUMENTS

| | | | | |
|------------|--------|----------------|-------|---------|
| D. 289,234 | 4/1987 | Hoult | | D6/348 |
| D. 295,432 | 4/1988 | Baranek | | D21/521 |
| D. 301,091 | 5/1989 | Kimball | | D6/348 |
| D. 319,929 | 9/1991 | Smith | | D6/348 |
| D. 324,961 | 3/1992 | Gandy | | D6/348 |
| D. 335,224 | 5/1993 | Freeman et al. | | D6/348 |

Primary Examiner—Raphael Barkai

1 Claim, 8 Drawing Sheets



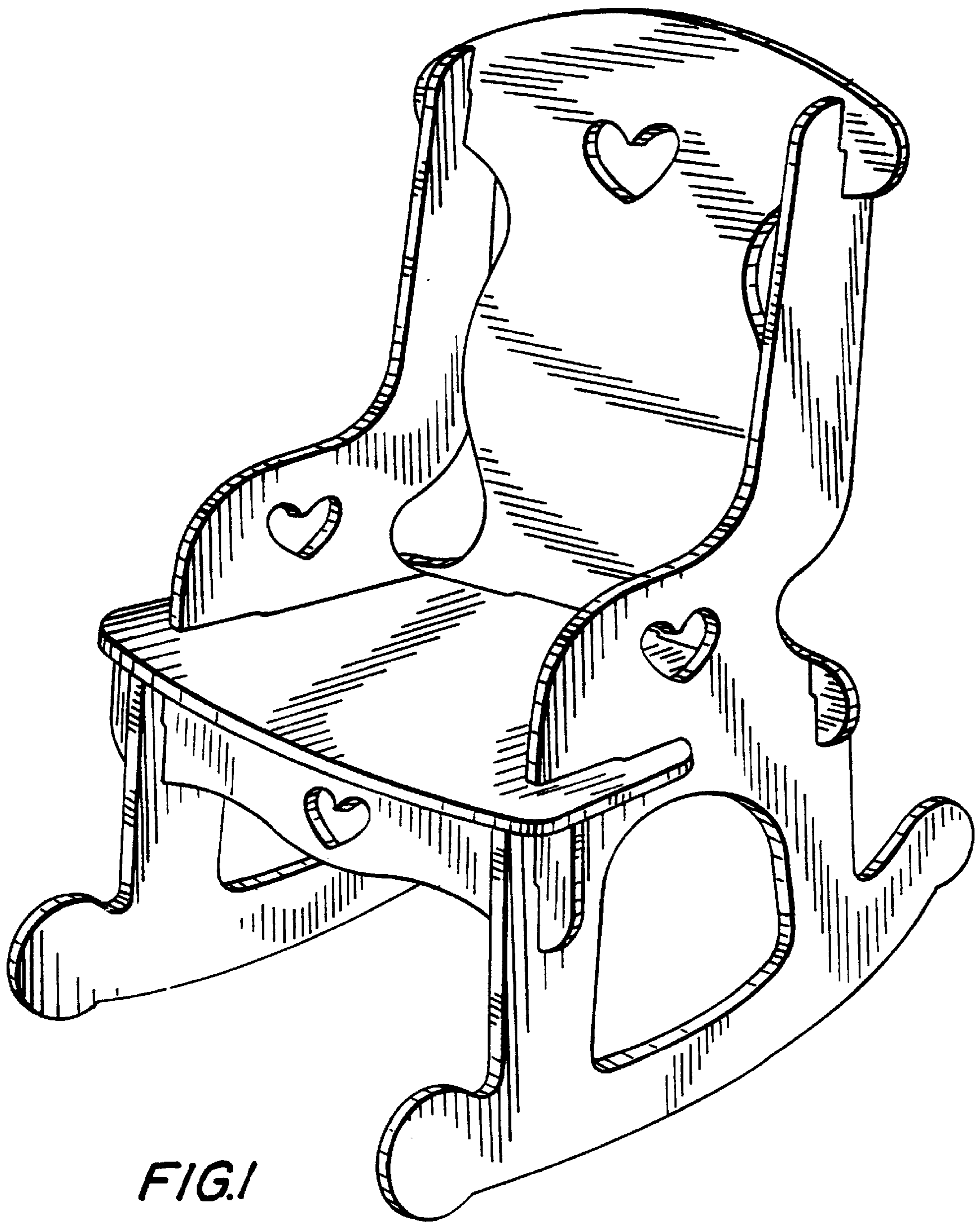


FIG. 1

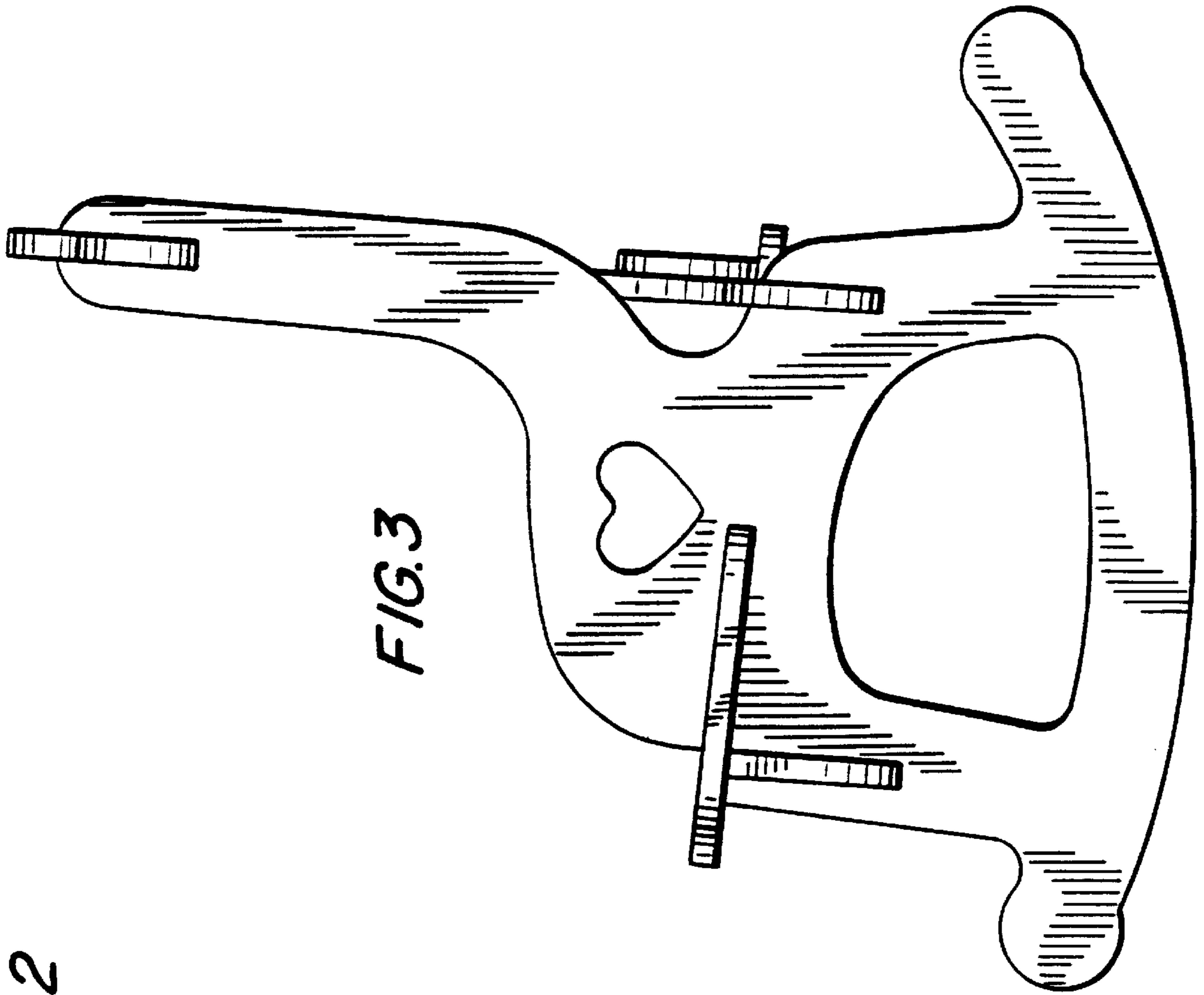


FIG. 3

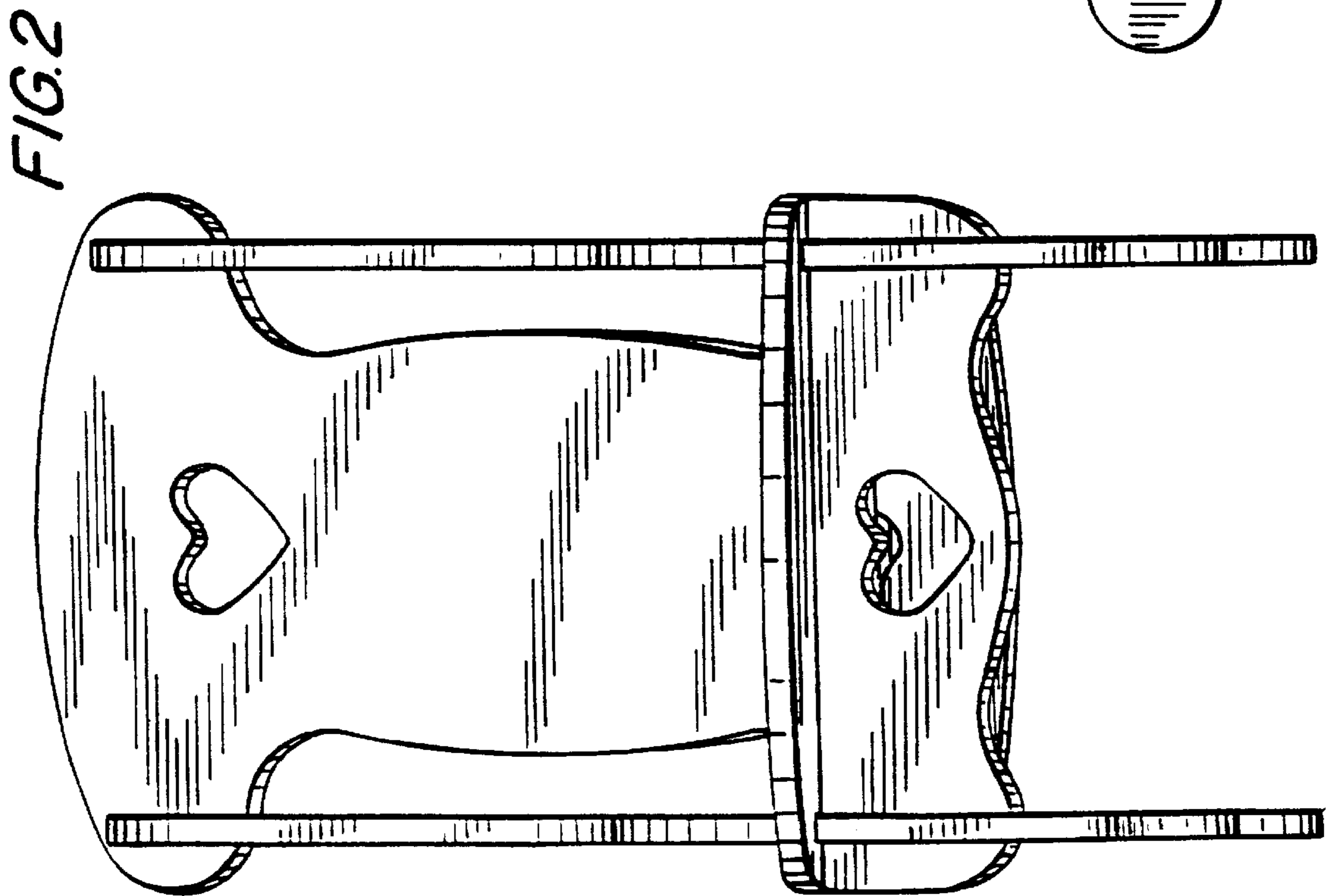


FIG. 2

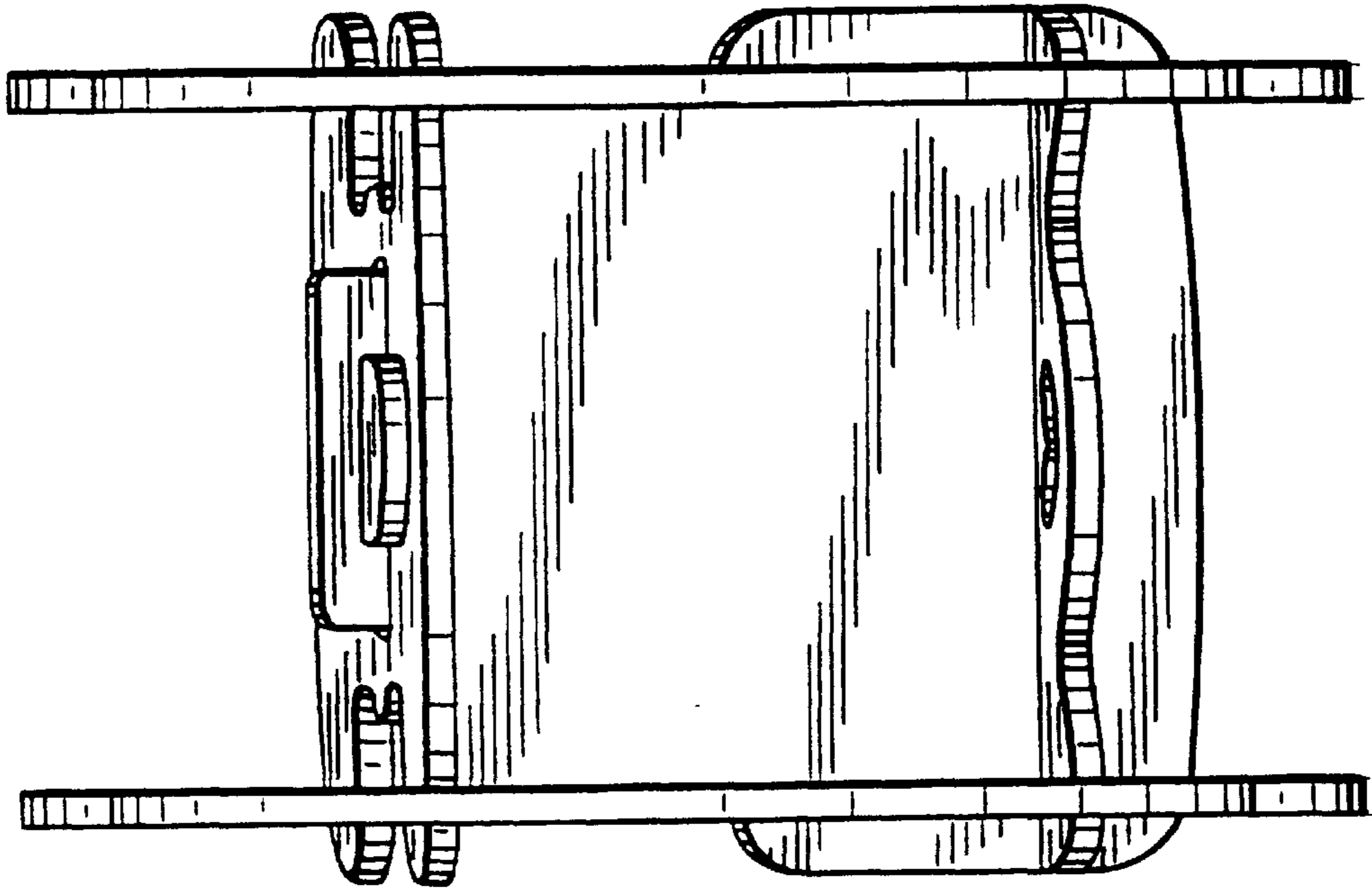


FIG. 5

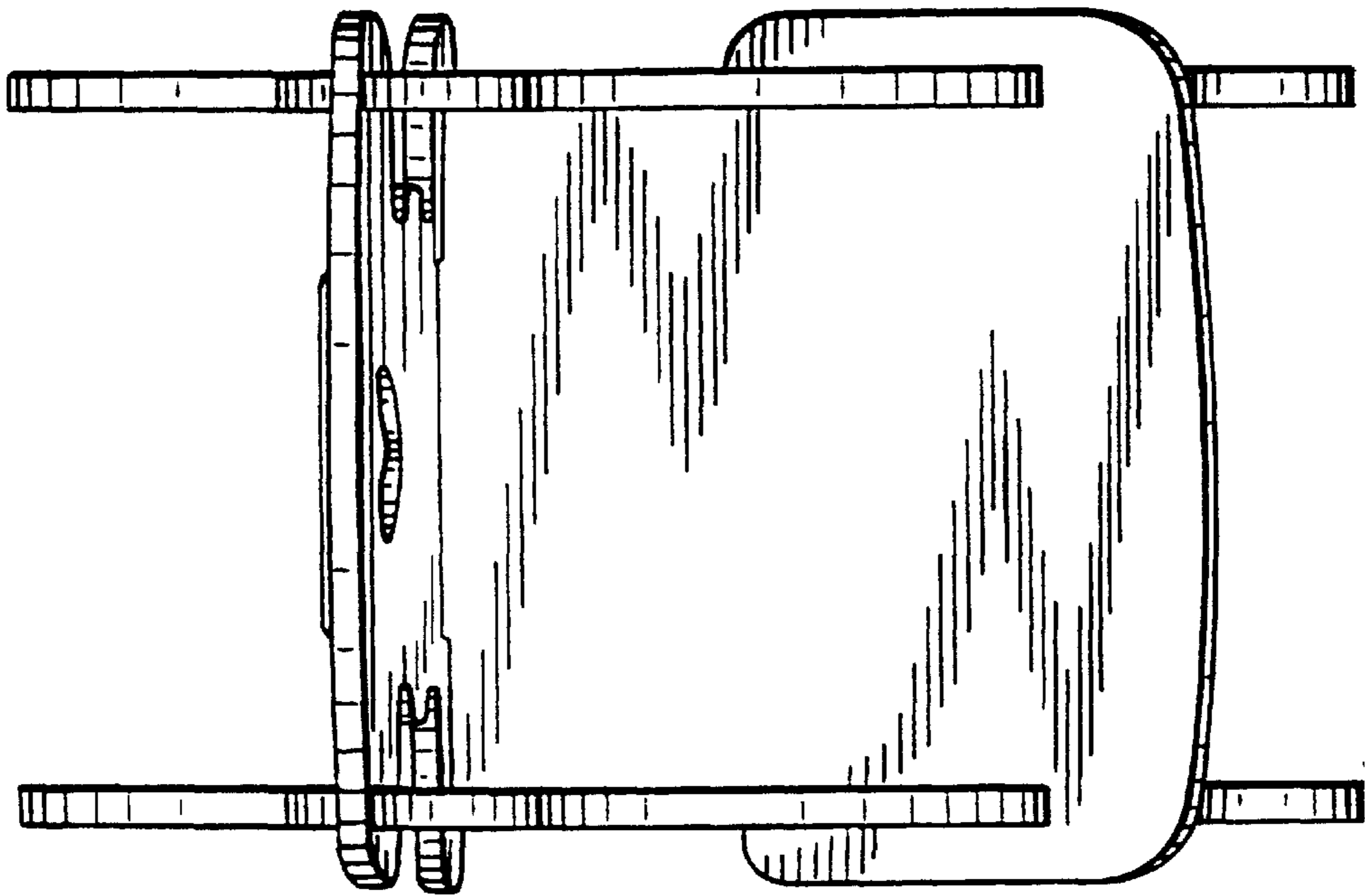


FIG. 4

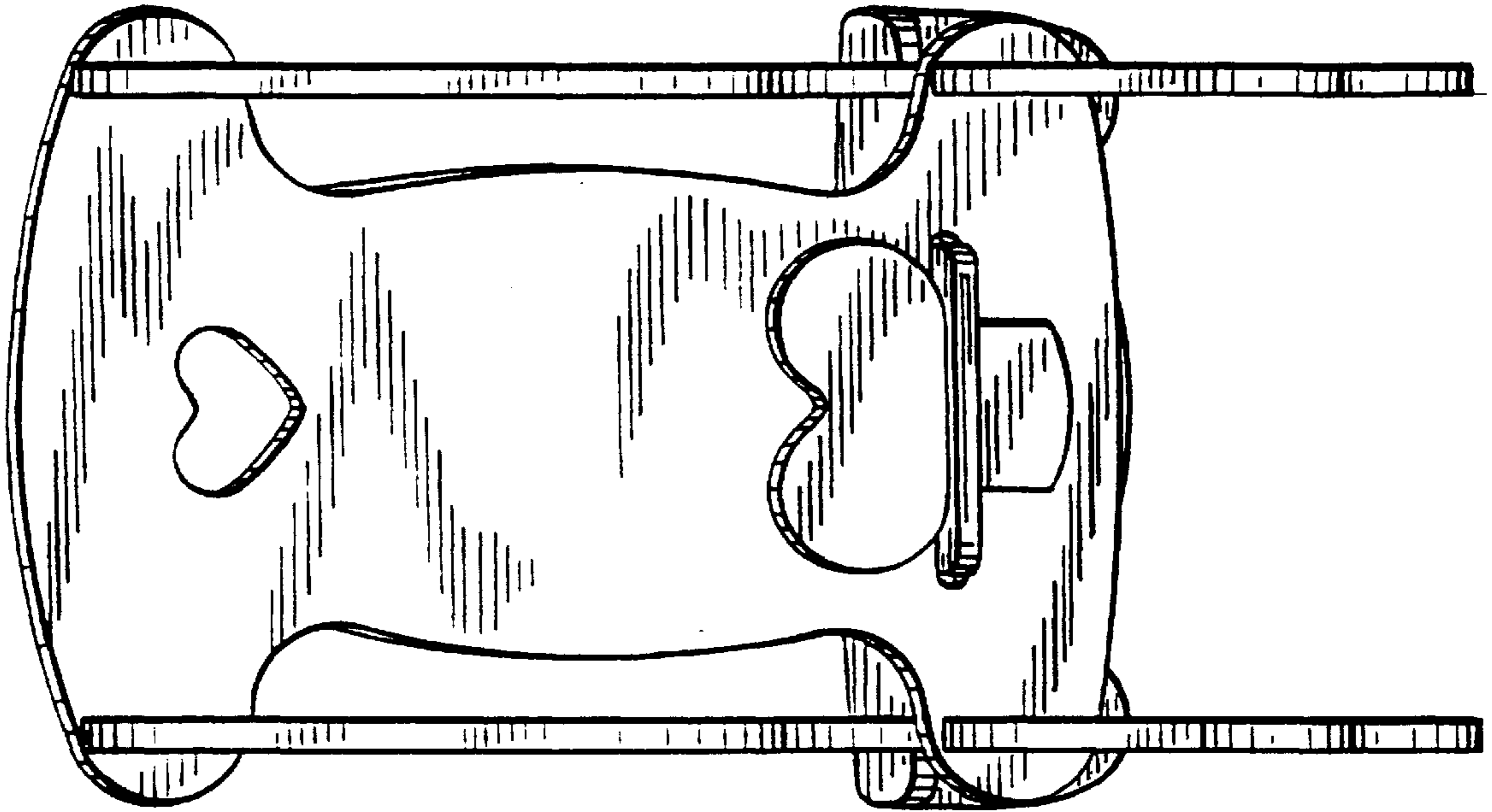


FIG. 7

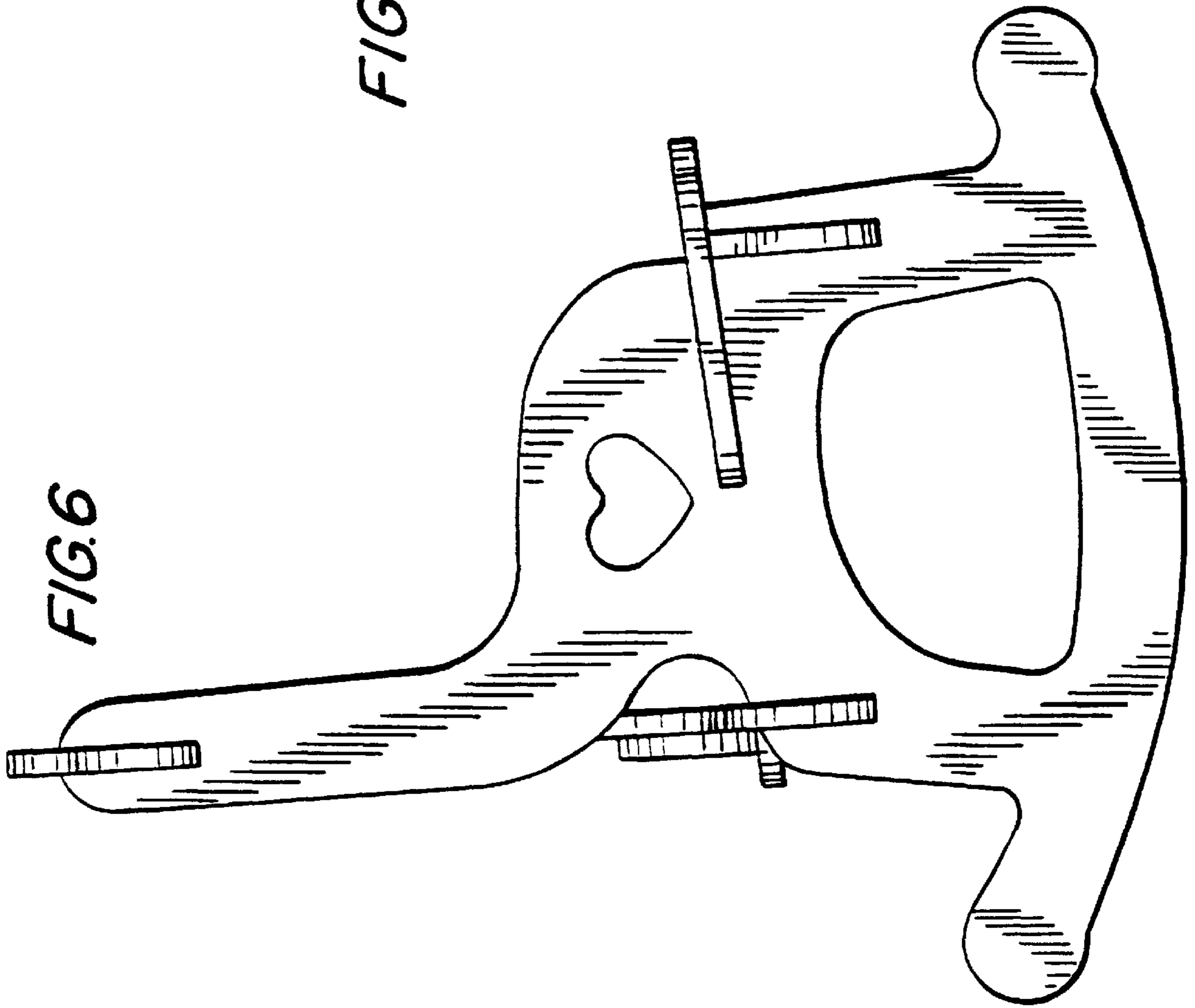


FIG. 6

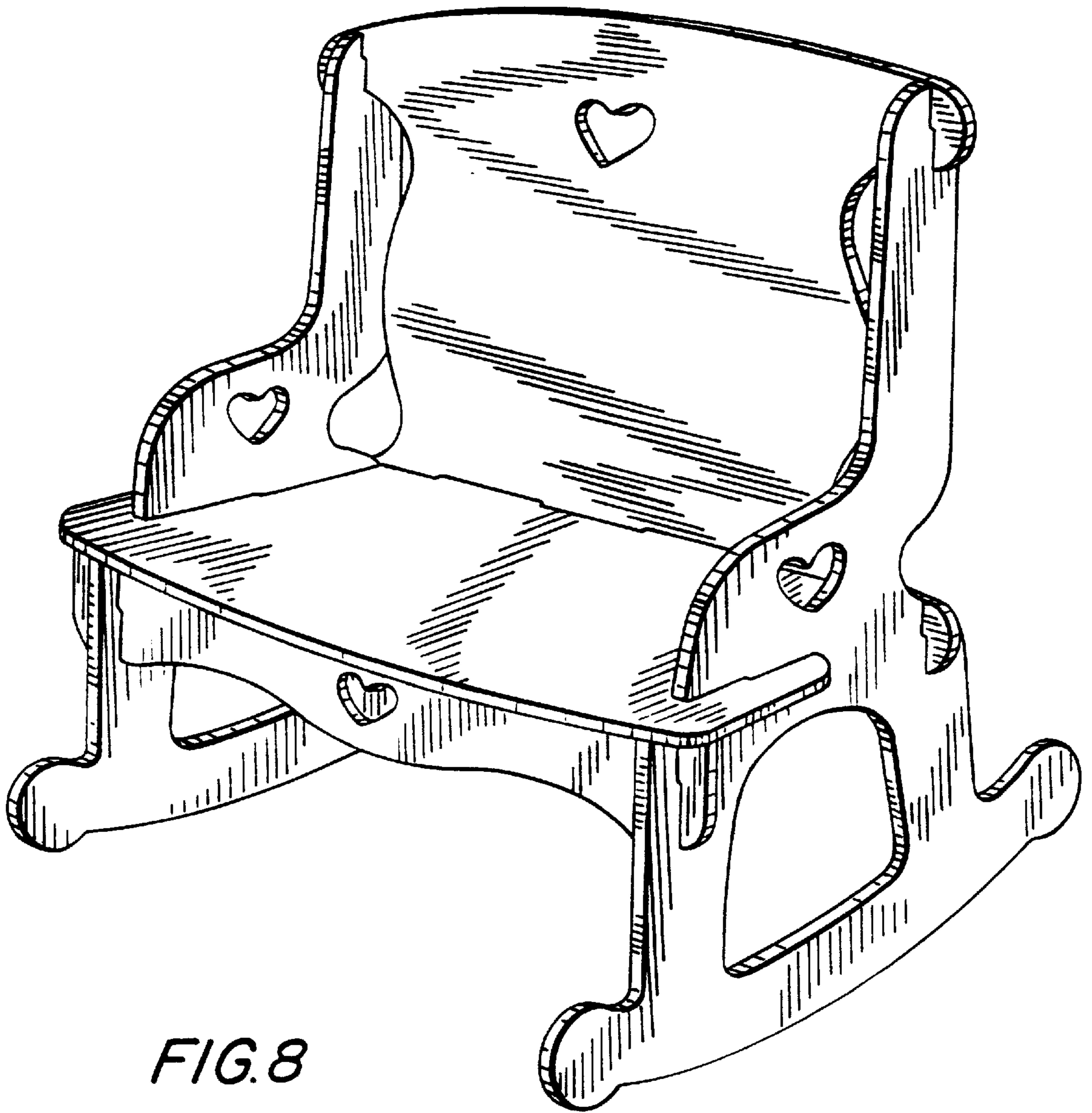


FIG. 8

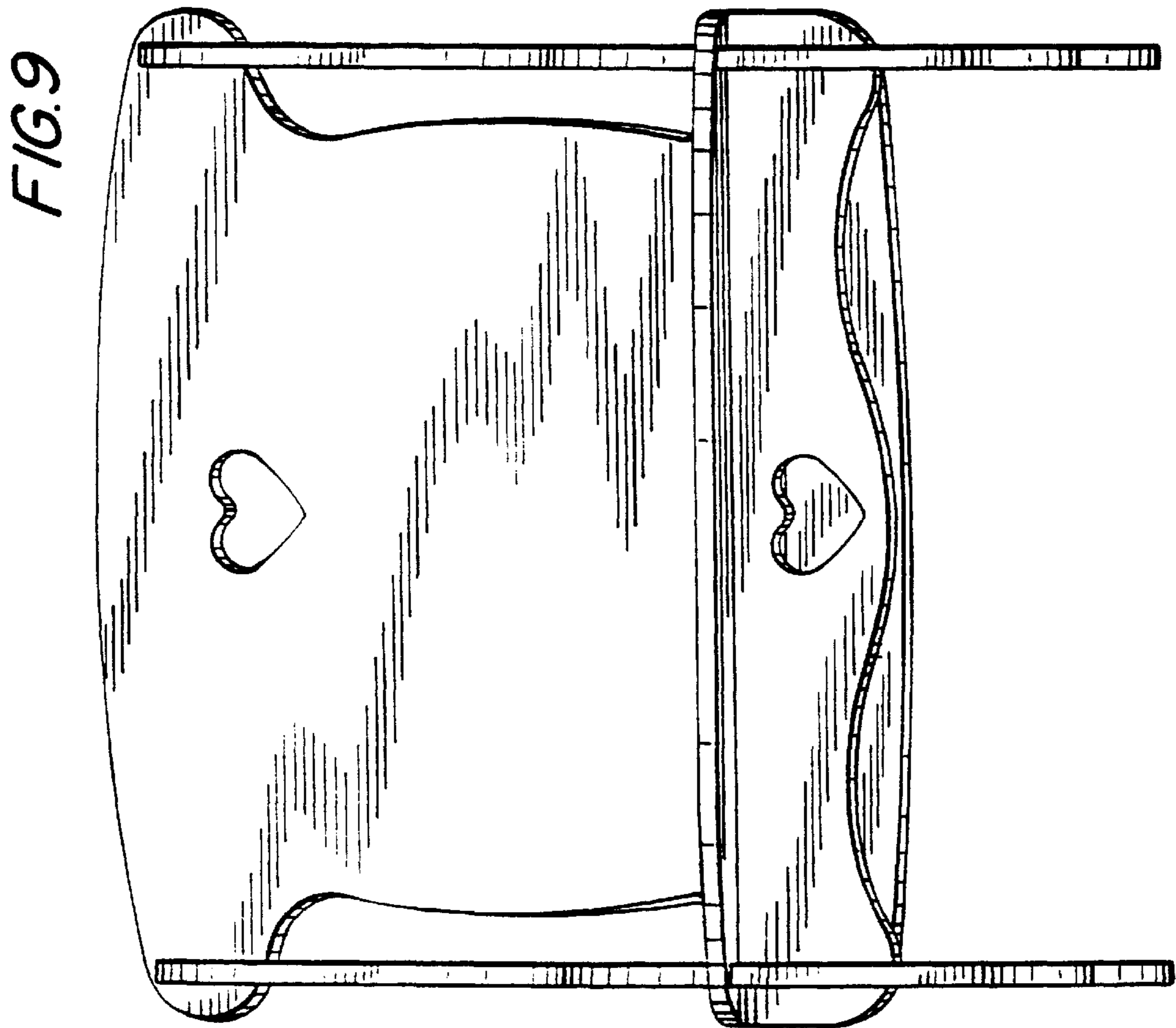


FIG. 9

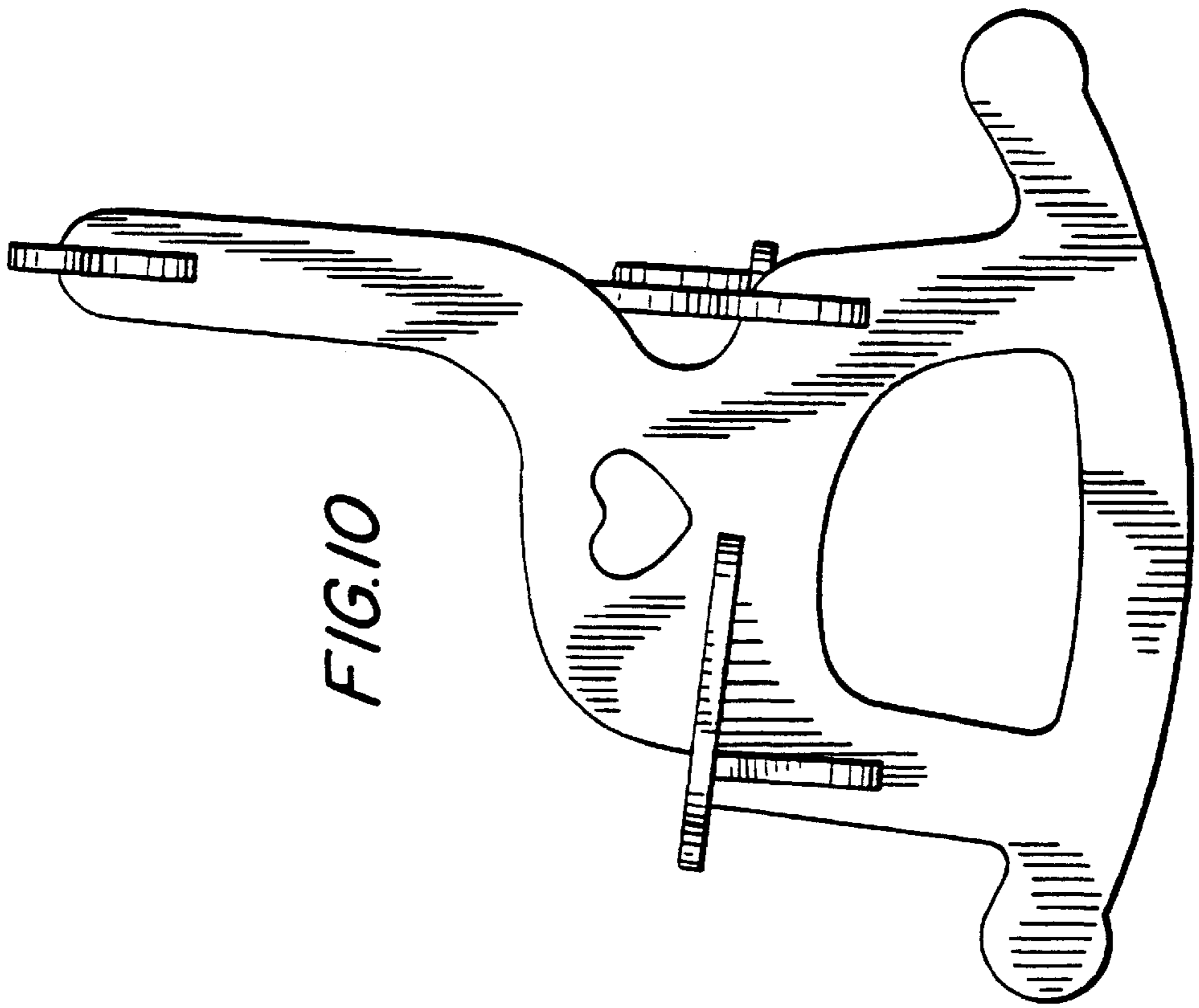


FIG. 10

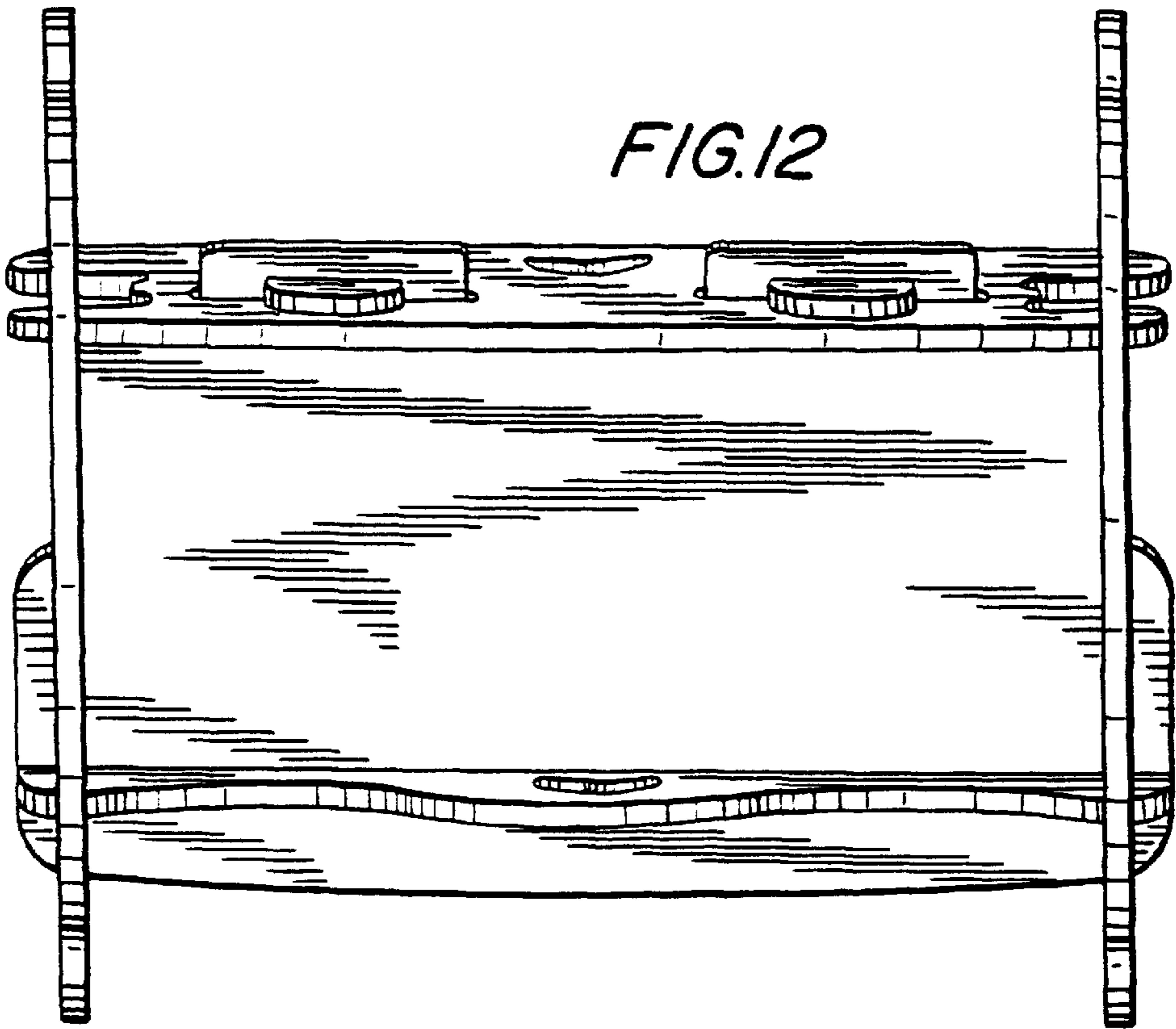
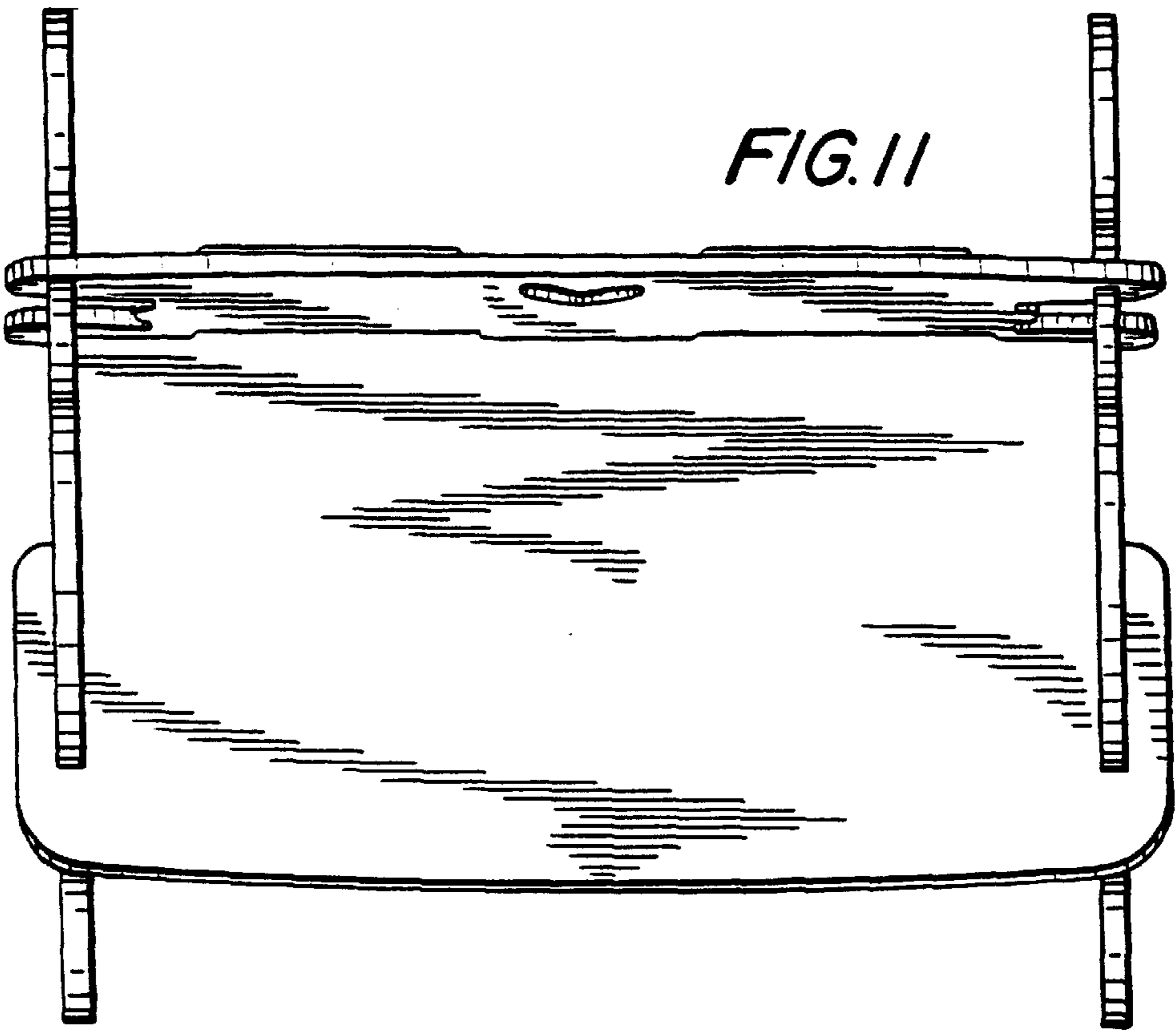


FIG.14

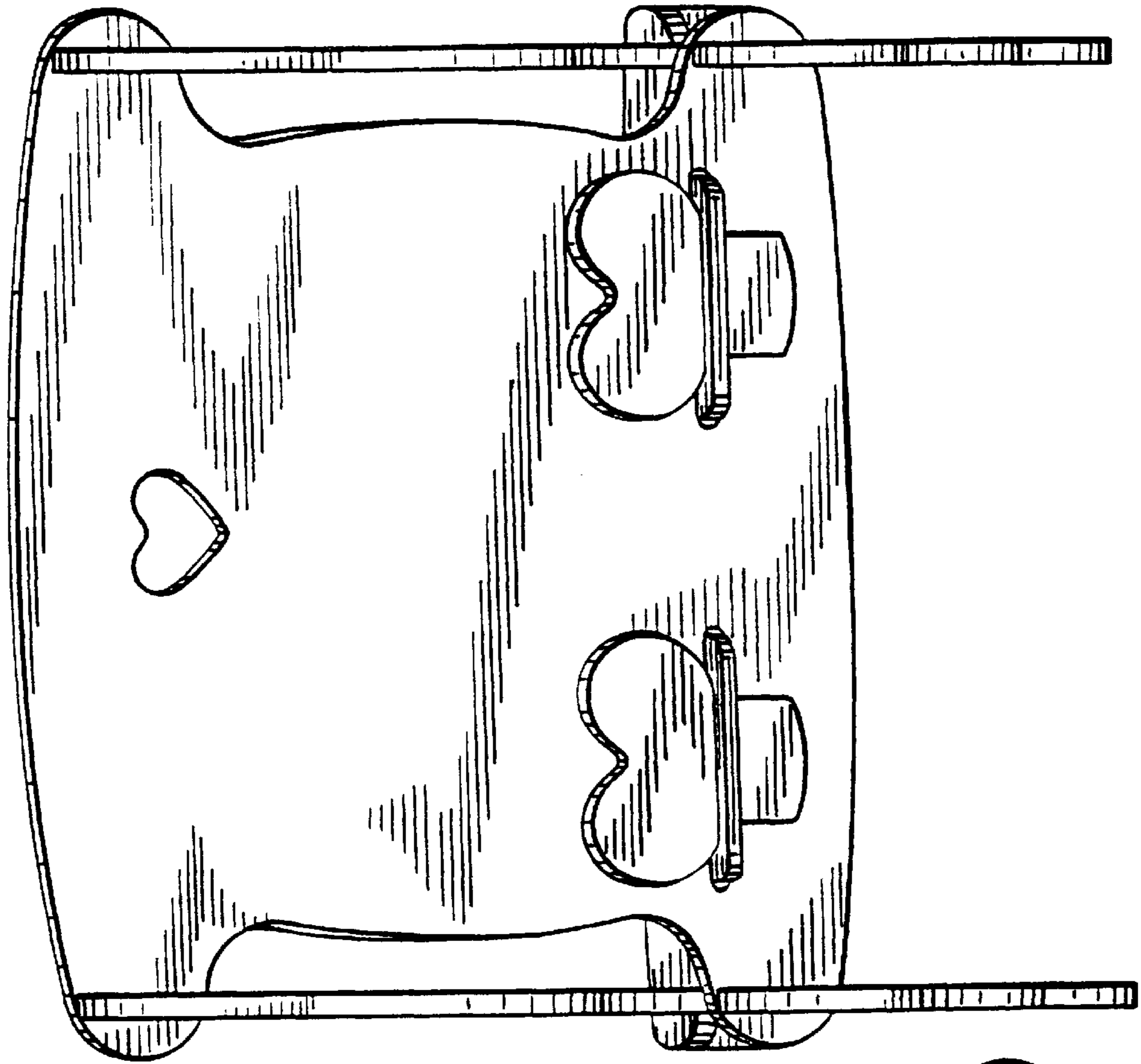


FIG.13

