



US00D425138S

United States Patent [19] Haddad

[11] Patent Number: Des. 425,138

[45] Date of Patent: ** May 16, 2000

[54] **MODULAR, RECONFIGURABLE
EDUCATIONAL SCULPTURE**

[76] Inventor: **Haitham N. Haddad**, 4010 Elm St.,
Atlanta, Ga. 30341

[**] Term: **14 Years**

[21] Appl. No.: **29/084,269**

[22] Filed: **Feb. 27, 1998**

[51] **LOC (7) Cl.** **21-01**

[52] **U.S. Cl.** **D21/480; D21/479**

[58] **Field of Search** D21/478-480,
D21/489, 491; 446/125, 124, 120, 112;
273/153 R, 157 R, 236, 241, 290; D19/59,
62; D11/131, 157

[56] **References Cited**

U.S. PATENT DOCUMENTS

D. 108,659	3/1938	Koerschgen	D21/480
D. 138,214	7/1944	Miller	D21/478
D. 238,698	2/1976	Cook	D21/480
D. 327,511	6/1992	Castillo	D21/479 X
D. 405,481	2/1999	Sholin	D21/479
1,371,619	3/1921	Greenstreet	.	
2,539,765	1/1951	Wold	35/22

3,993,313	11/1976	Tillotson	273/130
4,138,116	2/1979	Siders, Jr.	273/157 R
4,436,309	3/1984	Barlow et al.	273/157 R X
4,551,110	11/1985	Selvage et al.	446/118
5,035,666	7/1991	Kang	446/118
5,378,185	1/1995	Ban	446/124
5,482,491	1/1996	Kichijyo	446/112

Primary Examiner—Dominic Simone
Attorney, Agent, or Firm—Kilpatrick Stockton LLP;
Mitchell G. Stockwell

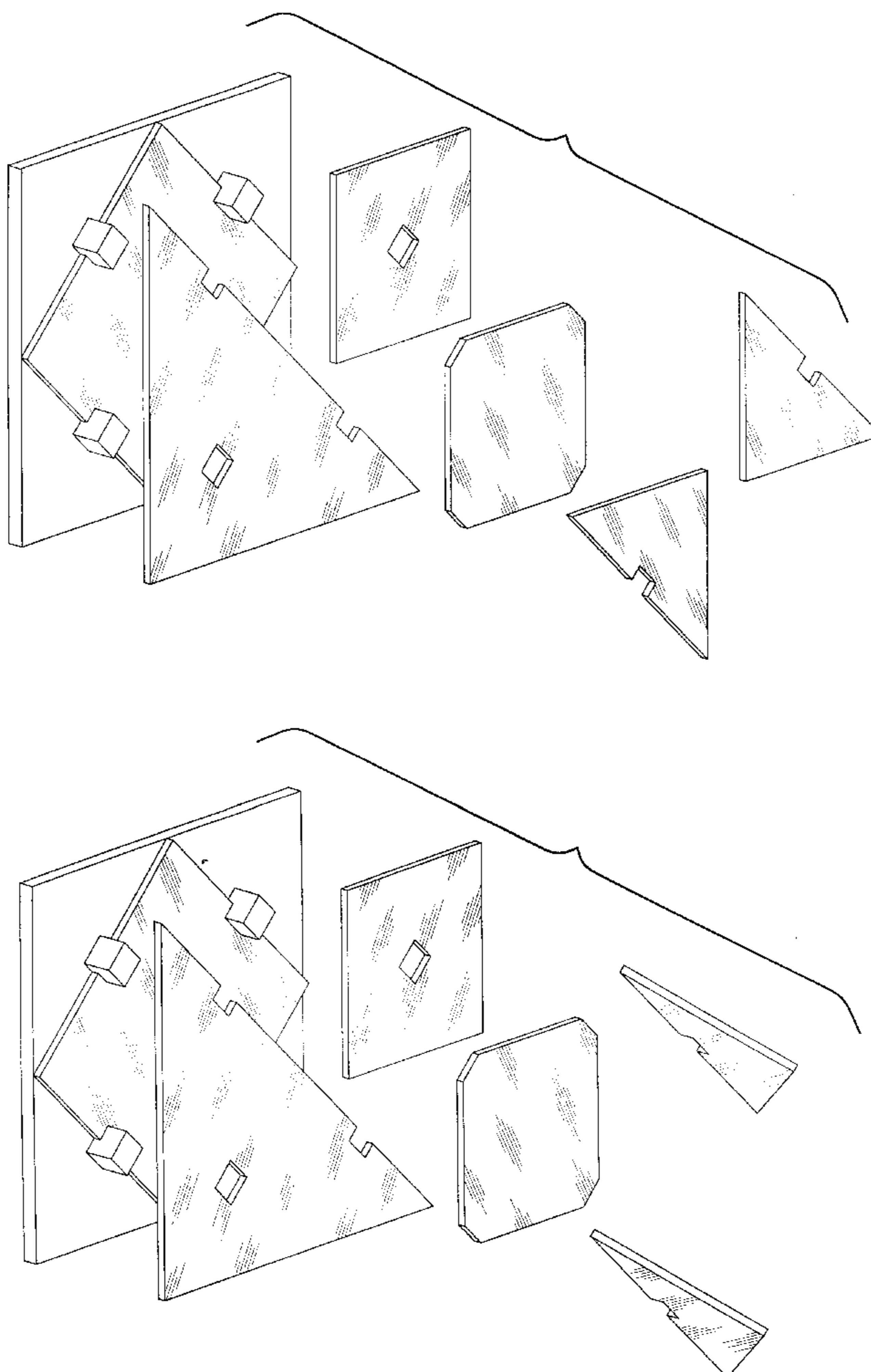
[57] **CLAIM**

The ornamental design for a modular, reconfigurable educational sculpture, as shown and described.

DESCRIPTION

FIG. 1 is an exploded perspective view of a modular reconfigurable educational sculpture showing my new design;
FIG. 2 is a perspective view thereof, in a fully assembled condition;
FIG. 3 is an exploded perspective view of FIG. 1, the pieces in an alternative arrangement; and,
FIG. 4 is a perspective view of FIG. 3, in a fully assembled condition.

1 Claim, 2 Drawing Sheets



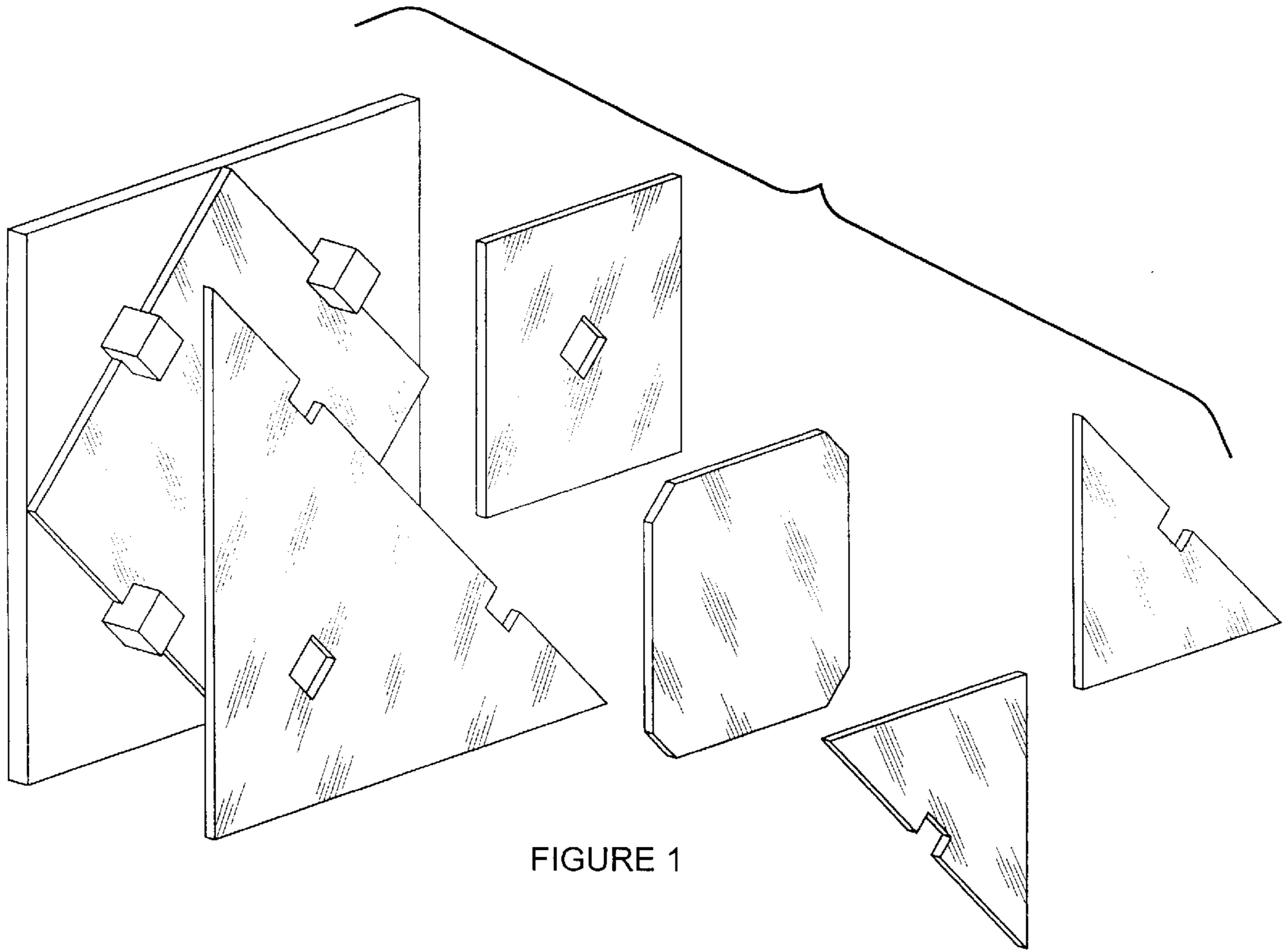


FIGURE 1

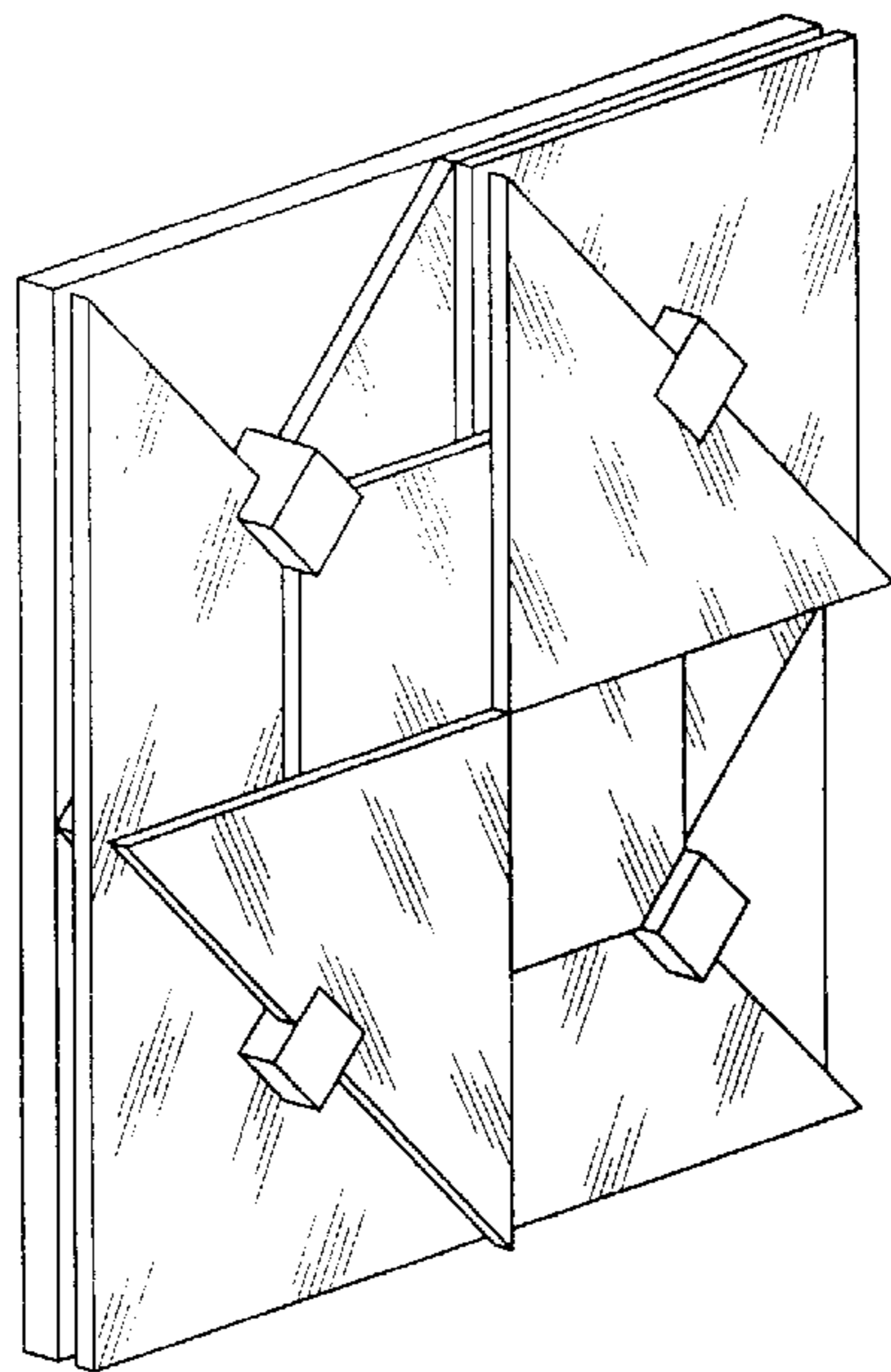


FIGURE 2

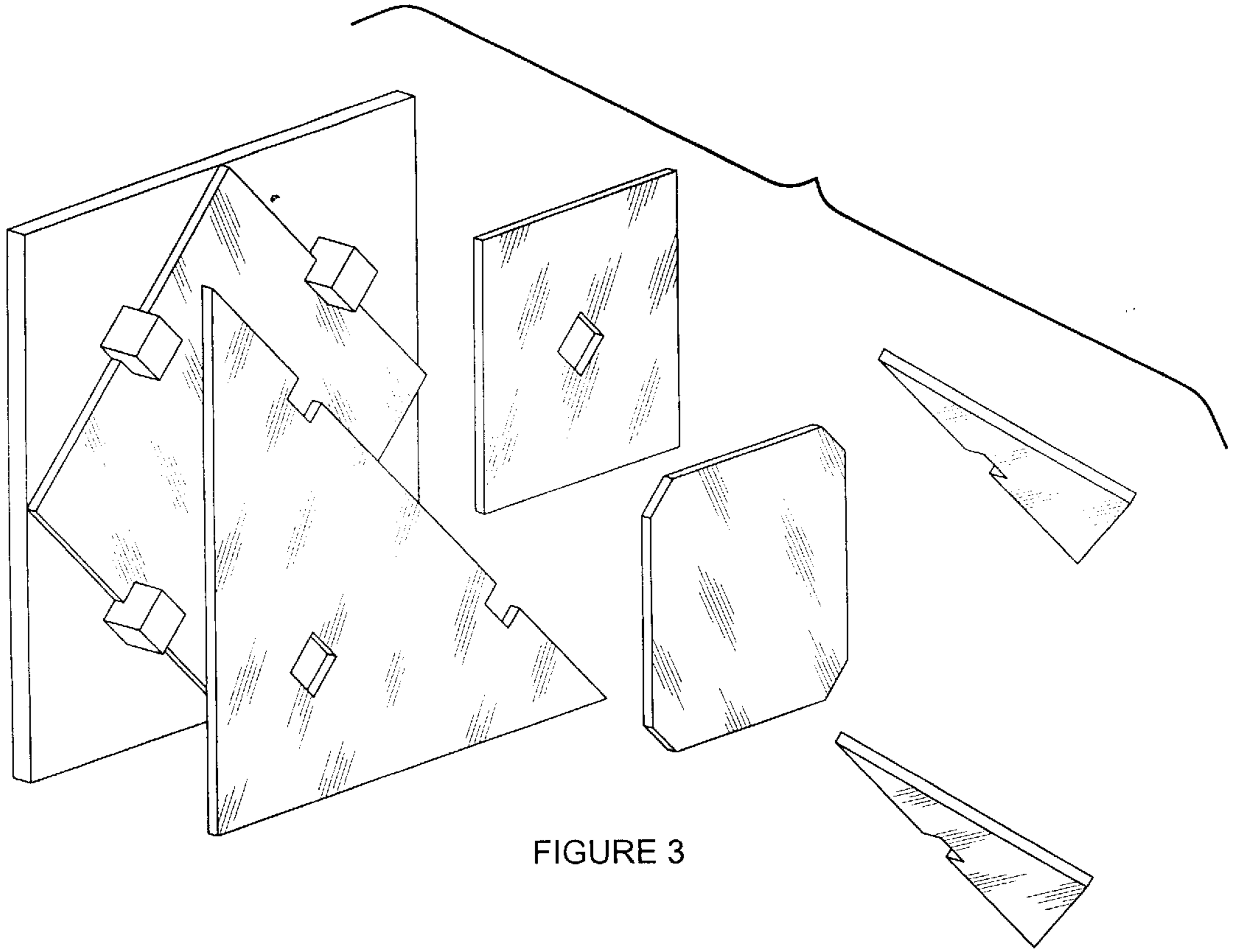


FIGURE 3

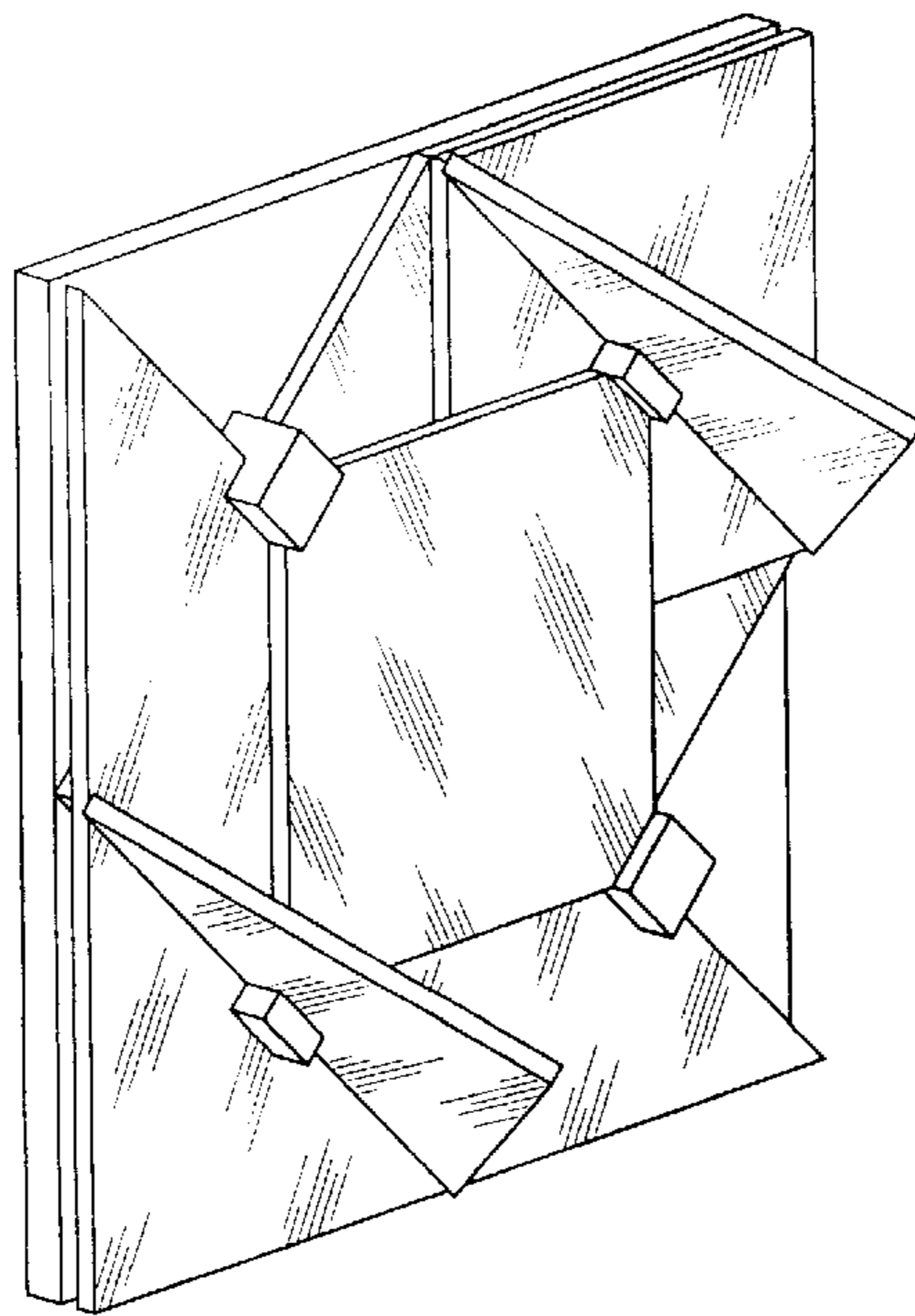


FIGURE 4