



US00D425136S

United States Patent [19]
Martin, Sr.

[11] **Patent Number: Des. 425,136**
[45] **Date of Patent: ** May 16, 2000**

[54] **HOCKEY GAME BOARD**

[76] Inventor: **Carl Bertram Martin, Sr.**, 3920 Kiest Meadow Dr., Dallas, Tex. 75233

[**] Term: **14 Years**

[21] Appl. No.: **29/107,345**

[22] Filed: **Jul. 1, 1999**

[51] **LOC (7) Cl.** **21-01**

[52] **U.S. Cl.** **D21/318**

[58] **Field of Search** D21/314, 318, D21/312, 339; 273/108, 108.1, 108.5, 118 R

[56] **References Cited**

U.S. PATENT DOCUMENTS

D. 294,720	3/1988	MacDowell	D21/318
D. 345,384	3/1994	Tataryn	D21/339
D. 347,026	5/1994	Young	D21/318
D. 351,867	10/1994	Rafferty	D21/339
4,261,568	4/1981	Such	D21/339 X
5,074,556	12/1991	Loepky et al.	273/108.5
5,417,421	5/1995	Bagley	273/118 R X

Primary Examiner—Prabhakar Deshmukh

[57] **CLAIM**

The ornamental design for a hockey game board, as shown and described.

DESCRIPTION

FIG. 1 is a top plan view of the hockey game board of the present invention;

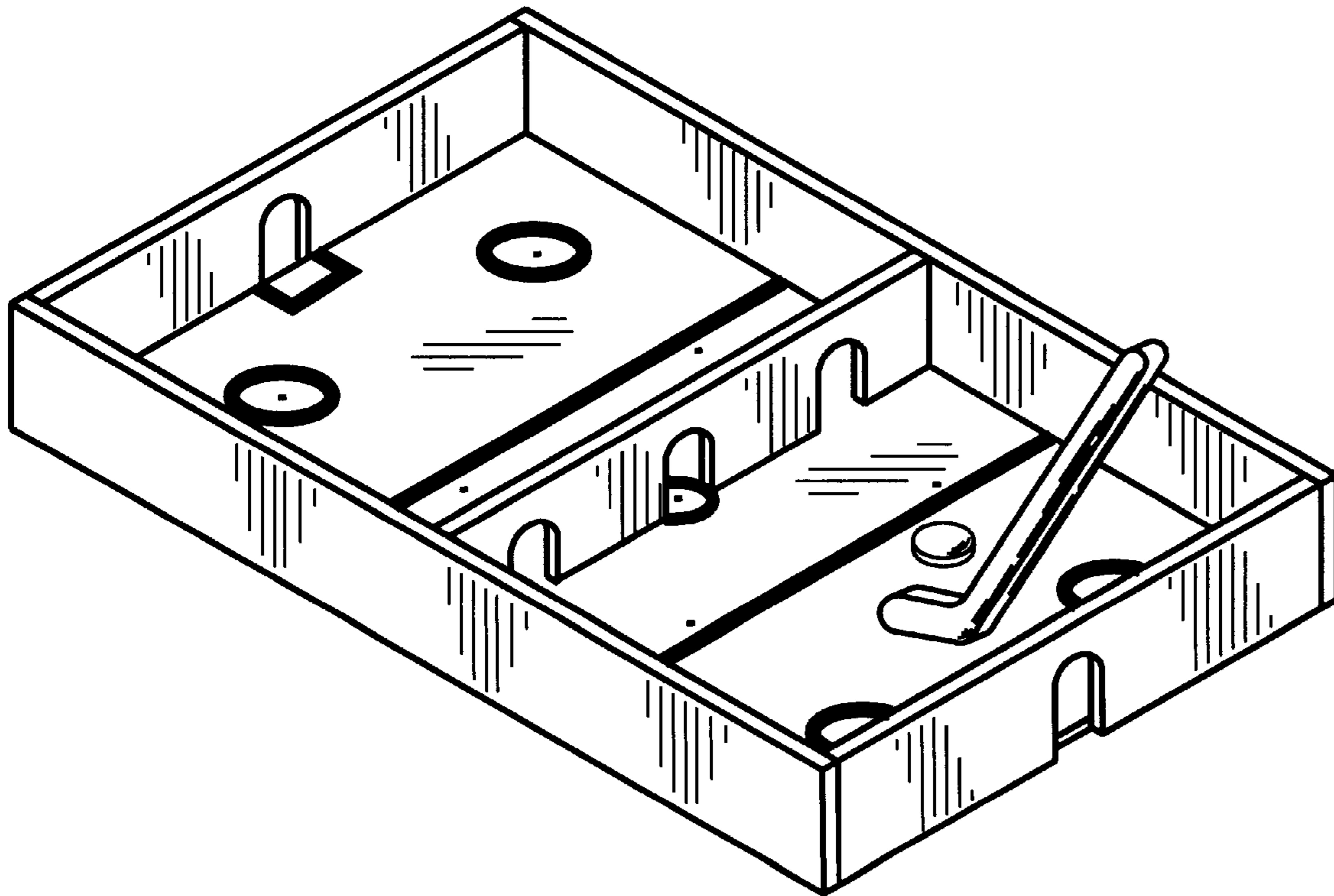
FIG. 2 is a bottom plan view of the hockey game board of FIG. 1;

FIG. 3 is a right side elevational view of the hockey game board of FIG. 1, the left side elevational view being a mirror image thereof;

FIG. 4 is a front elevational view of the hockey game board of FIG. 1, the rear elevational view being a mirror image thereof; and,

FIG. 5 is top, front, and left side perspective view of the hockey game board of FIG. 1; with the hockey stick and puck shown in an alternate position for it's environmental use.

1 Claim, 2 Drawing Sheets



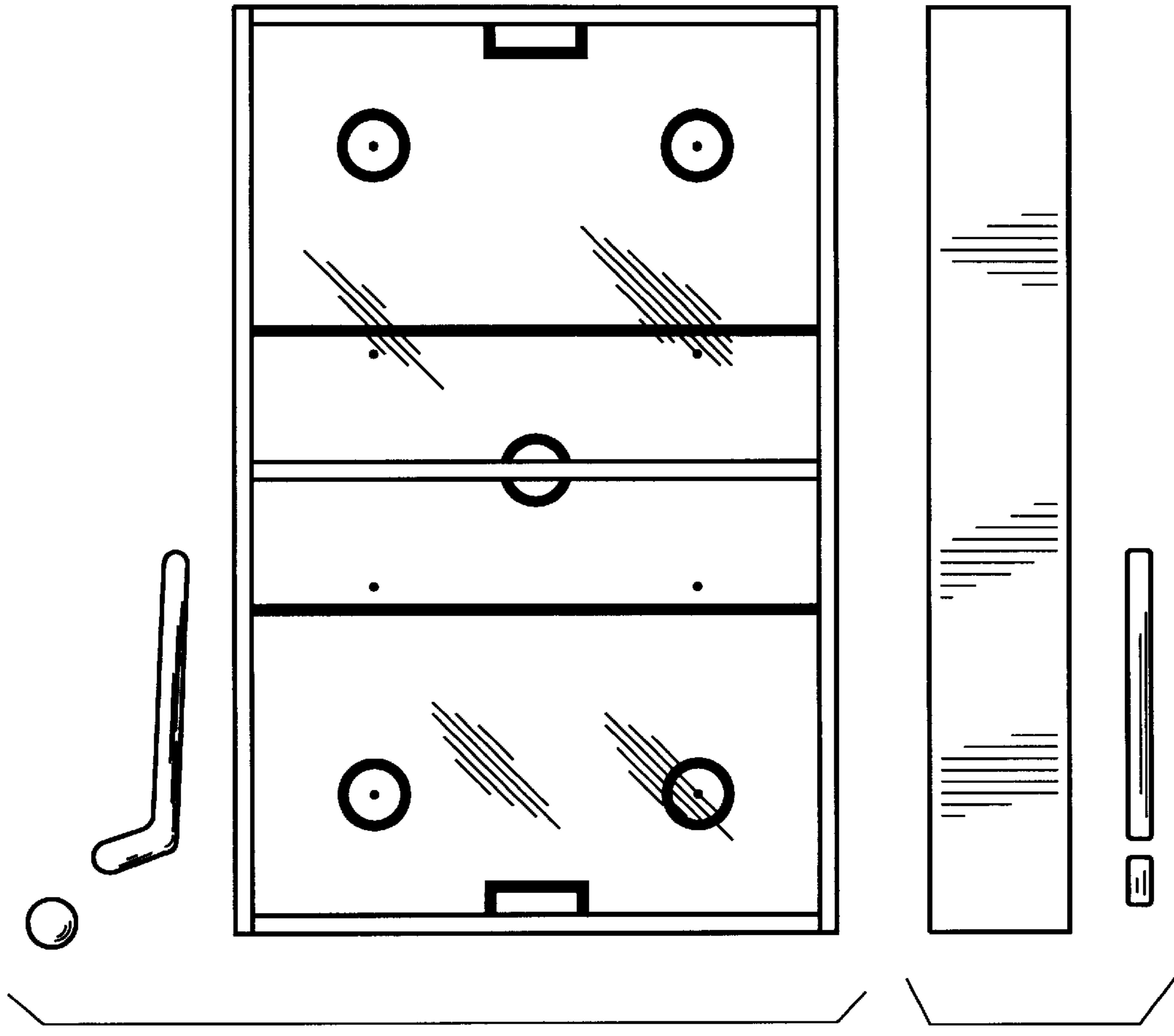


FIG. 1

FIG. 3

FIG. 4

