



US00D425135S

United States Patent [19] Quiring

[11] Patent Number: Des. 425,135

[45] Date of Patent: ** May 16, 2000

[54] AUTOMATIC RESET TARGET

[76] Inventor: Brent G. Quiring, R.R. 1 P.O. Box
197A, Windom, Minn. 56101

[**] Term: 14 Years

[21] Appl. No.: 29/107,862

[22] Filed: Jul. 16, 1999

[51] LOC (7) Cl. 21-01

[52] U.S. Cl. D21/302

[58] Field of Search D21/300-306,
D21/333, 385, 811; 273/317, 343, 345,
346, 331, 348, 356, 390, 391, 392, 375,
407, 859

[56] References Cited

U.S. PATENT DOCUMENTS

D. 235,155	5/1975	Perkins	D21/305
D. 392,687	3/1998	Wilson, Jr.	D21/302
D. 405,834	2/1999	Weng et al.	D21/302
996,712	7/1911	Harper	273/392
1,098,255	5/1914	Harper	273/392

4,116,443	9/1978	Dorfman	273/392 X
4,311,784	1/1982	Lawrence	273/390 X
4,588,194	5/1986	Steidle	273/391
4,726,593	2/1988	Wade	273/407 X
5,181,721	1/1993	Halliburton	273/378 X
5,324,043	6/1994	Estrella	273/392
5,533,732	7/1996	Leinen, Sr. et al.	273/375

Primary Examiner—Prabhakar Deshmukh
Attorney, Agent, or Firm—Burd, Bartz & Gutenkauf

[57] CLAIM

The ornamental design for an automatic reset target, as shown and described.

DESCRIPTION

FIG. 1 is a perspective view of the automatic reset target of my new design;
FIG. 2 is a rear elevational view thereof;
FIG. 3 is a front elevational view thereof;
FIG. 4 is a top plan view thereof;
FIG. 5 is a bottom plan thereof;
FIG. 6 is a left side elevational view thereof; and,
FIG. 7 is a right side elevational view thereof.

1 Claim, 3 Drawing Sheets

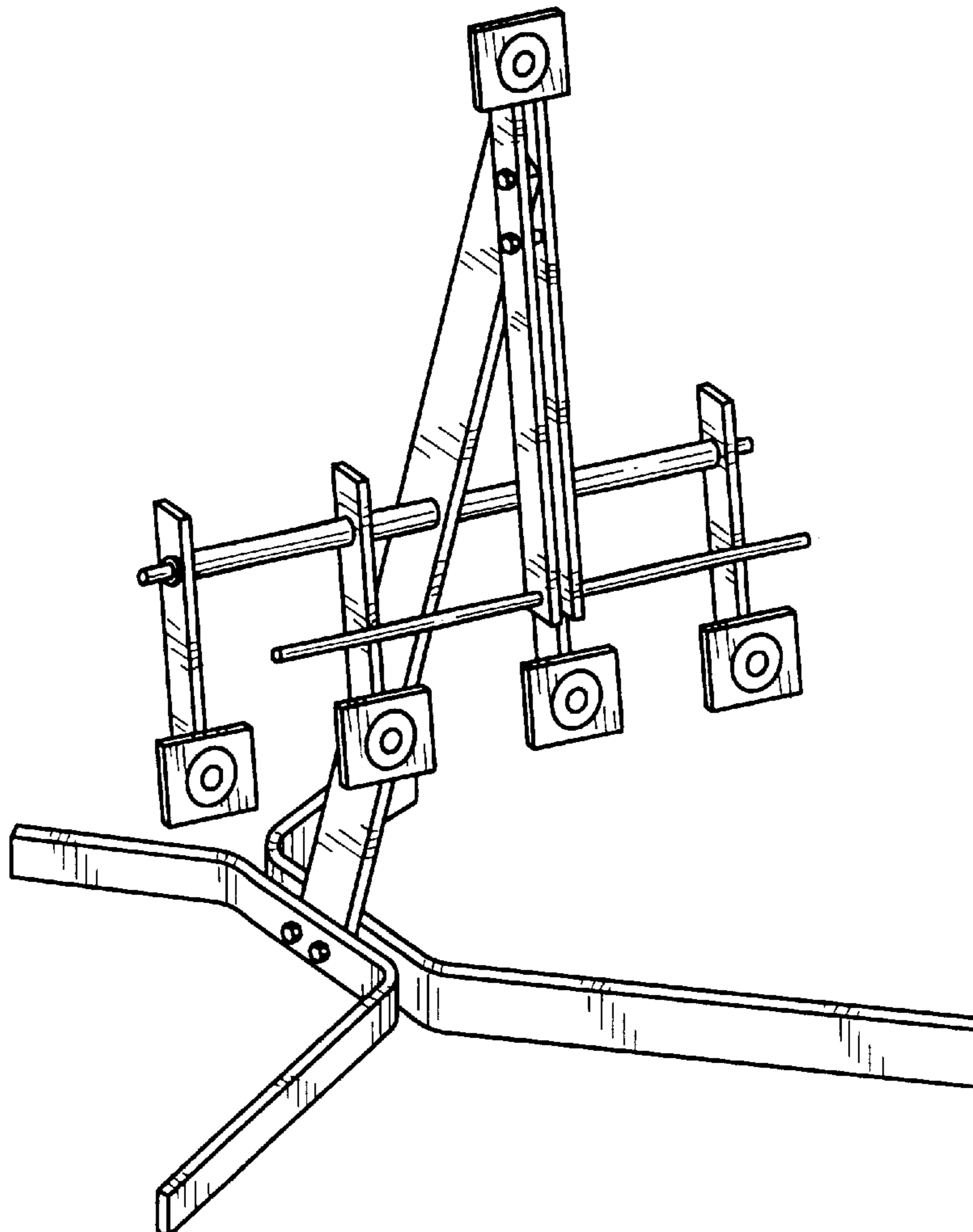


FIG. 1

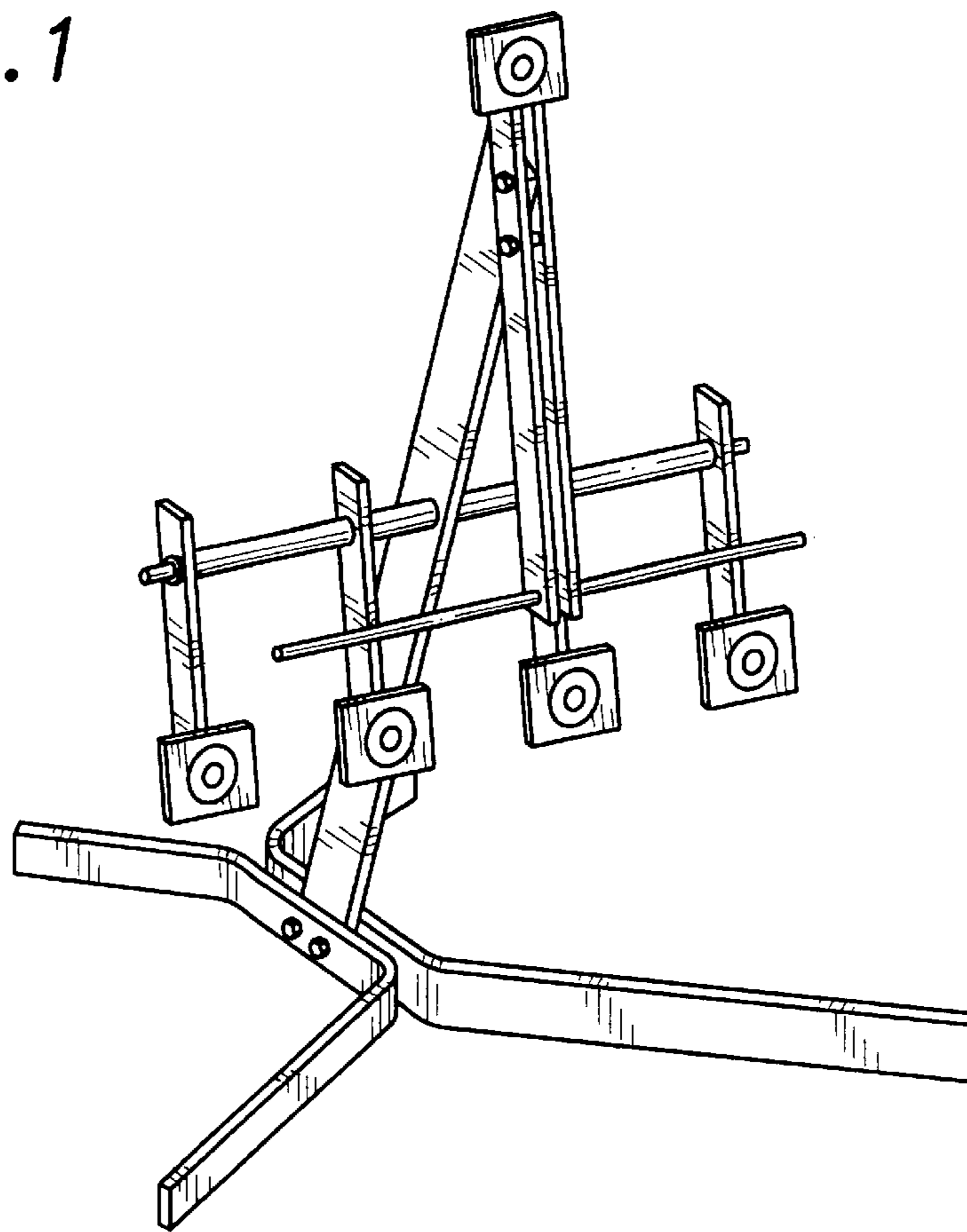


FIG. 2

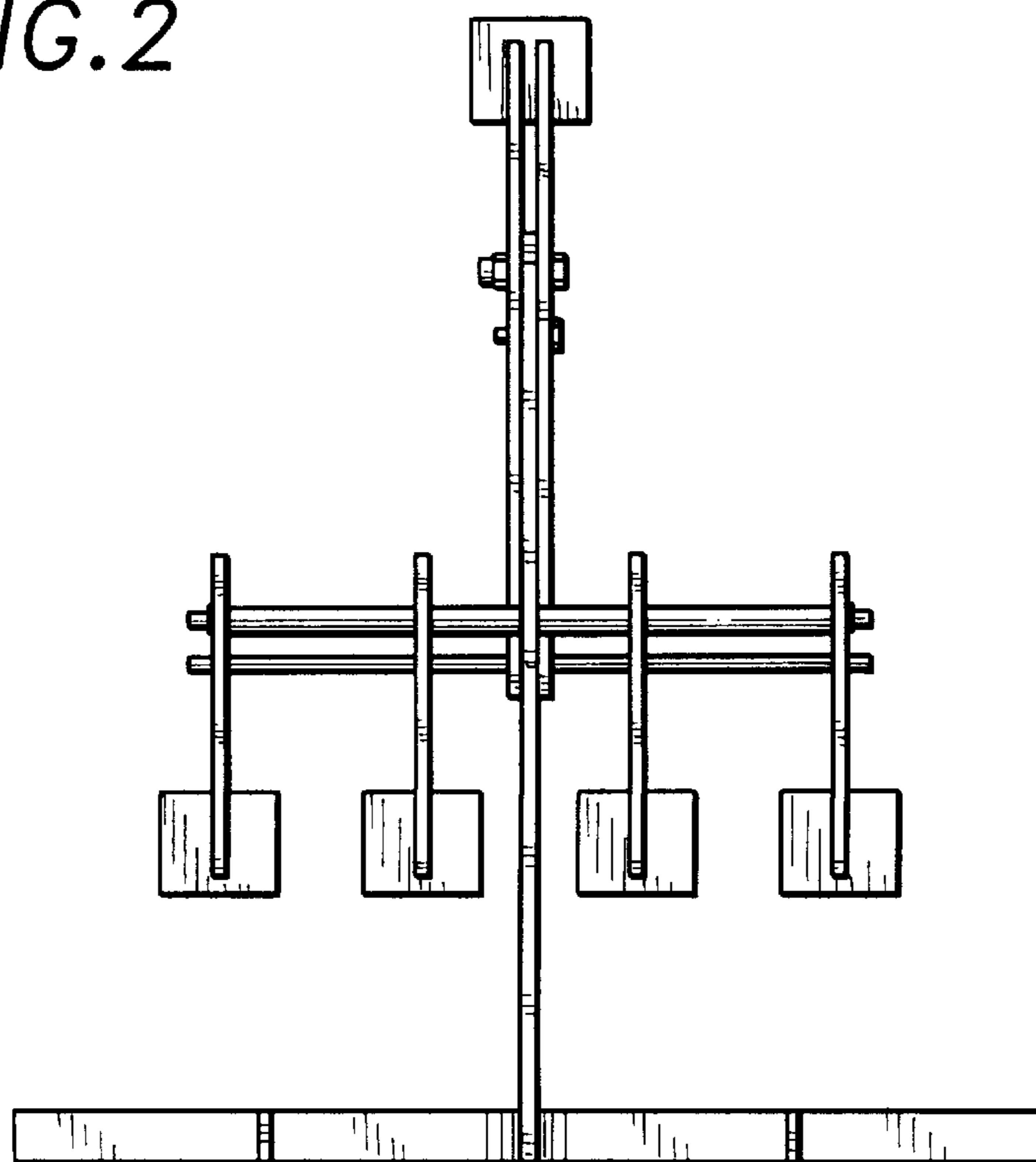


FIG. 3

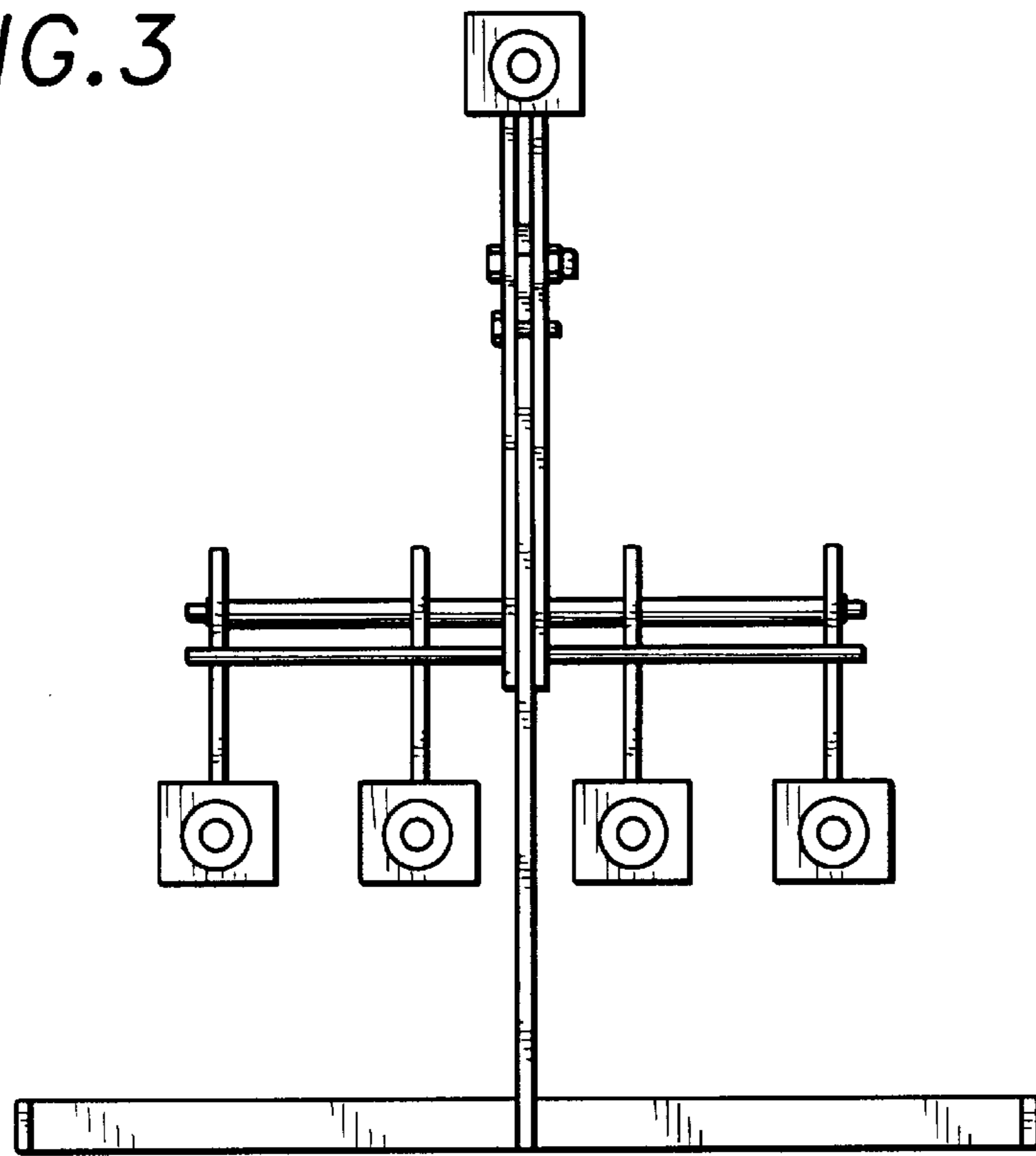


FIG. 4

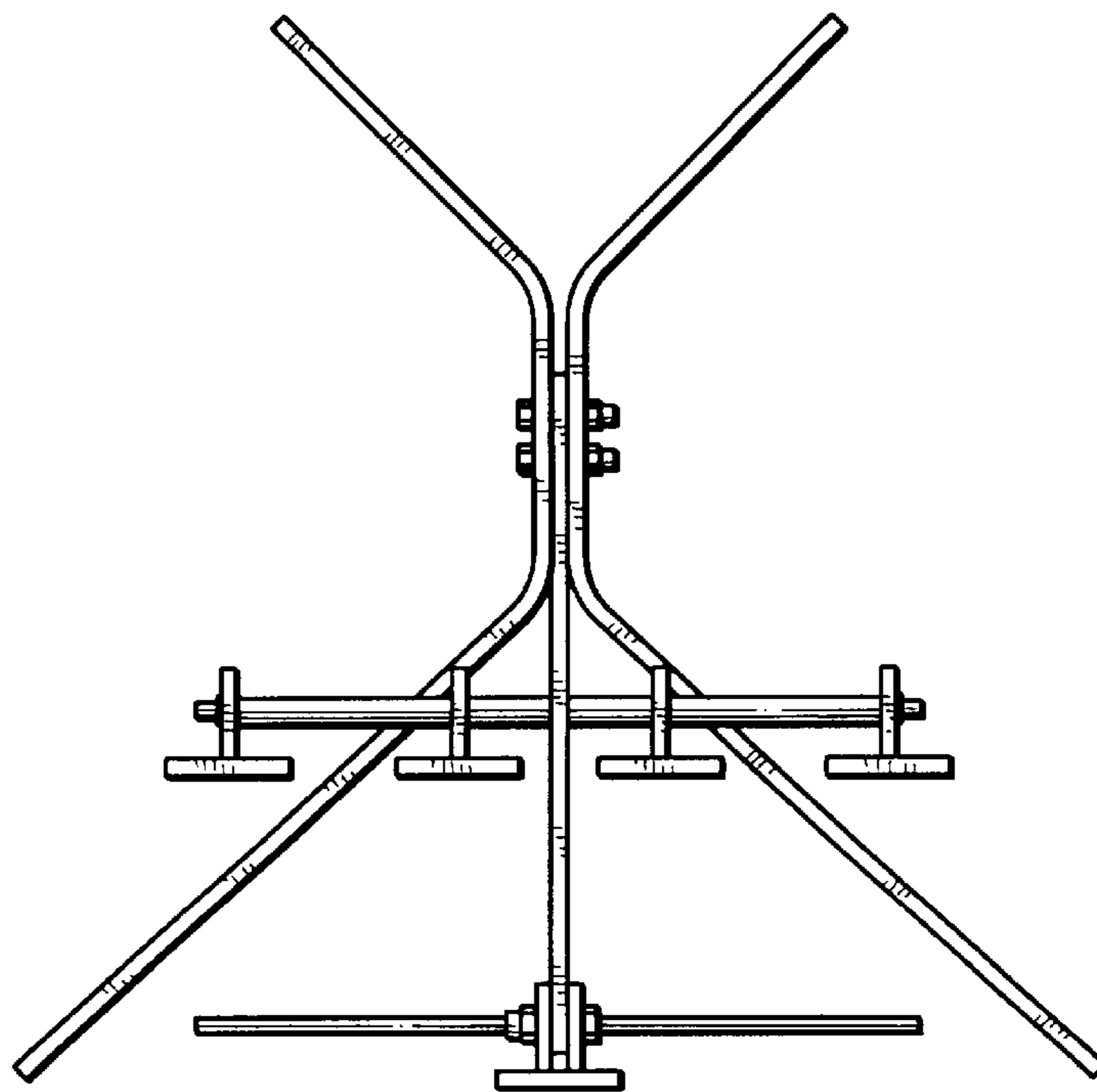


FIG. 5

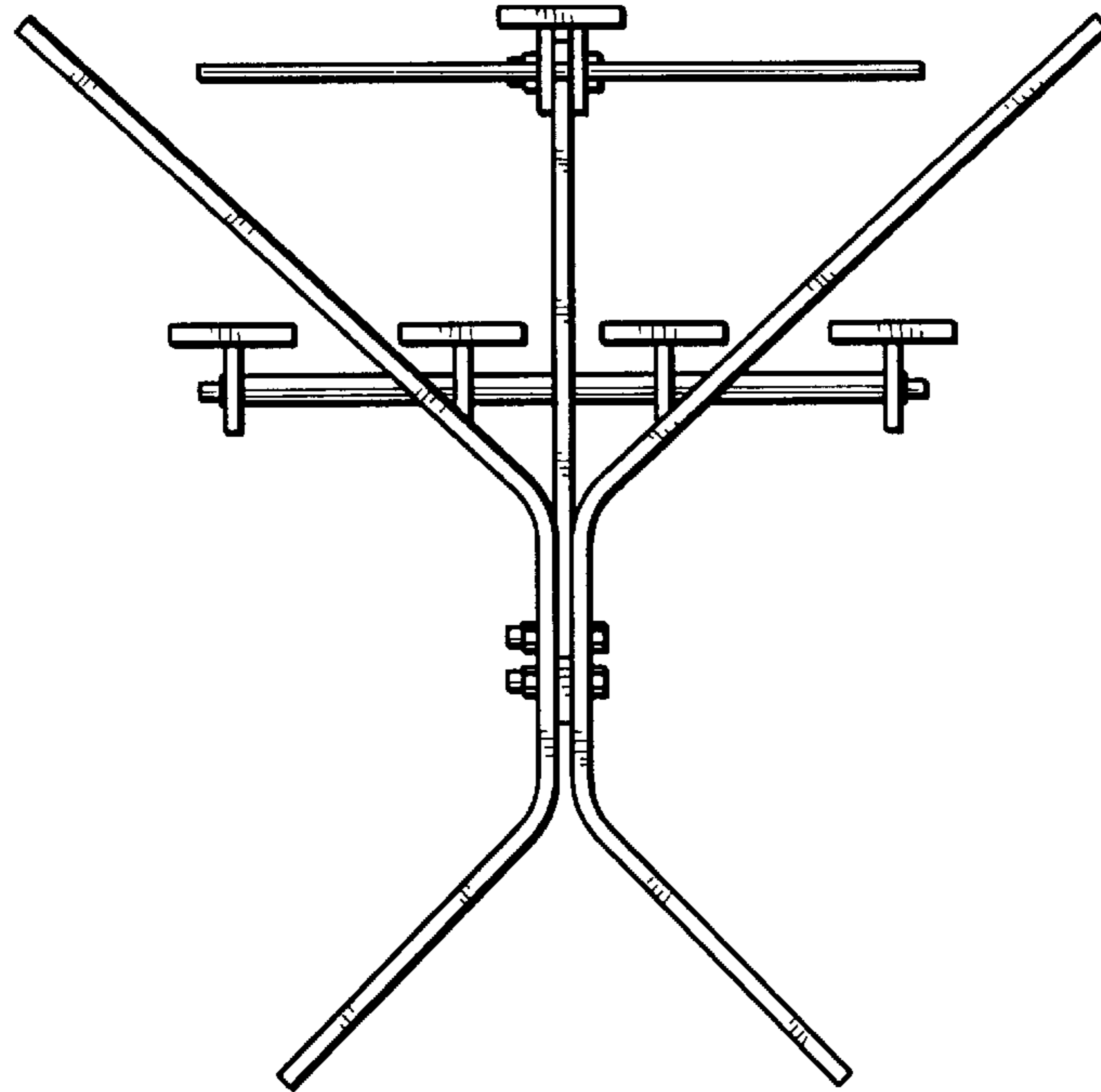


FIG. 6

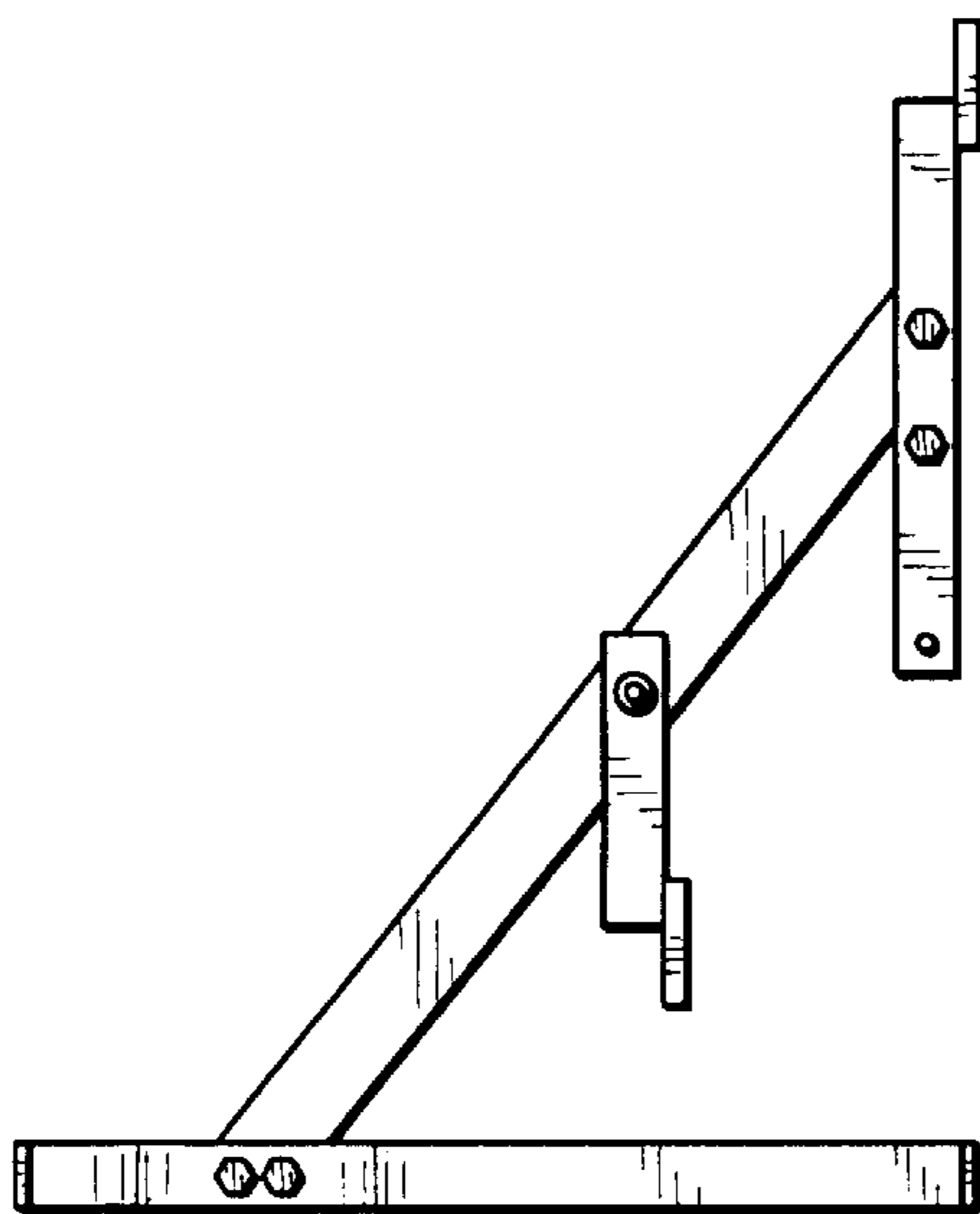


FIG. 7

