



US00D425134S

United States Patent [19] Kump

[11] **Patent Number: Des. 425,134**

[45] **Date of Patent: ** May 16, 2000**

[54] **SHELF TOP SIGN HOLDER**

5,683,003 11/1997 Gebka .
5,722,625 3/1998 Kenney .

[75] Inventor: **Daniel J. Kump**, Gates Miles, Ohio

OTHER PUBLICATIONS

[73] Assignee: **Fasteners For Retail, Inc.**, Cleveland, Ohio

Fasteners For Retail Brochure of Apr. 1998, entitled "Fasteners For Retail Yellow Pages," Cover, last page and pp. 20, 37, 38, 42 and 97.

[**] Term: **14 Years**

[21] Appl. No.: **29/099,852**

Primary Examiner—Susan J. Lucas
Assistant Examiner—Jennifer Rivard
Attorney, Agent, or Firm—Fay, Sharpe, Fagen, Minnich & McKee, LLP

[22] Filed: **Jan. 29, 1999**

[51] **LOC (7) Cl.** **20-03**

[52] **U.S. Cl.** **D20/43**

[58] **Field of Search** 40/642.01, 642.02,
40/646, 661, 666; D20/10, 42, 43

[57] CLAIM

The ornamental design for a shelf top sign holder, as shown and described.

[56] References Cited

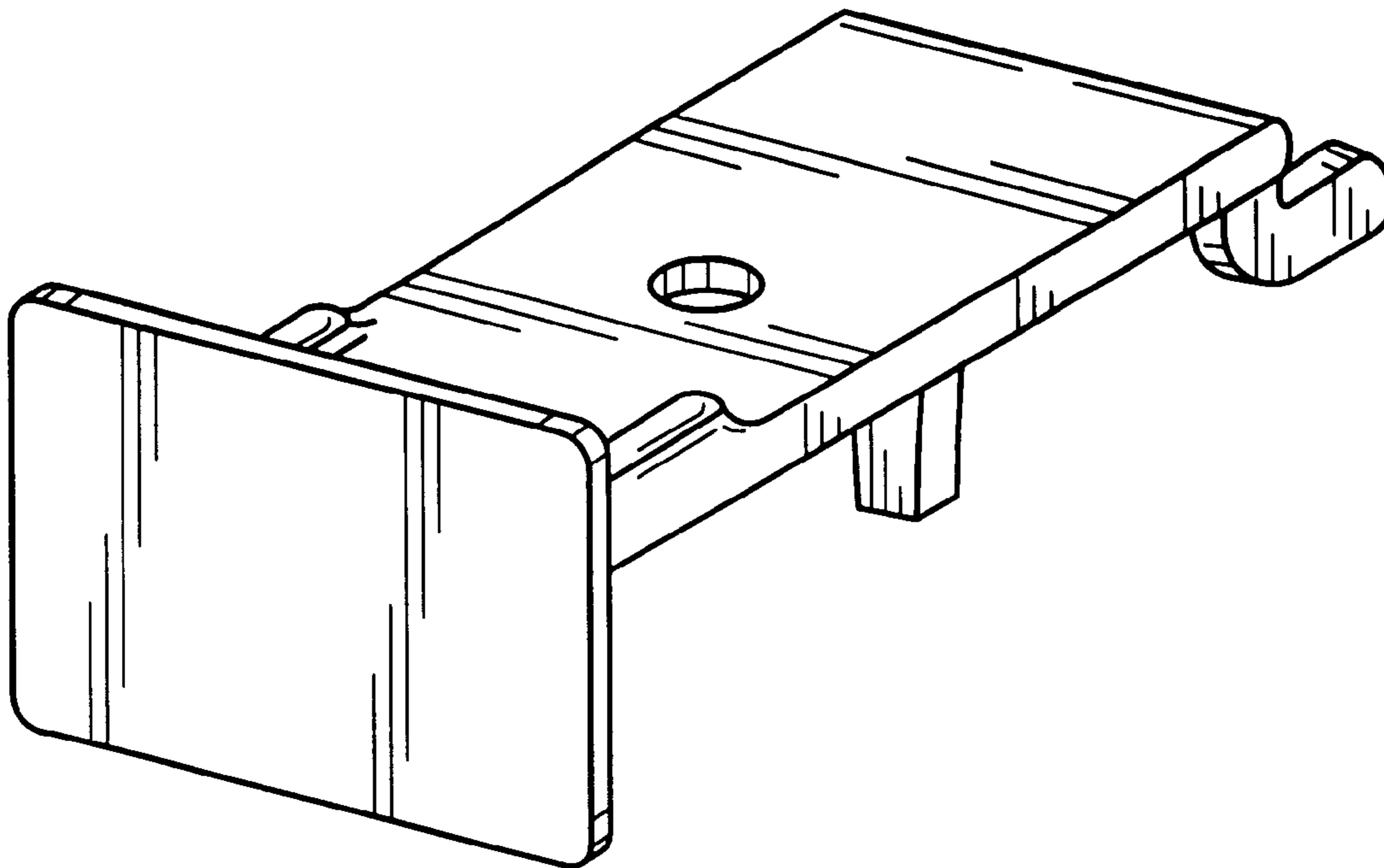
DESCRIPTION

U.S. PATENT DOCUMENTS

D. 206,783	1/1967	McCormick	D20/43
D. 306,878	3/1990	Crowley	D20/43
D. 350,568	9/1994	Lucarelli	D20/43
4,646,454	3/1987	Fast	40/584 X
5,346,166	9/1994	Valiulis .		
5,415,370	5/1995	Valiulis .		
5,421,113	6/1995	Gebka et al.	40/642.01
5,442,872	8/1995	Moser	40/642.01
5,678,795	10/1997	Henry et al. .		

FIG. 1 is a perspective view of the shelf top sign holder showing my new design;
FIG. 2 is a top plan view thereof;
FIG. 3 is a right side elevational view thereof, with the left side elevational view being a mirror image thereof;
FIG. 4 is a bottom plan view thereof;
FIG. 5 is a front elevational view thereof; and,
FIG. 6 is a rear elevational view thereof.

1 Claim, 2 Drawing Sheets



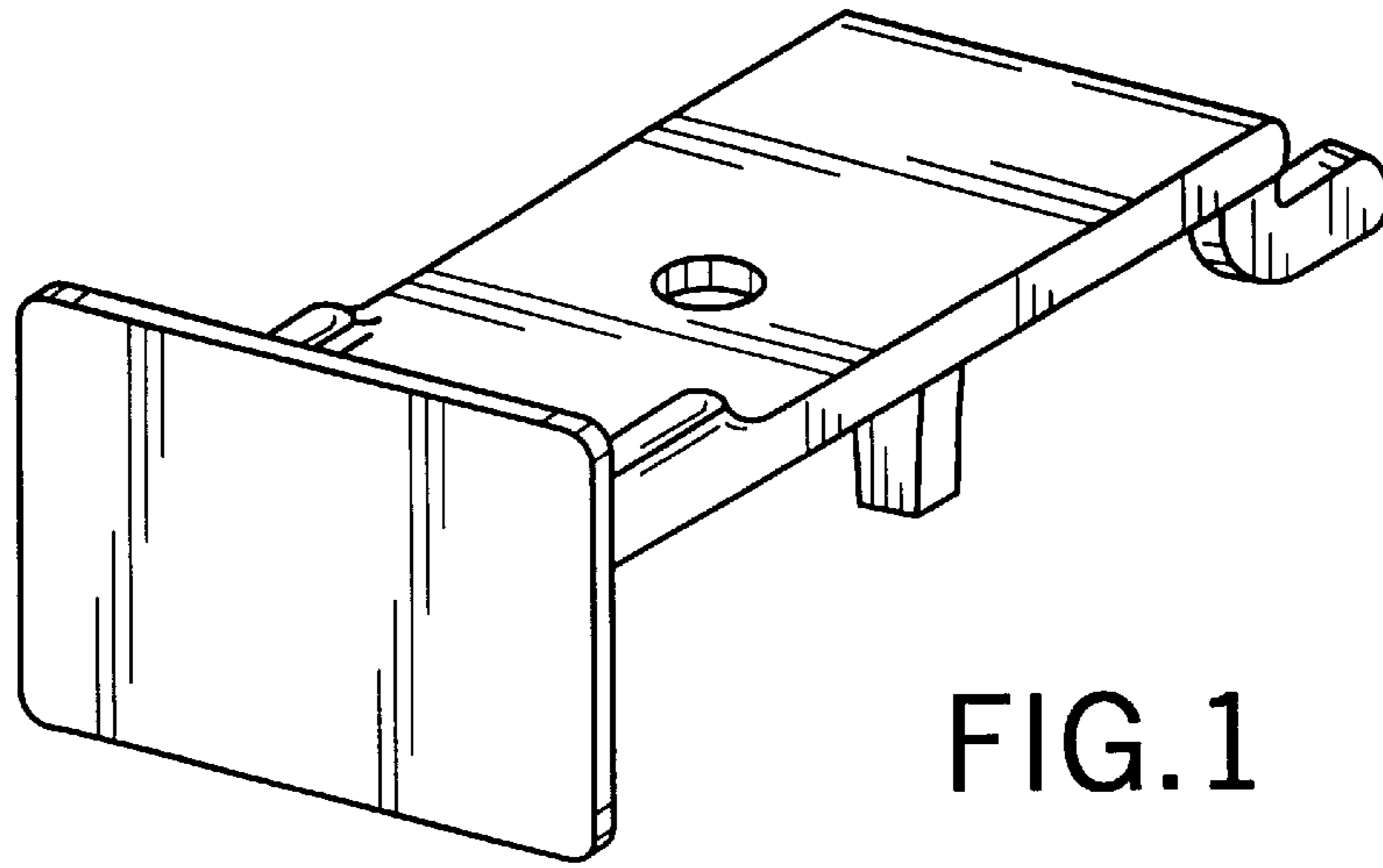


FIG. 1

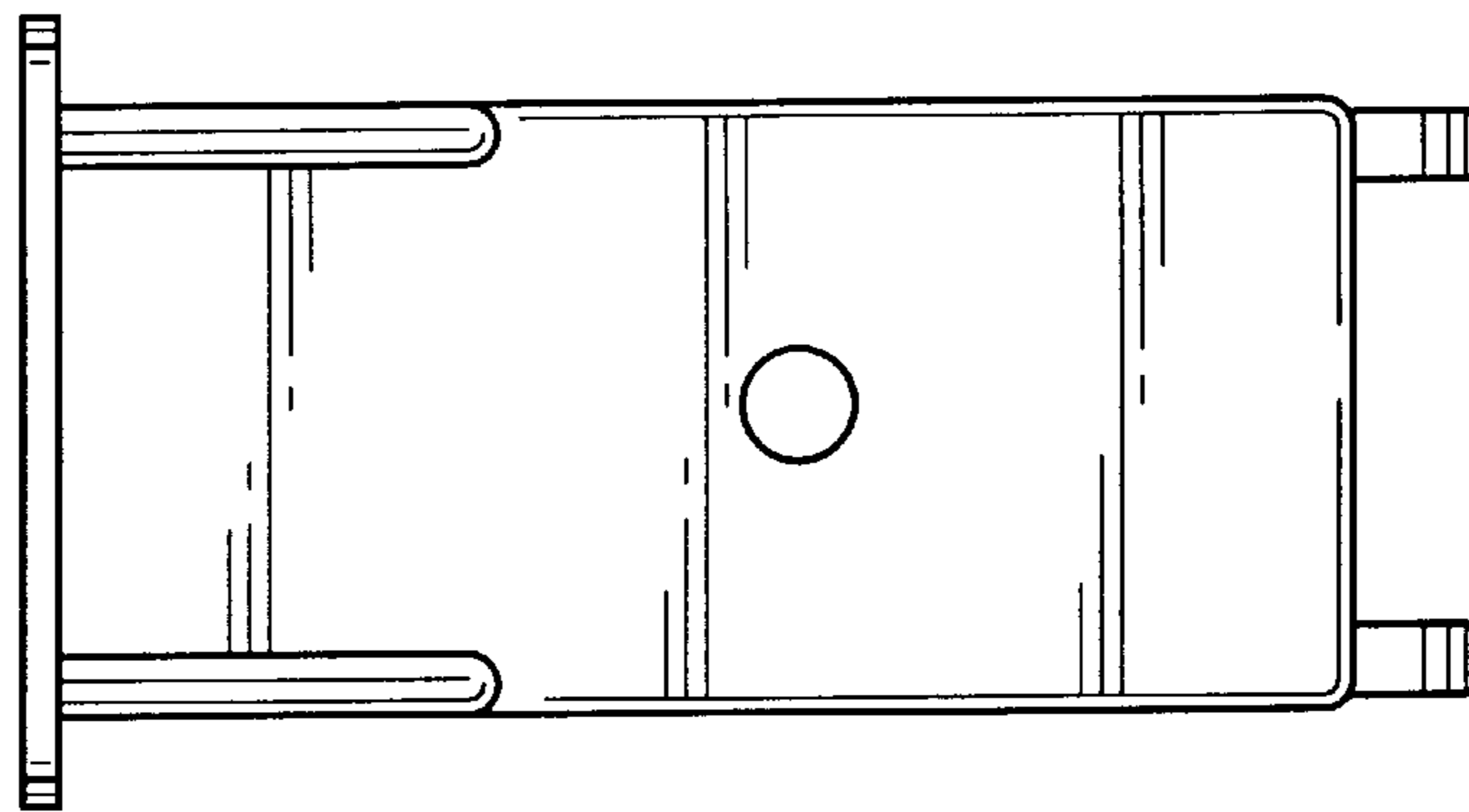


FIG. 2

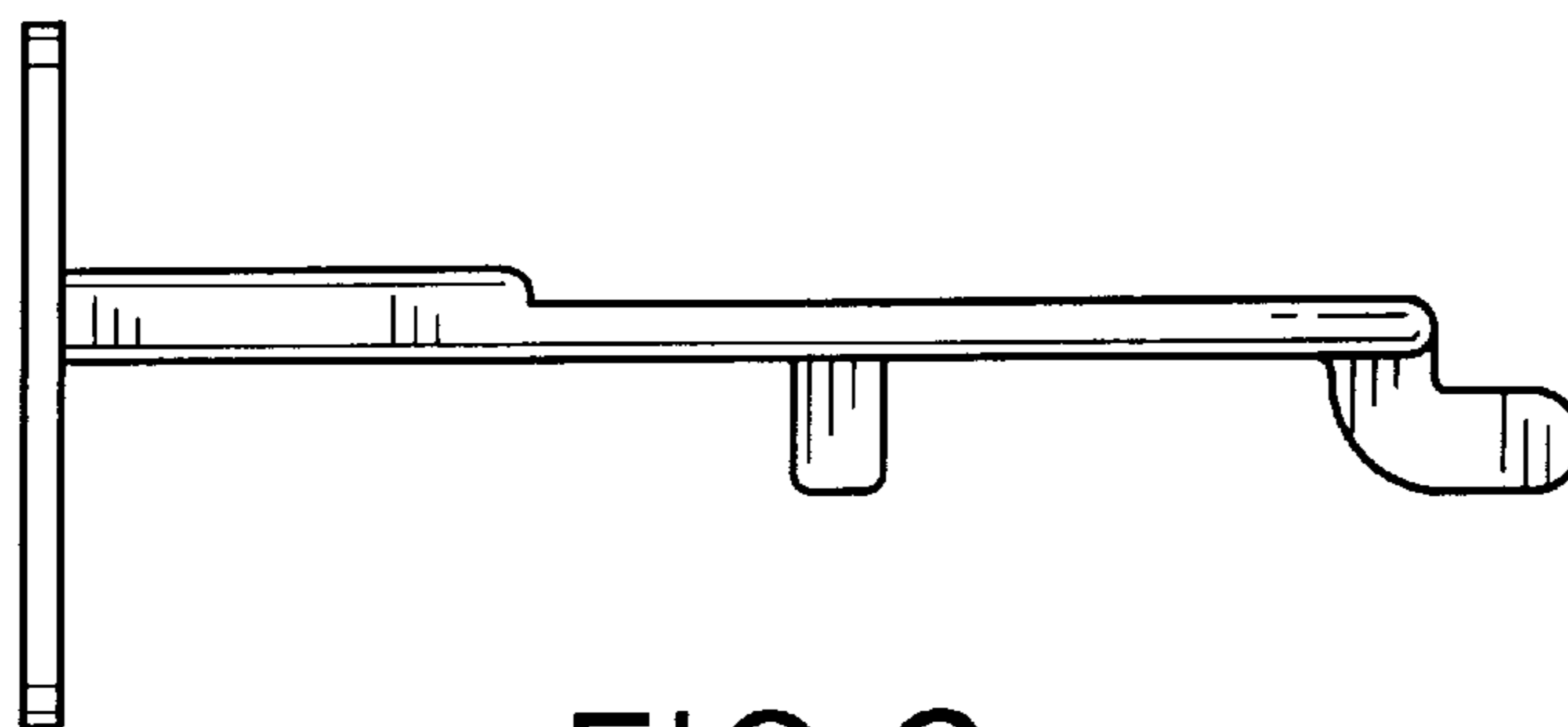


FIG. 3

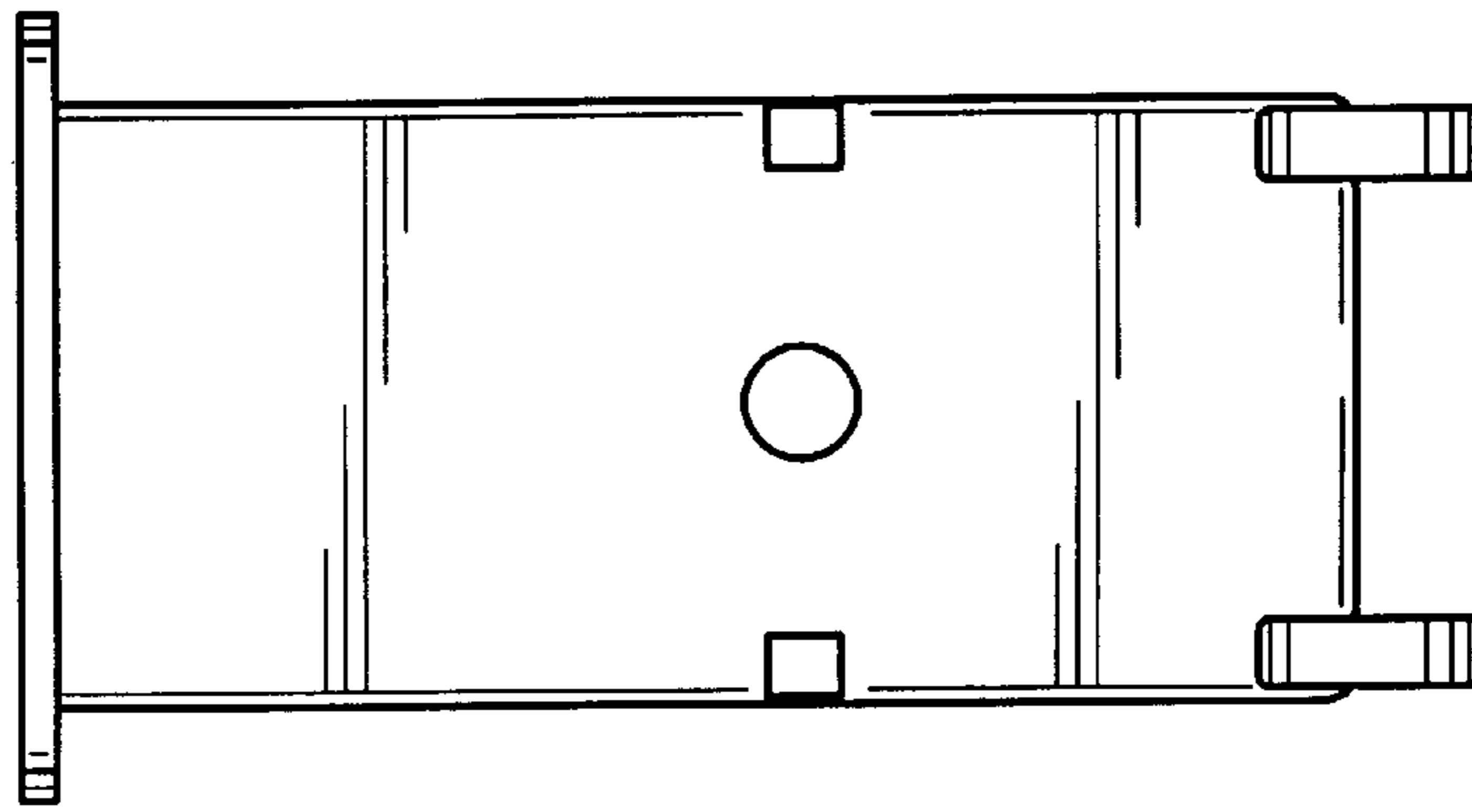


FIG. 4

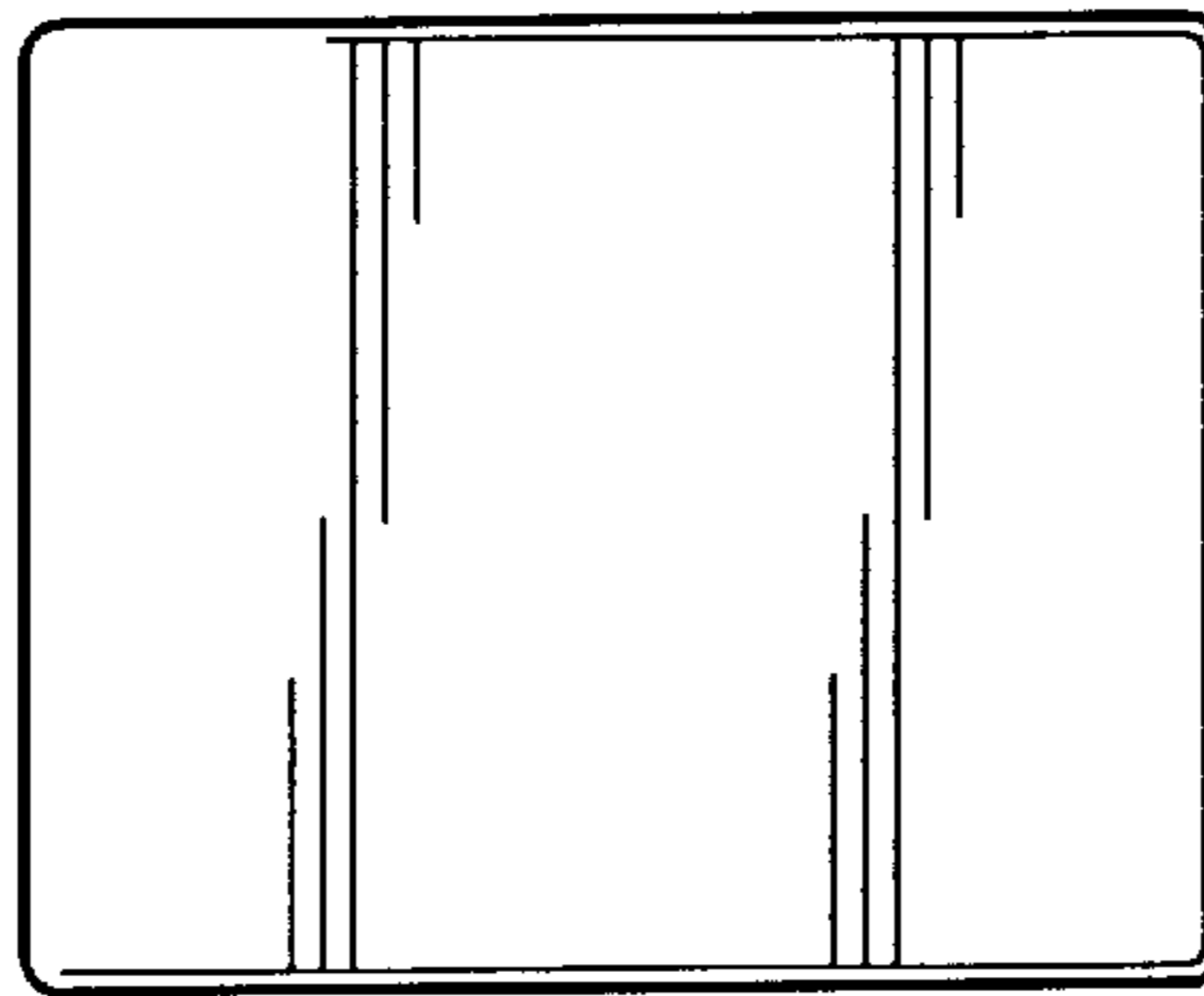


FIG. 5

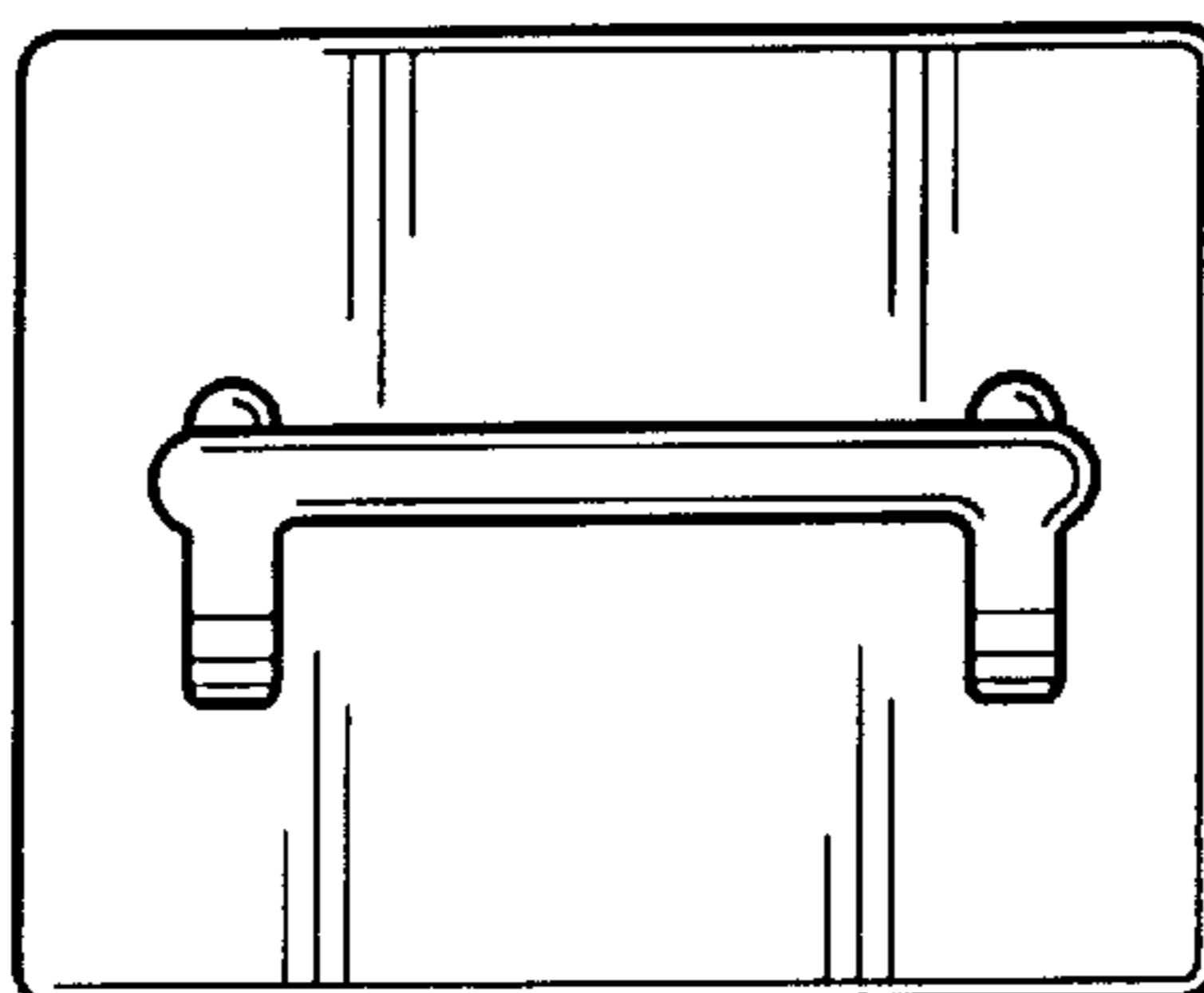


FIG. 6