



US00D425132S

United States Patent [19]

Zalon

[11] Patent Number: **Des. 425,132**

[45] Date of Patent: **** May 16, 2000**

[54] **POP-UP DISPLAY DEVICE**

[75] Inventor: **Paul S. Zalon**, Southport, Conn.

[73] Assignee: **Popshots, Inc.**, Conn.

[**] Term: **14 Years**

[21] Appl. No.: **29/097,283**

[22] Filed: **Dec. 2, 1998**

[51] **LOC (7) Cl.** **20-02**

[52] **U.S. Cl.** **D20/41**

[58] **Field of Search** 40/1, 124.01, 124.07, 40/124.08, 124.13, 124.16, 124.09, 124.11, 538, 539, 584, 586; 273/157 R; D20/10, 41, 29; D3/1, 2; 416/70 A, 70 R; D19/1, 2, 6, 7, 8

[56] **References Cited**

U.S. PATENT DOCUMENTS

D. 286,301	10/1986	Fain	D19/6
D. 304,736	11/1989	Leahan	D19/78
1,200,738	10/1916	Lichter	416/70 R
1,424,864	8/1922	Warshaw	416/70 R
2,884,738	5/1959	Lohnes et al.	.	
3,995,388	12/1976	Penick et al.	40/126 A

4,879,823	11/1989	Collins	40/124.1
5,293,706	3/1994	Wood	40/124.1
5,588,233	12/1996	Volkert et al.	40/124.1
5,613,612	3/1997	Davault	40/124.01
5,687,495	11/1997	Volkert	40/124.08
5,694,711	12/1997	Cowgill et al.	40/610
5,758,438	6/1998	Crowell	40/124.08
5,799,424	9/1998	Volkert et al.	40/124.08

Primary Examiner—Susan J. Lucas
Assistant Examiner—Jennifer Rivard
Attorney, Agent, or Firm—Kenyon & Kenyon

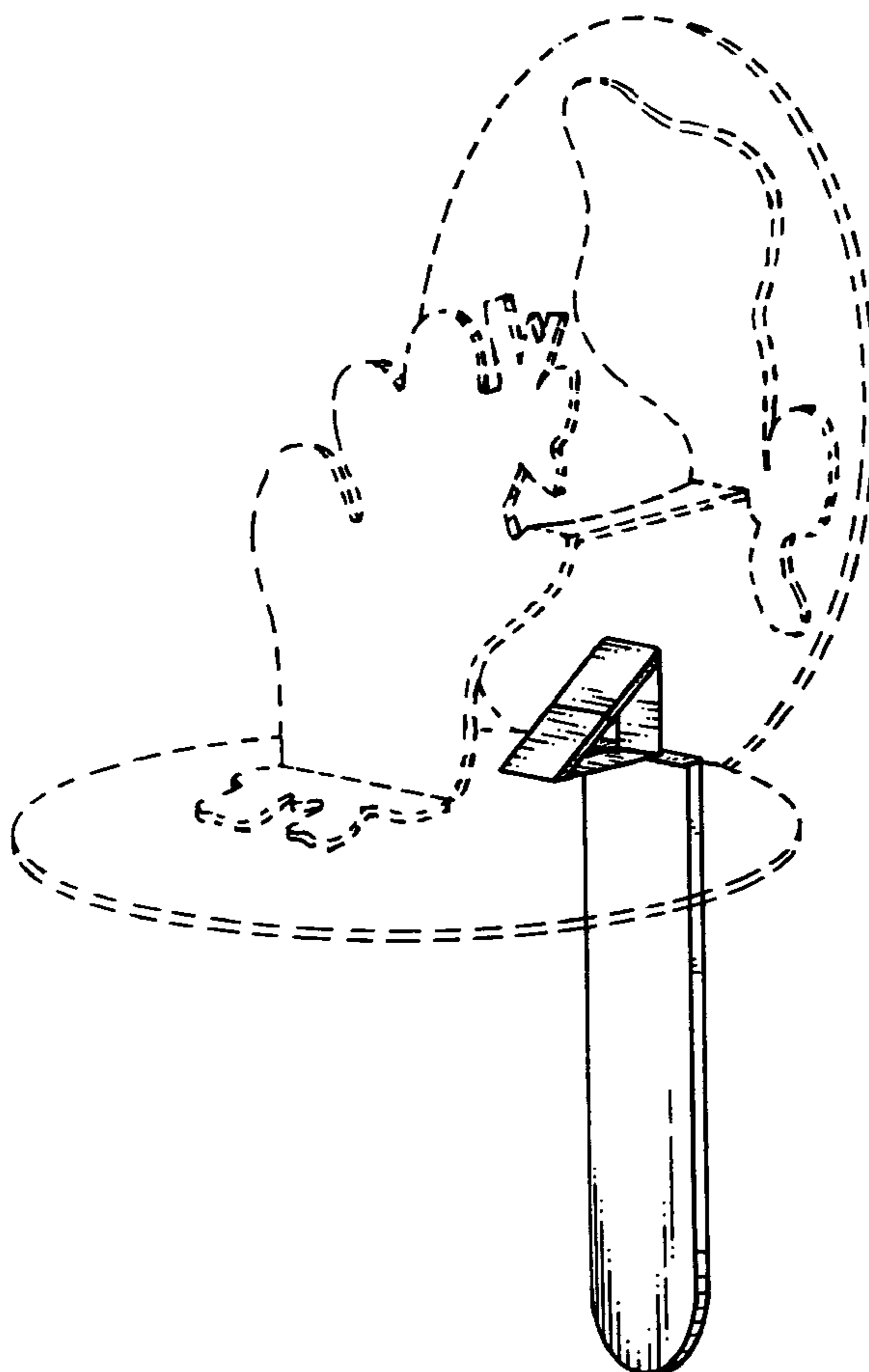
[57] **CLAIM**

The ornamental design for a pop-up display device, as shown and described.

DESCRIPTION

FIG. 1 shows a front view of an exemplary embodiment of a pop-up display device in a closed position according to the present invention, the rear view is a mirror image thereof; and, FIG. 2 show a perspective view of the device in an open position. The broken lines are shown for illustrative purposes only and form no part of the claimed design.

1 Claim, 2 Drawing Sheets



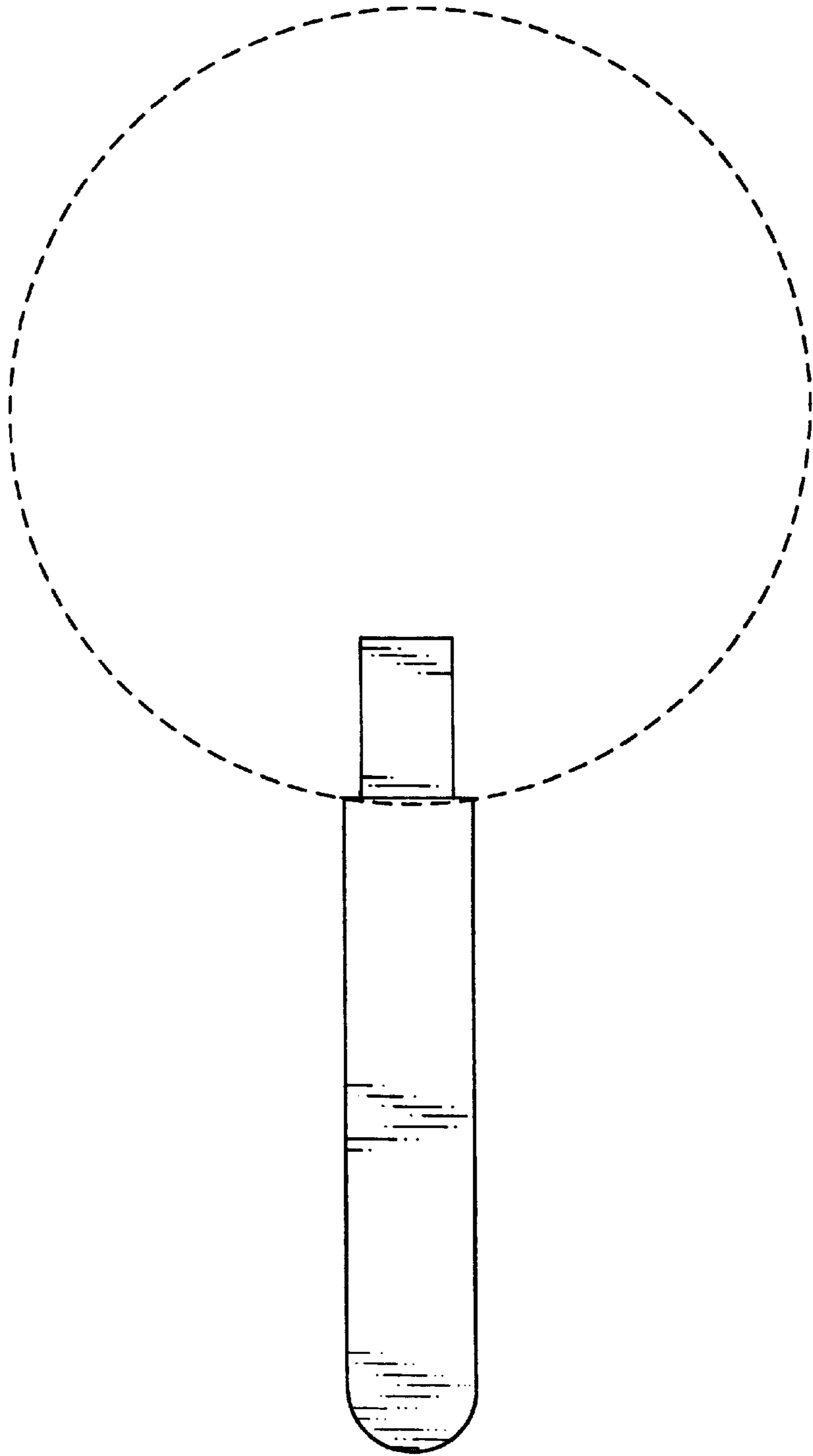


FIG. 1

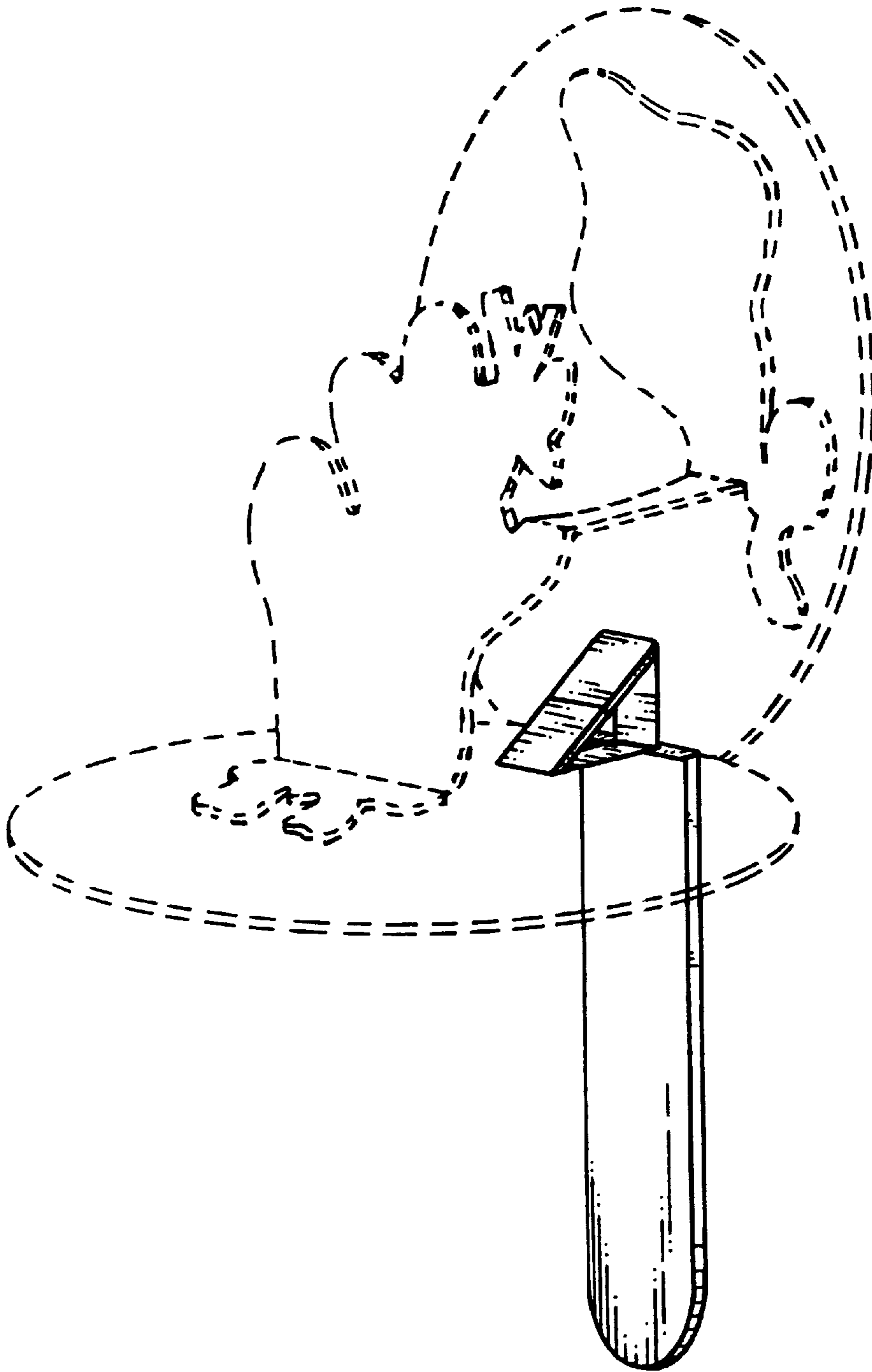


FIG. 2