



US00D425129S

# United States Patent [19]

[11] **Patent Number: Des. 425,129**

**Koehneke et al.**

[45] **Date of Patent: \*\* May 16, 2000**

[54] **CARD TRAY**

1,609,700	12/1926	Dalberg	.....	248/473
1,857,552	5/1932	Komorous	.....	248/473
2,767,497	10/1956	Munson	.....	248/473

[75] Inventors: **Mark S. Koehneke**, Milwaukee; **David C. Harris**, Baraboo; **Richard S. Walters**, Port Washington, all of Wis.

*Primary Examiner*—Martie K. Holtje  
*Attorney, Agent, or Firm*—Foley & Lardner

[73] Assignee: **Newell Office Products, Inc.**, Madison, Wis.

### [57] CLAIM

[\*\*] Term: **14 Years**

I claim the ornamental design for a card tray, as shown and described.

[21] Appl. No.: **29/095,968**

### DESCRIPTION

[22] Filed: **Nov. 2, 1998**

FIG. 1 is a perspective view of a card tray;  
 FIG. 2 is a front view of the card tray shown in FIG. 1;  
 FIG. 3 is a rear view of the card tray shown in FIG. 1;  
 FIG. 4 is a right side view of the card tray shown in FIG. 1 with the left side view being the same;  
 FIG. 5 is a top view of the card tray shown in FIG. 1;  
 FIG. 6 is a bottom view of the card tray shown in FIG. 1;  
 FIG. 7 is a perspective view of an alternative embodiment of the card tray shown in FIG. 1;  
 FIG. 8 is a front view of the card tray shown in FIG. 7;  
 FIG. 9 is a rear view of the card tray shown in FIG. 7;  
 FIG. 10 is a right side view of the card tray shown in FIG. 7 with the left side view being the same;  
 FIG. 11 is a top view of the card tray shown in FIG. 7; and,  
 FIG. 12 is a bottom view of the card tray shown in FIG. 7.  
 The broken lines showing portions of the card tray in FIGS. 1–12 are for illustrative purposes only and form no part of the claimed design.

[51] **LOC (7) Cl.** ..... **19-99**

[52] **U.S. Cl.** ..... **D19/99; D19/76**

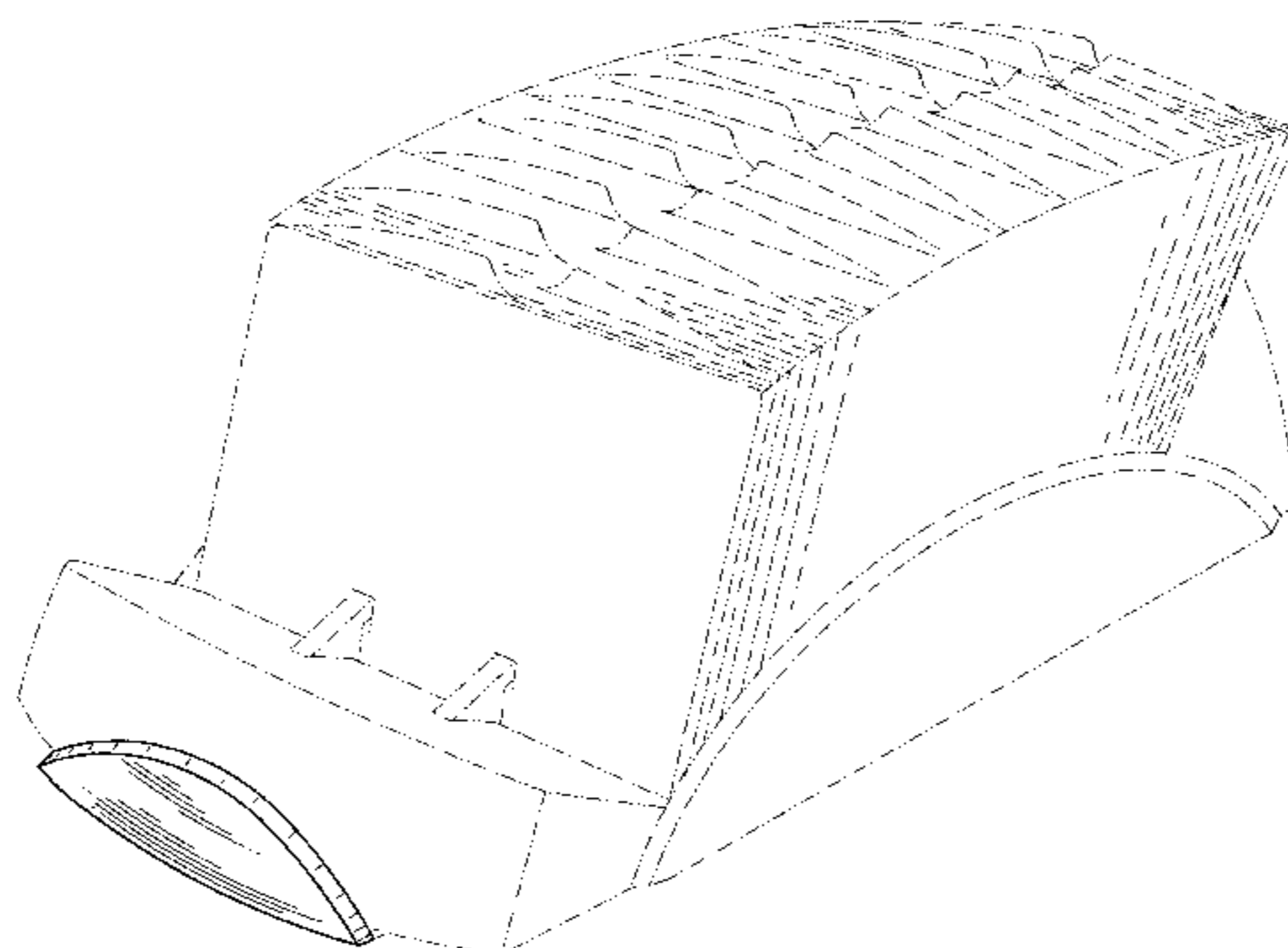
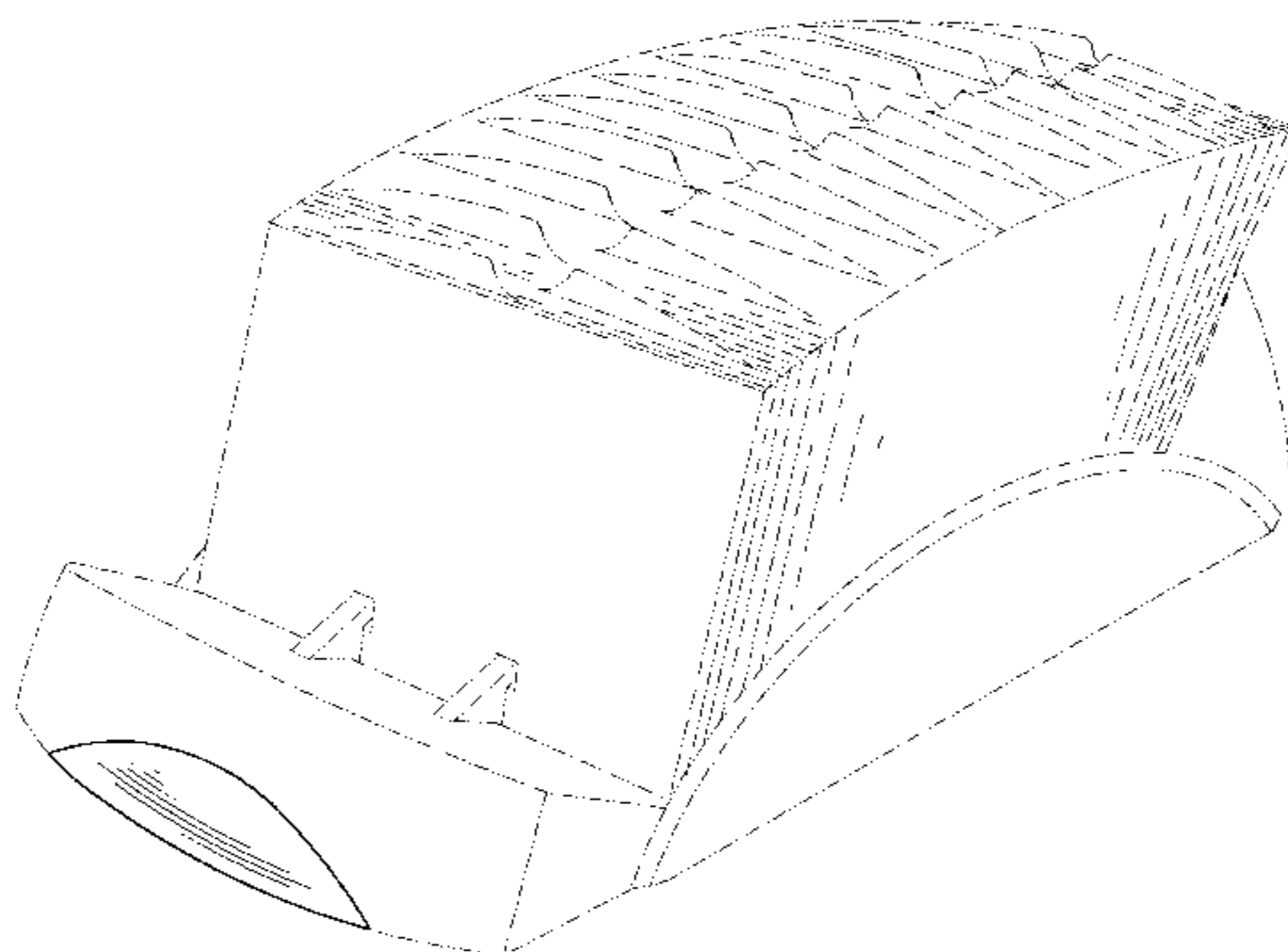
[58] **Field of Search** ..... D19/65, 75, 76,  
D19/78, 86, 90, 91, 92, 95, 99, 100; 211/10,  
11, 45, 50, 51, 55; 40/371–380; 312/183,  
185, 189, 193; 206/425; 248/473

### [56] References Cited

#### U.S. PATENT DOCUMENTS

D. 248,962	8/1978	Glaubinger et al.	.....	D19/76
D. 266,336	9/1982	Leib, III	.....	D19/76
D. 280,041	8/1985	Long et al.	.....	D6/635
D. 321,372	11/1991	Evenson	.....	D19/90
D. 406,170	2/1999	Wolff	.....	D19/65
D. 407,440	3/1999	Vanlandingham, Jr.	.....	D19/88
D. 414,209	9/1999	Koehneke et al.	.....	D19/76
D. 418,166	12/1999	Dill	.....	D19/88

**1 Claim, 6 Drawing Sheets**



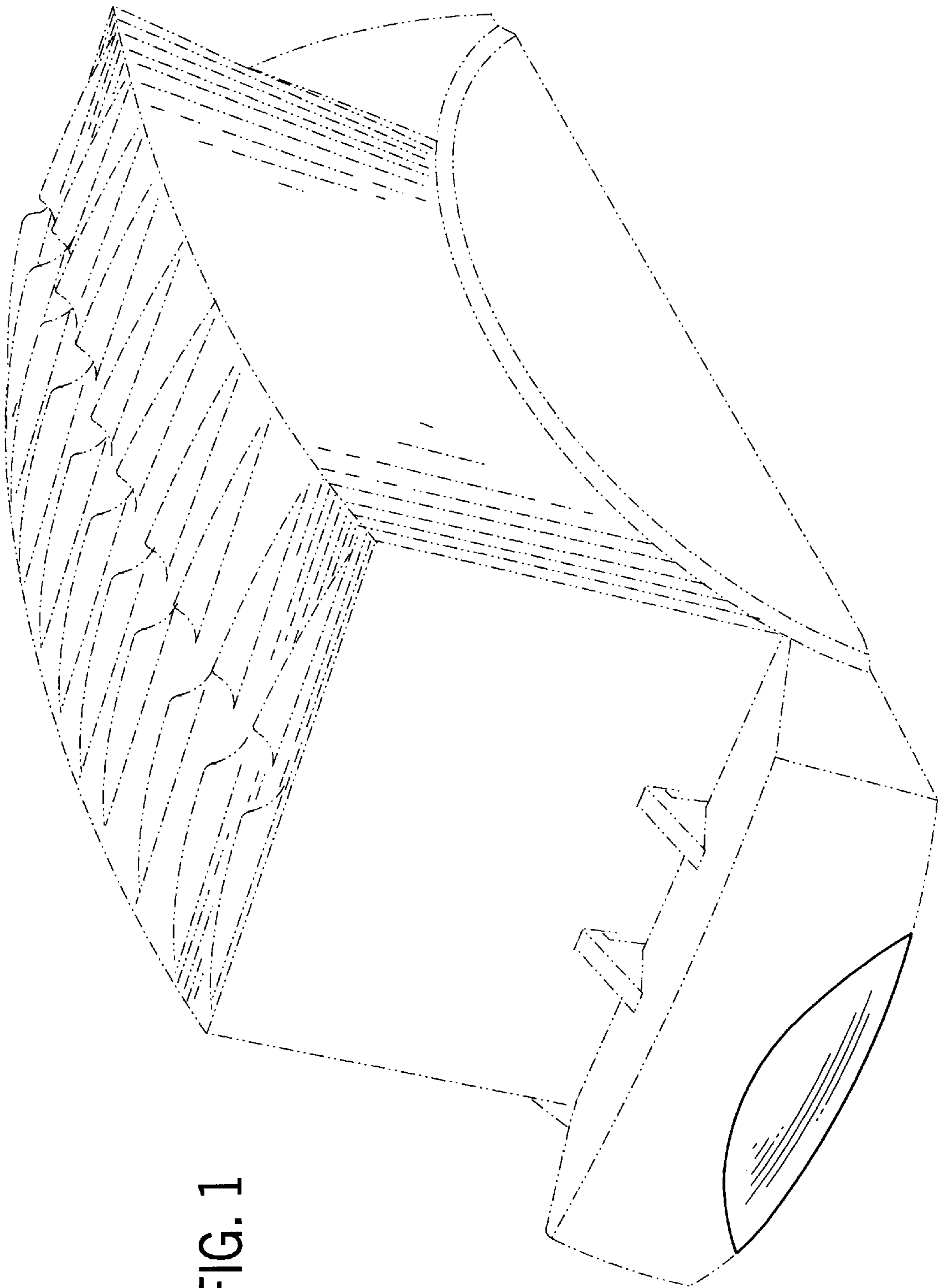


FIG. 1

FIG. 2

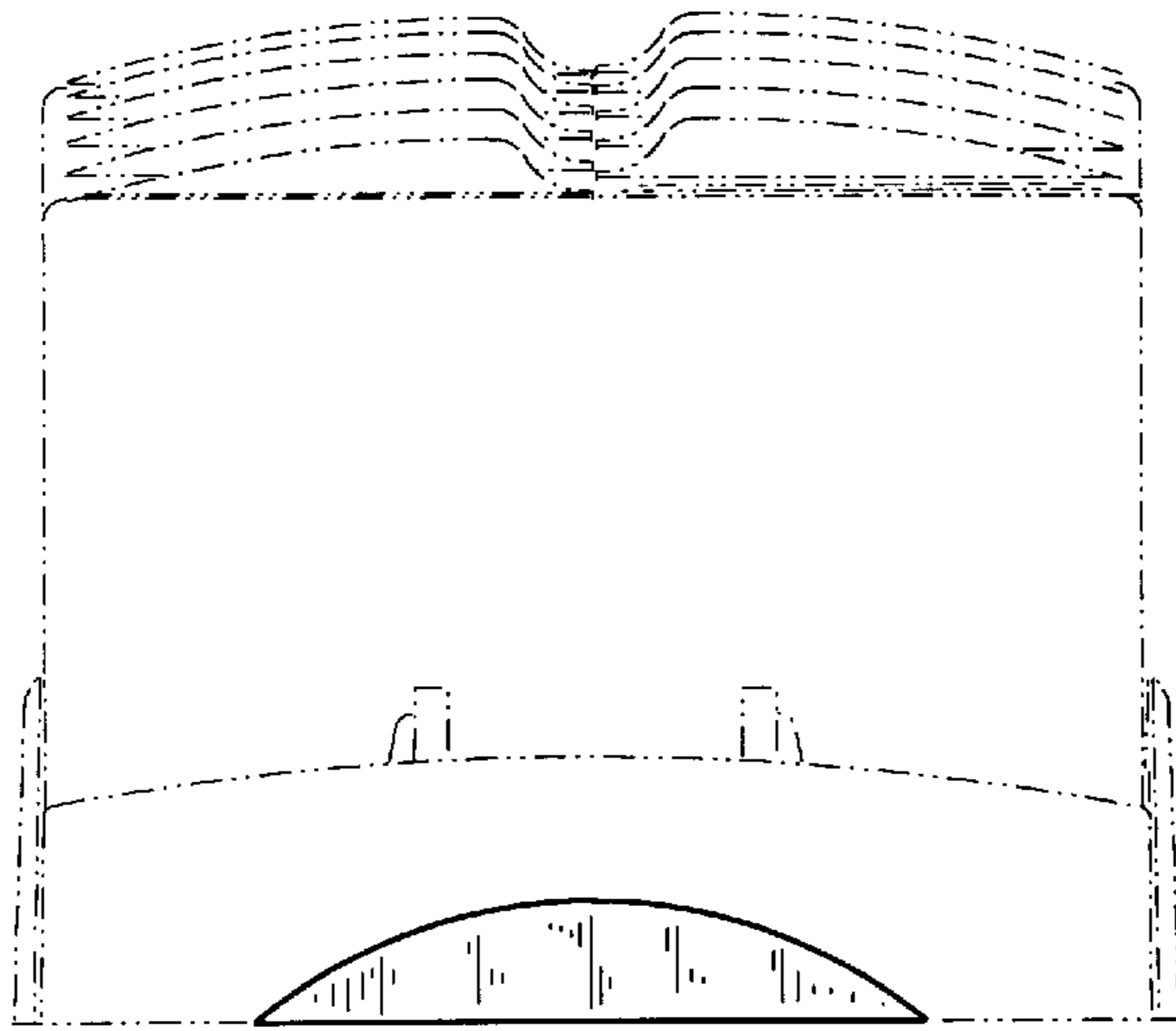


FIG. 3

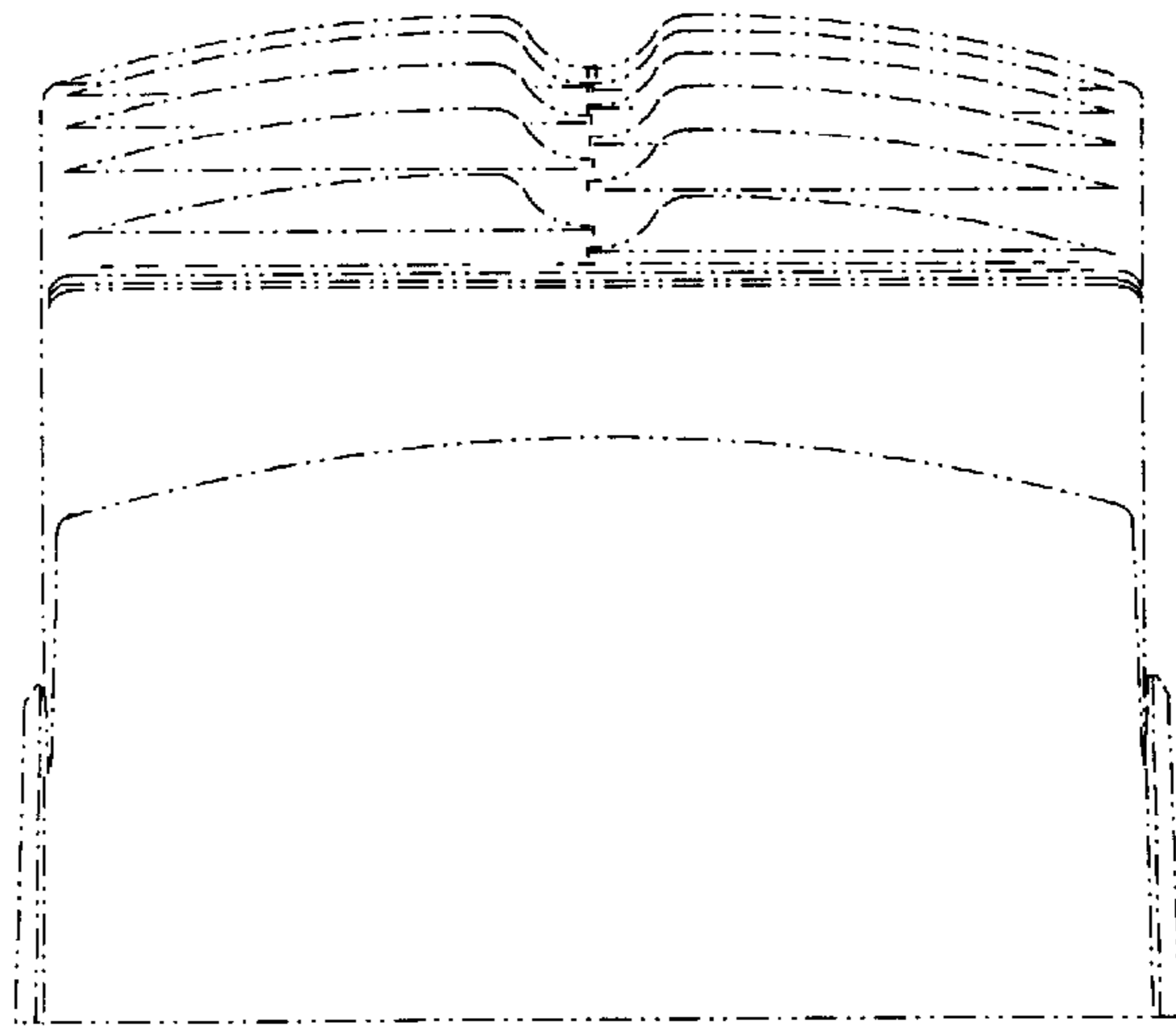


FIG. 4

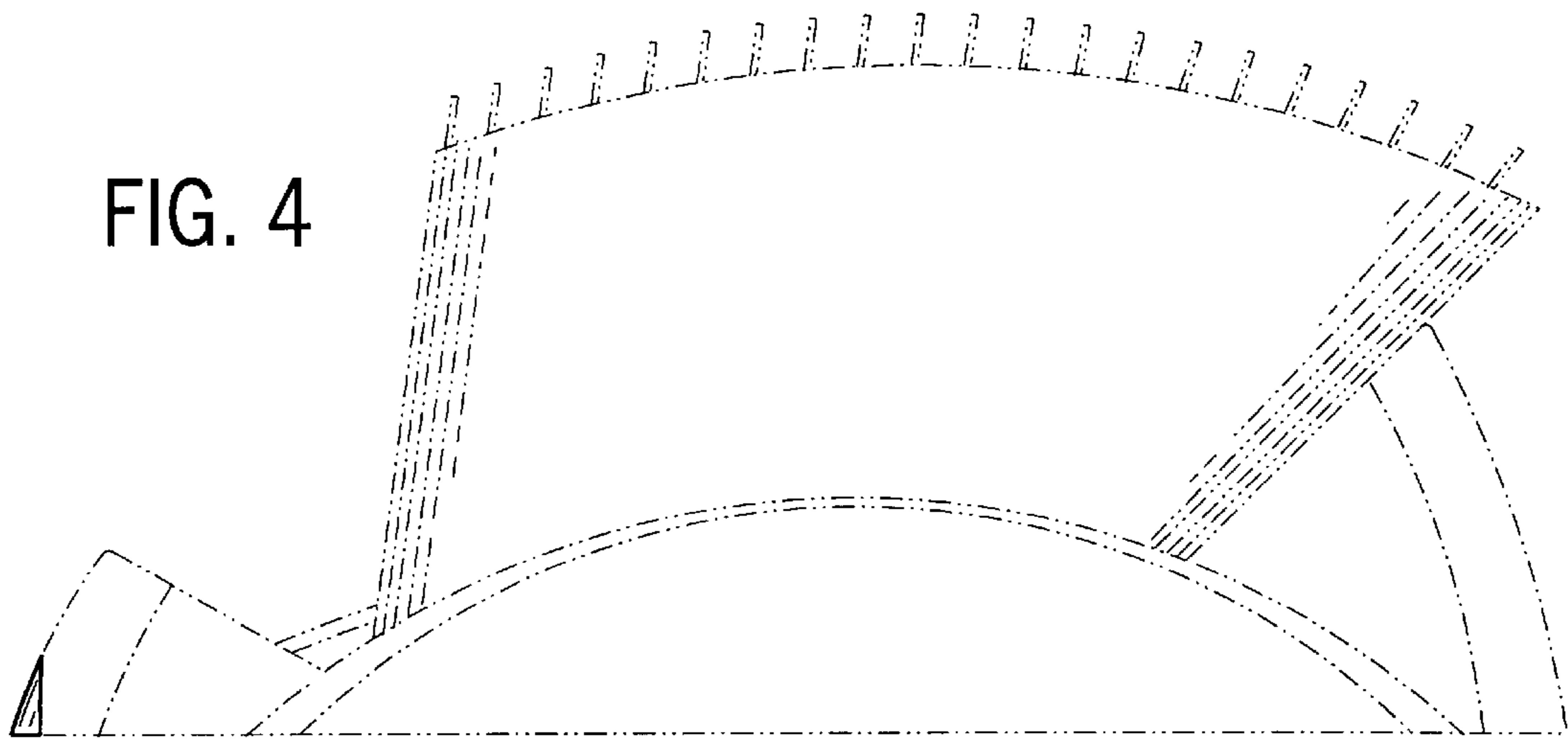


FIG. 5

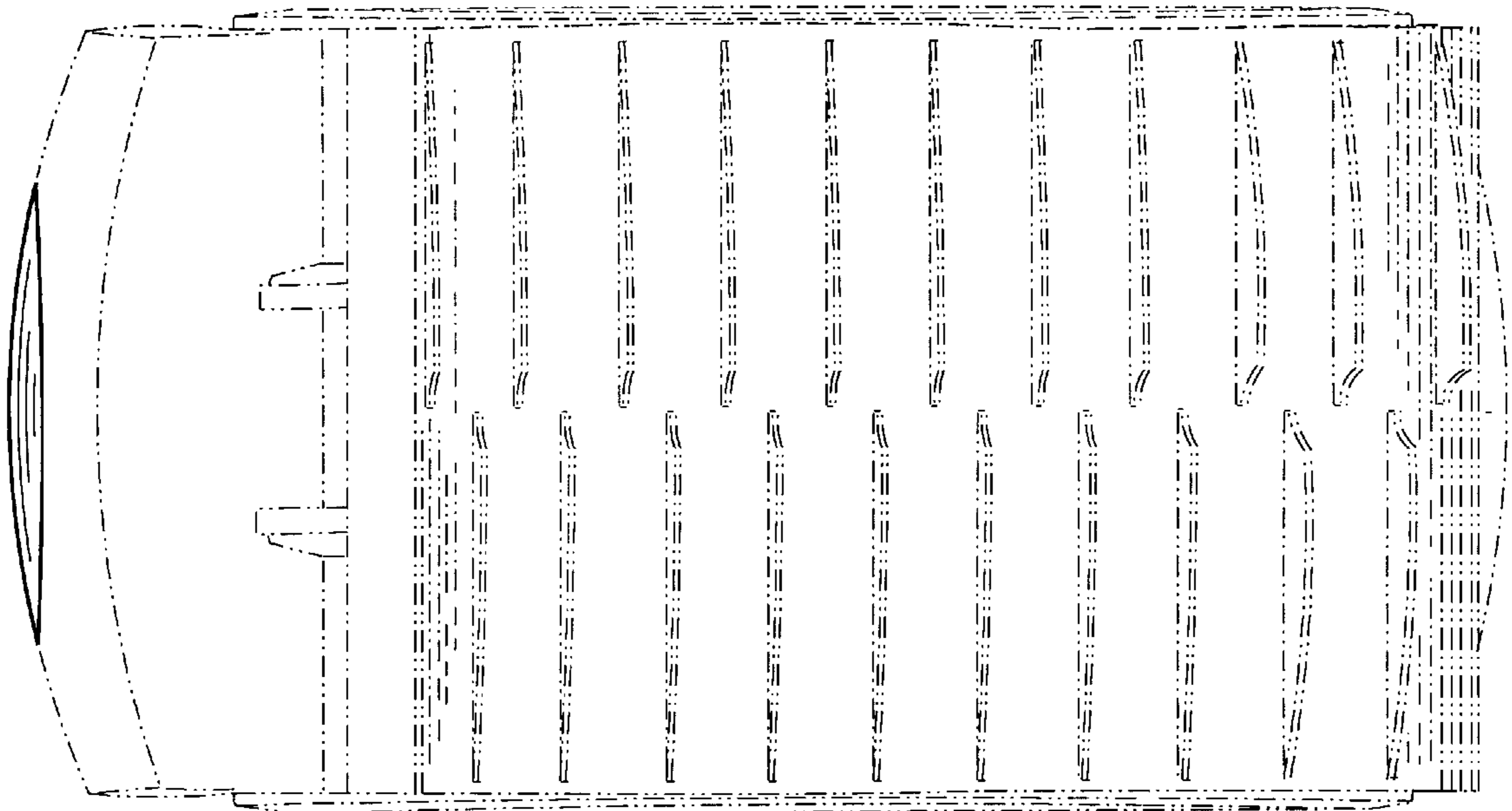
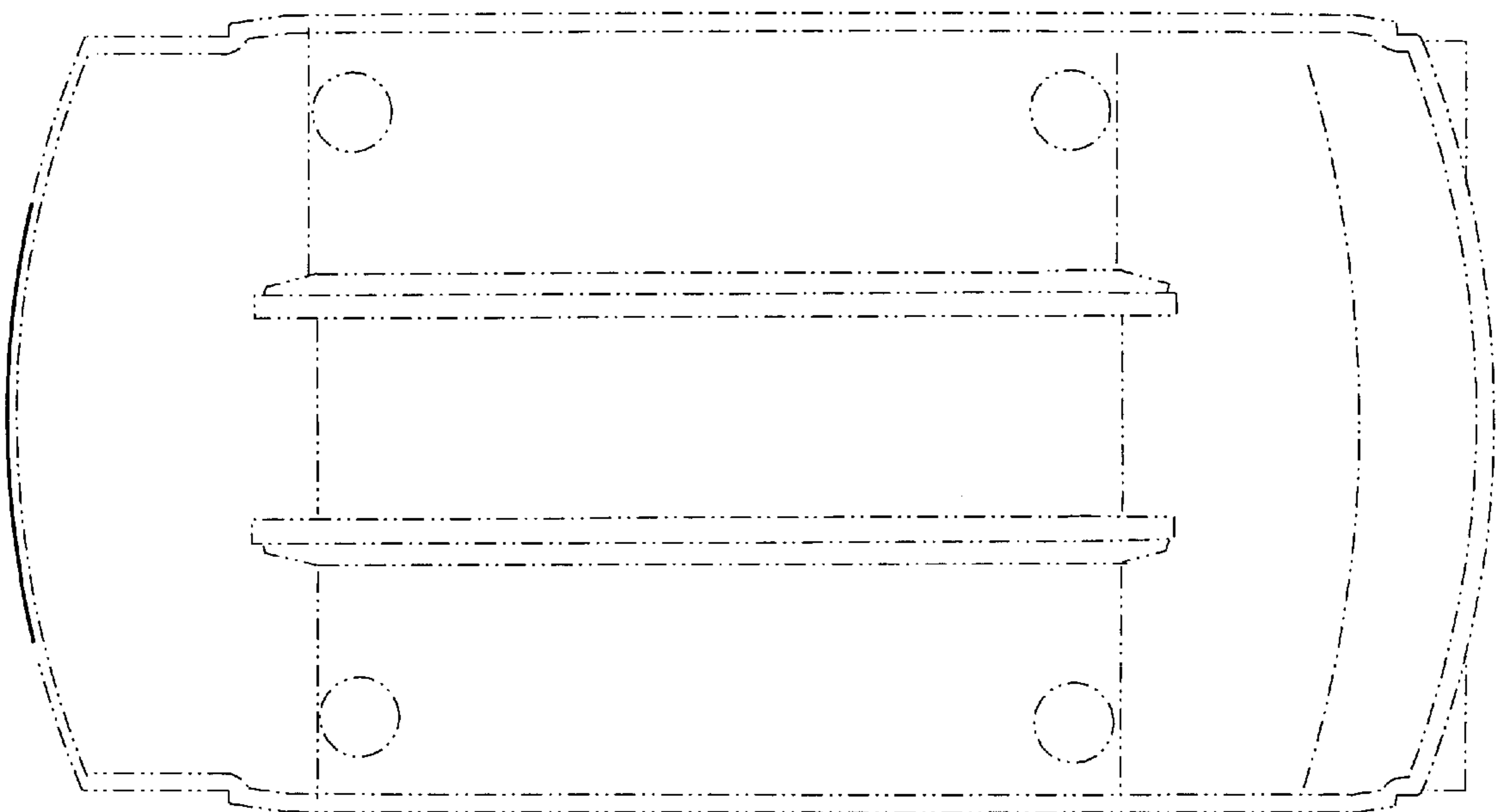


FIG. 6



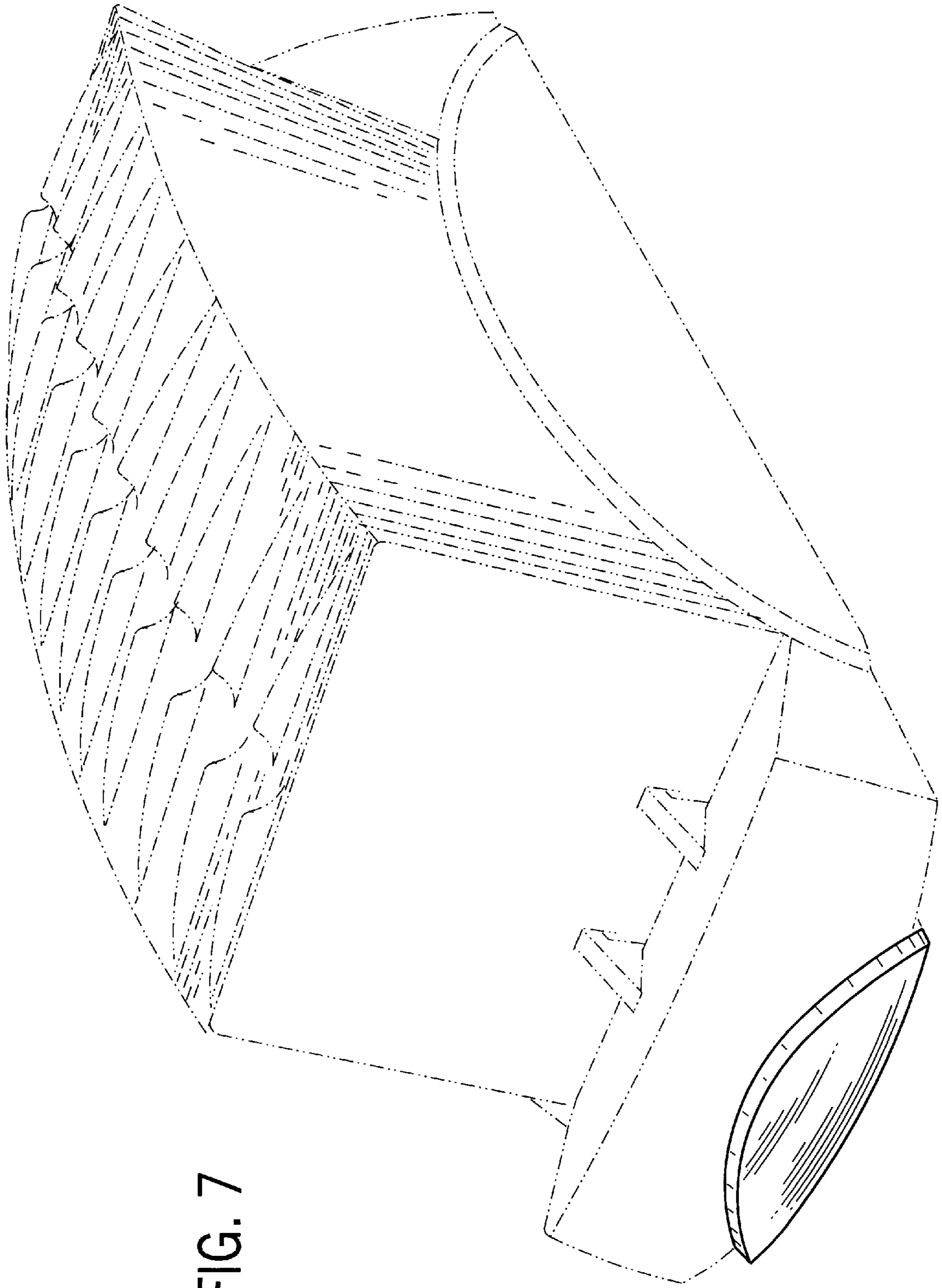


FIG. 7

FIG. 8

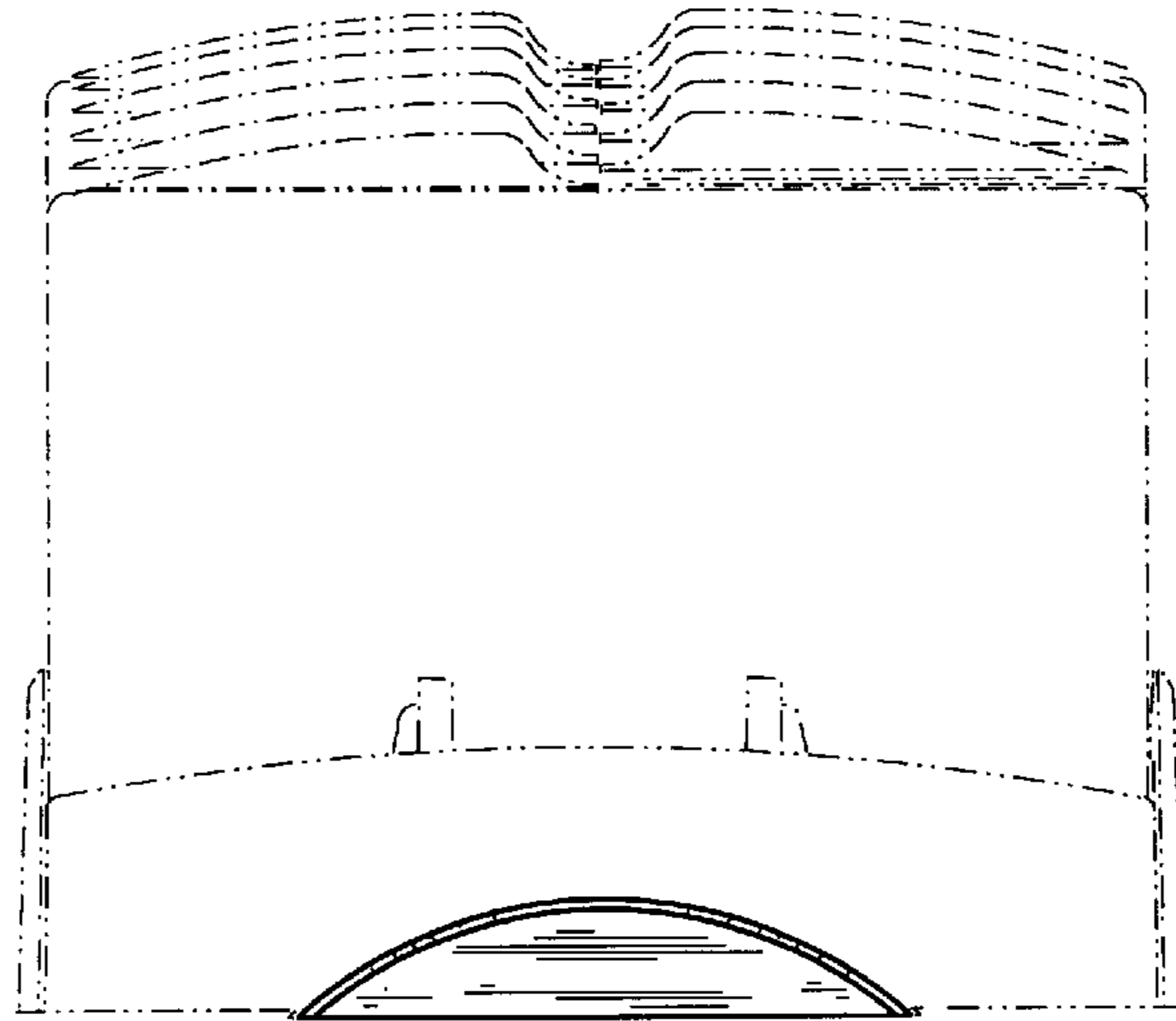


FIG. 9

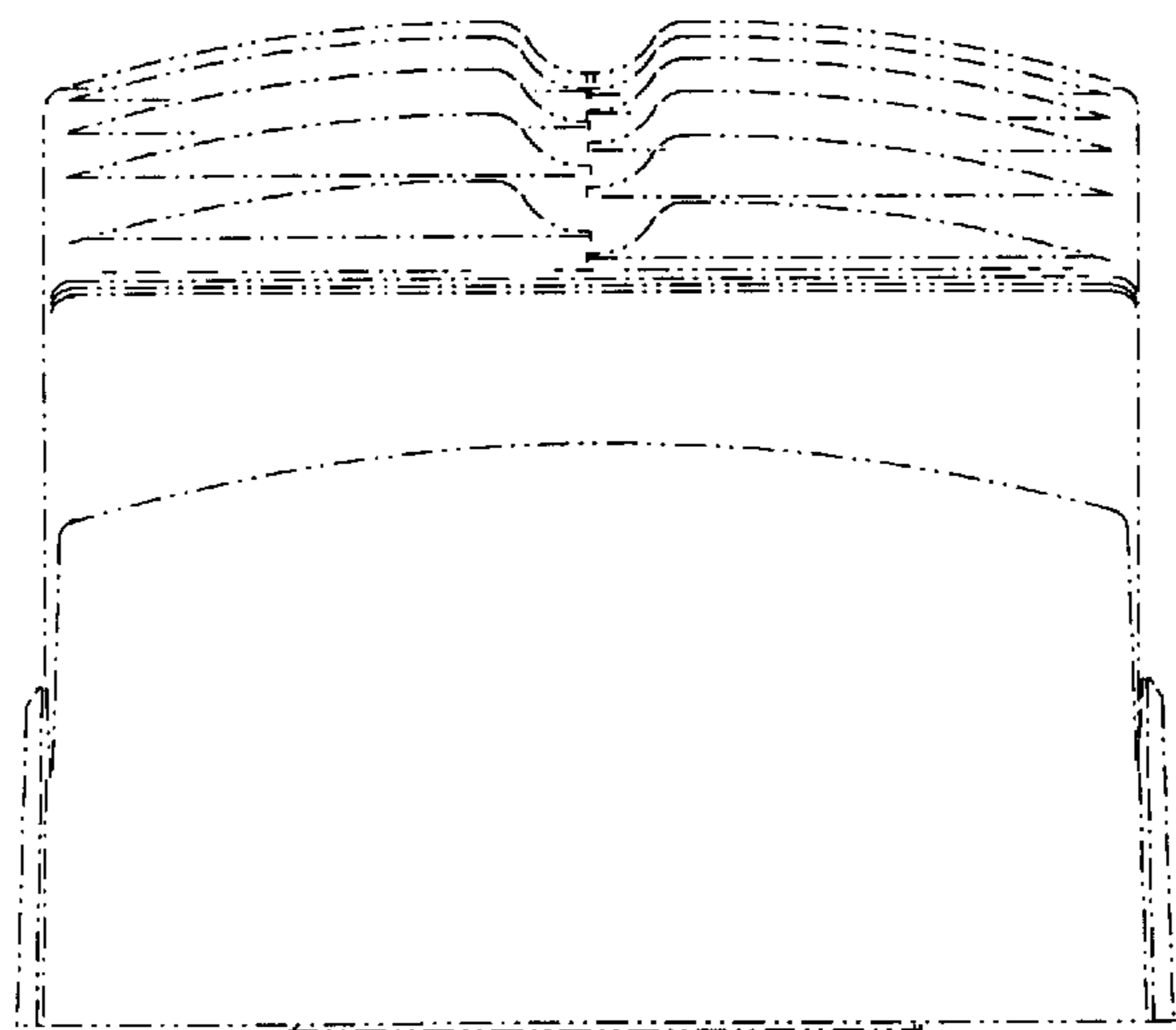


FIG. 10

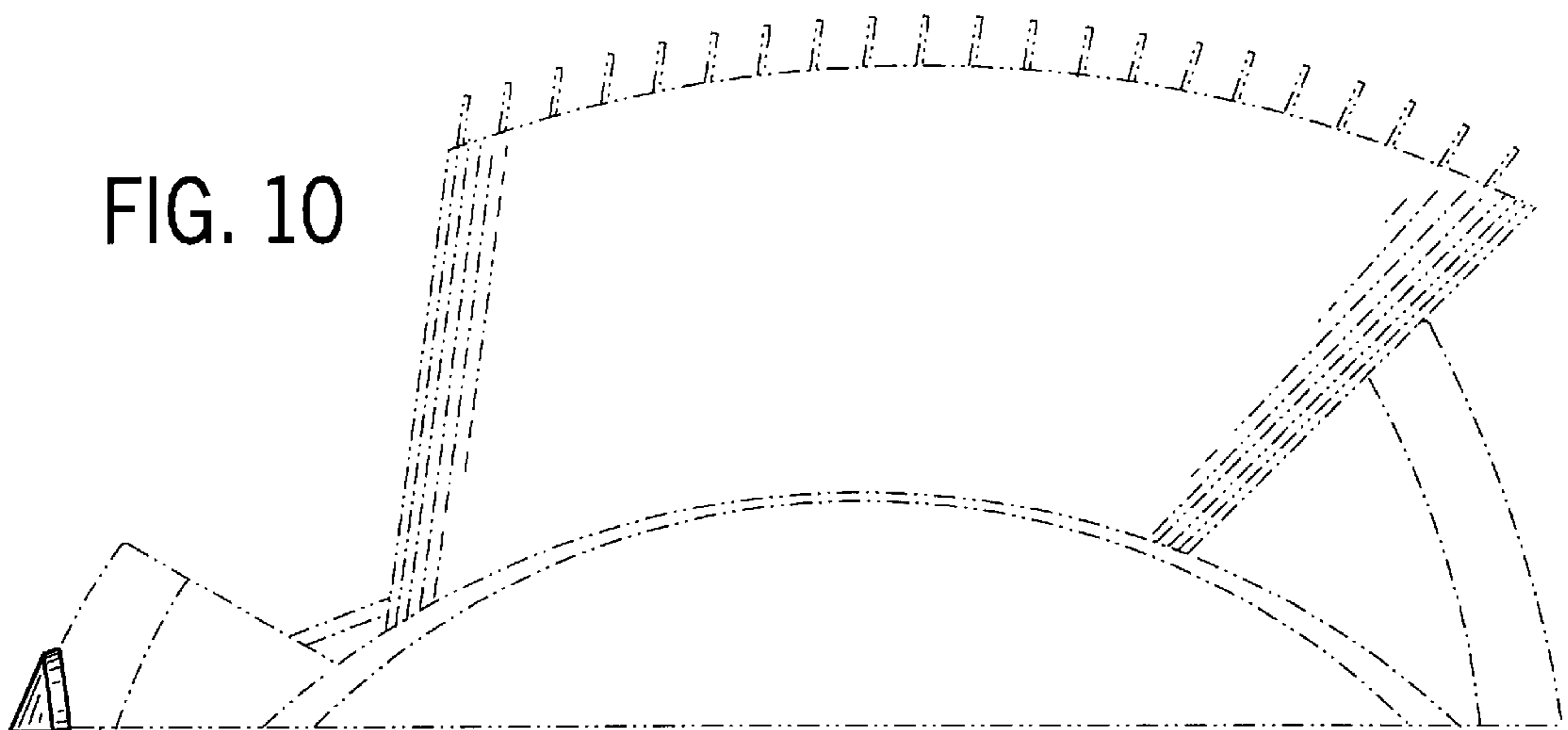


FIG. 11

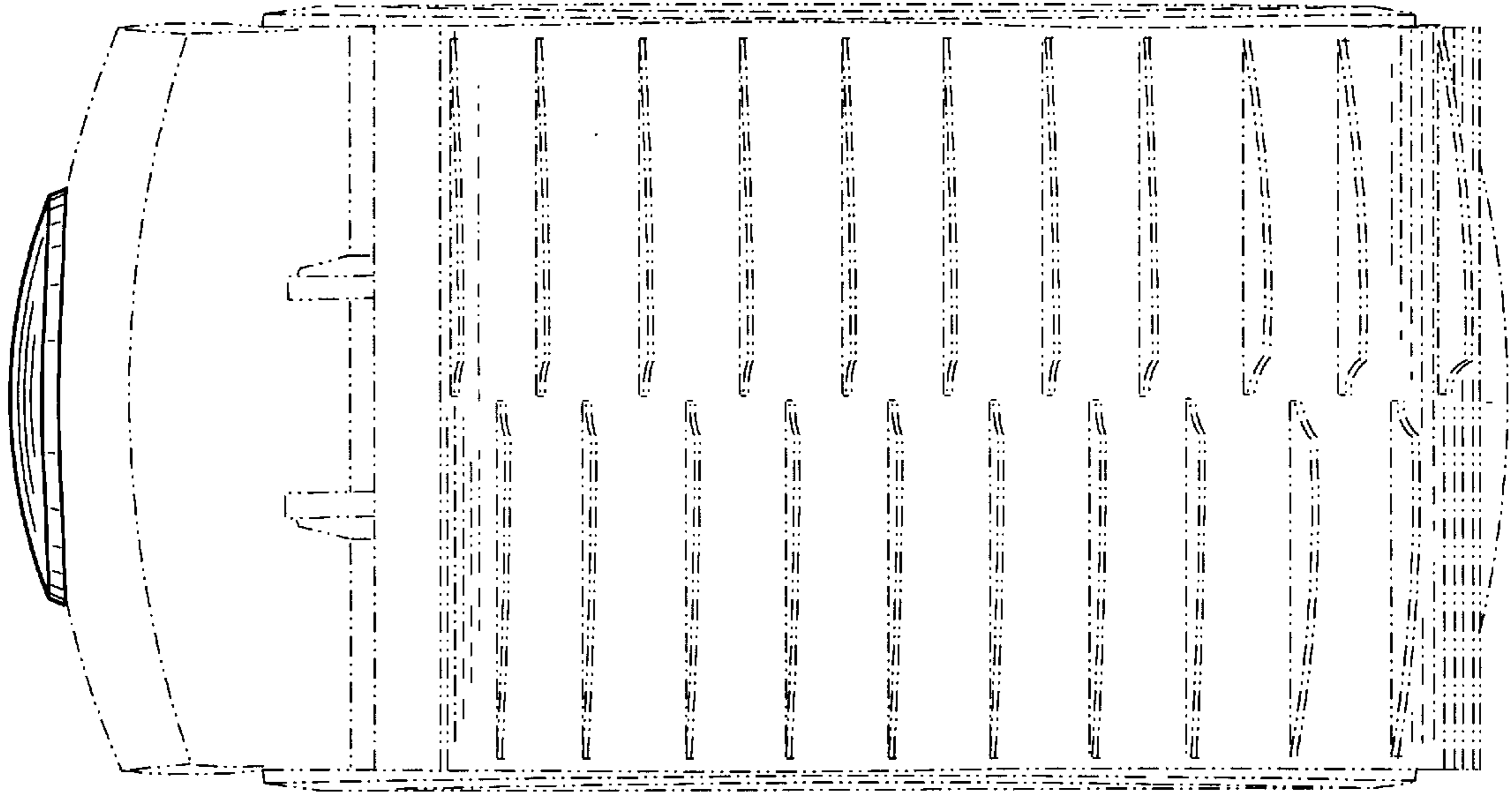


FIG. 12

