



US00D425126S

United States Patent [19]

Holguin et al.

[11] Patent Number: Des. 425,126

[45] Date of Patent: ** May 16, 2000

[54] STACK DIVIDER

[75] Inventors: **Roberto Holguin; Ariane Kempken; Denise Steiner; Ana Schedler; Meeyoung Chung Melamed**, all of Chicago; **Fred Edward Cecala**, Mount Prospect, all of Ill.

[73] Assignee: **ACCO Brands, Inc.**, Lincolnshire, Ill.

[**] Term: **14 Years**

[21] Appl. No.: **29/093,564**

[22] Filed: **Sep. 14, 1998**

[51] LOC (7) Cl. **19-02**

[52] U.S. Cl. **D19/65; D19/86**

[58] Field of Search D19/35, 36, 26, D19/22, 65, 75, 86, 91, 99, 100; 211/50; 281/42, 45, 29; 24/16 R, 17 R, 17 A, 17 B, 17 PB, 67 R, 67.9, 545-547

[56] References Cited

U.S. PATENT DOCUMENTS

D. 119,165	2/1940	Guild	D19/32
137,000	3/1873	Hunt .	
216,543	6/1879	Weaver .	
299,323	5/1884	Ball .	
369,543	9/1887	Matthews .	
451,657	5/1891	Blaisdell .	
504,213	8/1893	Goodwin et al. .	
783,365	2/1905	Coleman .	
1,333,102	3/1920	Dietsche .	
1,439,138	12/1922	White	24/67.9
1,902,206	3/1933	Wrigley .	
1,926,359	9/1933	Anthony	24/17
1,980,843	11/1934	Andrews	24/17

1,986,649	1/1935	Steele	24/17
2,194,220	3/1940	Elder	40/21
2,286,181	6/1942	Steele	24/17
2,299,697	10/1942	Gruber	24/17
4,184,628	1/1980	Schultz	24/17
4,572,546	2/1986	Morrison	281/42
5,079,803	1/1992	Moore	24/17
5,140,724	8/1992	Crisanti	24/17
5,375,885	12/1994	Abercrombie	281/42
5,904,374	5/1999	Lee	281/29

OTHER PUBLICATIONS

U.S. application No. 09/152,225, for Holguin et al., filed on Sep. 14, 1998.

Primary Examiner—Martie K. Holtje
Attorney, Agent, or Firm—Pennie & Edmonds LLP

[57] CLAIM

The ornamental design for a stack divider, as shown and described.

DESCRIPTION

FIG. 1 is a top-left perspective view of a stack divider showing our new design folded around a stack which is shown in phantom lines; FIG. 2 is a top view thereof; FIG. 3 is a bottom view thereof; FIG. 4 is a left side view thereof; FIG. 5 is a right side view thereof; FIG. 6 is a front view thereof; FIG. 7 is a rear view thereof; and, FIG. 8 is a top view thereof in a flat position. The portions shown in phantom lines including the stack and the the embossment are not part of the claimed invention, but are included to show environment.

1 Claim, 2 Drawing Sheets

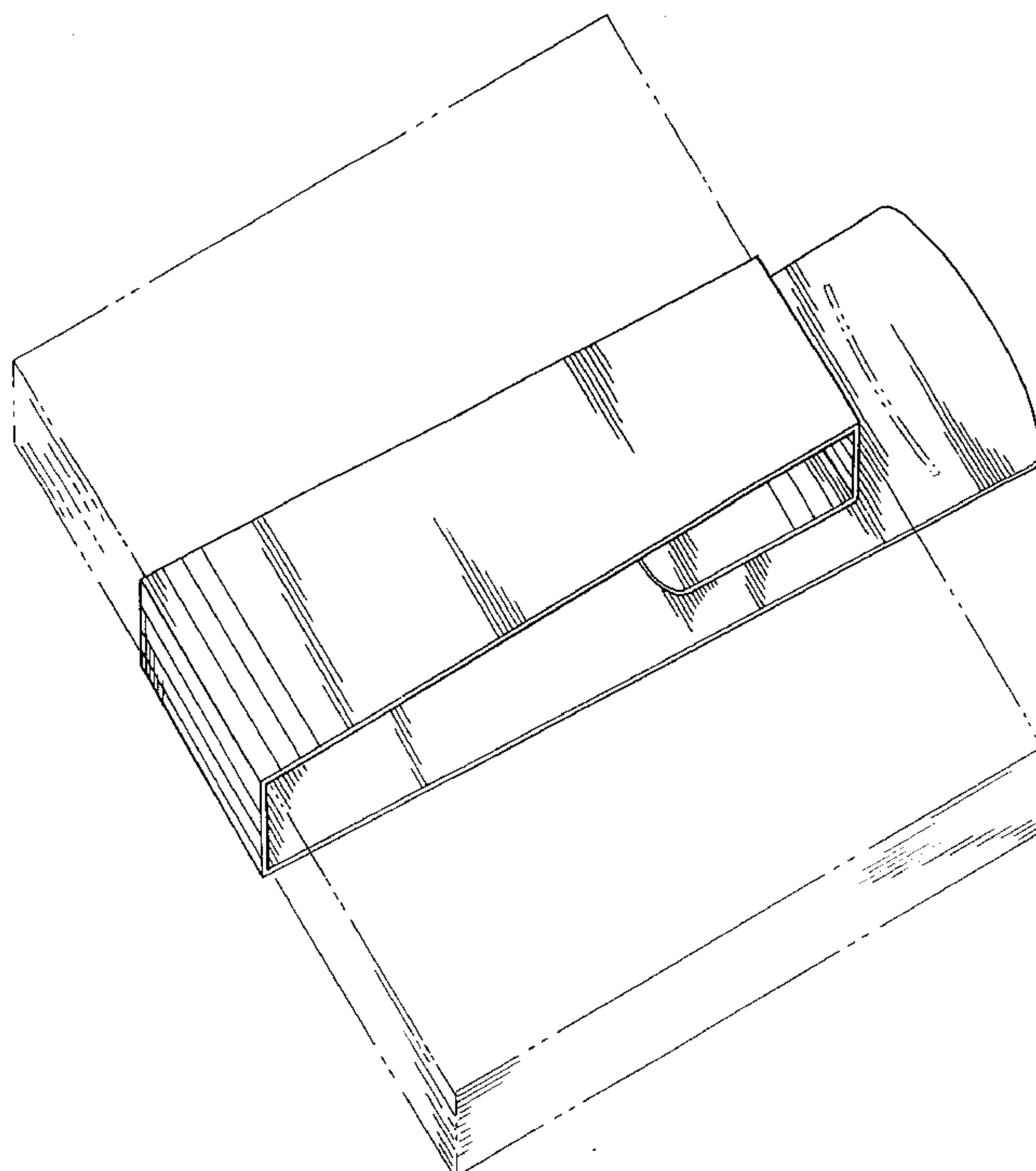


FIG. 1

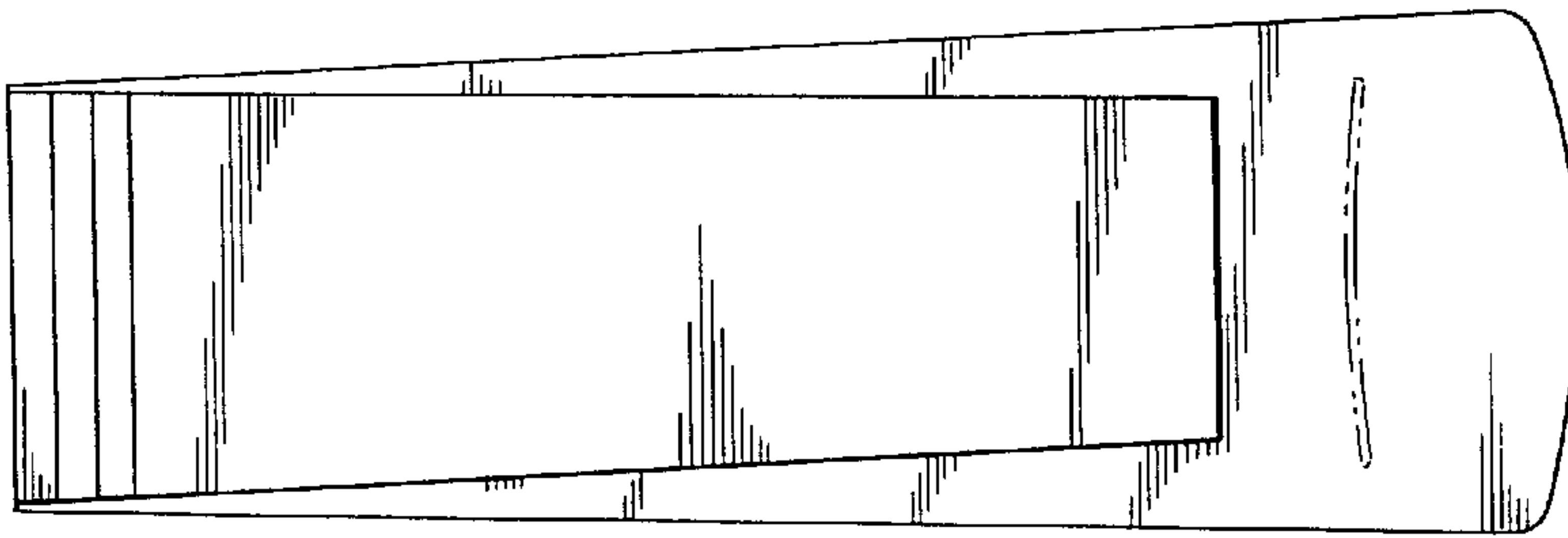
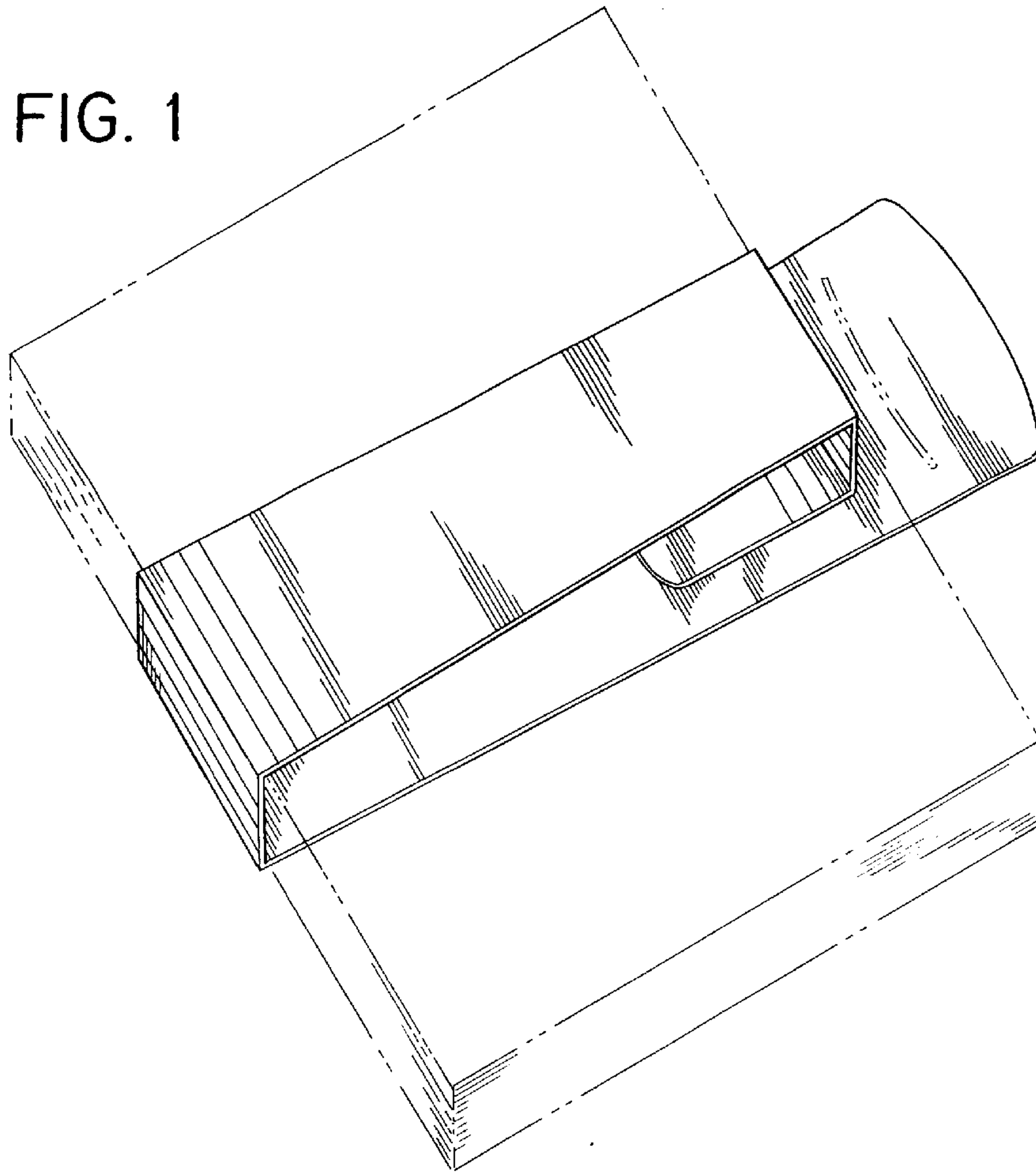


FIG. 2

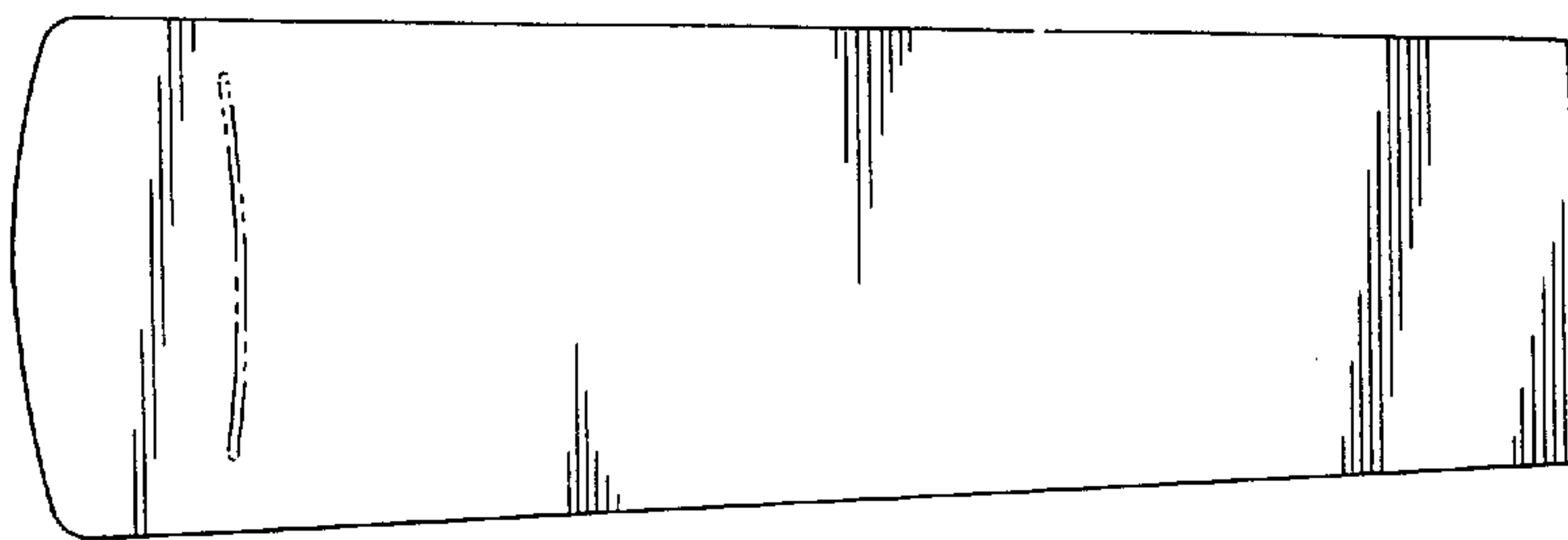


FIG. 3

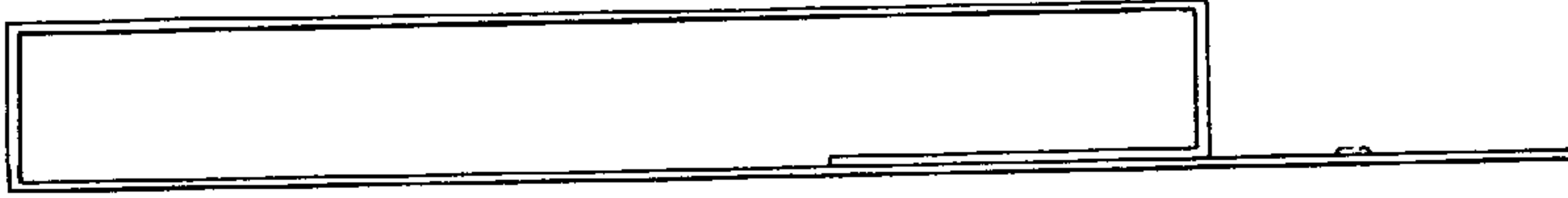


FIG. 4

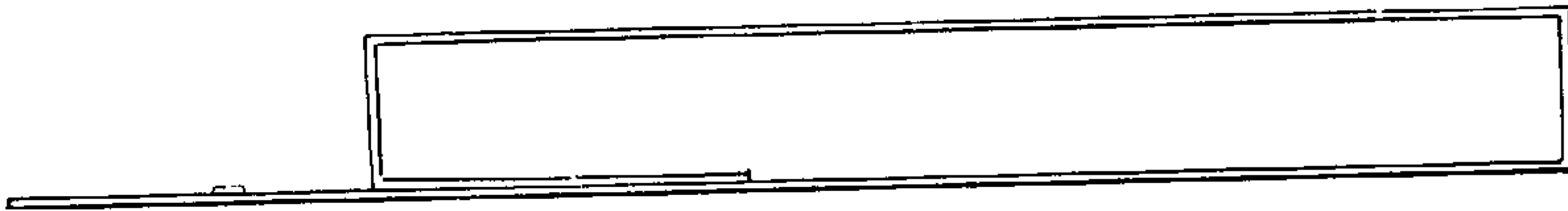


FIG. 5

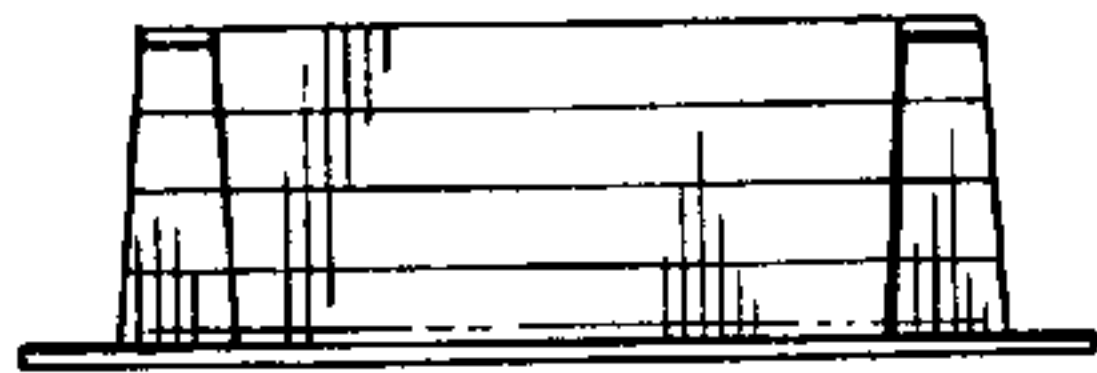


FIG. 6

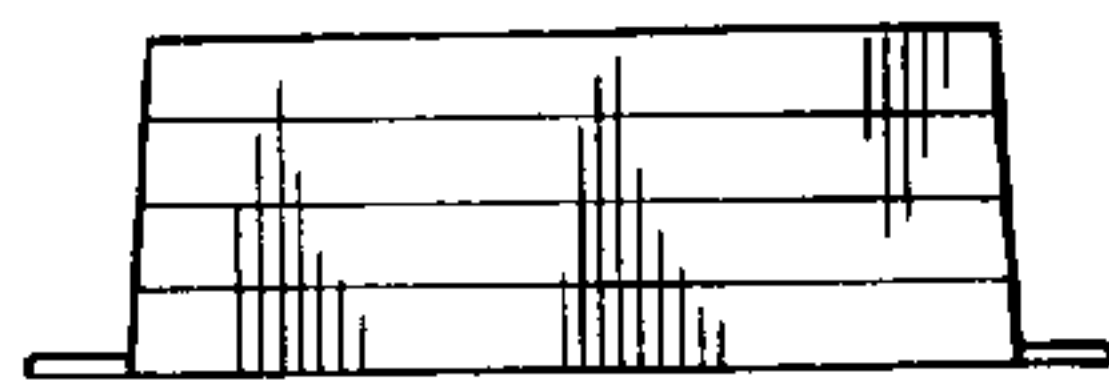


FIG. 7

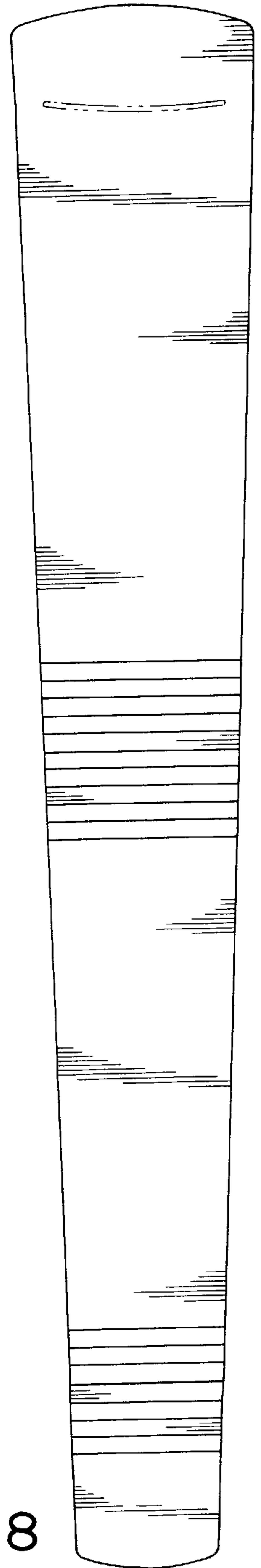


FIG. 8