



US00D425125S

United States Patent [19]

[11] Patent Number: Des. 425,125

Leins

[45] Date of Patent: ** May 16, 2000

[54] MULTI PURPOSE HAND OPERATED OFFICE UTENSIL

[75] Inventor: Hanspeter Leins, Nagold, Germany

[73] Assignee: C-Tech AG, Switzerland

[**] Term: 14 Years

[21] Appl. No.: 29/057,648

[22] Filed: Jul. 29, 1996

[51] LOC (7) Cl. 19-02

[52] U.S. Cl. D19/65; D8/105

[58] Field of Search D19/65, 75, 77, D19/81-85, 99, 100; D8/98, 104, 105; 7/118, 119, 160, 163, 164; 30/152

[56] References Cited

U.S. PATENT DOCUMENTS

- D. 302,102 7/1989 Amagaya .
- D. 318,070 7/1991 Amagaya .
- 662,005 11/1900 Lewis .
- 790,432 5/1905 Heilrath .
- 857,459 6/1907 Hendrickson .
- 4,783,867 11/1988 Tsao .
- 4,794,692 1/1989 Wang .

FOREIGN PATENT DOCUMENTS

- P.A.190350-3458 6/1958 Germany .
- 26 25 749 A1 12/1977 Germany .
- 41 10 688 A1 9/1991 Germany .
- 2196896 4/1988 United Kingdom .
- WO 84/01739 5/1984 WIPO .

OTHER PUBLICATIONS

Brochure, "Wenger. The Genuine Swiss Army Knife", 27 pages.

Brochure, "Wenger. The Genuine Swiss Army Knife™", 16 pages.

Six Photographs Showing Top, Bottom, Left-Side, Right-Side, Front and Rear views of "MoMA Plus" device.

Primary Examiner—Martie K. Holtje

Attorney, Agent, or Firm—Brinks Hofer Gilson & Lione

[57] CLAIM

The ornamental design for a multi purpose hand operated office utensil, as shown and described.

DESCRIPTION

FIG. 1 is a top perspective view of a multi purpose hand operated office utensil showing my new design; FIG. 2 is a bottom perspective view of FIG. 1; FIG. 3 is a left side elevational view of FIG. 1; FIG. 4 is a right side elevational view of FIG. 1; FIG. 5 is a top plan view of FIG. 1; FIG. 6 is a bottom plan view of FIG. 1; FIG. 7 is a rear elevational view of FIG. 1; FIG. 8 is a front elevational view of FIG. 1; FIG. 9 is a second top perspective view of my new design of FIG. 1; FIG. 10 is a bottom perspective view of FIG. 9; FIG. 11 is a left side elevational view of FIG. 9; FIG. 12 is a right side elevational view of FIG. 9; FIG. 13 is a top plan view of FIG. 9; FIG. 14 is a bottom plan view of FIG. 9; FIG. 15 is a rear elevational view of FIG. 9; FIG. 16 is a front elevational view of FIG. 9; FIG. 17 is a third top perspective view of my design of FIG. 1; FIG. 18 is a bottom perspective view of FIG. 17; FIG. 19 is a left side elevational view of FIG. 17; FIG. 20 is a right side elevational view of FIG. 17; FIG. 21 is a top plan view of FIG. 17; FIG. 22 is a bottom plan view of FIG. 17; FIG. 23 is a rear elevational view of FIG. 17; FIG. 24 is a front elevational view of FIG. 17; FIG. 25 is a fourth top perspective view of my design of FIG. 1; FIG. 26 is a bottom perspective view of FIG. 25; FIG. 27 is a left side elevational view of FIG. 25; FIG. 28 is a right side elevational view of FIG. 25; FIG. 29 is a top plan view of FIG. 25; FIG. 30 is a bottom plan view of FIG. 25; FIG. 31 is a rear elevational view of FIG. 25; and FIG. 32 is a front elevational view of FIG. 25. FIG. 33 is a fifth top perspective view of my design of FIG. 1; FIG. 34 is a bottom perspective view of FIG. 33; FIG. 35 is a left side elevational view of FIG. 33;

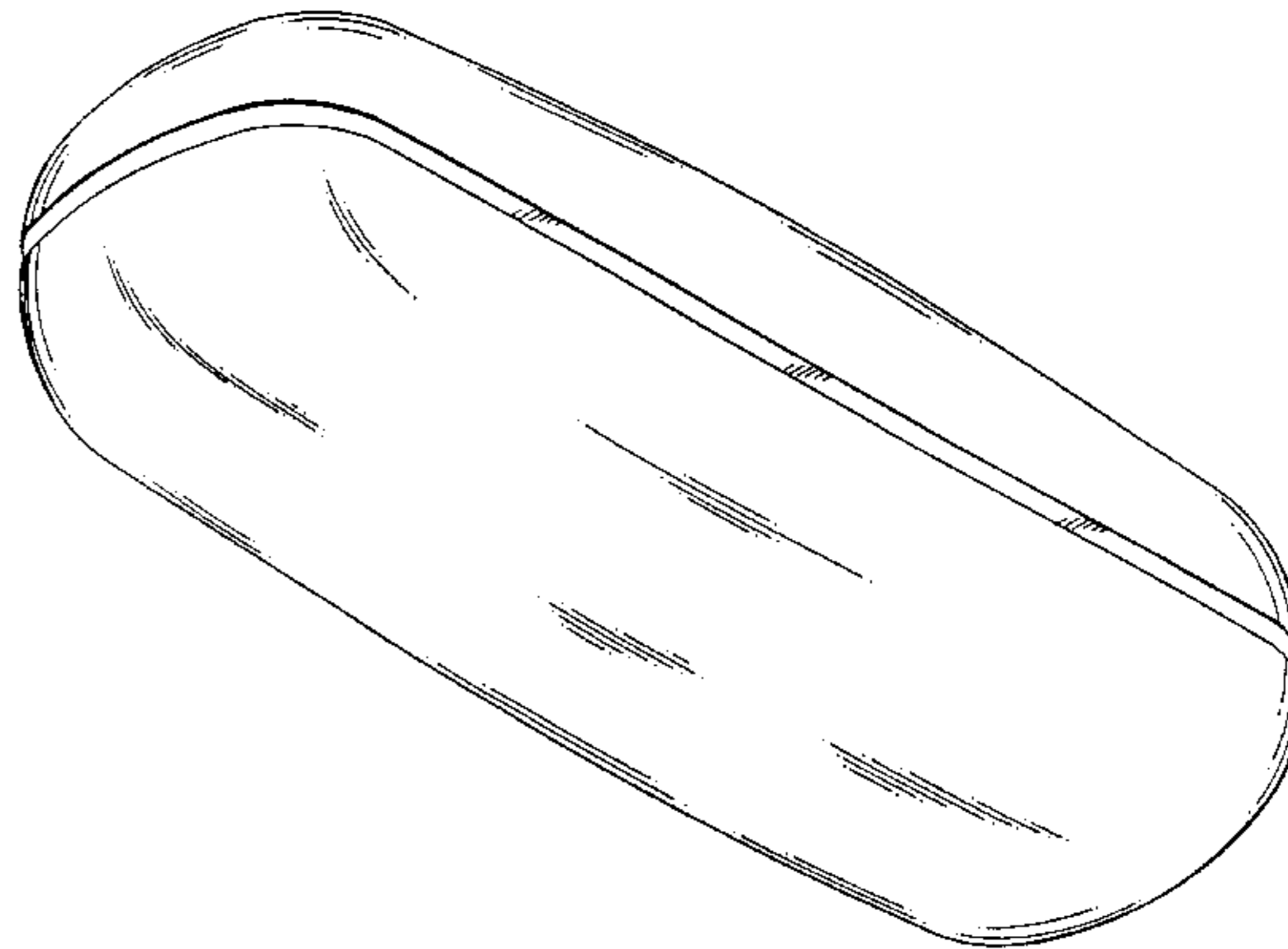
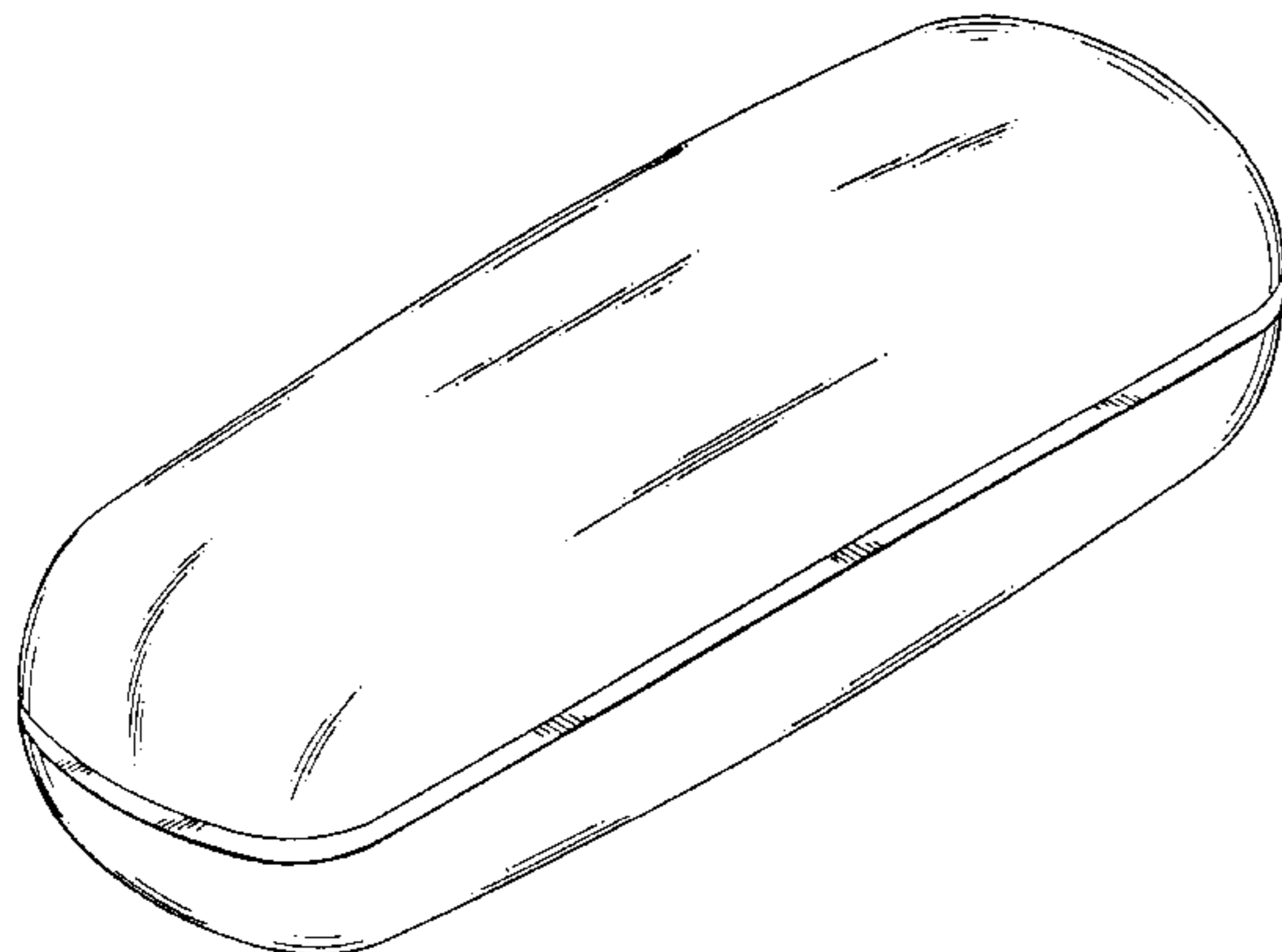


FIG. 36 is a right side elevational view of FIG. 33;
FIG. 37 is a top plan view of FIG. 33;
FIG. 38 is a bottom plan view of FIG. 33;
FIG. 39 is a rear elevational view of FIG. 33; and
FIG. 40 is a front elevational view of FIG. 33.
FIG. 41 is a sixth top perspective view of my design of FIG. 1;
FIG. 42 is a bottom perspective view of FIG. 41;
FIG. 43 is a left side elevational view of FIG. 41;
FIG. 44 is a right side elevational view of FIG. 41;
FIG. 45 is a top plan view of FIG. 41;
FIG. 46 is a bottom plan view of FIG. 41;
FIG. 47 is a rear elevational view of FIG. 41;
FIG. 48 is a front elevational view of FIG. 41;
FIG. 49 is a seventh top perspective view of my new design of FIG. 1;
FIG. 50 is a bottom perspective view of FIG. 49;
FIG. 51 is a left side elevational view of FIG. 49;
FIG. 52 is a right side elevational view of FIG. 49;
FIG. 53 is a top plan view of FIG. 49;
FIG. 54 is a bottom plan view of FIG. 49;
FIG. 55 is a rear elevational view of FIG. 49;
FIG. 56 is a front elevational view of FIG. 49;
FIG. 57 is a eighth top perspective view of my design of FIG. 1;

FIG. 58 is a bottom perspective view of FIG. 57;
FIG. 59 is a left side elevational view of FIG. 57;
FIG. 60 is a right side elevational view of FIG. 57;
FIG. 61 is a top plan view of FIG. 57;
FIG. 62 is a bottom plan view of FIG. 57;
FIG. 63 is a rear elevational view of FIG. 57;
FIG. 64 is a front elevational view of FIG. 57;
FIG. 65 is a ninth top perspective view of my design of FIG. 1;
FIG. 66 is a bottom perspective view of FIG. 65;
FIG. 67 is a left side elevational view of FIG. 65;
FIG. 68 is a right side elevational view of FIG. 65;
FIG. 69 is a top plan view of FIG. 65;
FIG. 70 is a bottom plan view of FIG. 65;
FIG. 71 is a rear elevational view of FIG. 65; and,
FIG. 72 is a front elevational view of FIG. 65.

The variety of structural elements depicted by means of broken lines in FIGS. 9 through 72 have been shown for environmental purposes only and form no part of the claimed design.

1 Claim, 27 Drawing Sheets

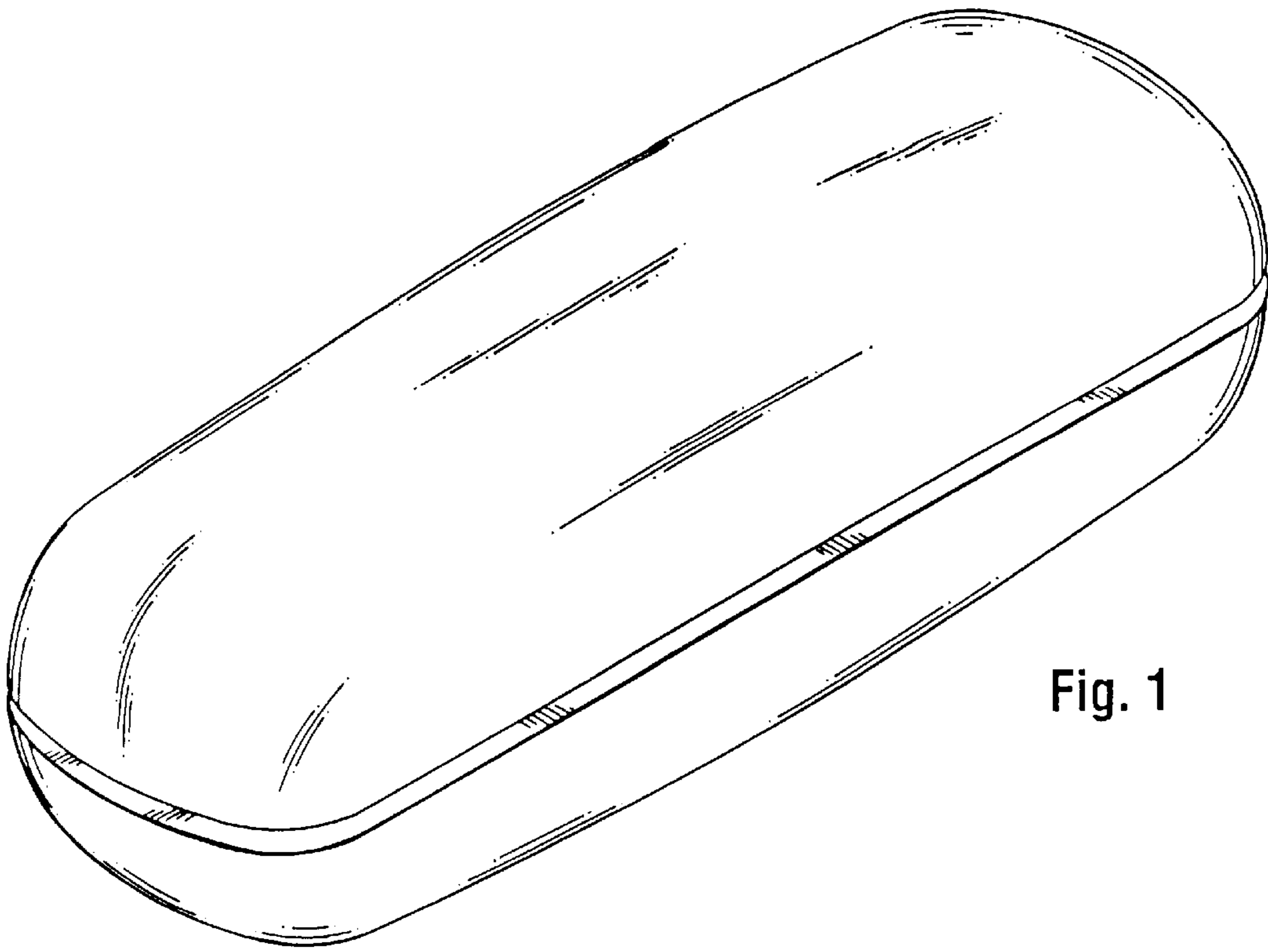


Fig. 1

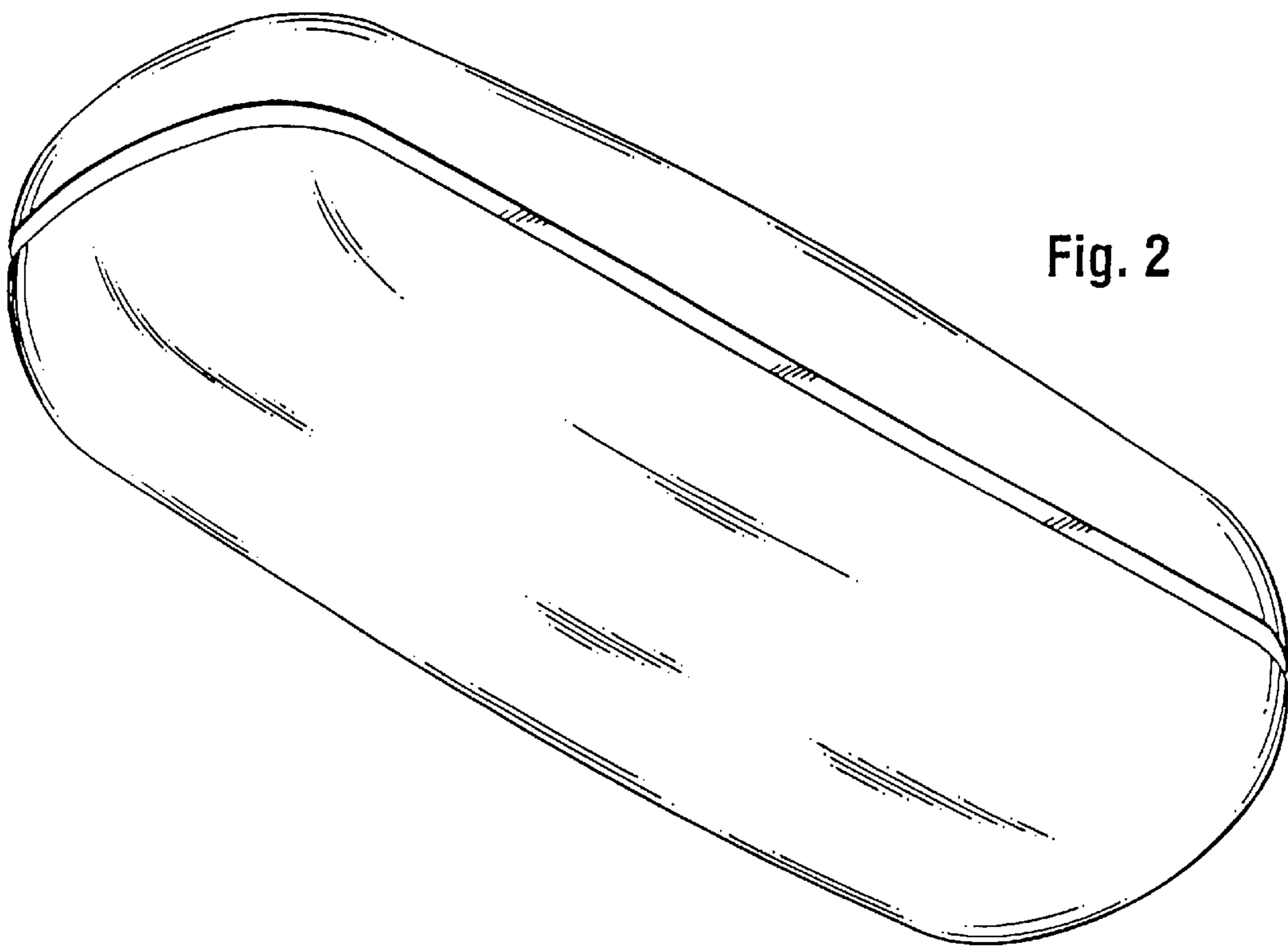


Fig. 2

Fig. 3

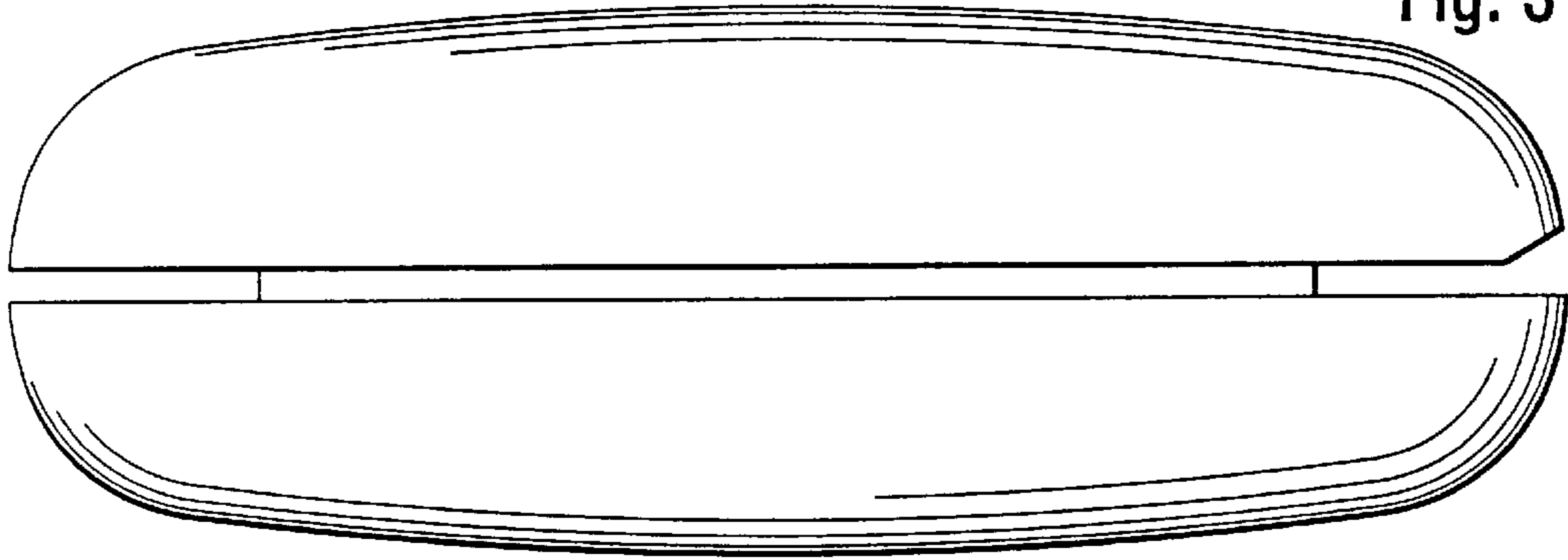


Fig. 4

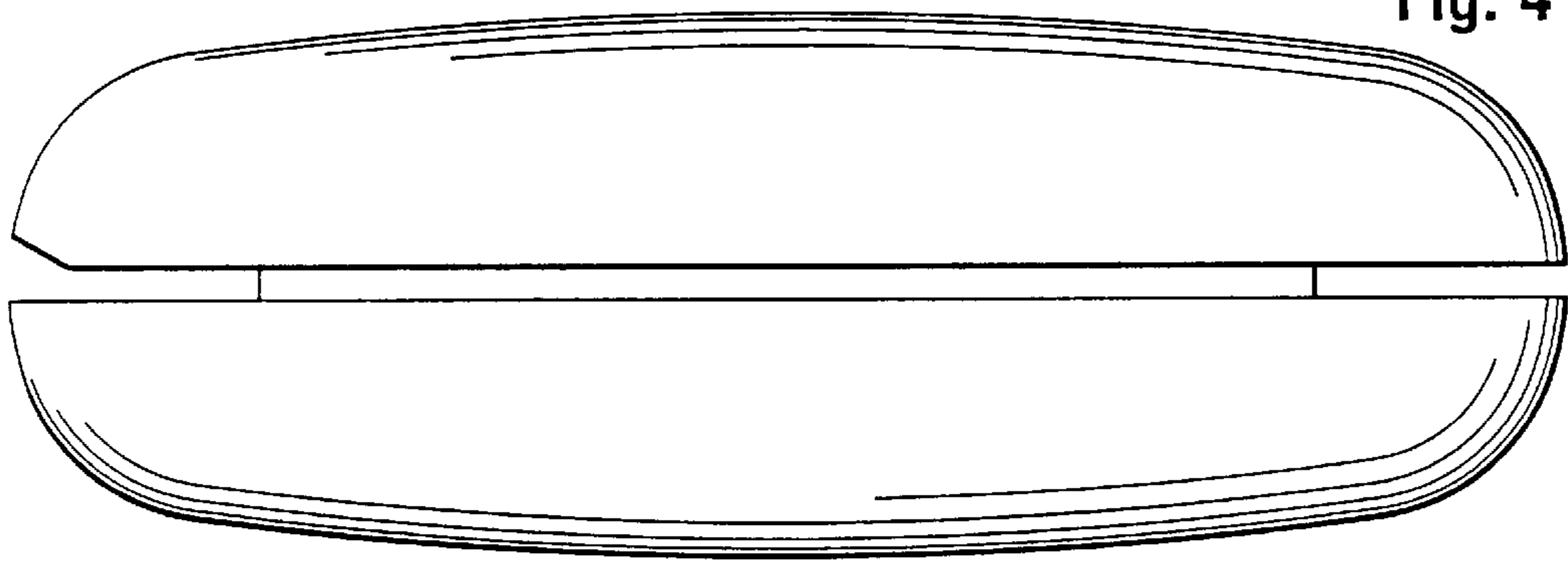


Fig. 5

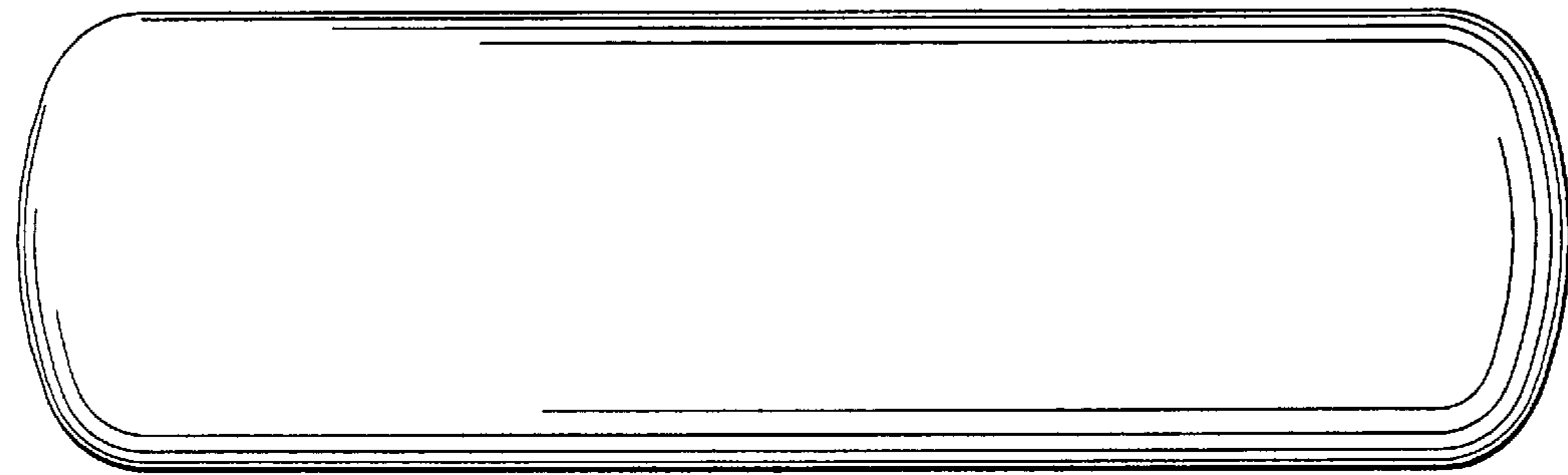


Fig. 6

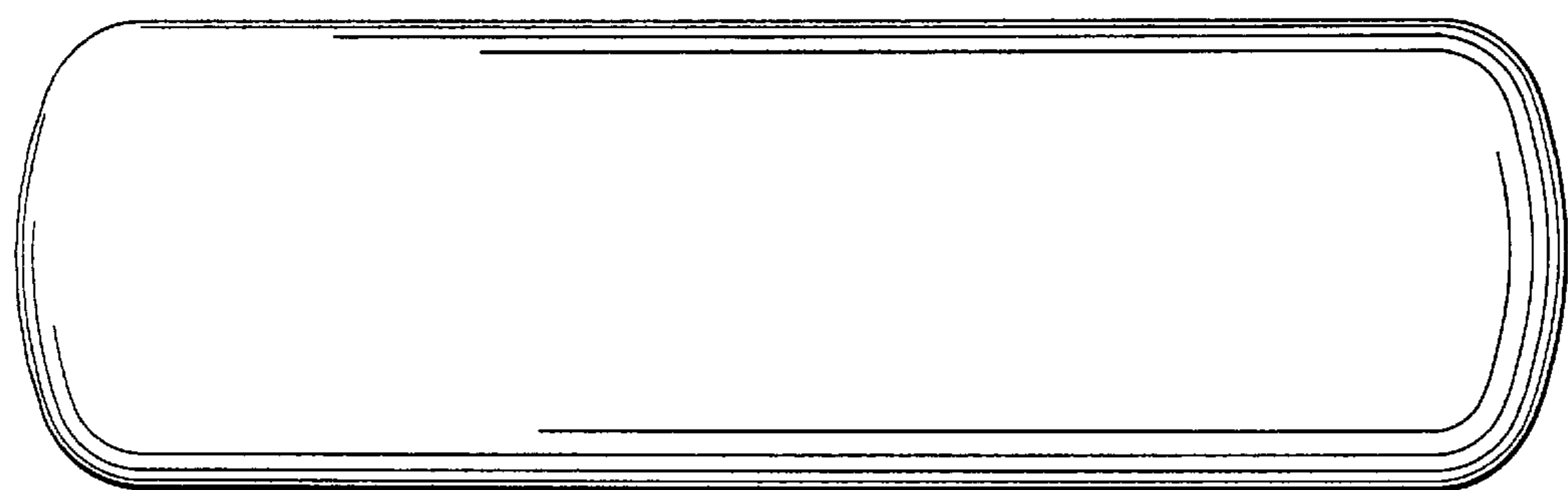


Fig. 7

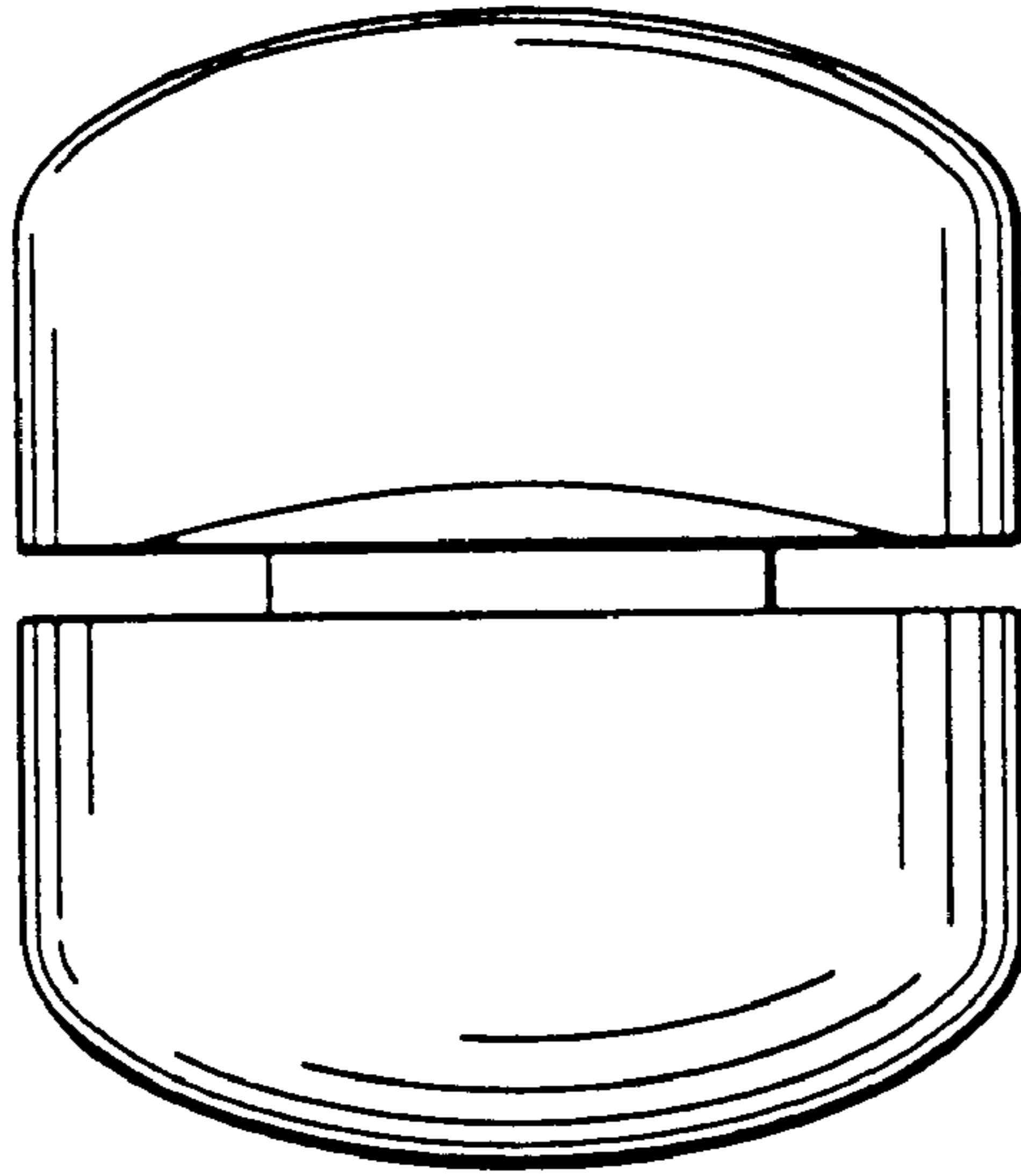
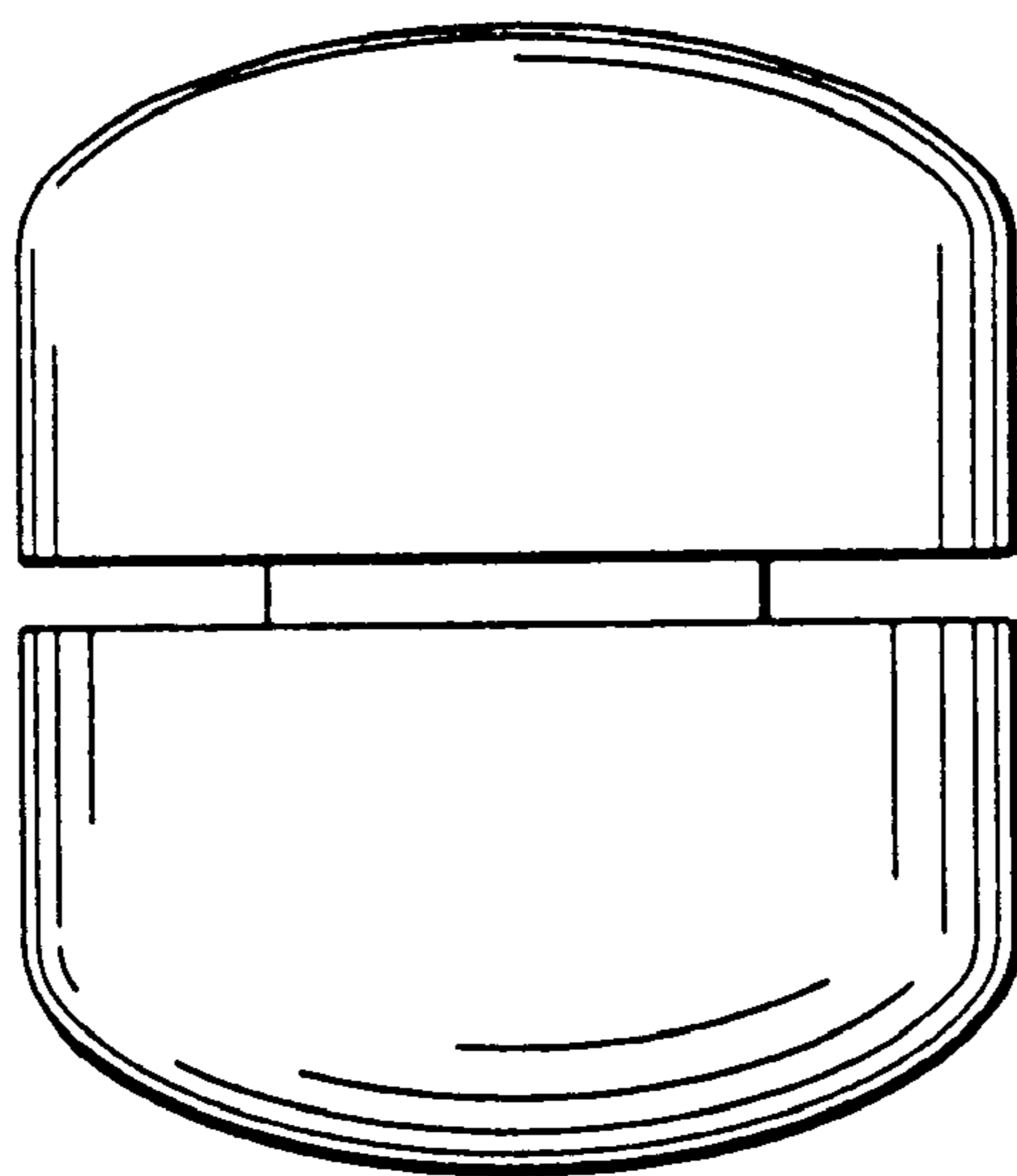


Fig. 8



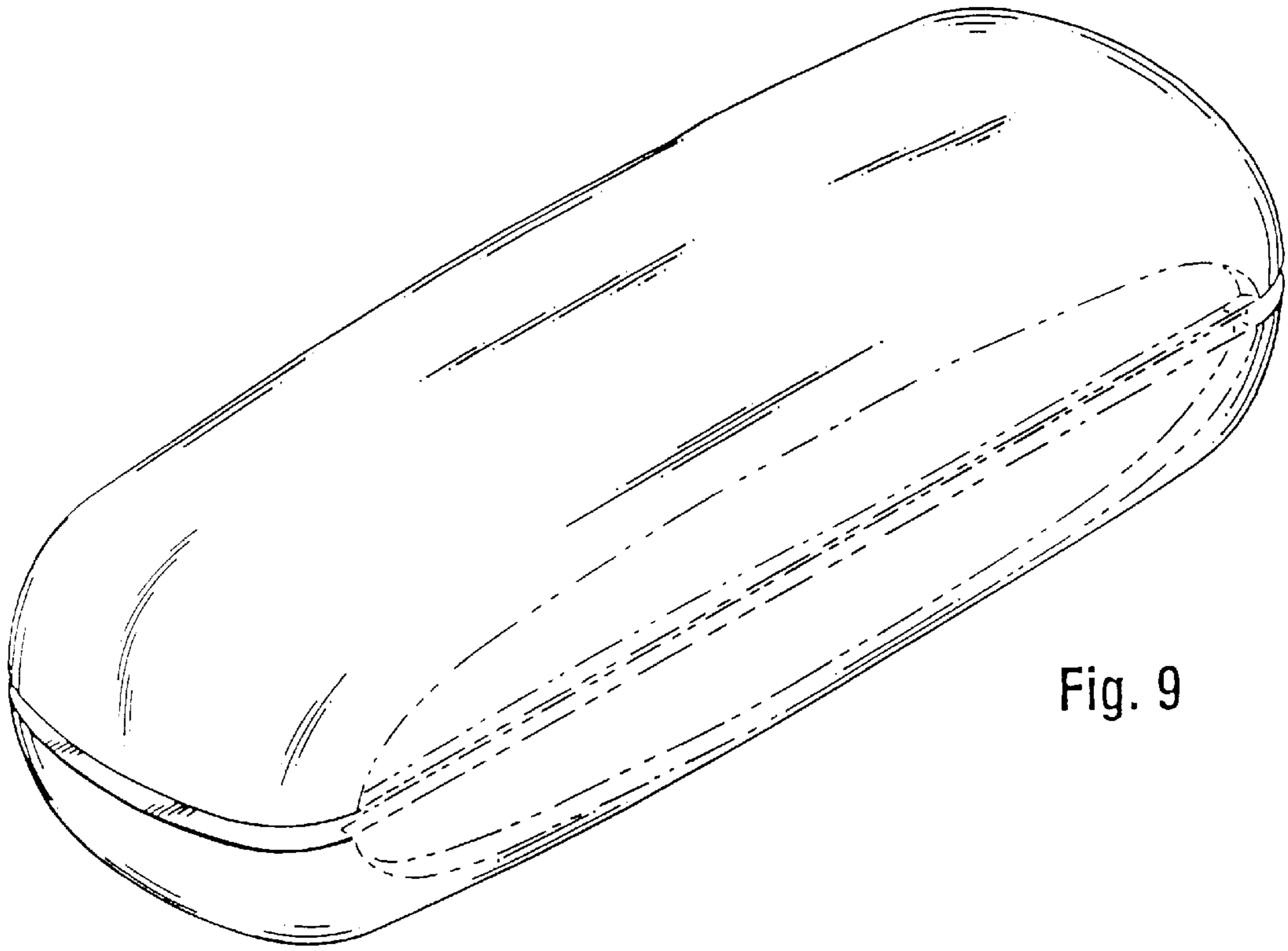


Fig. 9

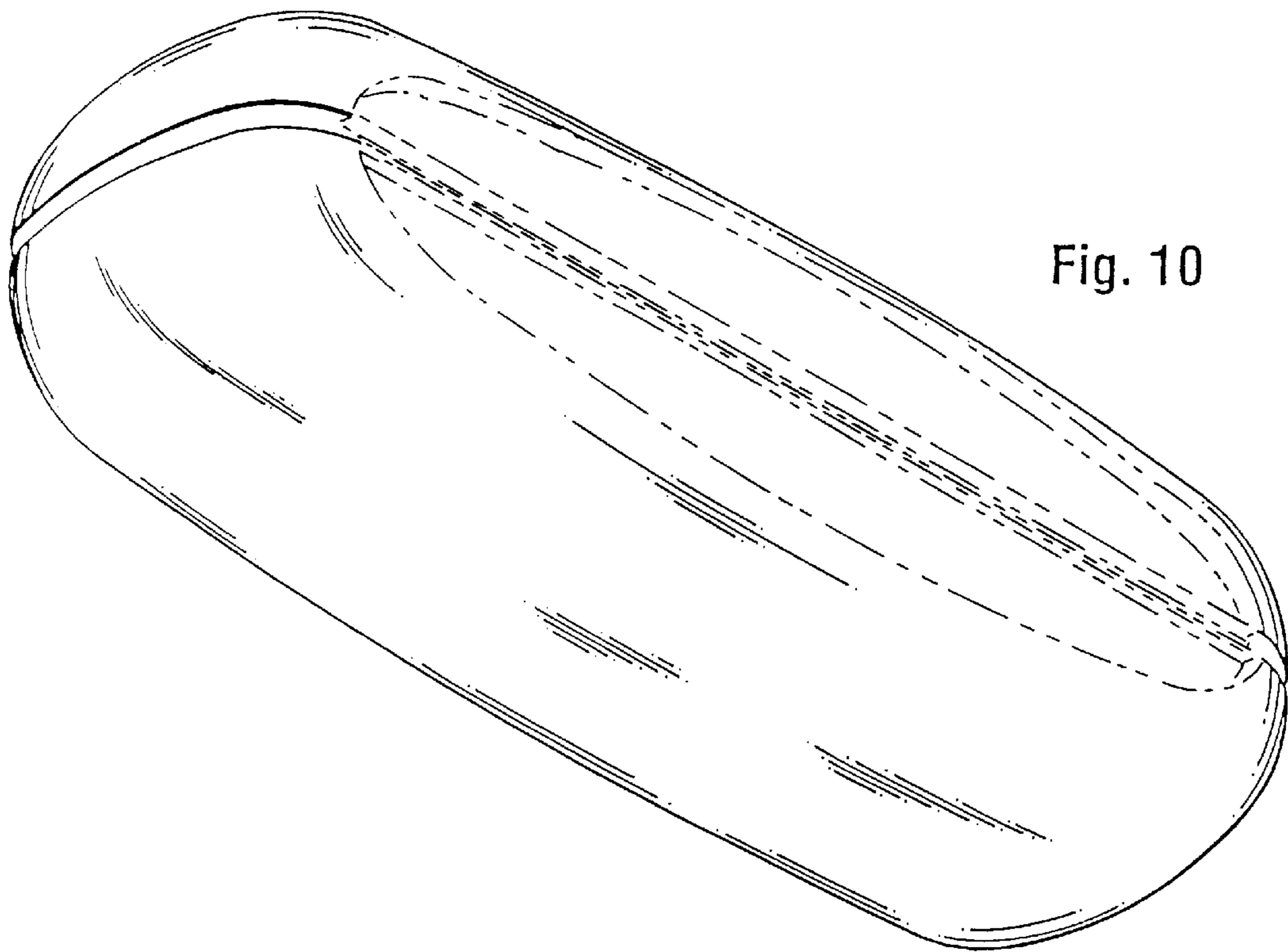


Fig. 10

Fig. 11

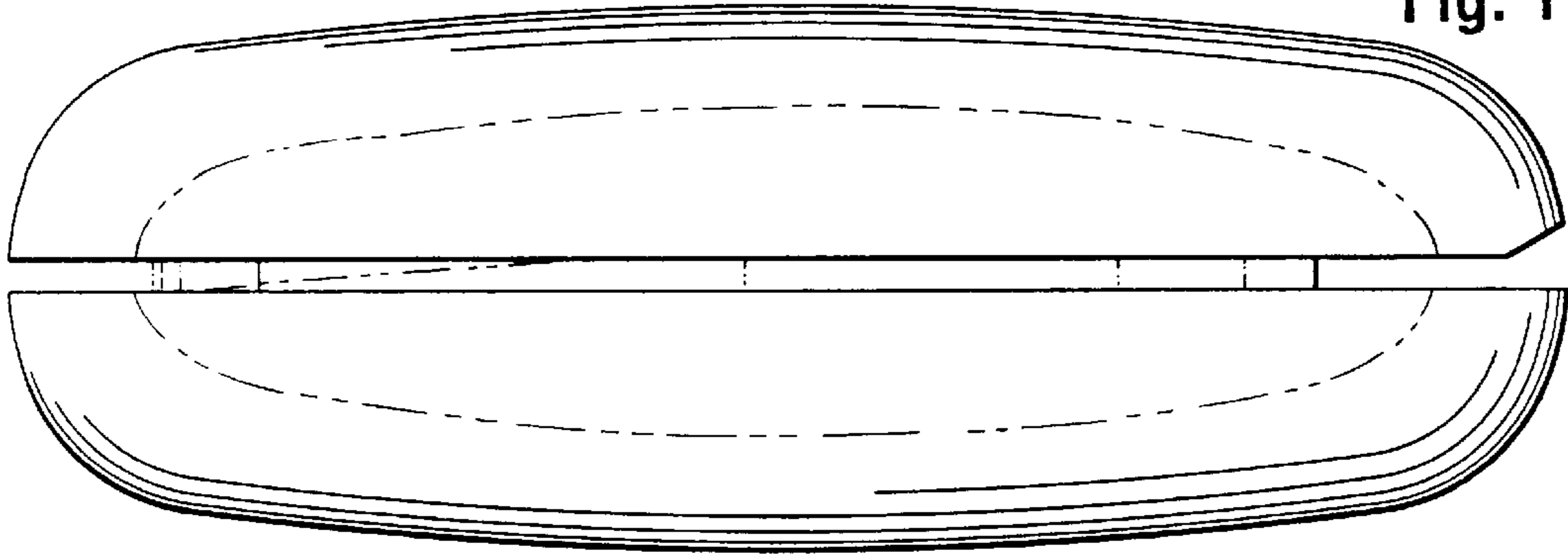


Fig. 12

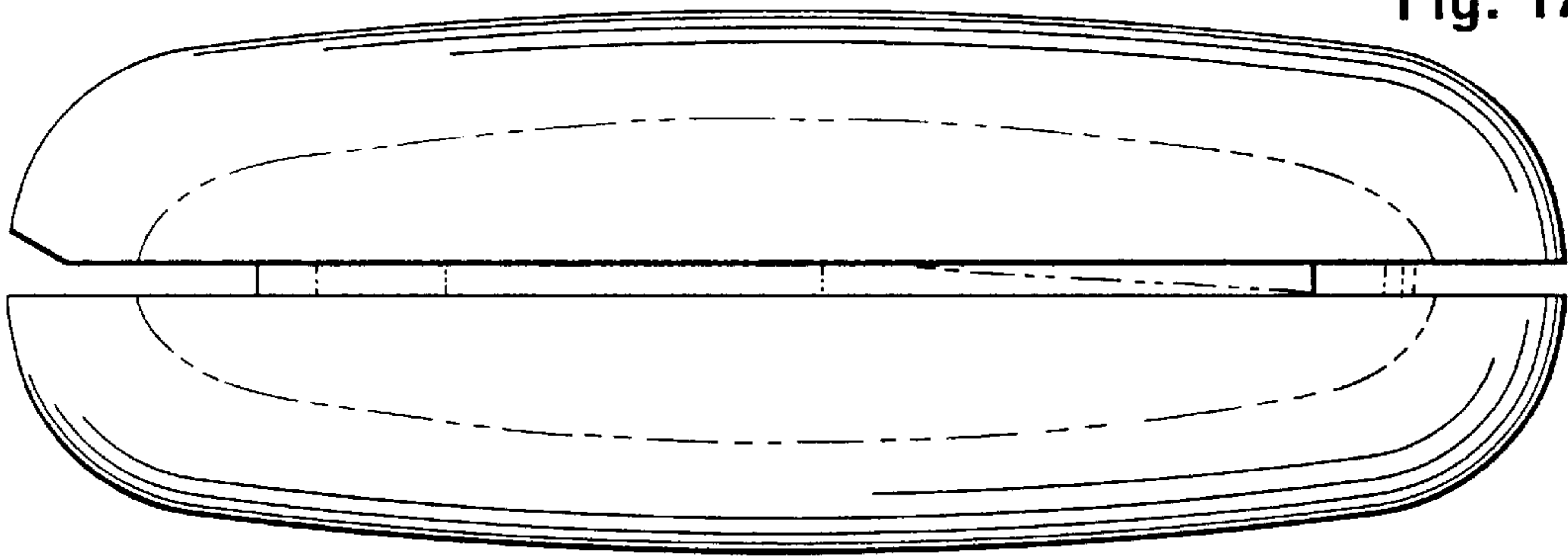


Fig. 13

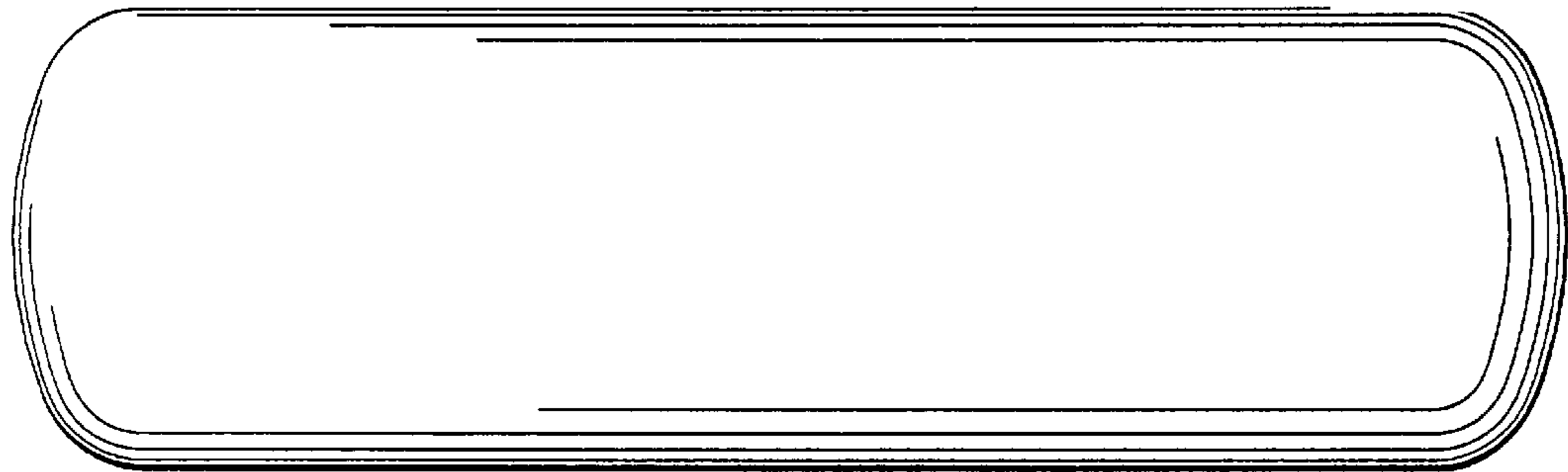


Fig. 14

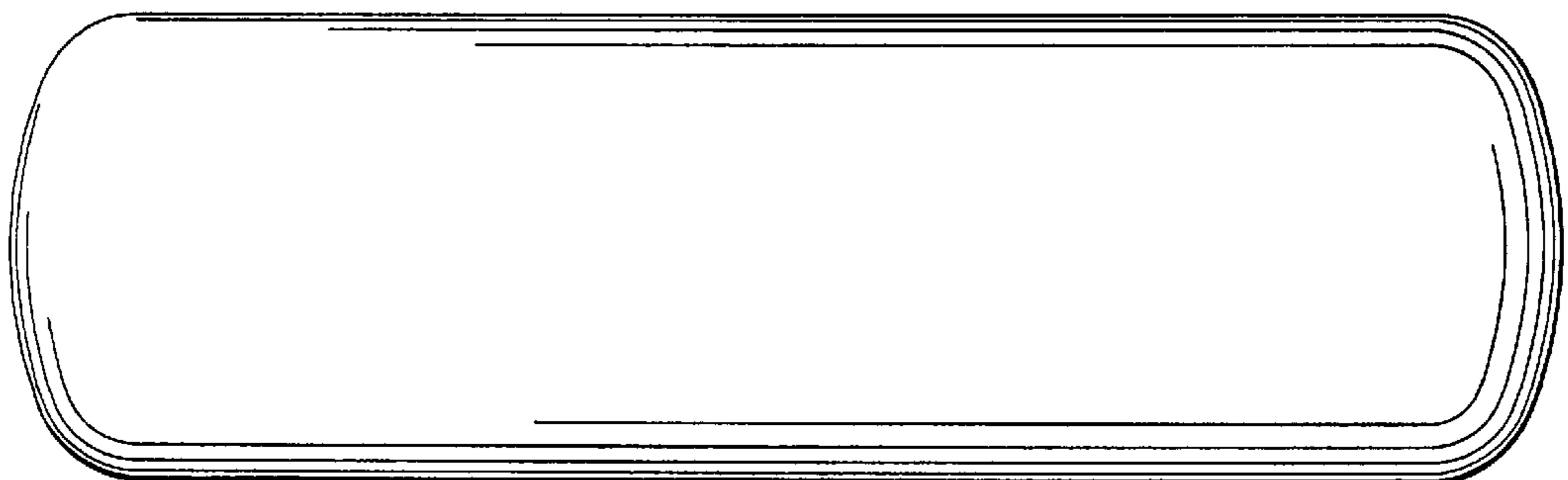


Fig. 15

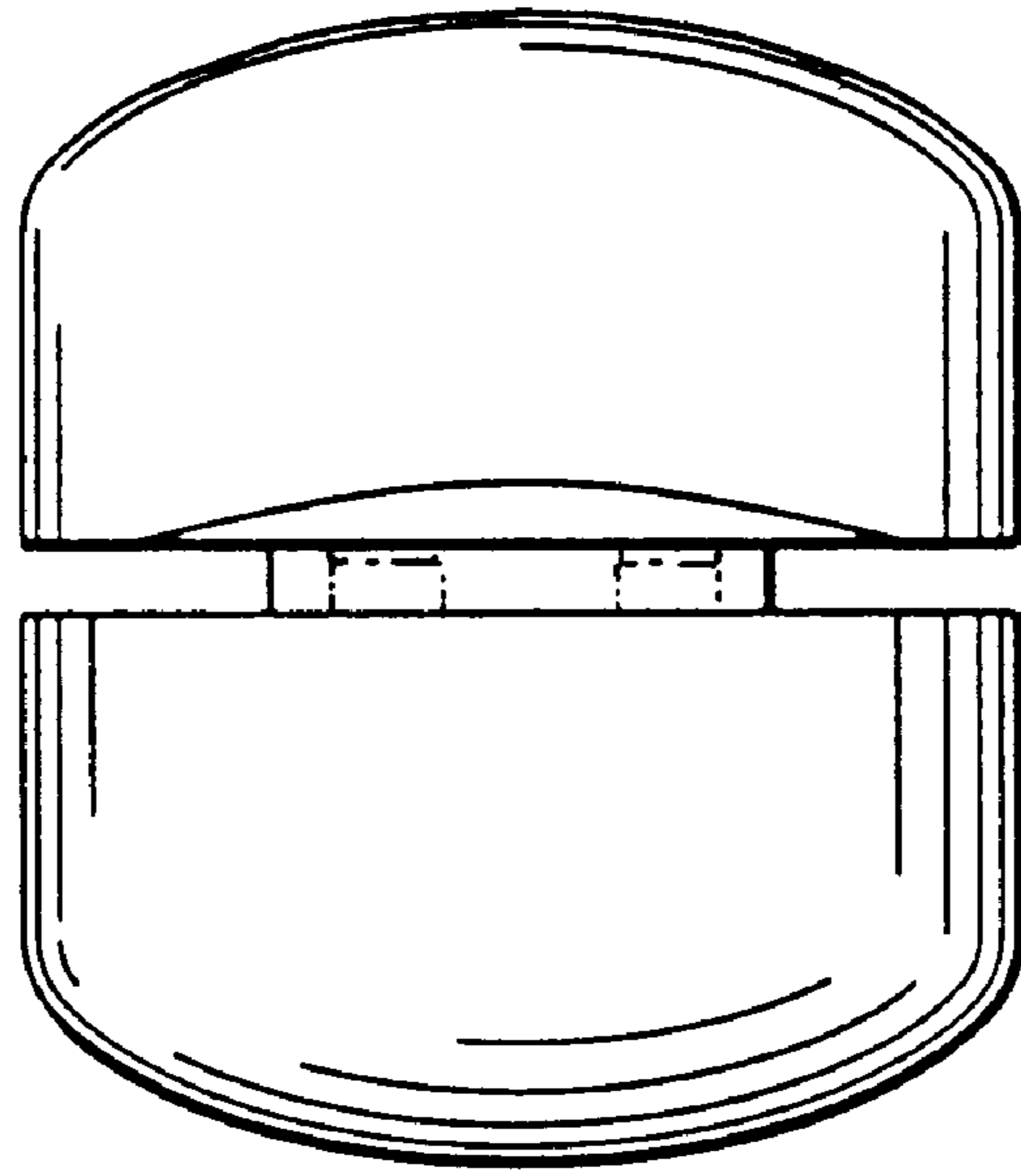
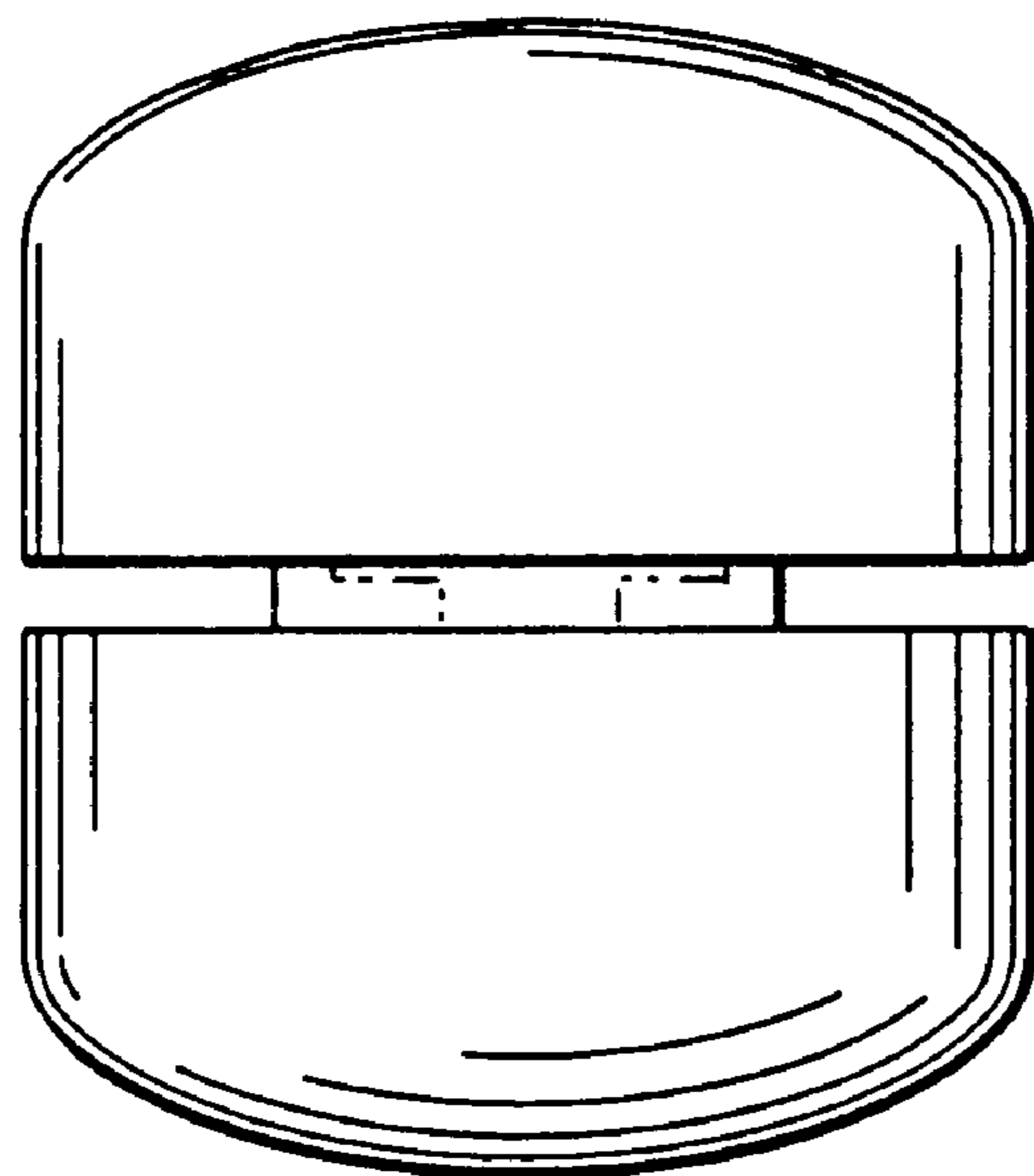


Fig. 16



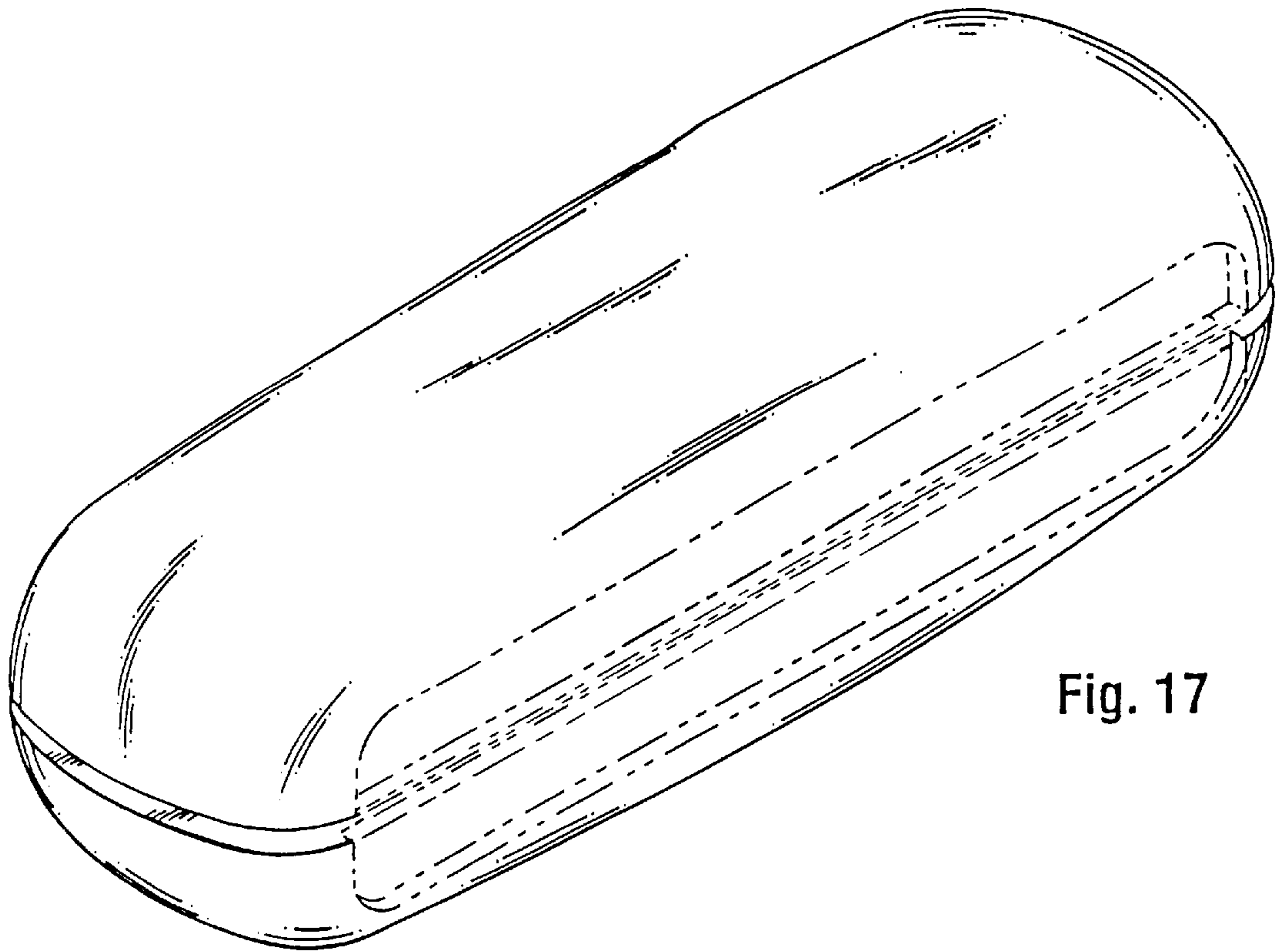


Fig. 17

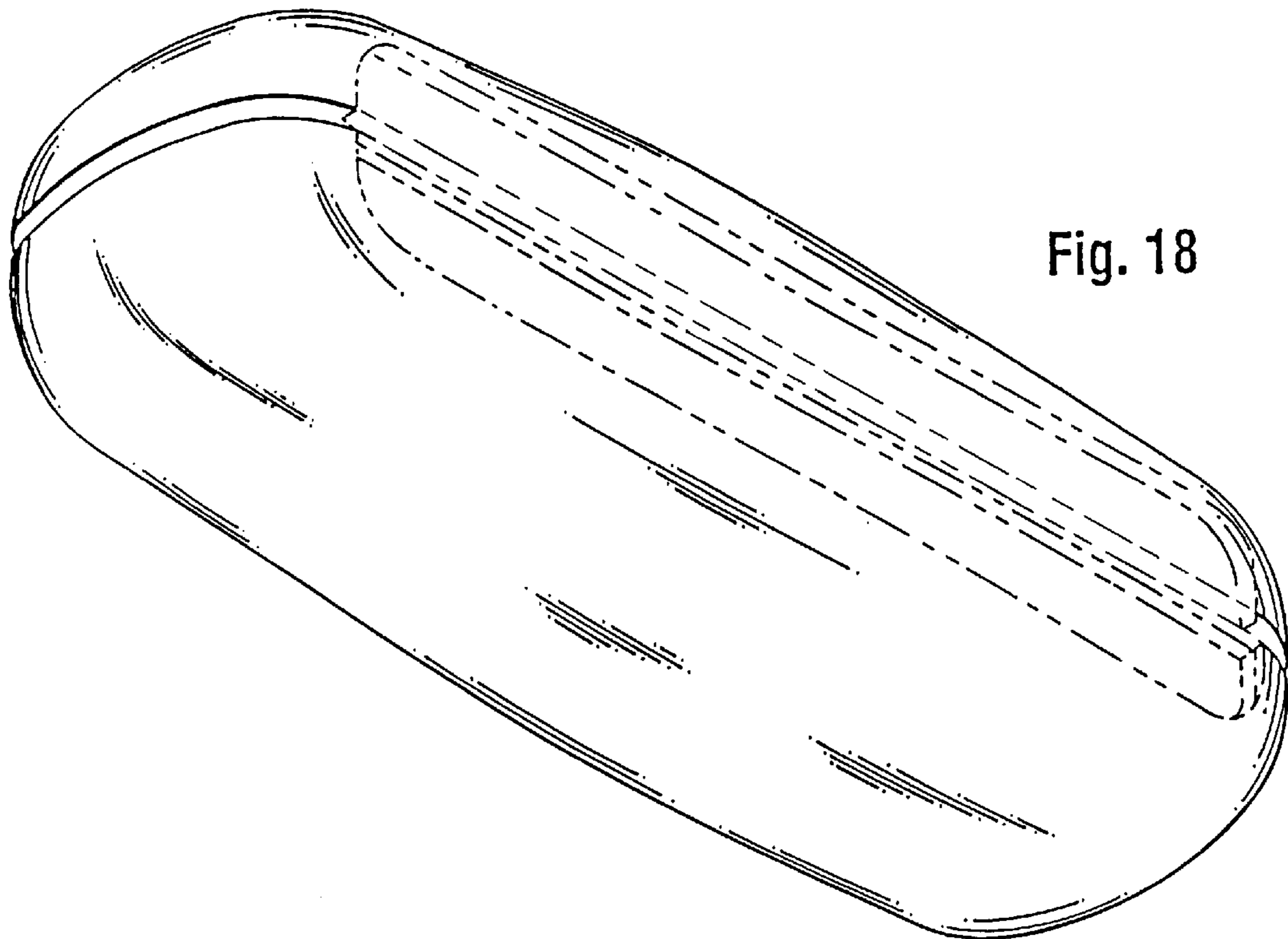


Fig. 18

Fig. 19

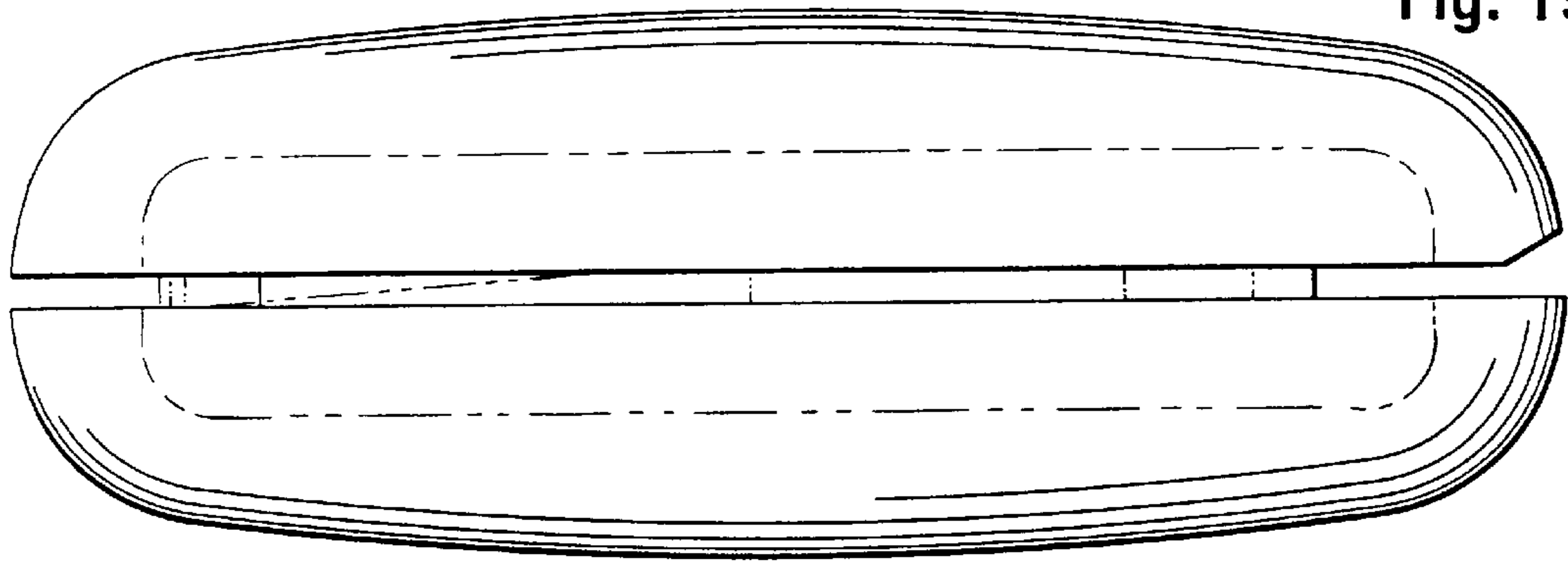


Fig. 20

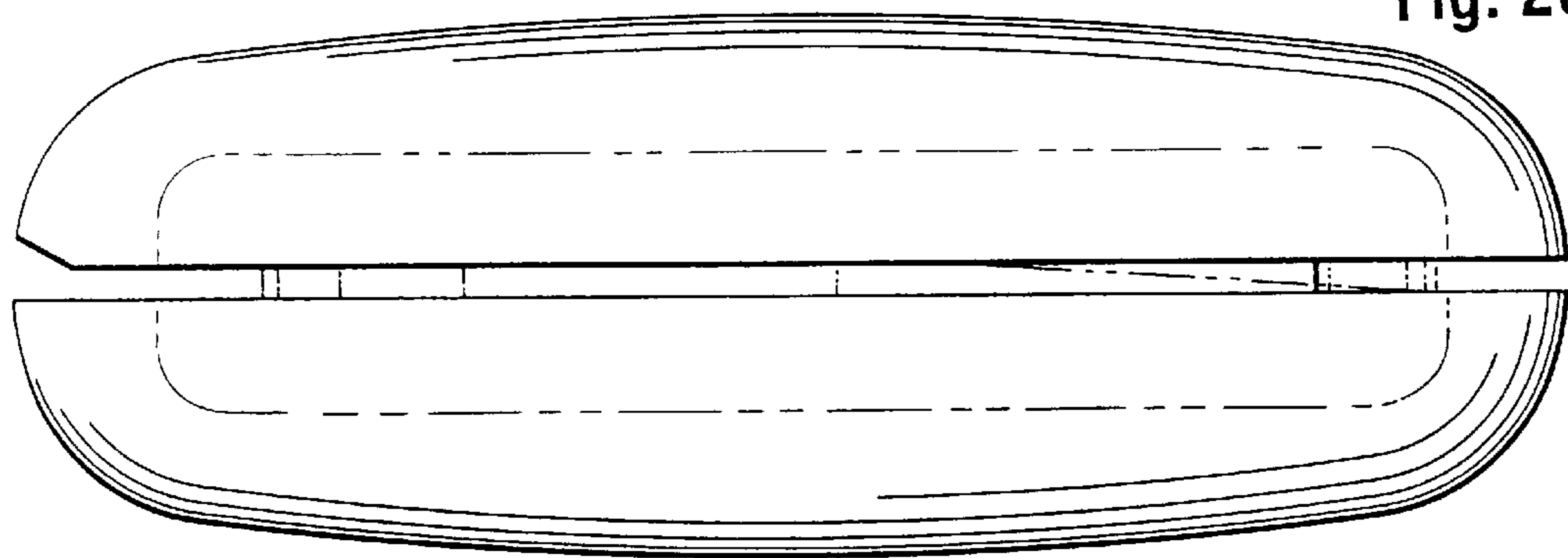


Fig. 21

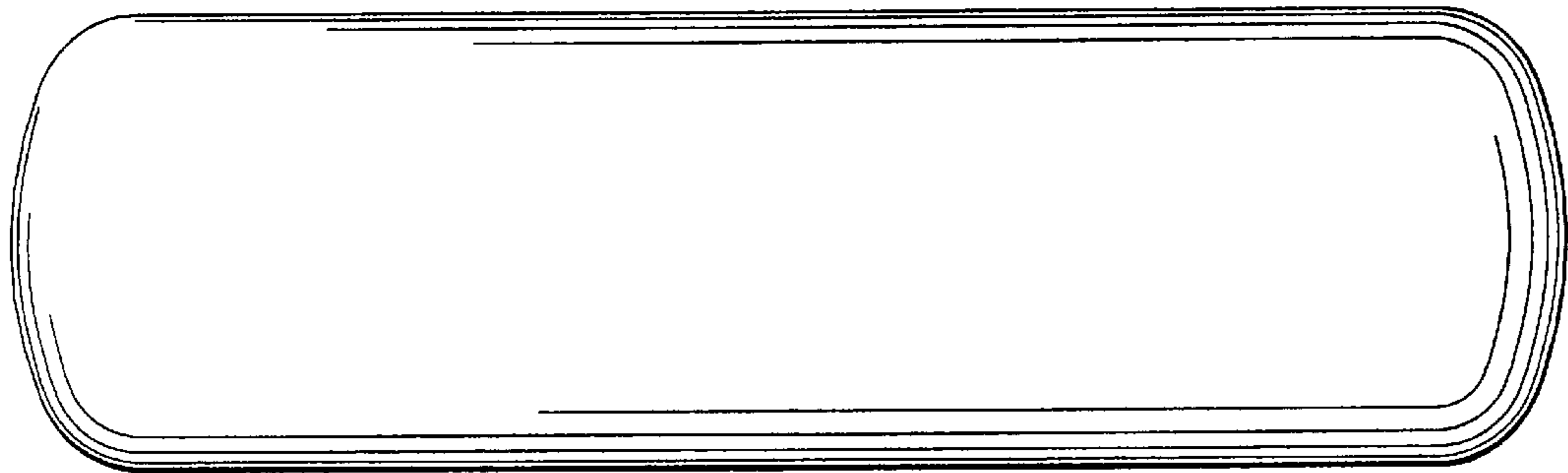


Fig. 22

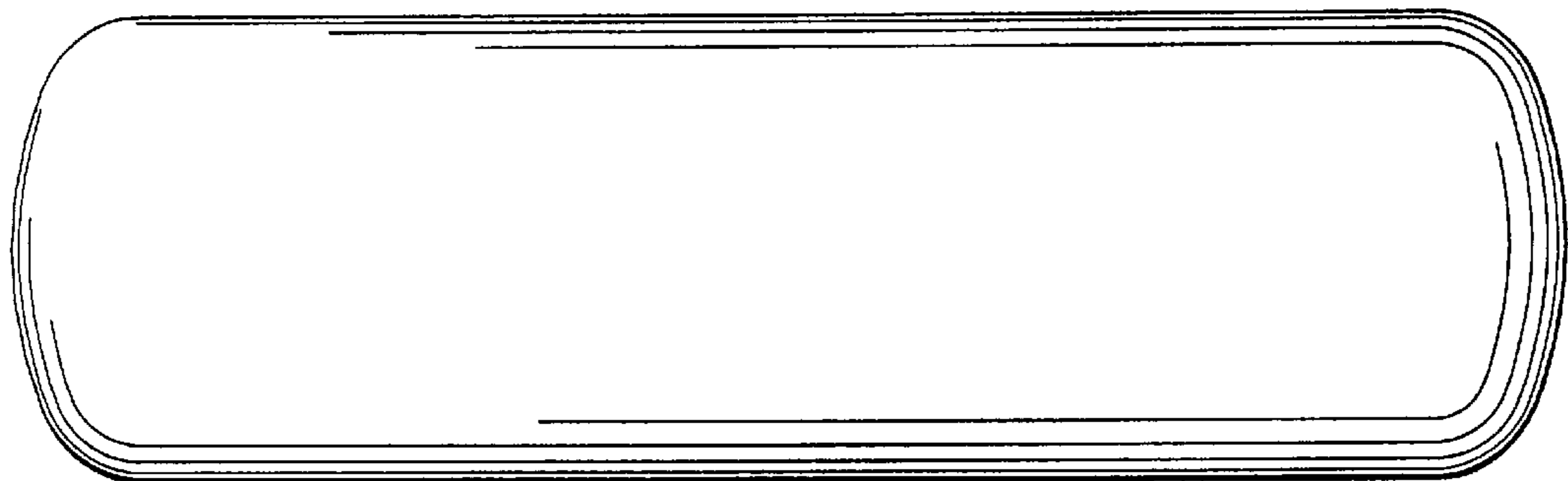


Fig. 23

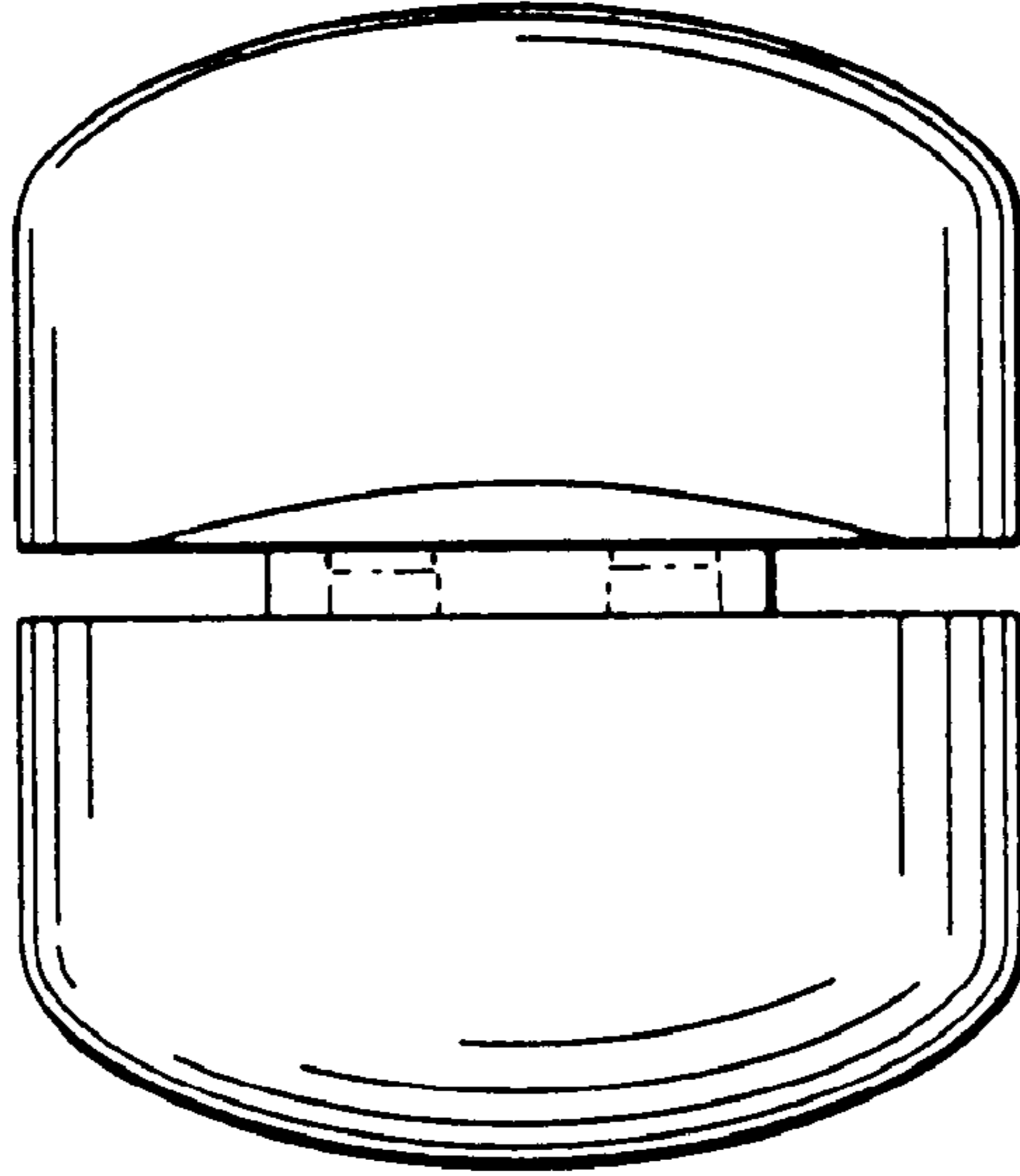
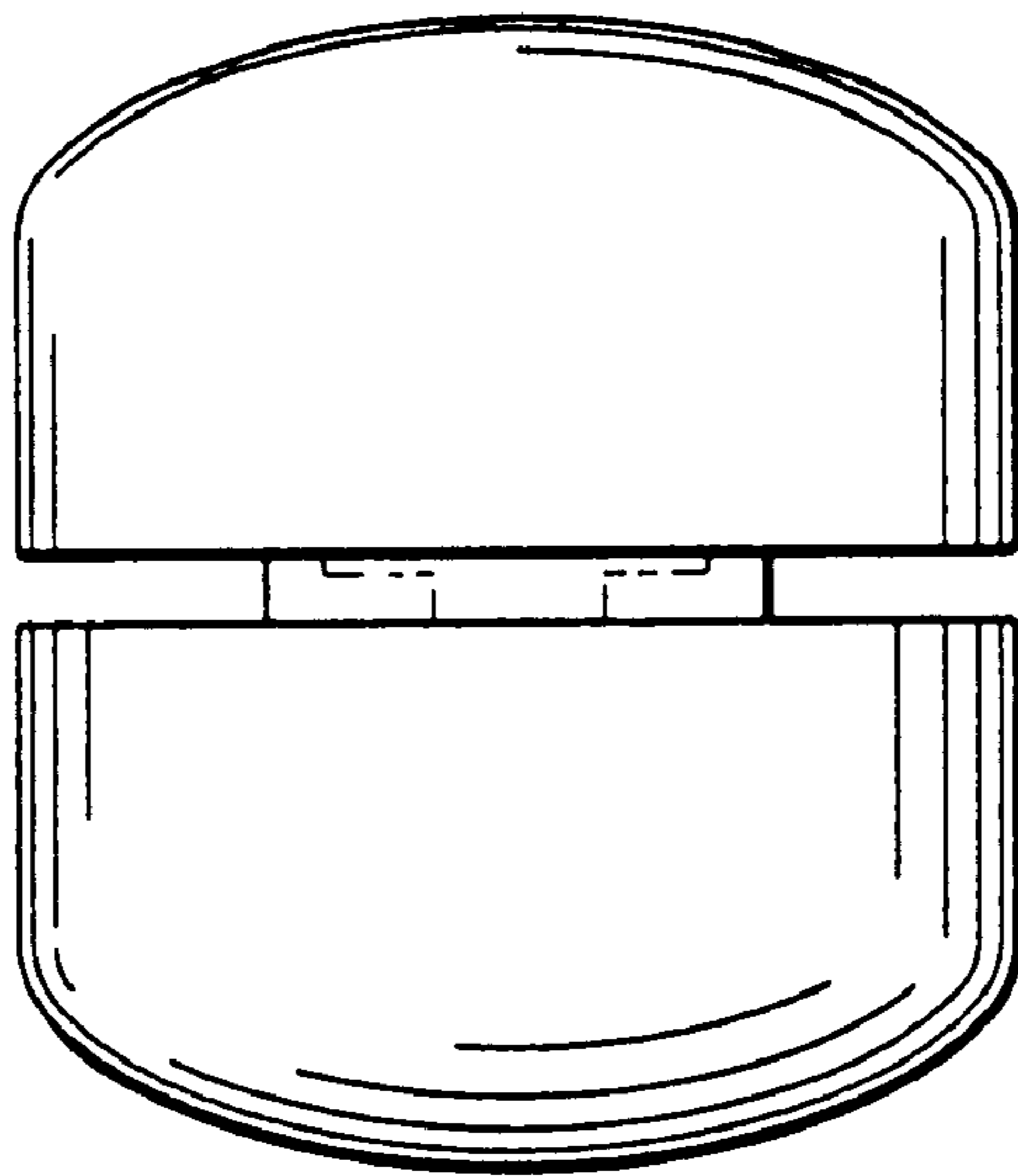


Fig. 24



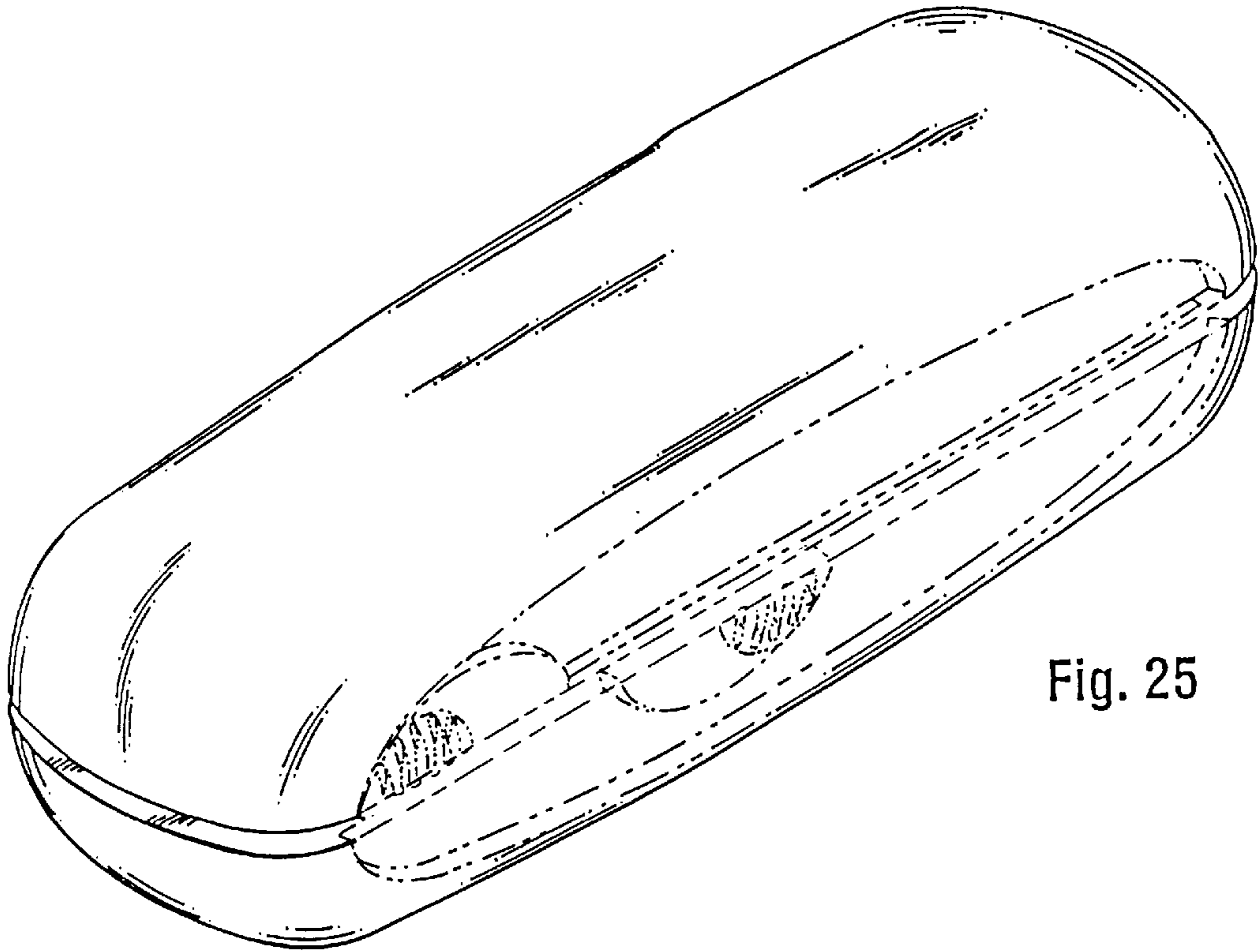


Fig. 25

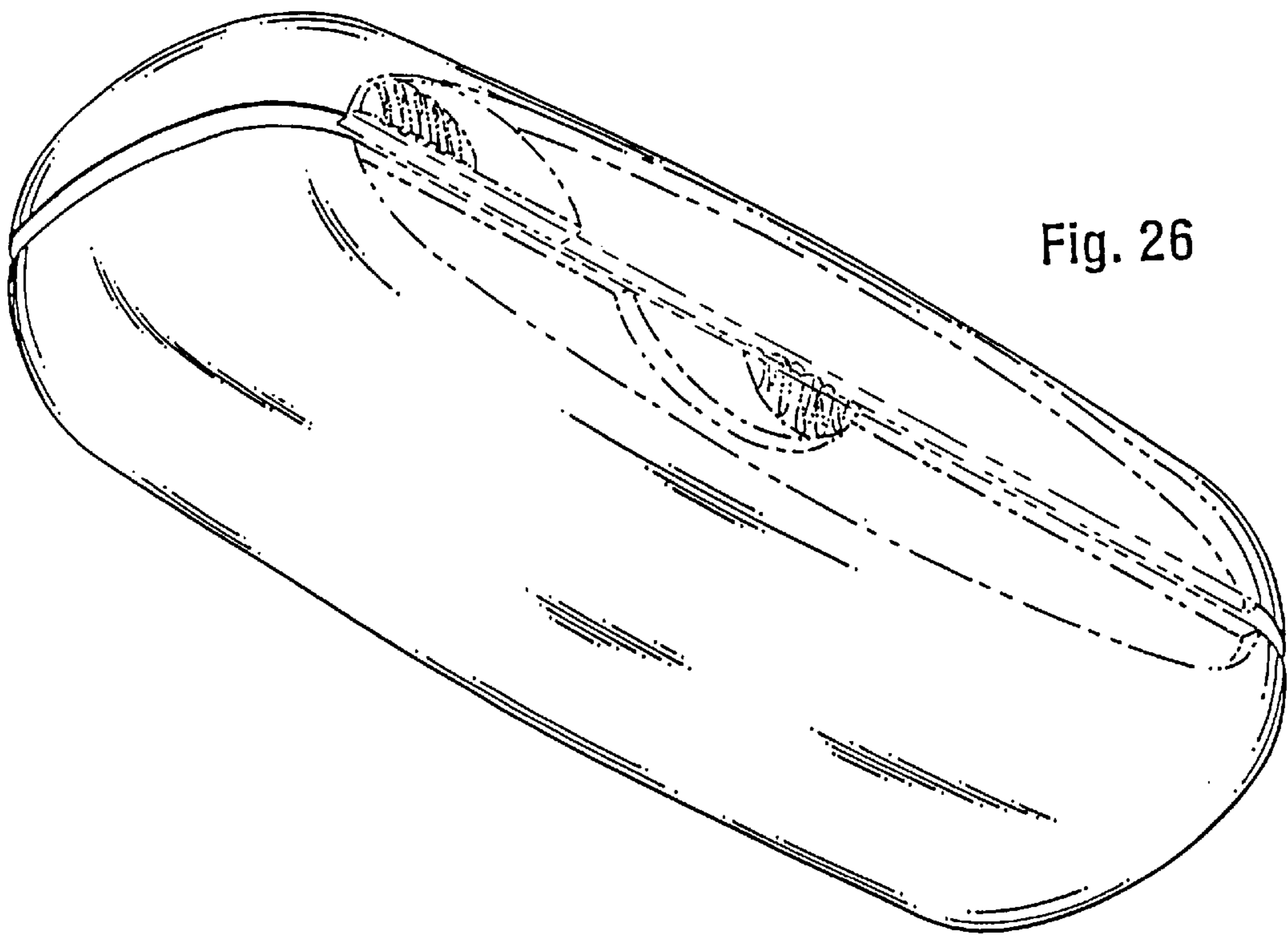


Fig. 26

Fig. 27

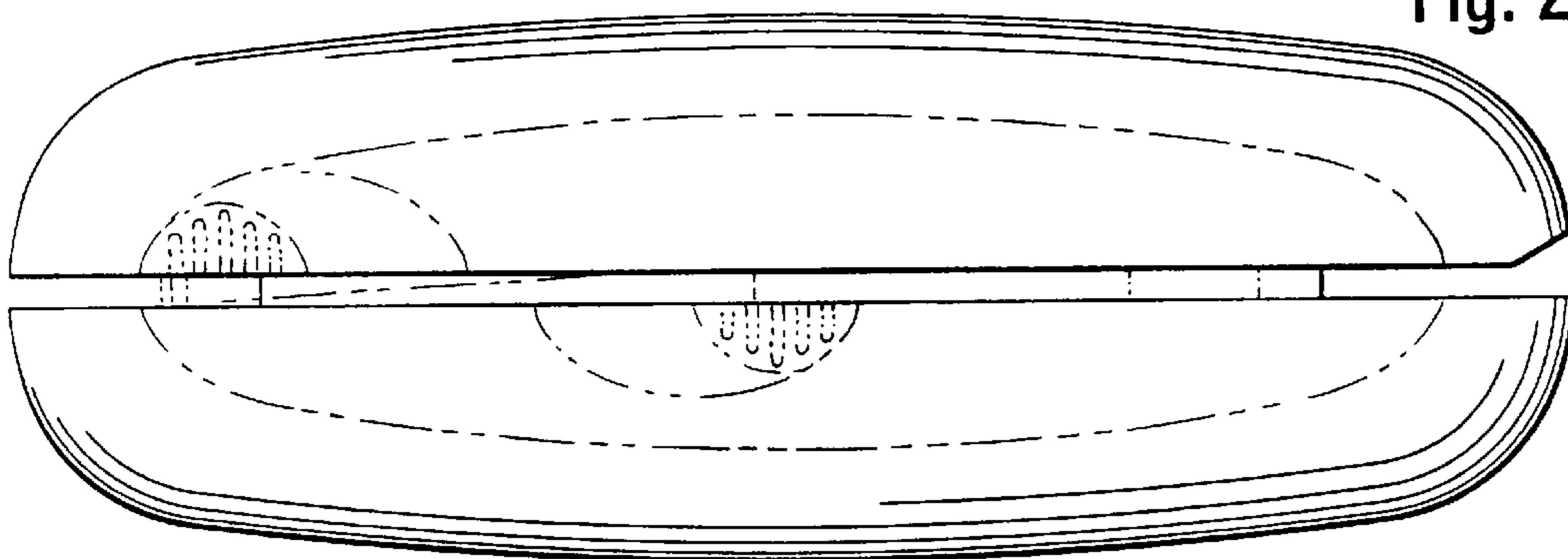


Fig. 28

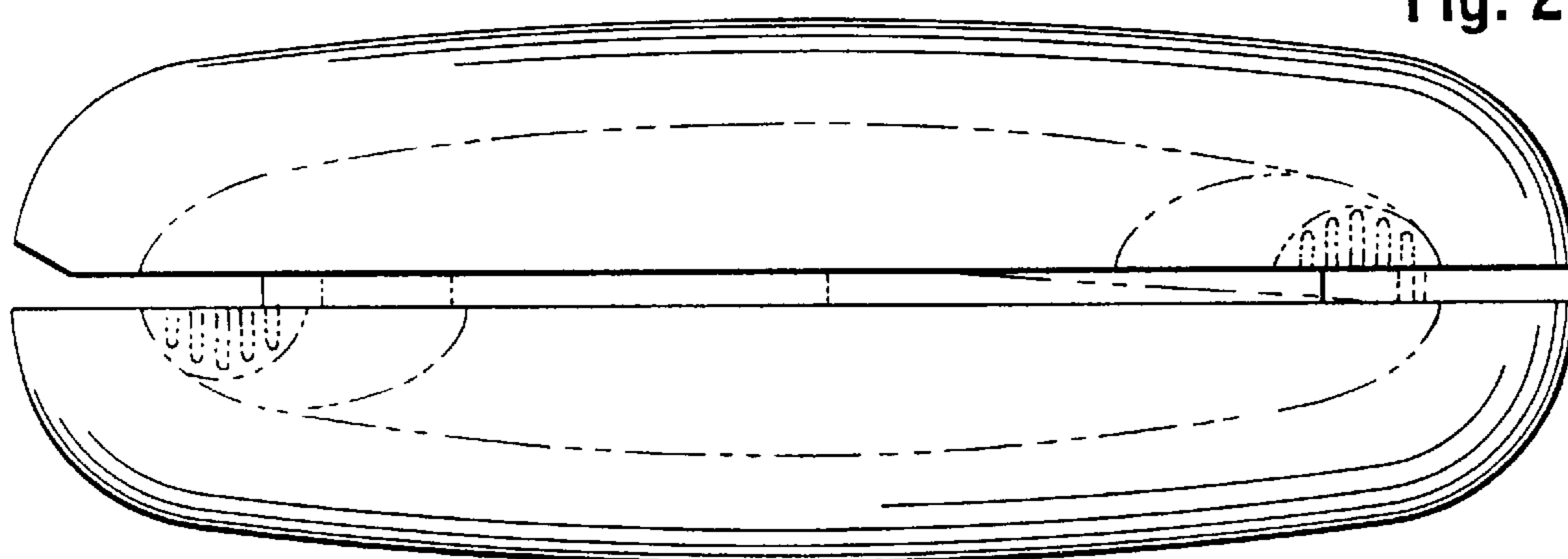


Fig. 29

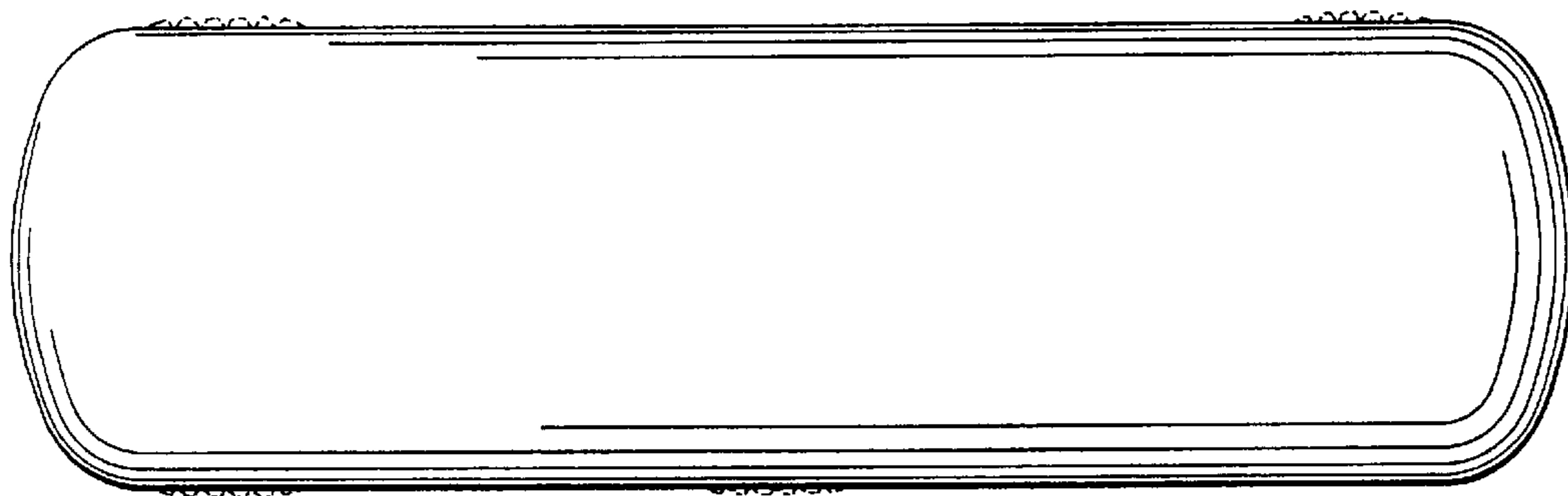


Fig. 30

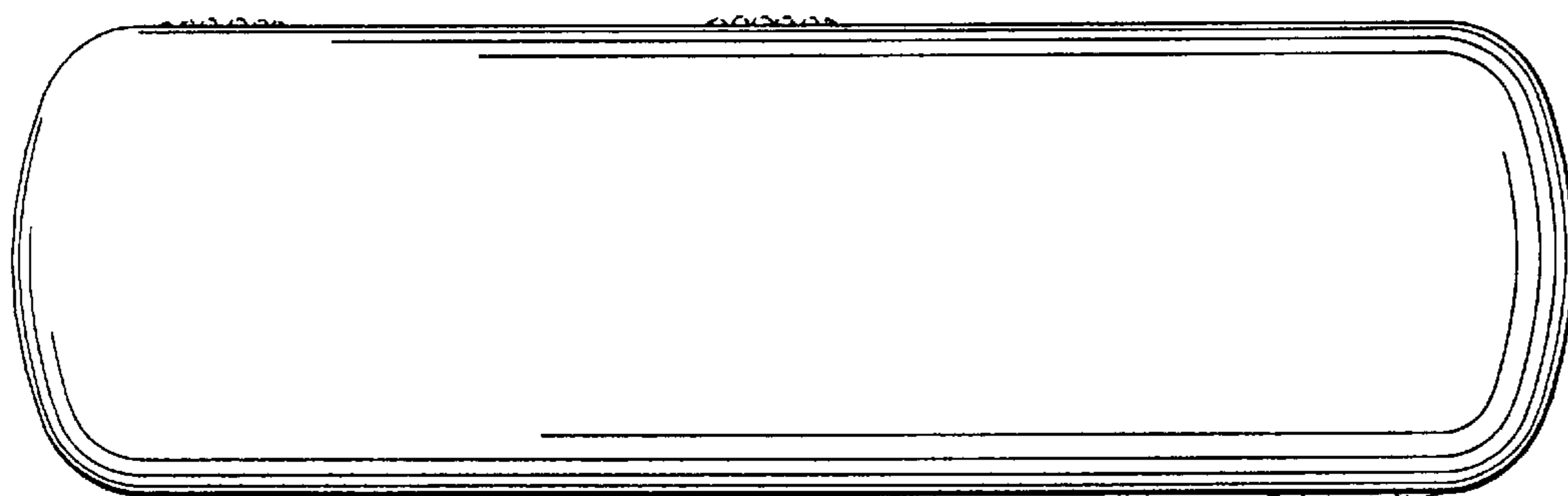


Fig. 31

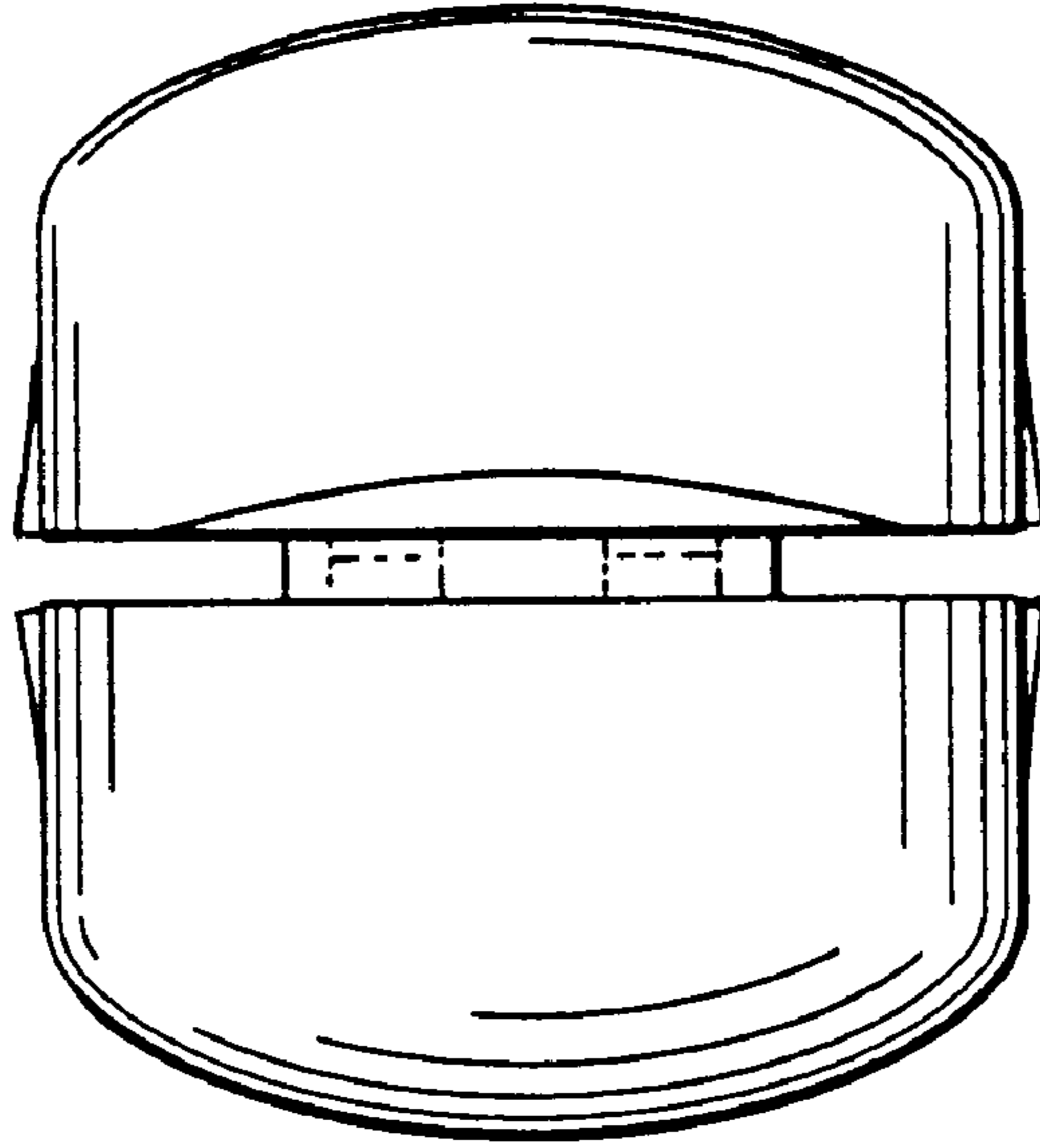
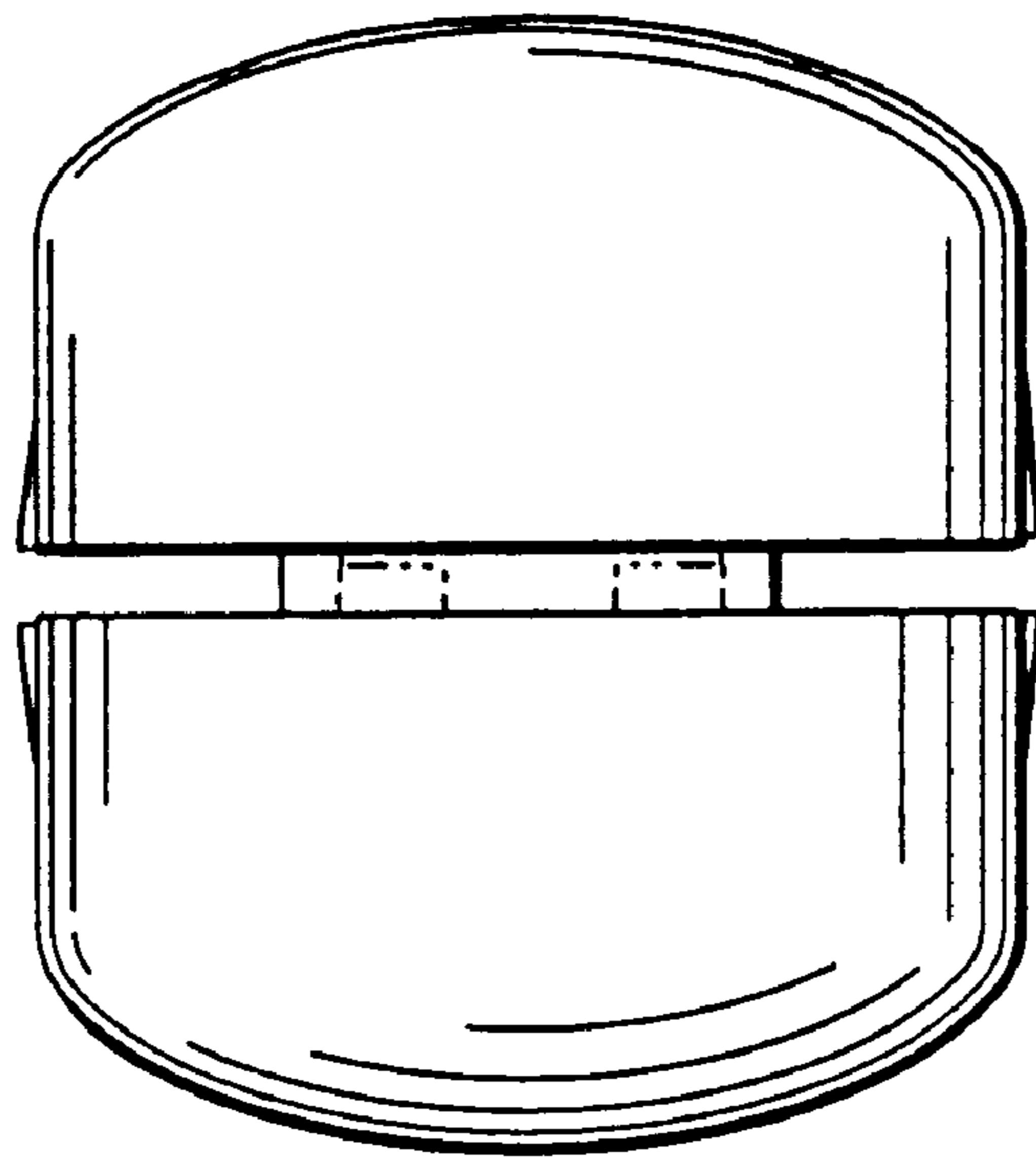


Fig. 32



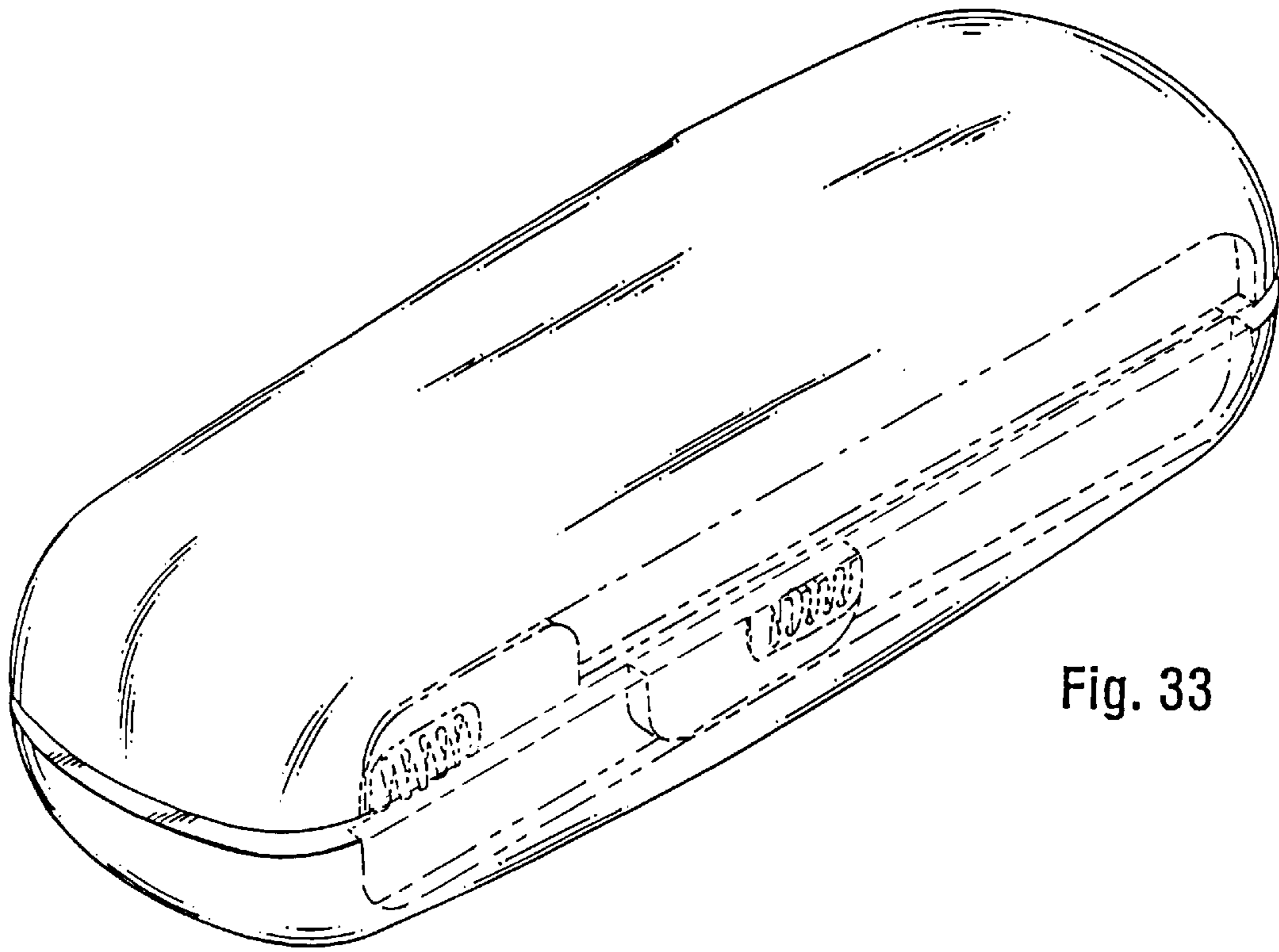


Fig. 33

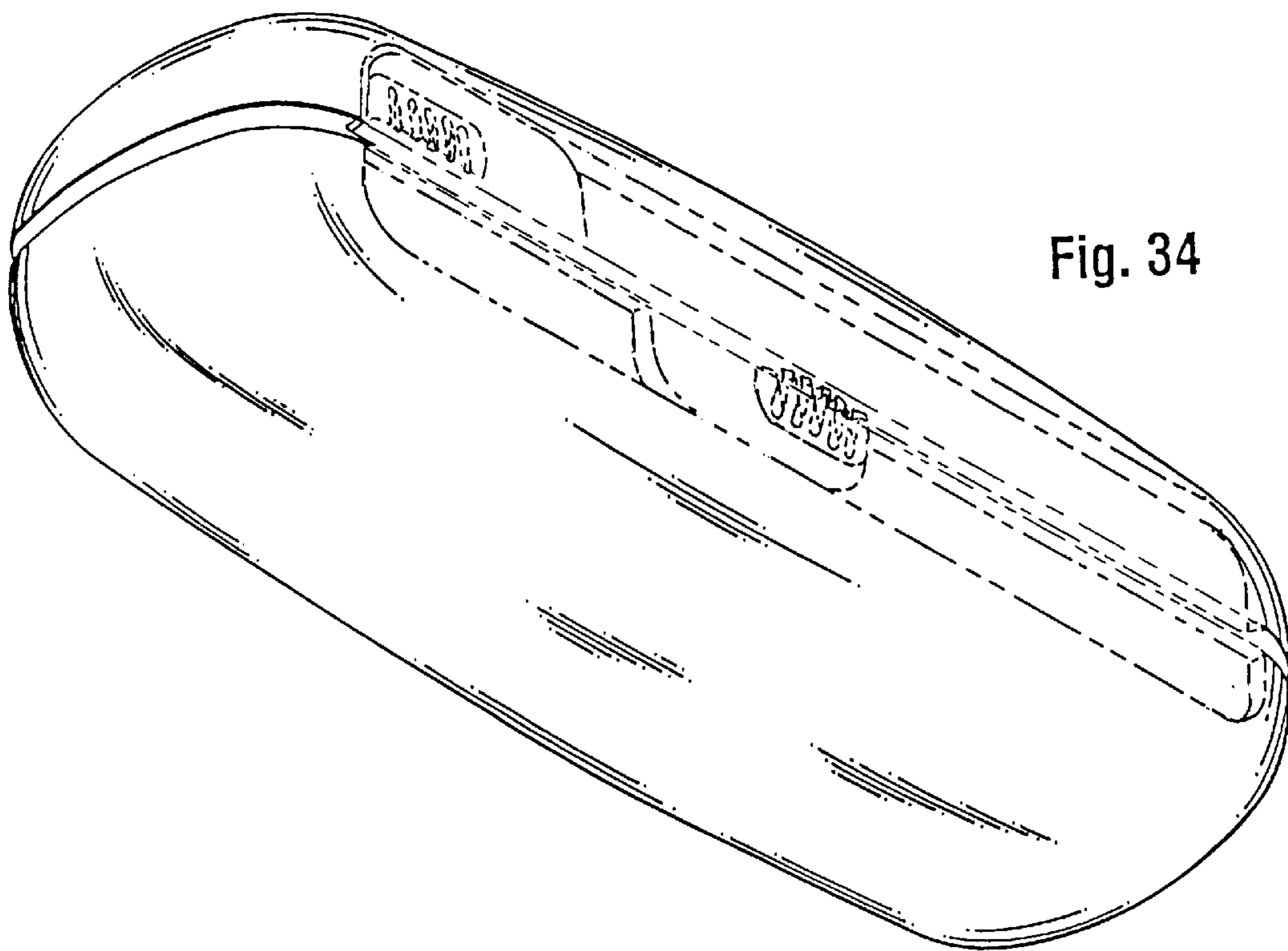


Fig. 34

Fig. 35

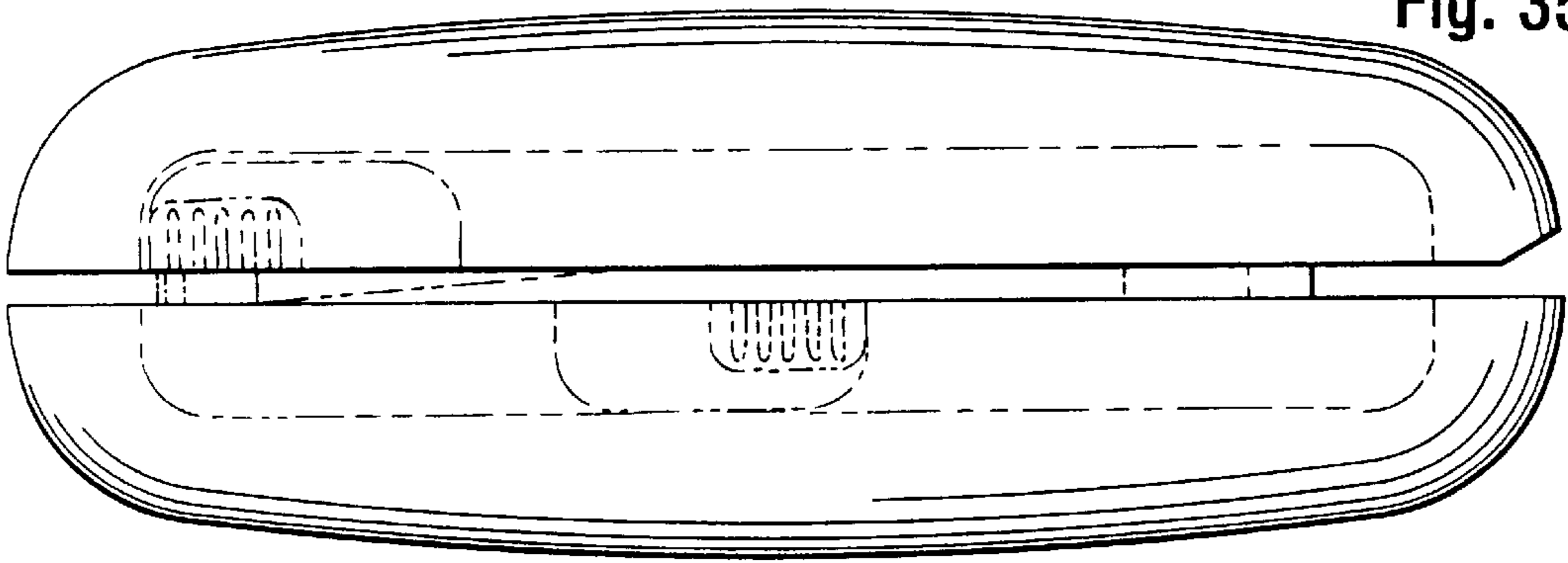


Fig. 36

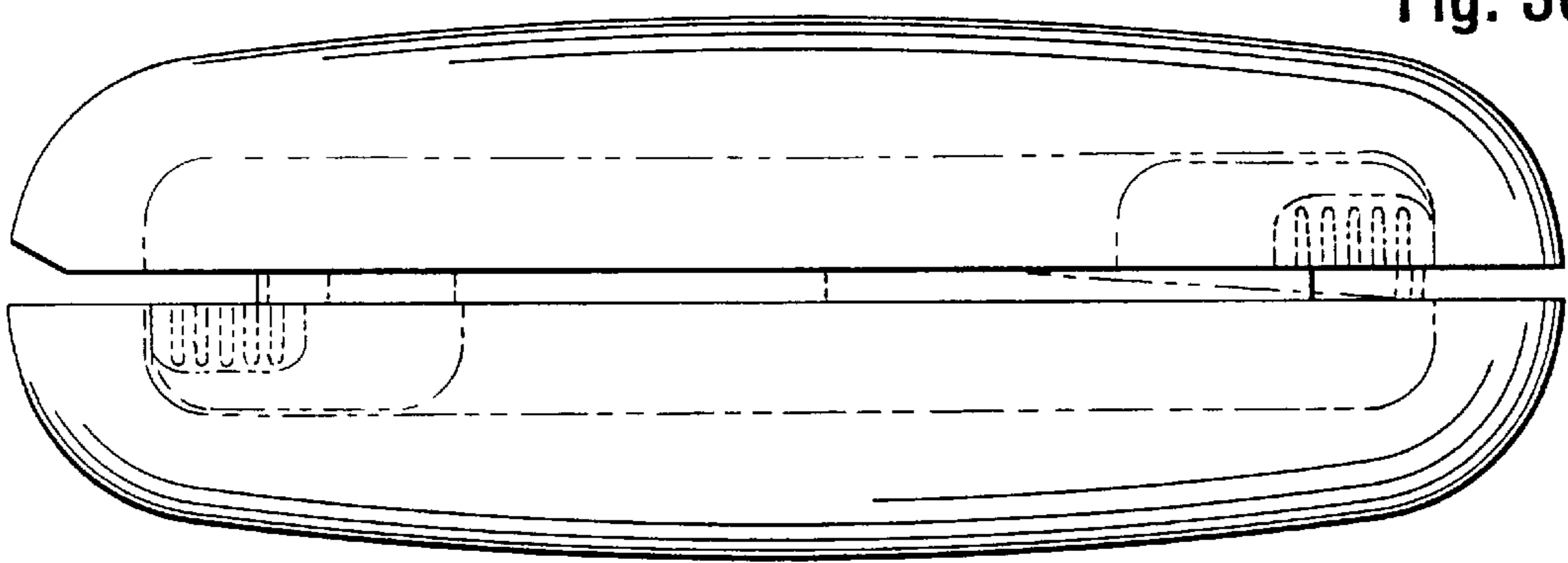


Fig. 37

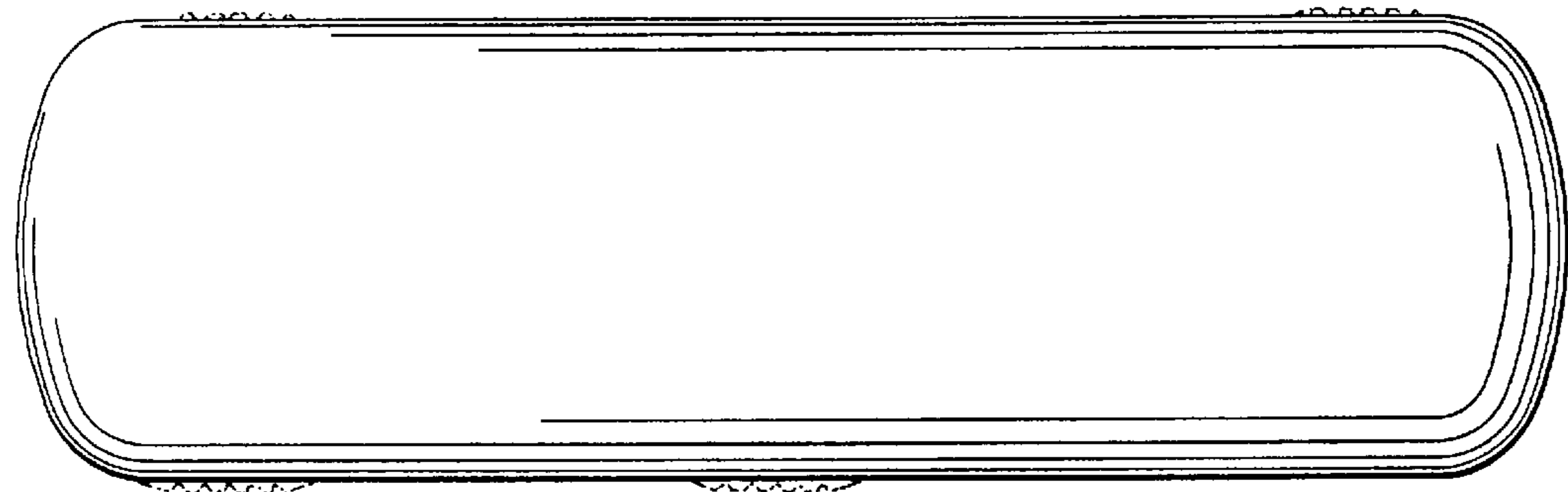


Fig. 38

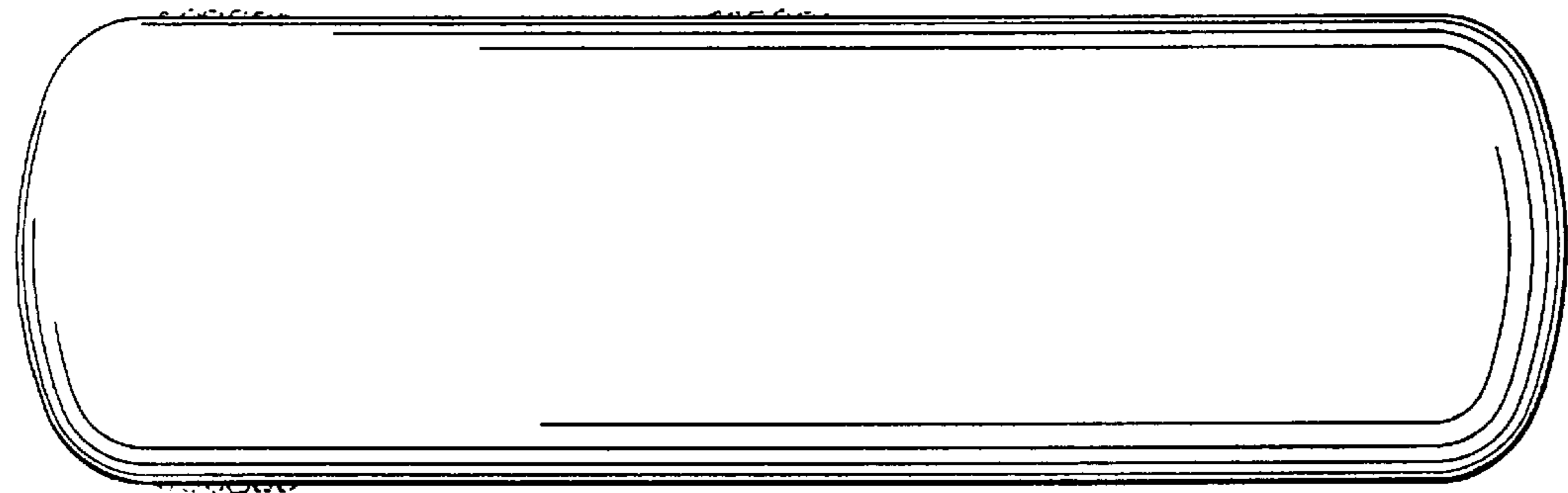


Fig. 39

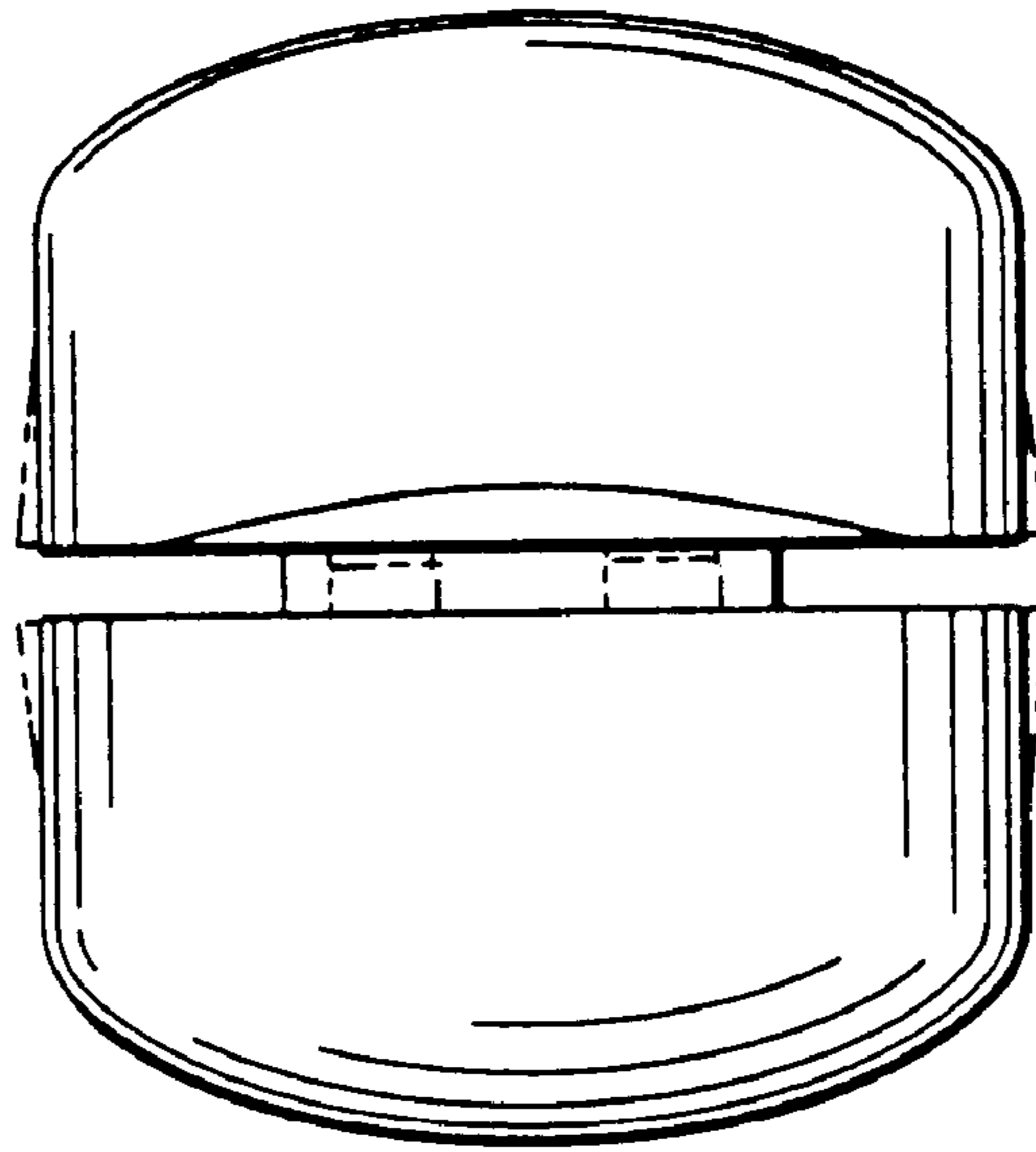
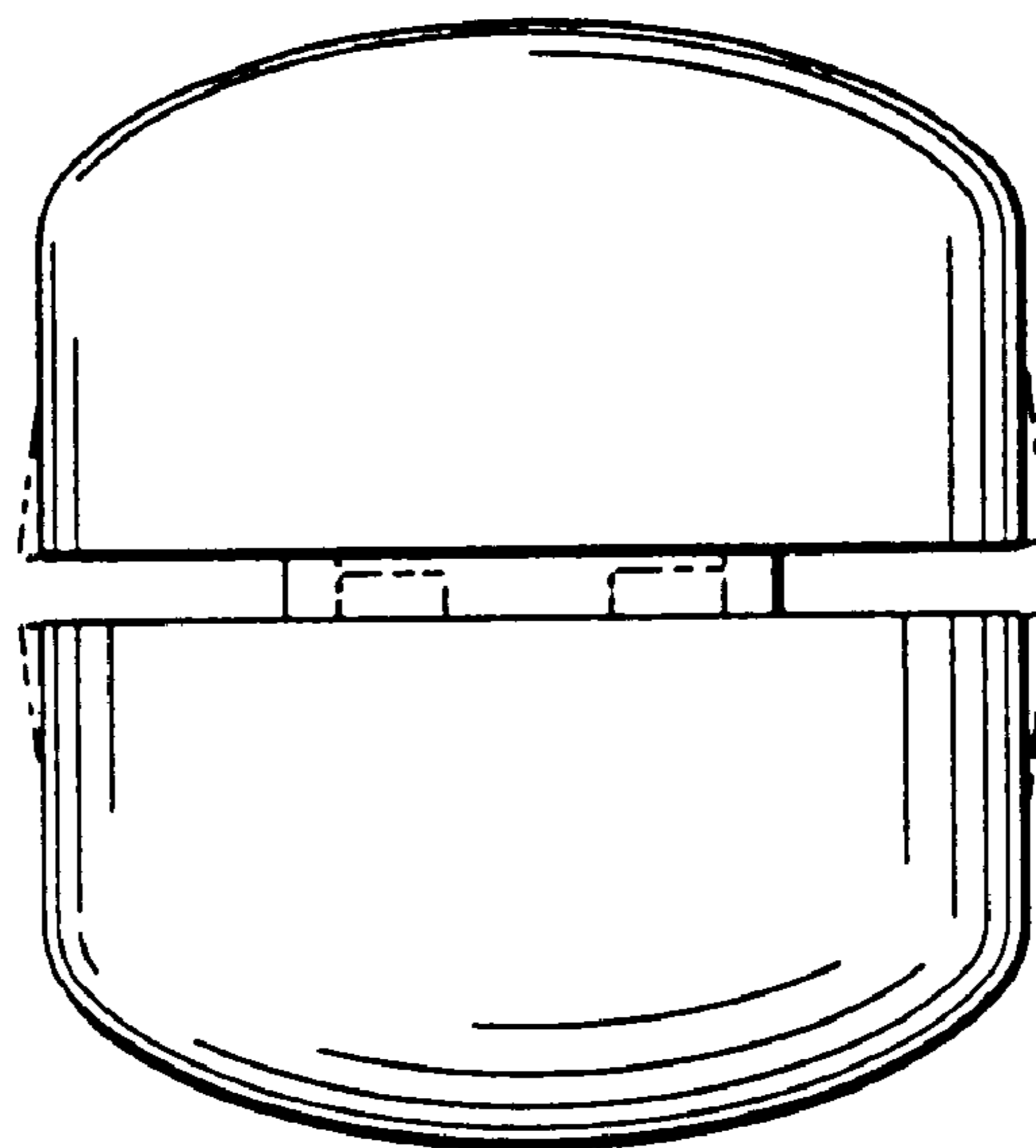


Fig. 40



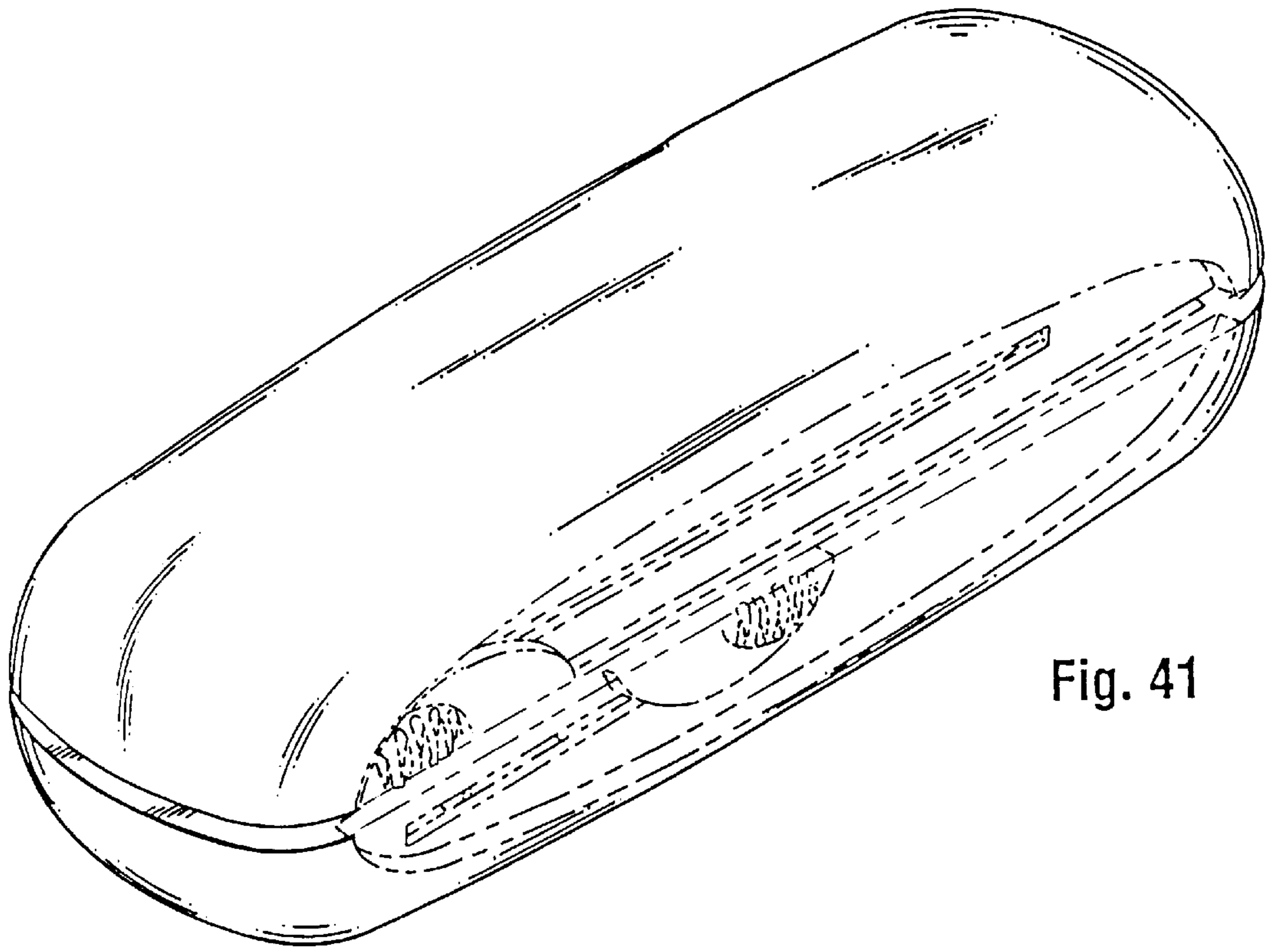


Fig. 41

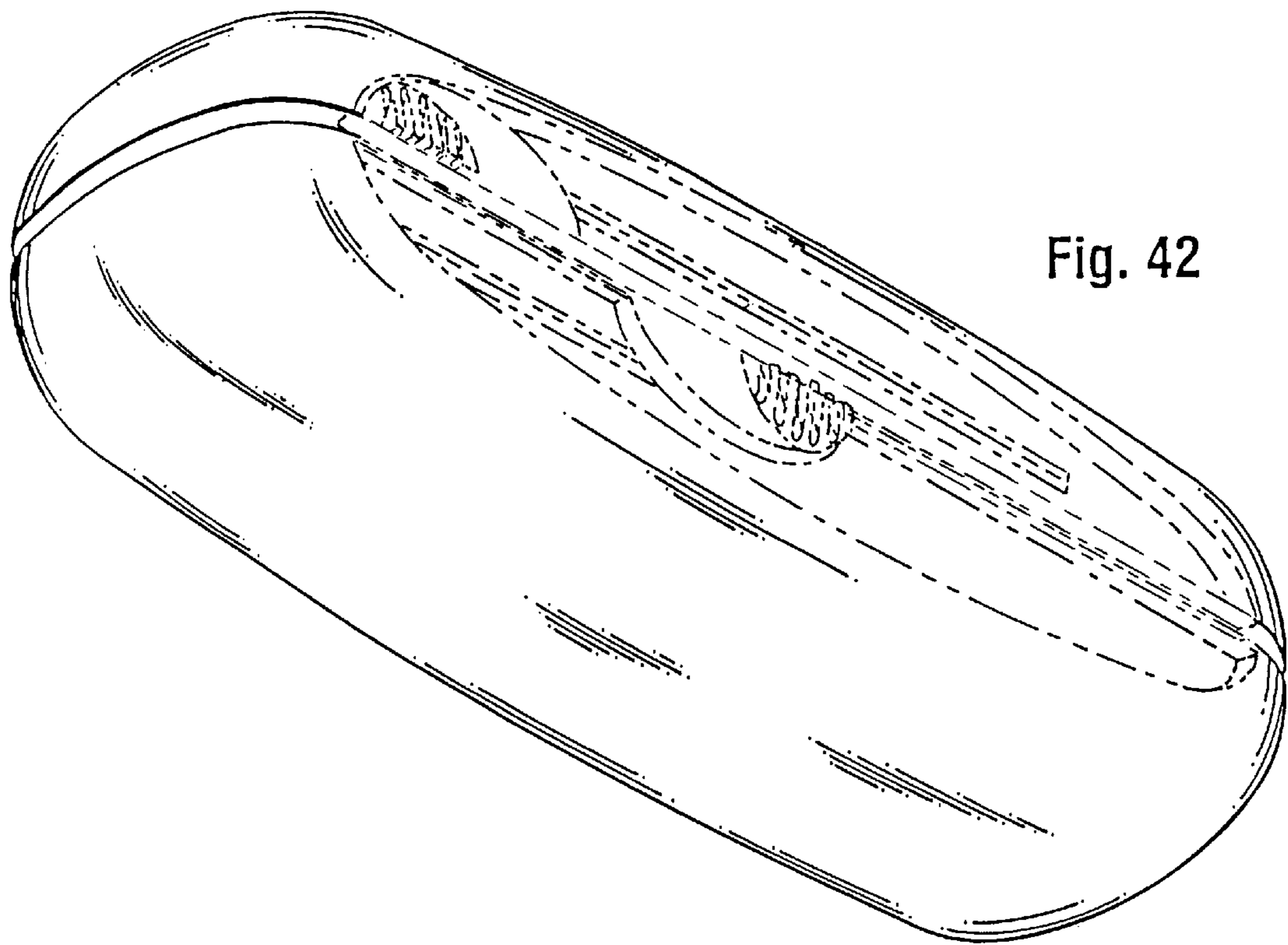


Fig. 42

Fig. 43

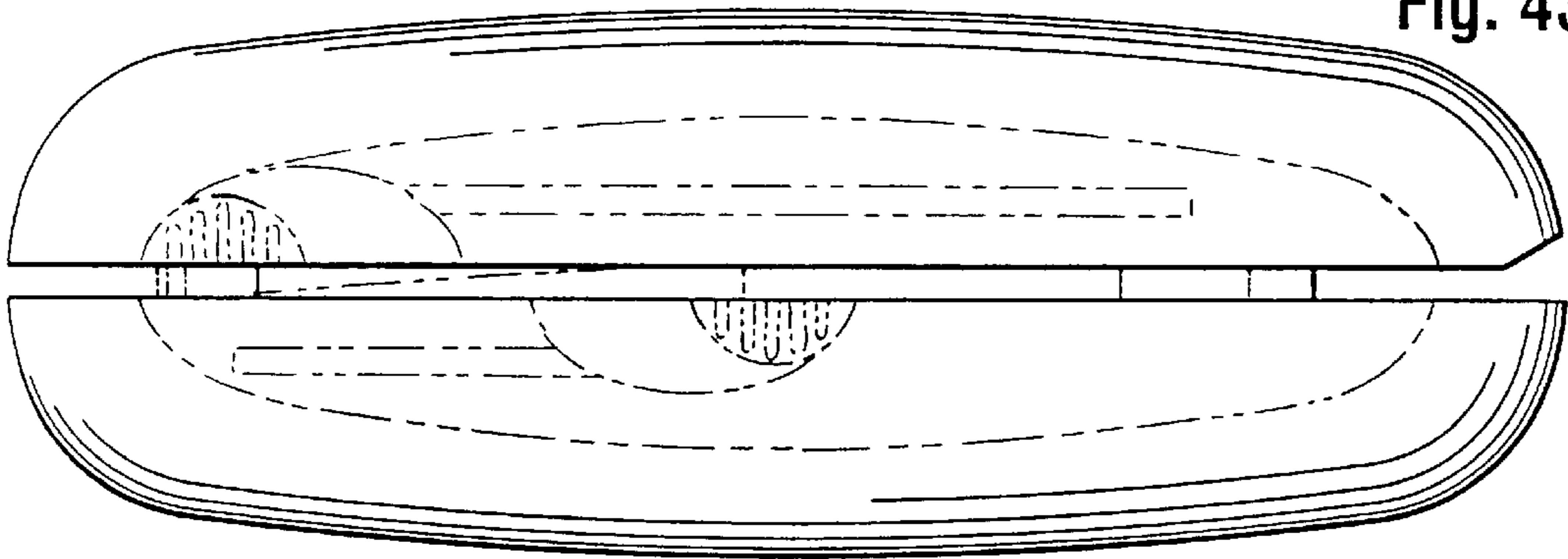


Fig. 44

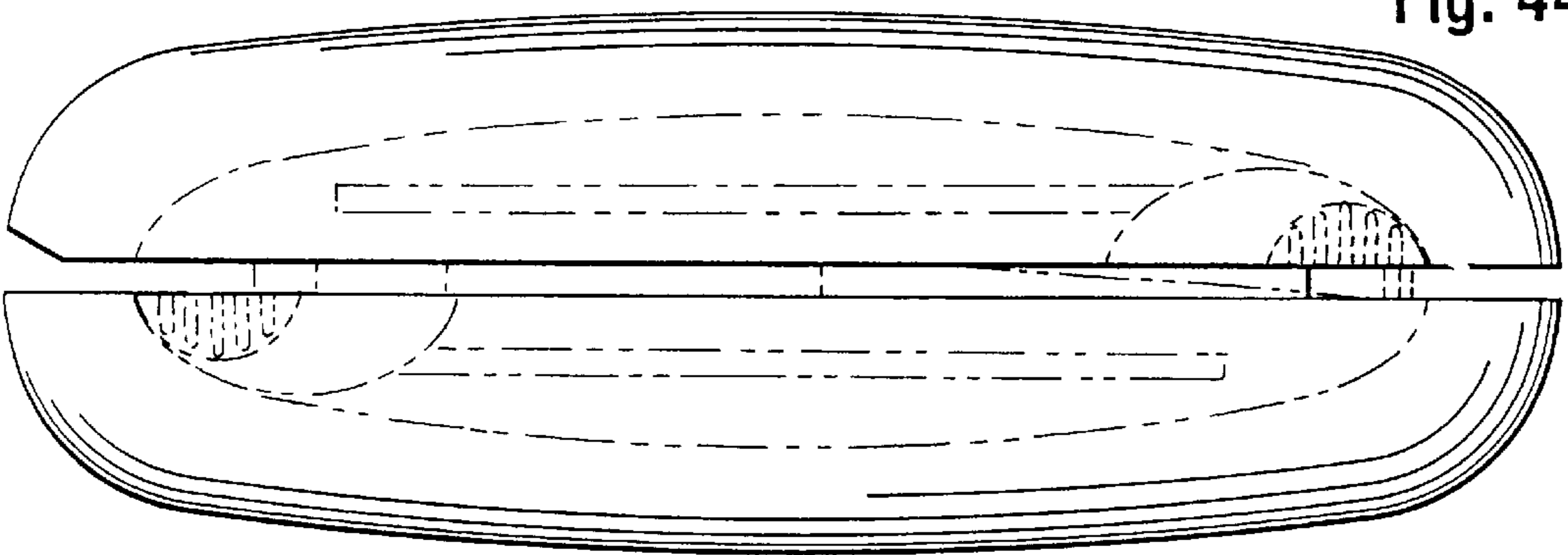


Fig. 45

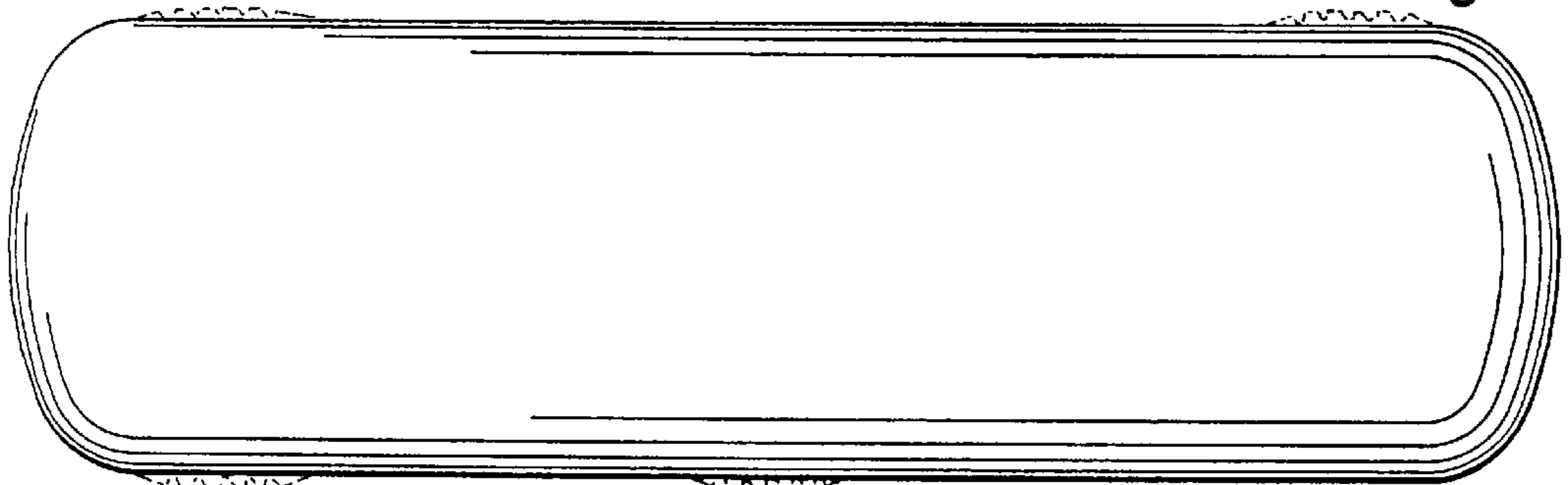


Fig. 46

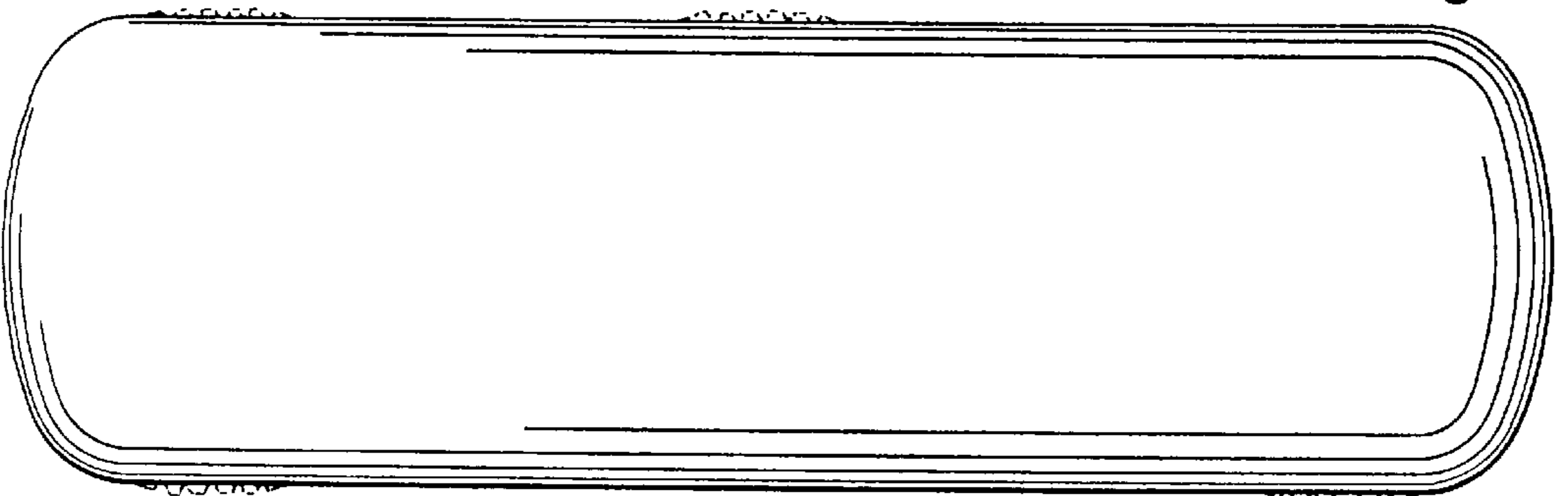


Fig. 47

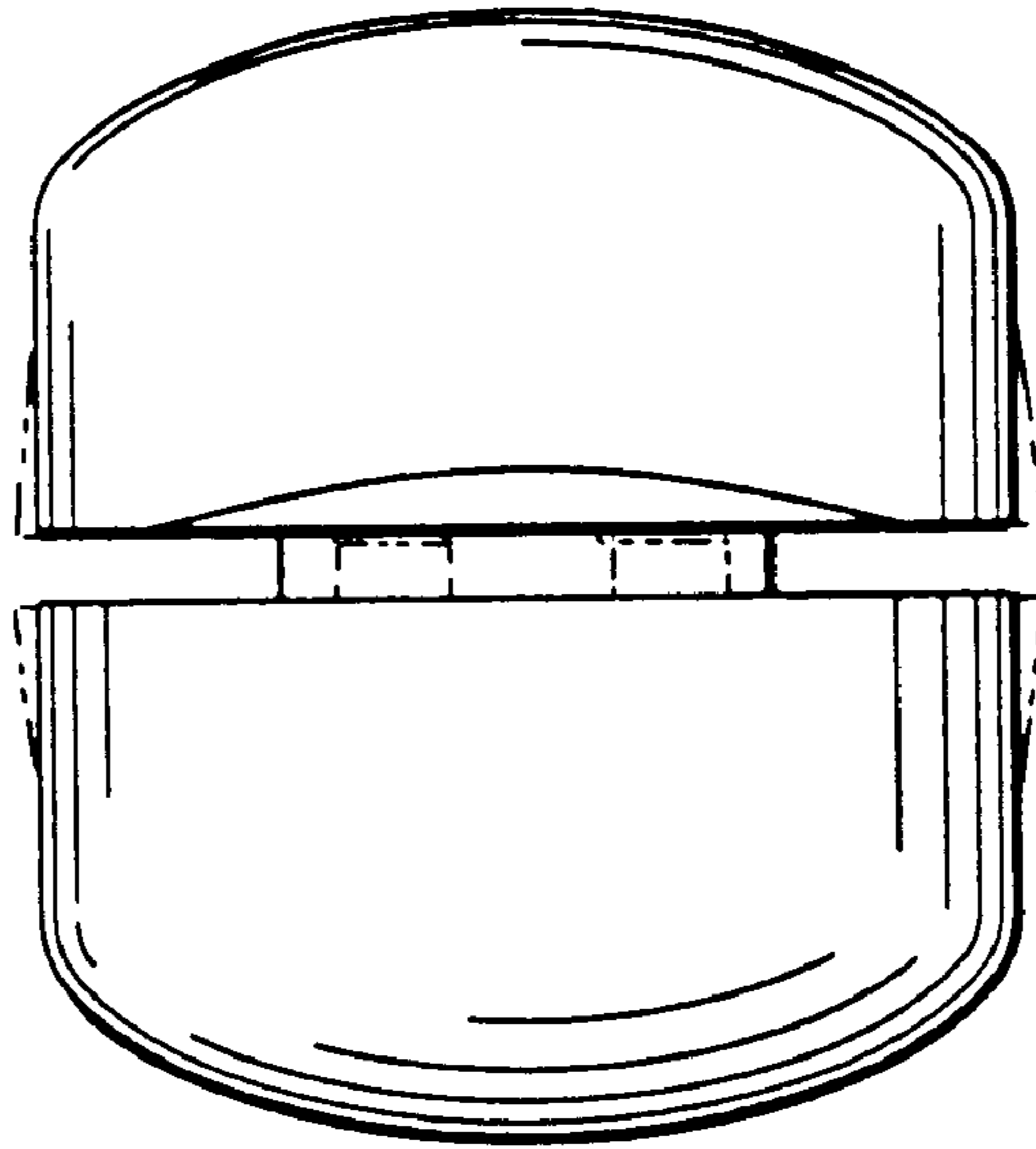
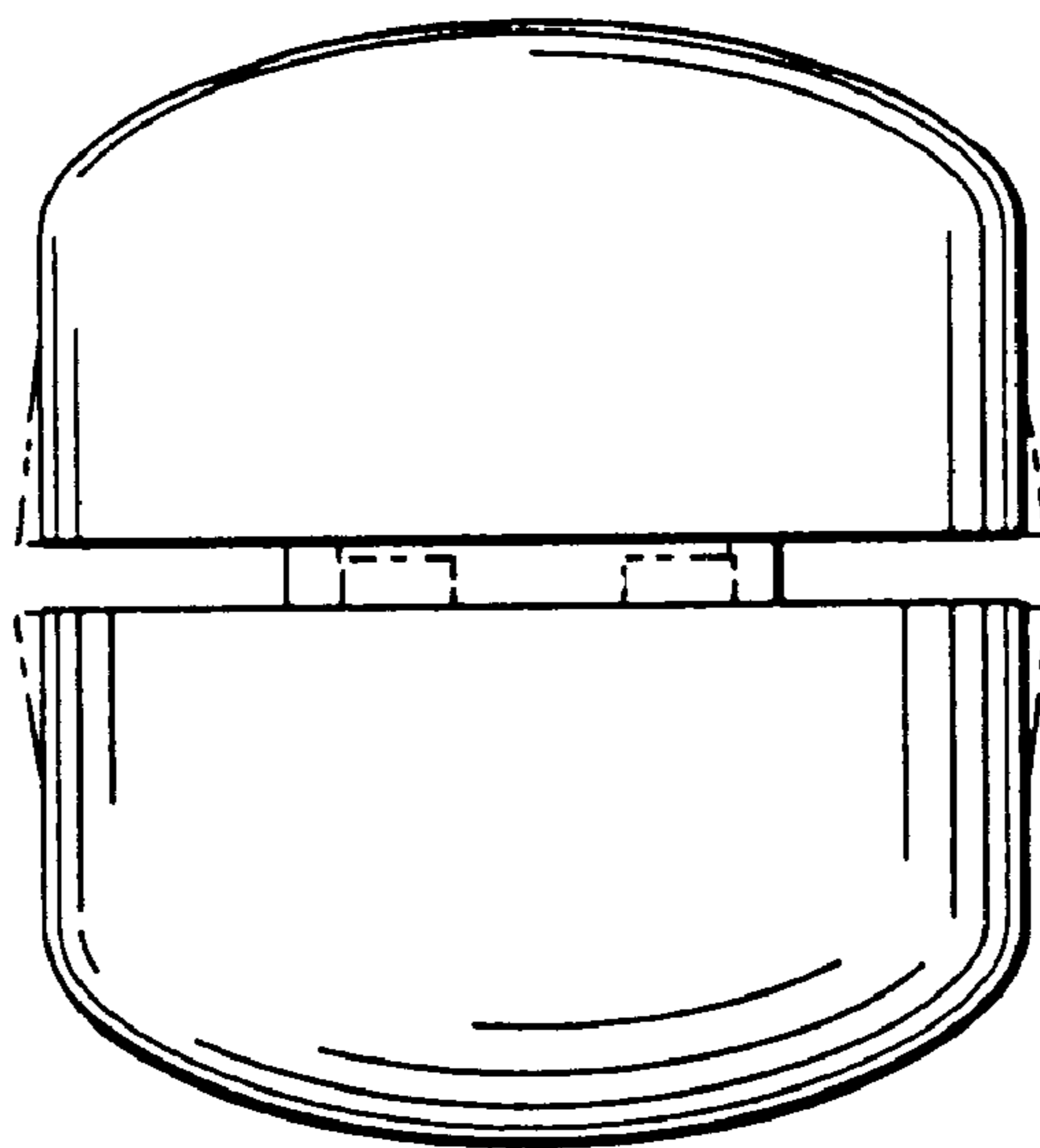


Fig. 48



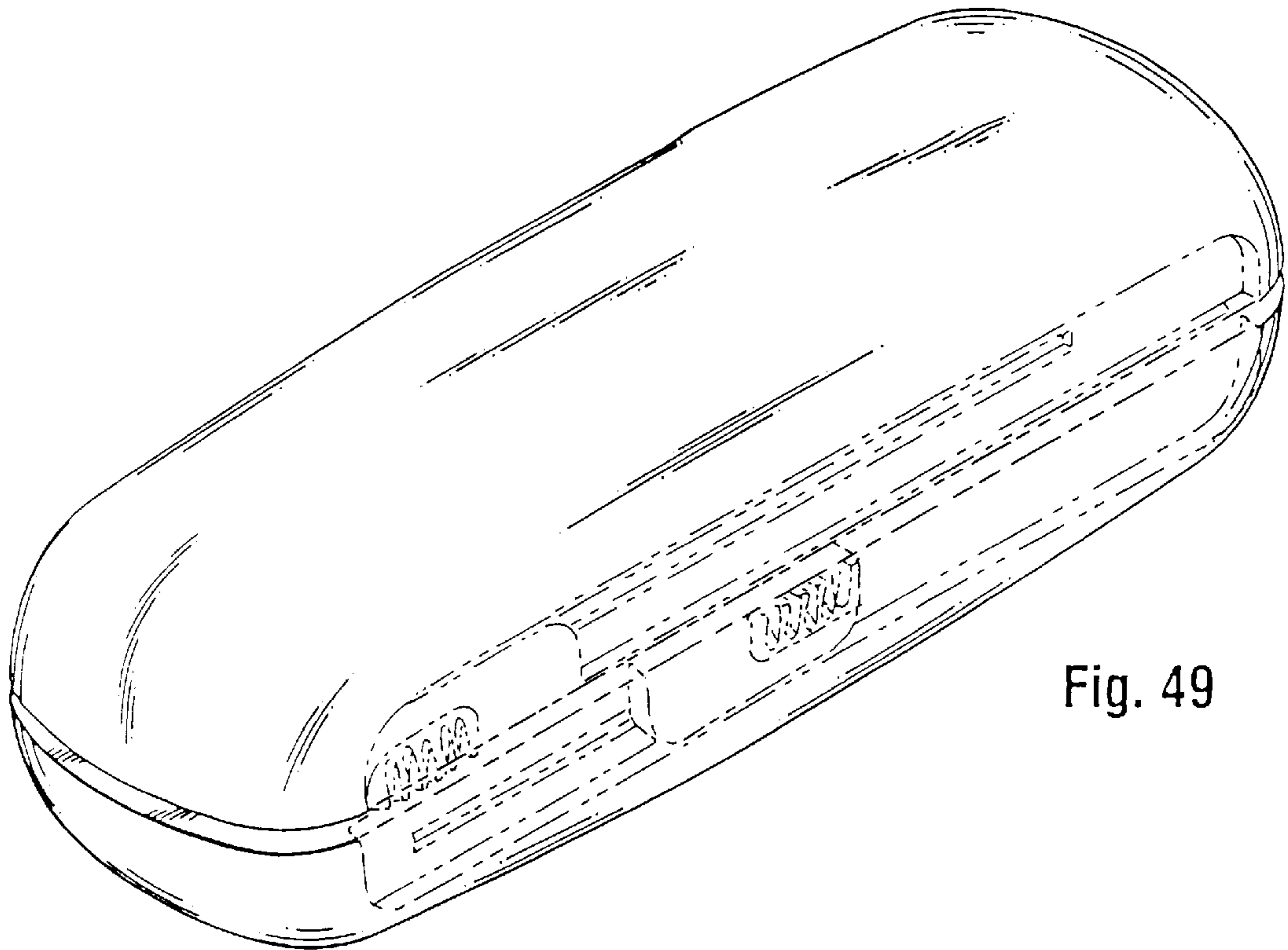


Fig. 49

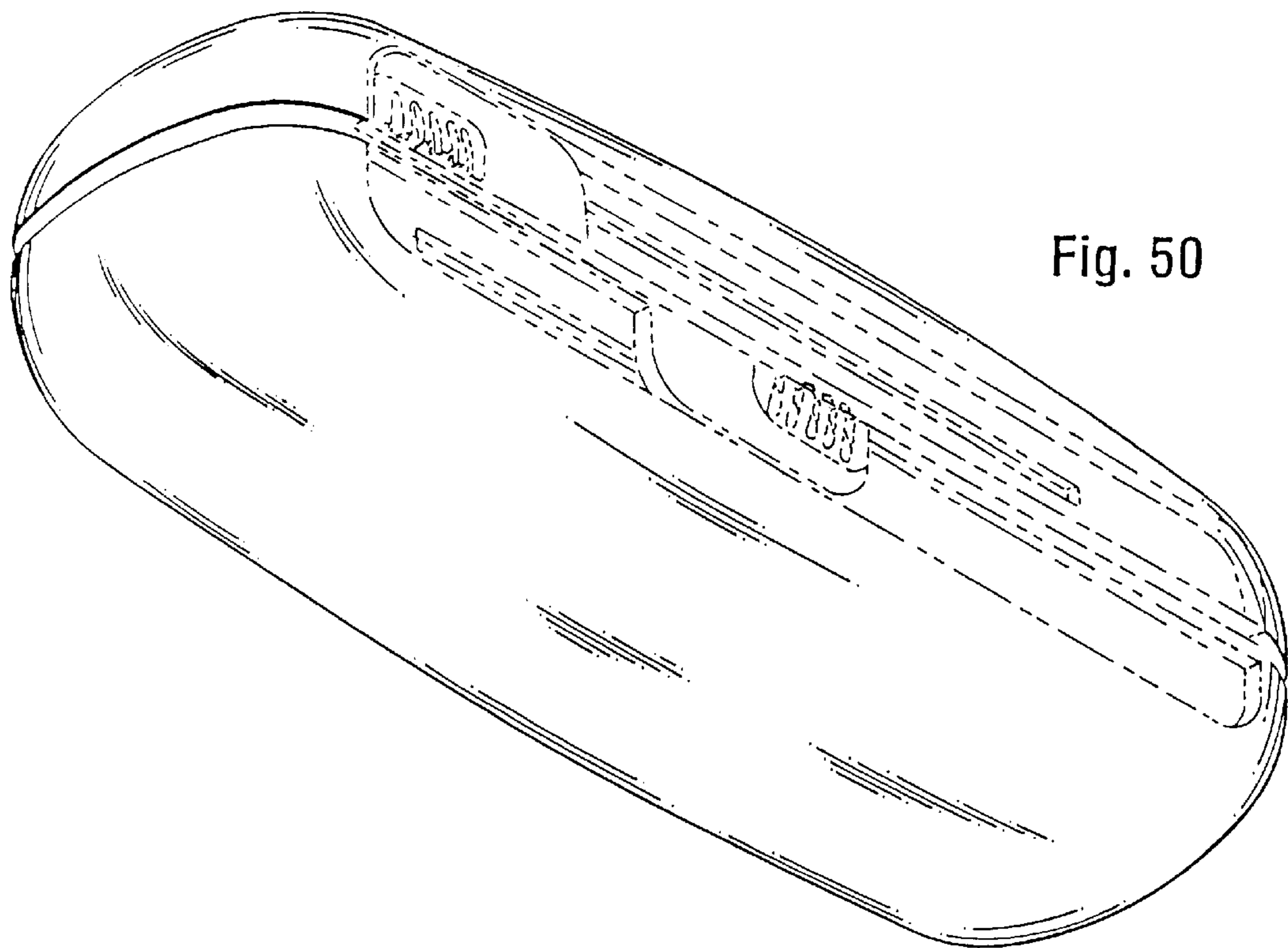


Fig. 50

Fig. 51

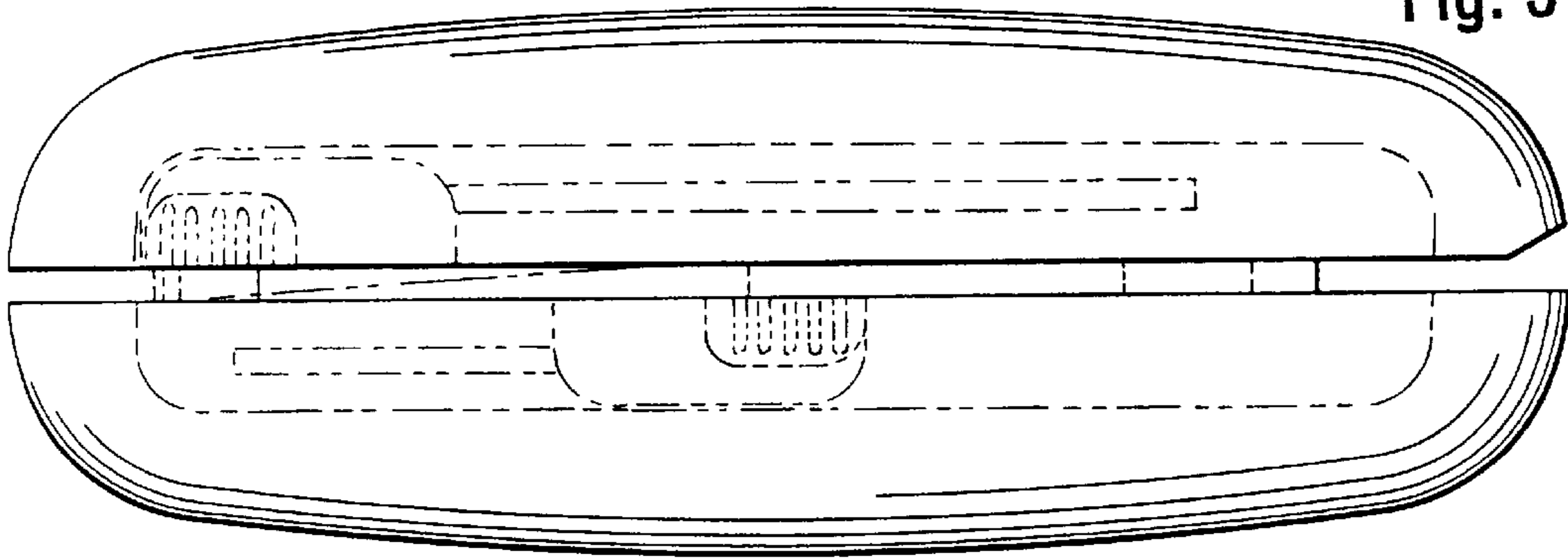


Fig. 52

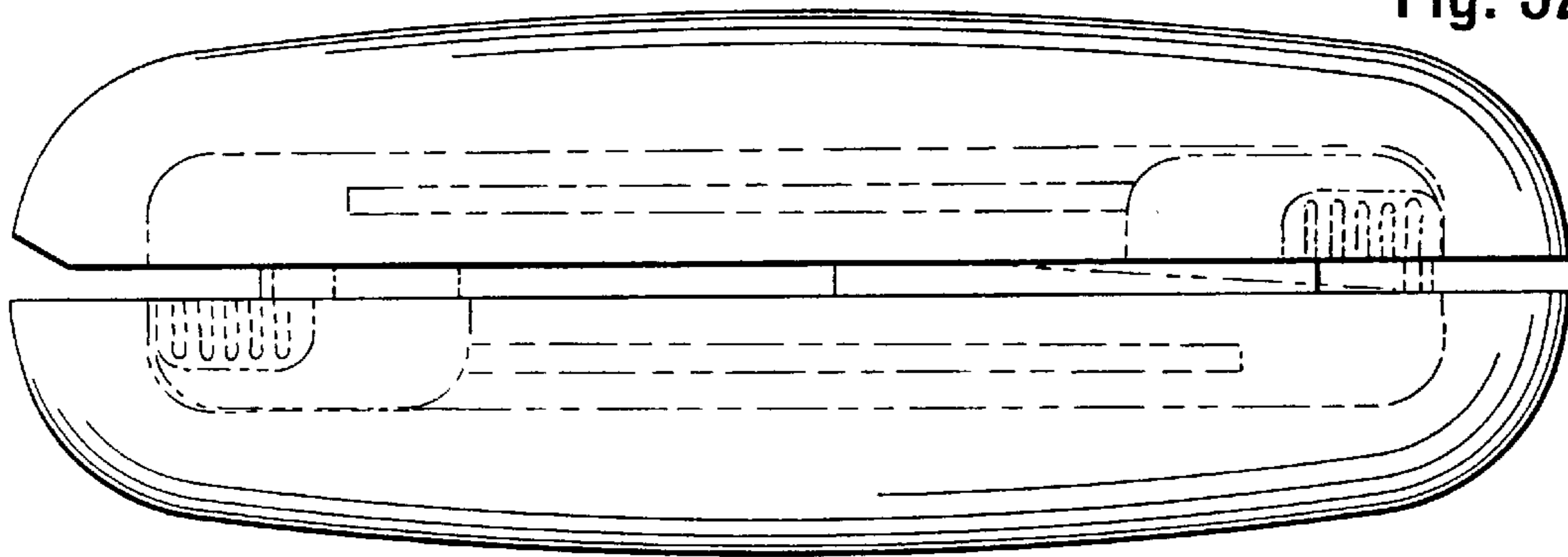


Fig. 53

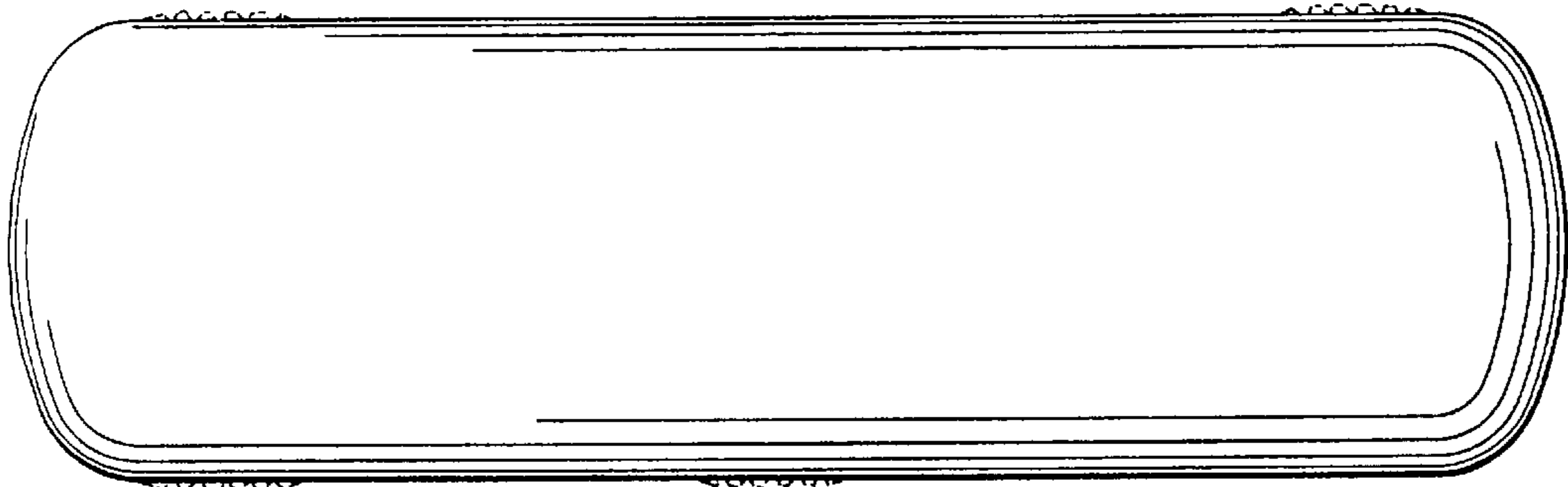


Fig. 54

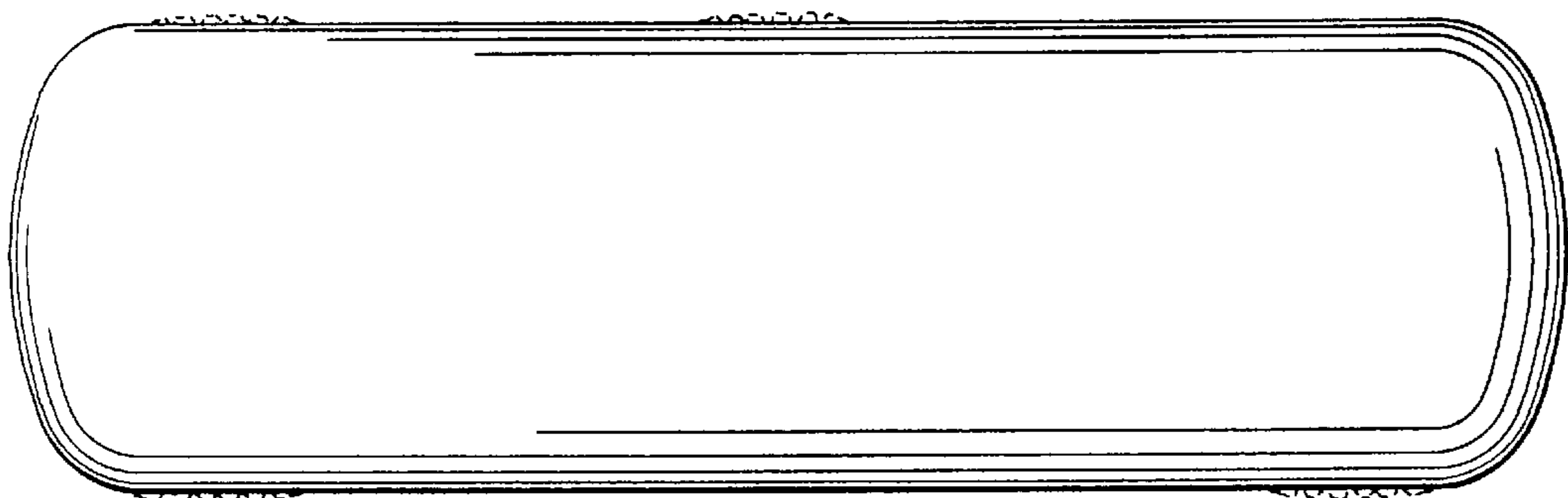


Fig. 55

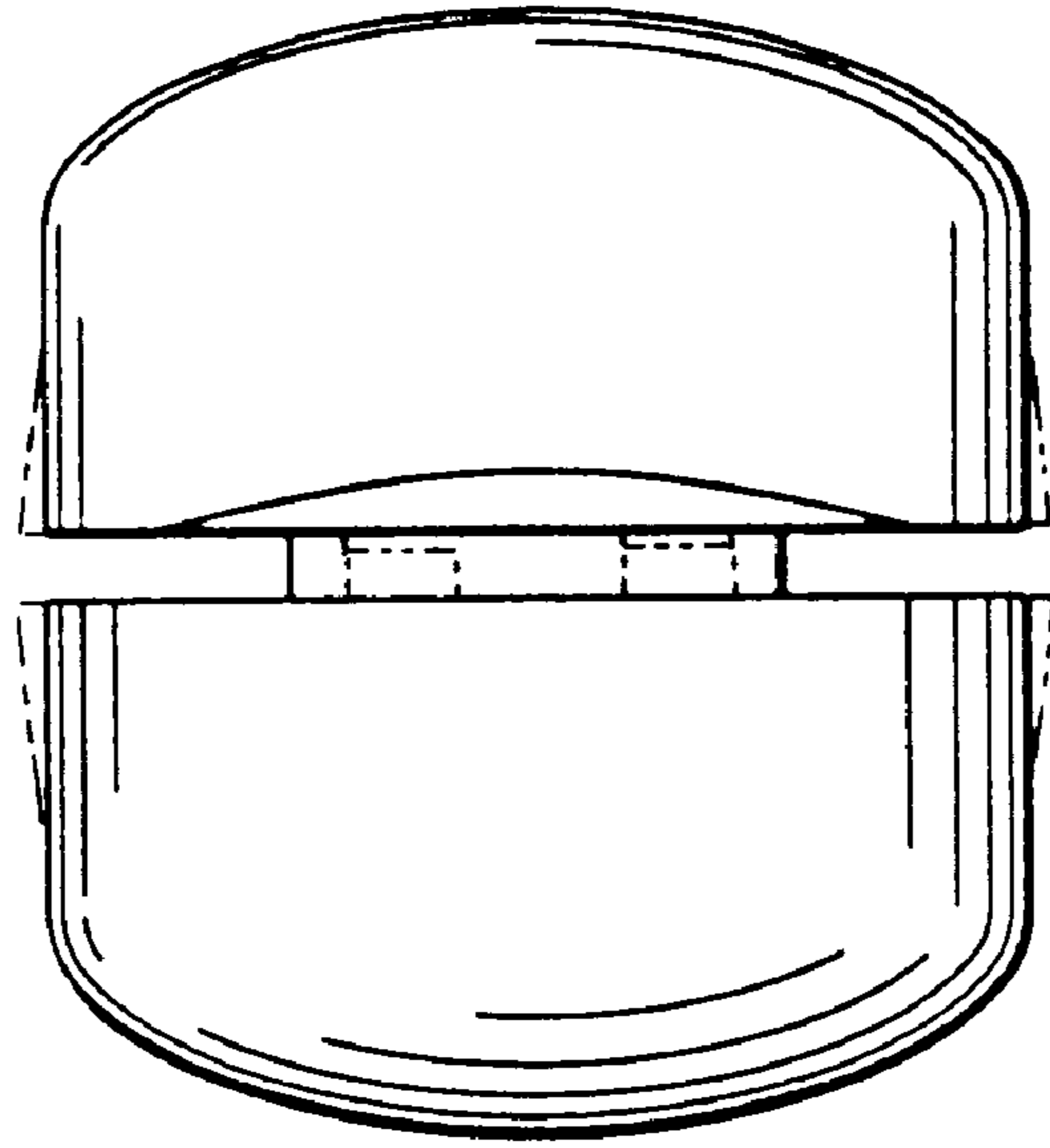
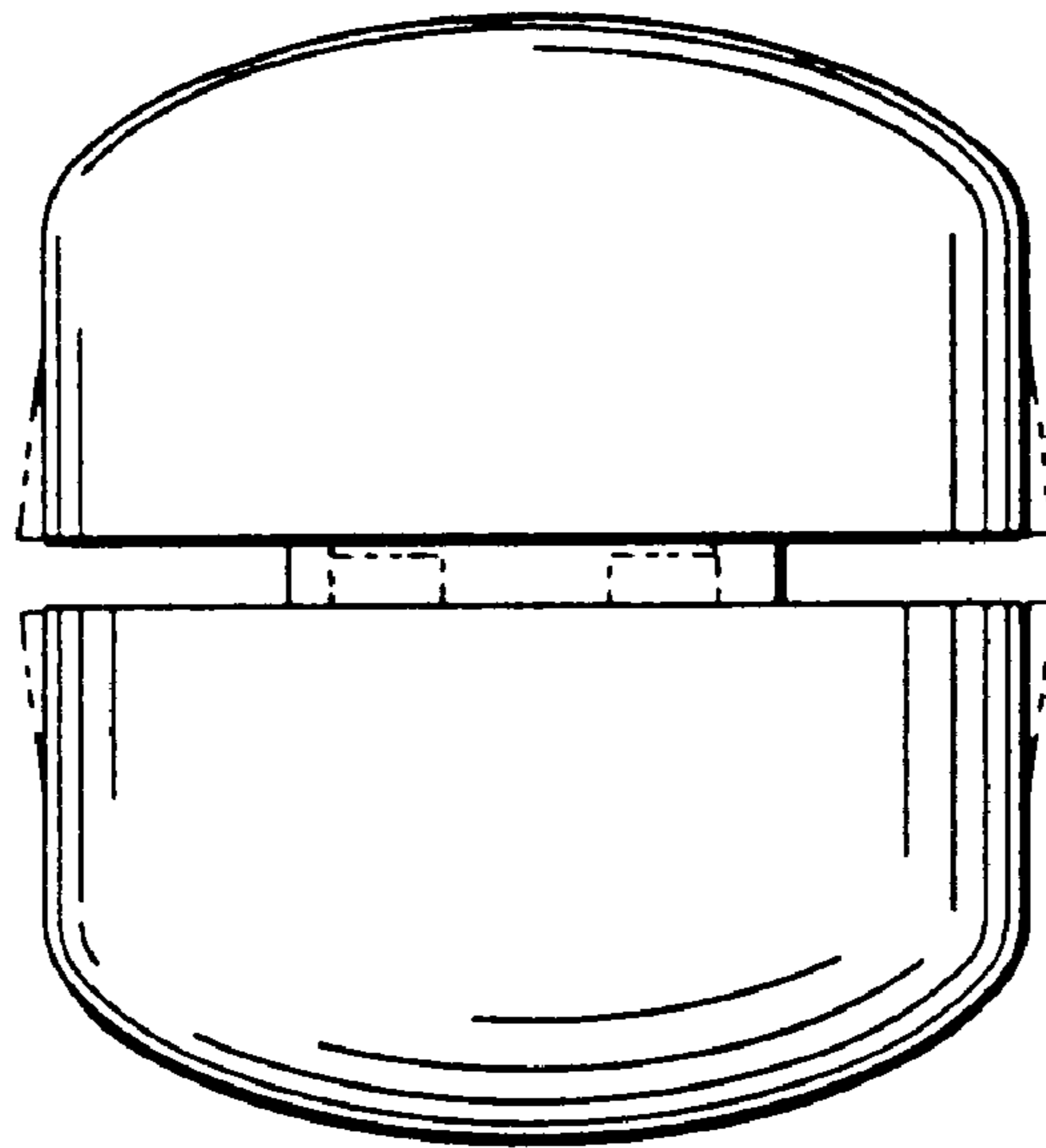


Fig. 56



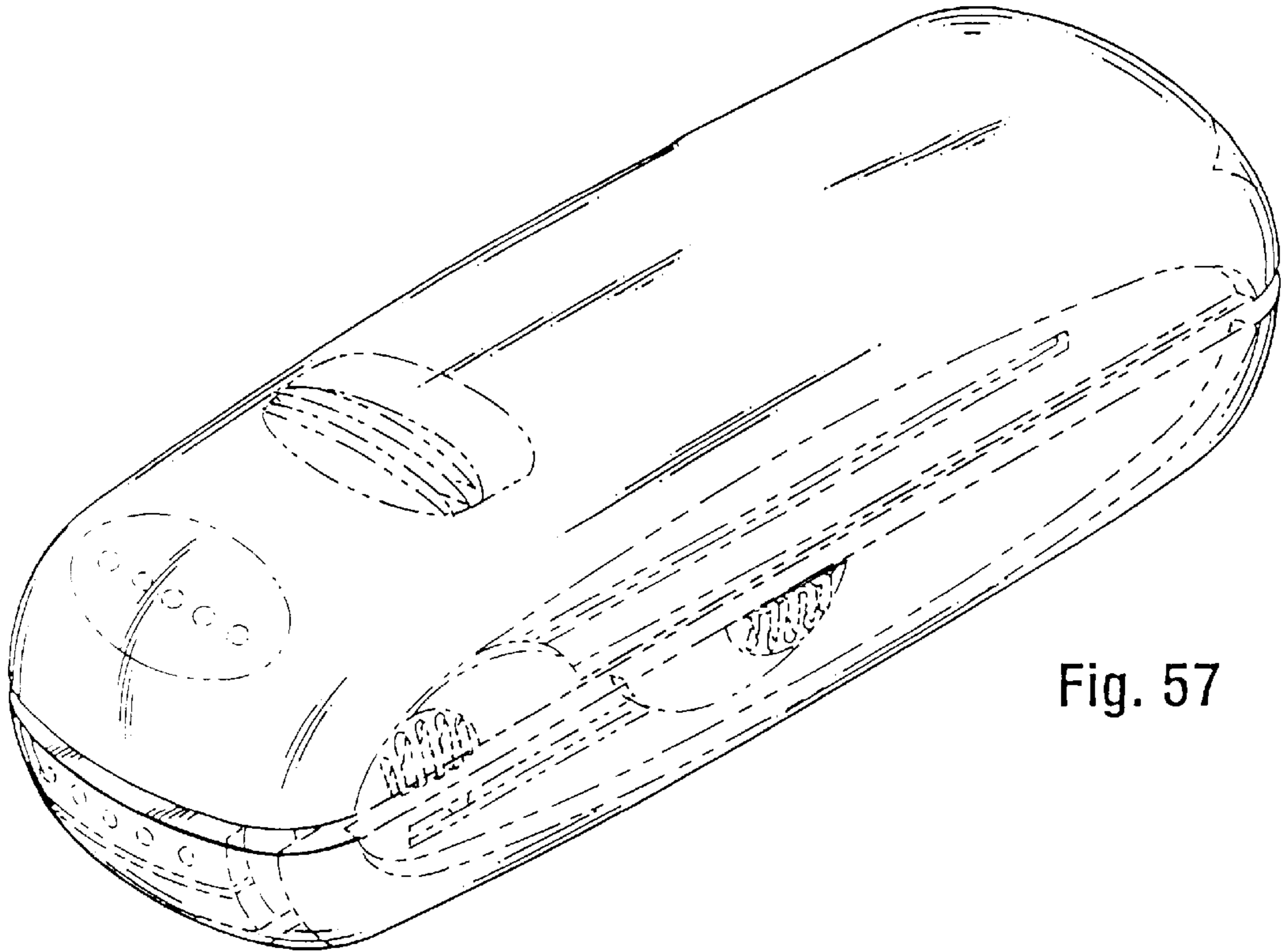


Fig. 57

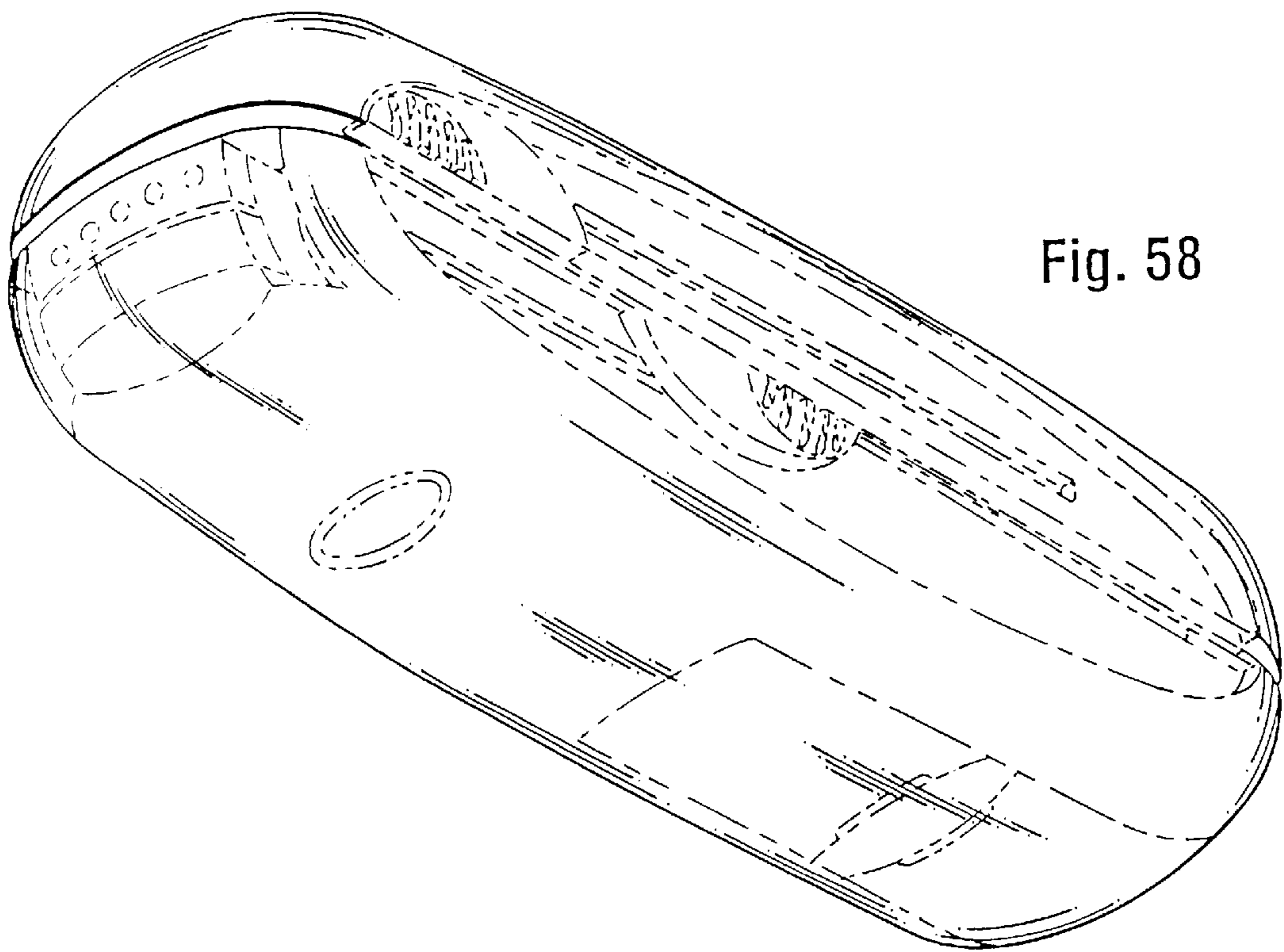


Fig. 58

Fig. 59

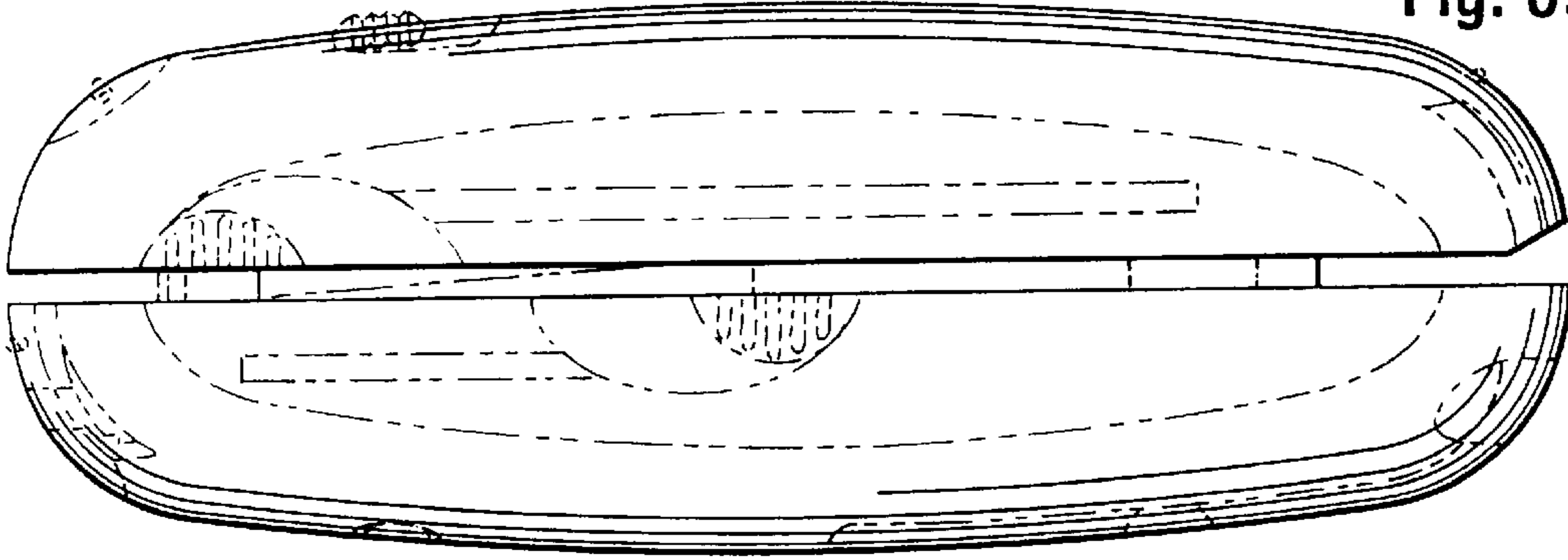


Fig. 60

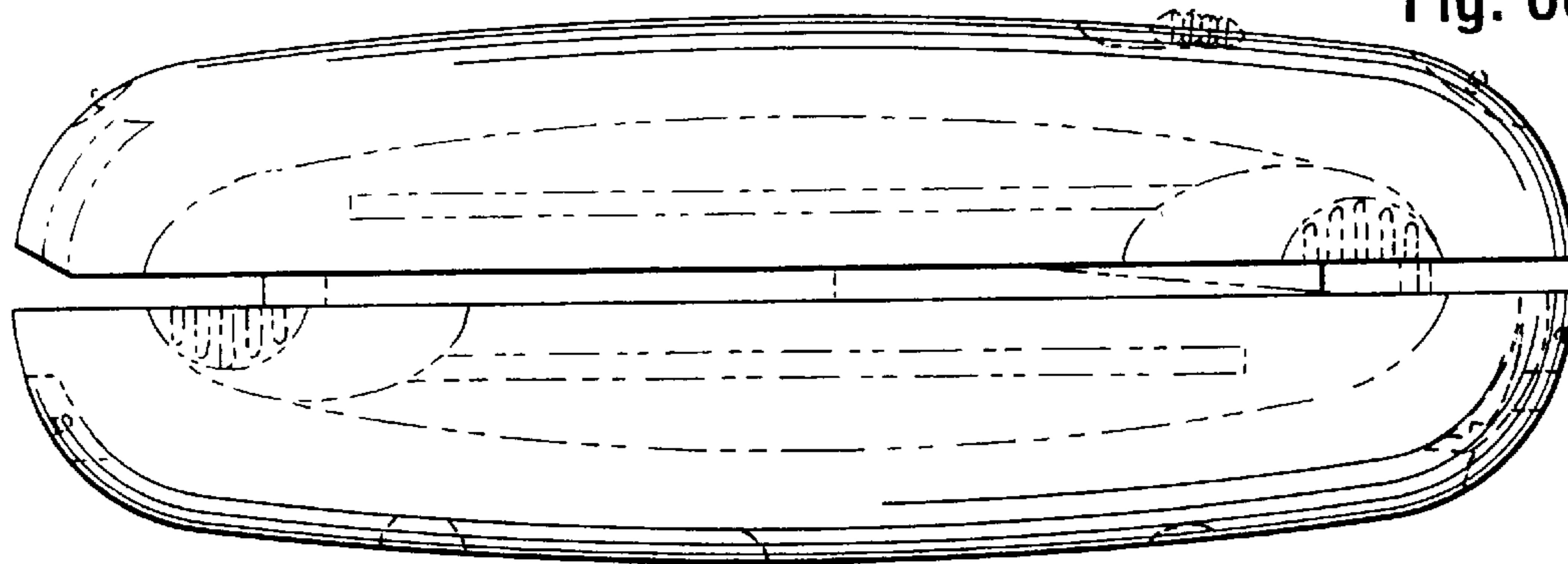


Fig. 61

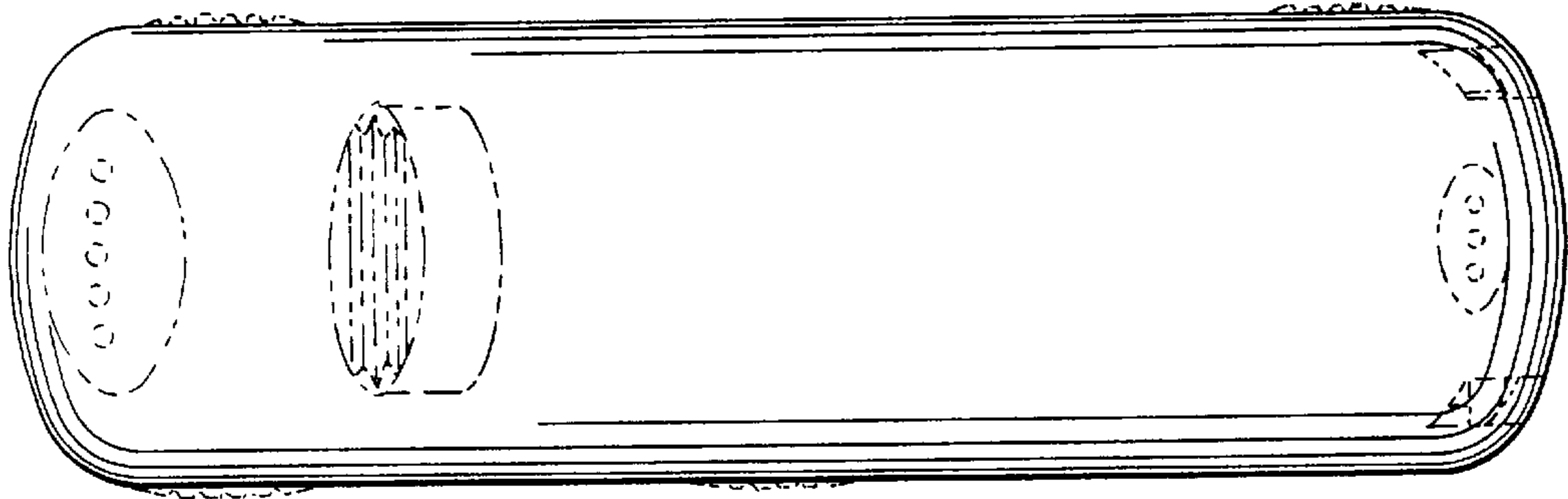


Fig. 62

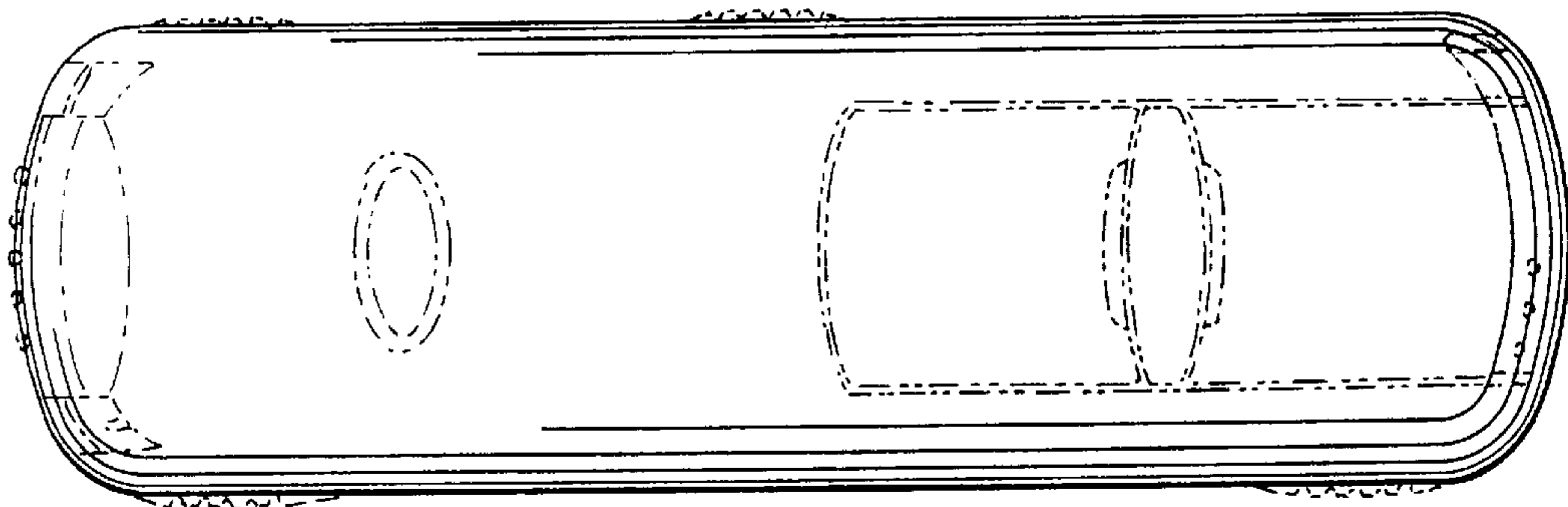


Fig. 63

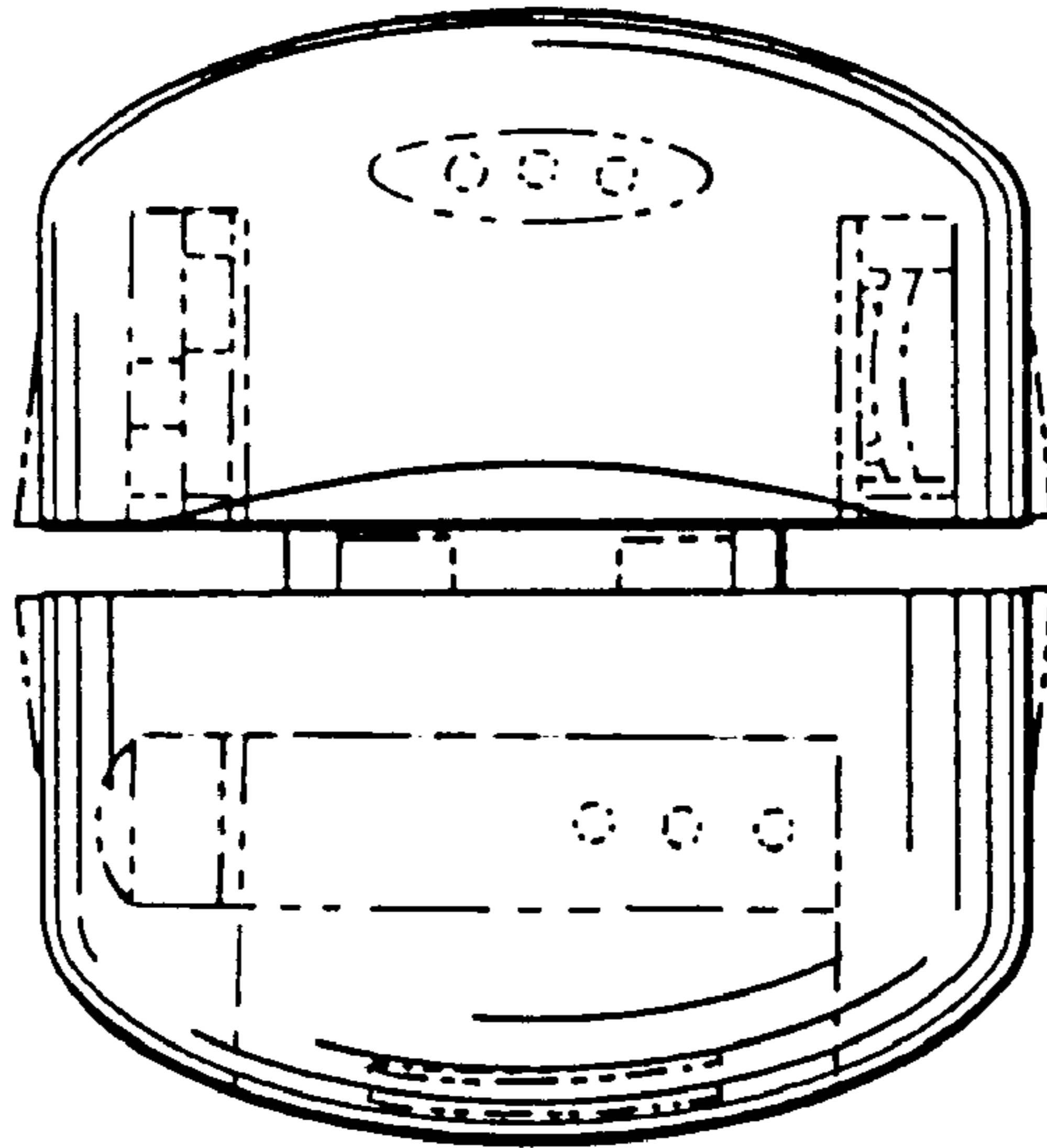
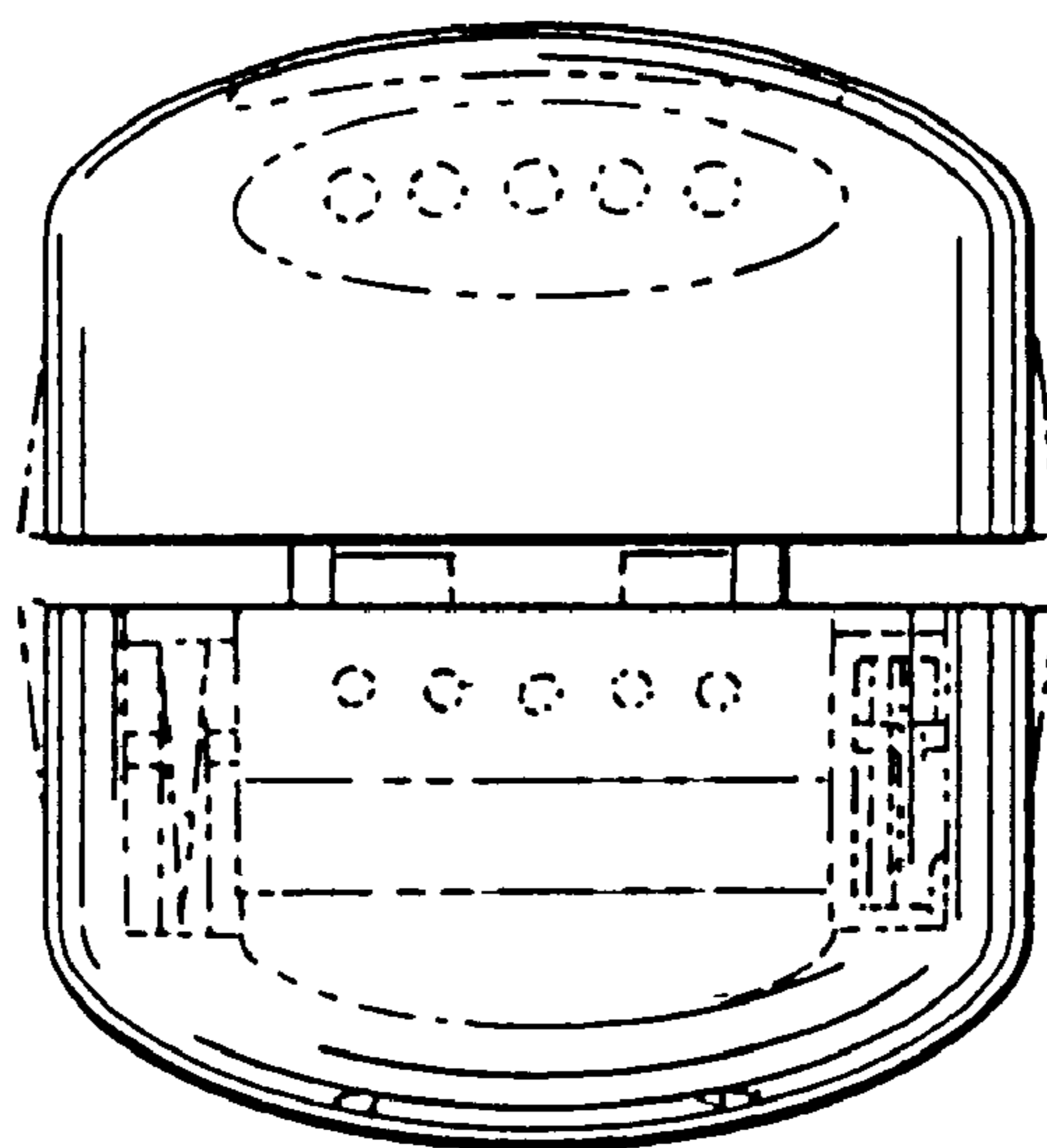


Fig. 64



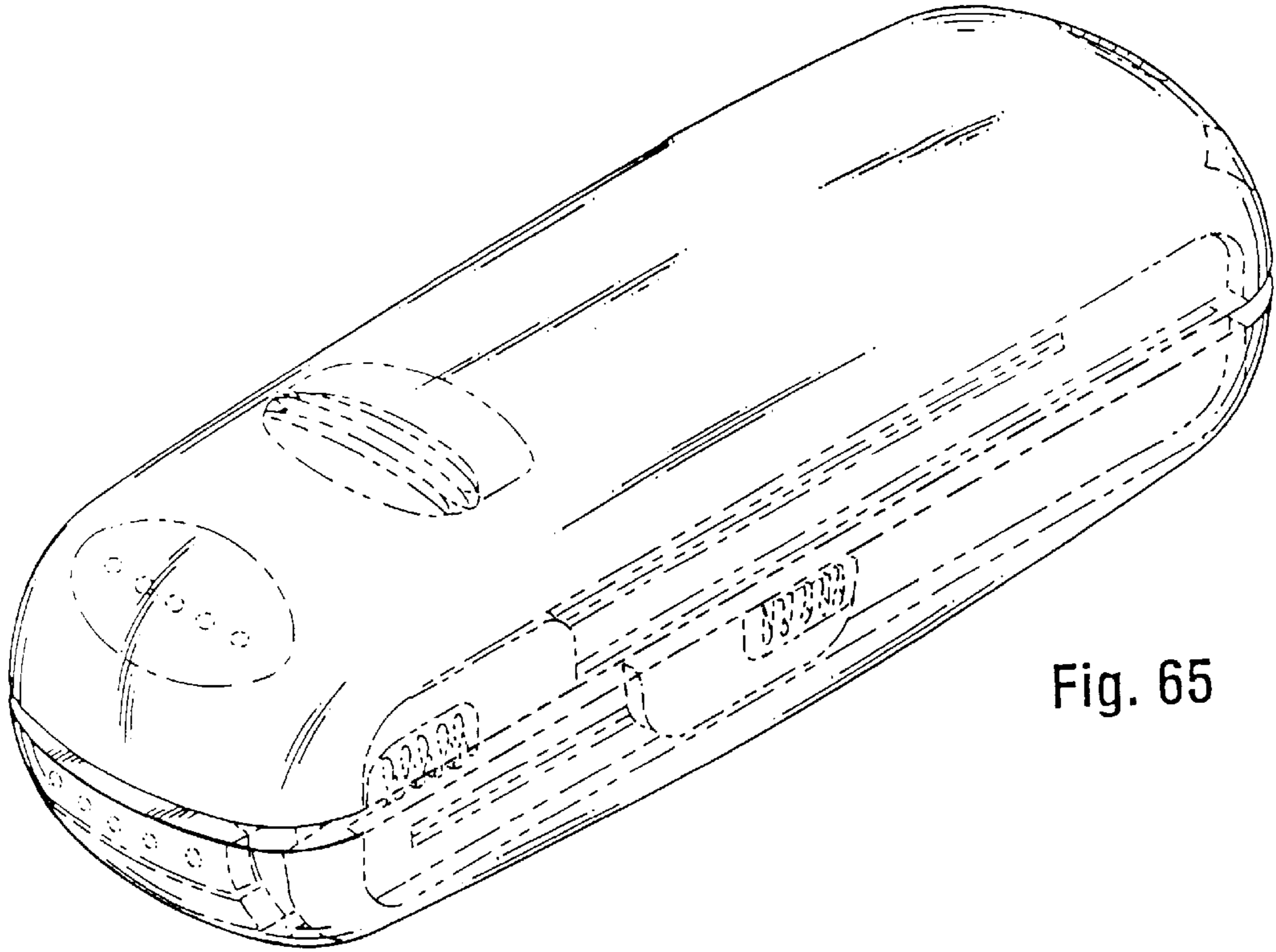


Fig. 65

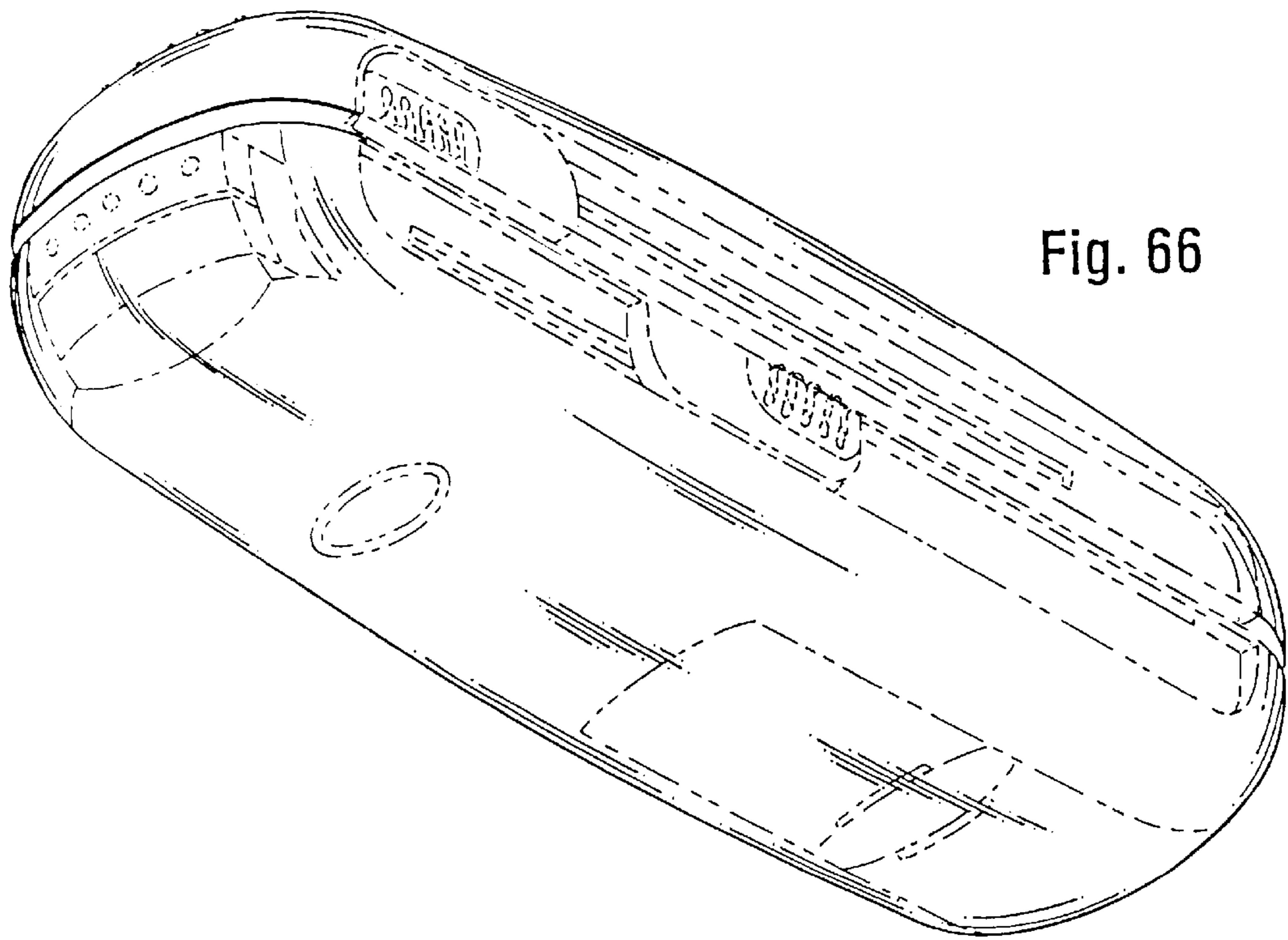


Fig. 66

Fig. 67

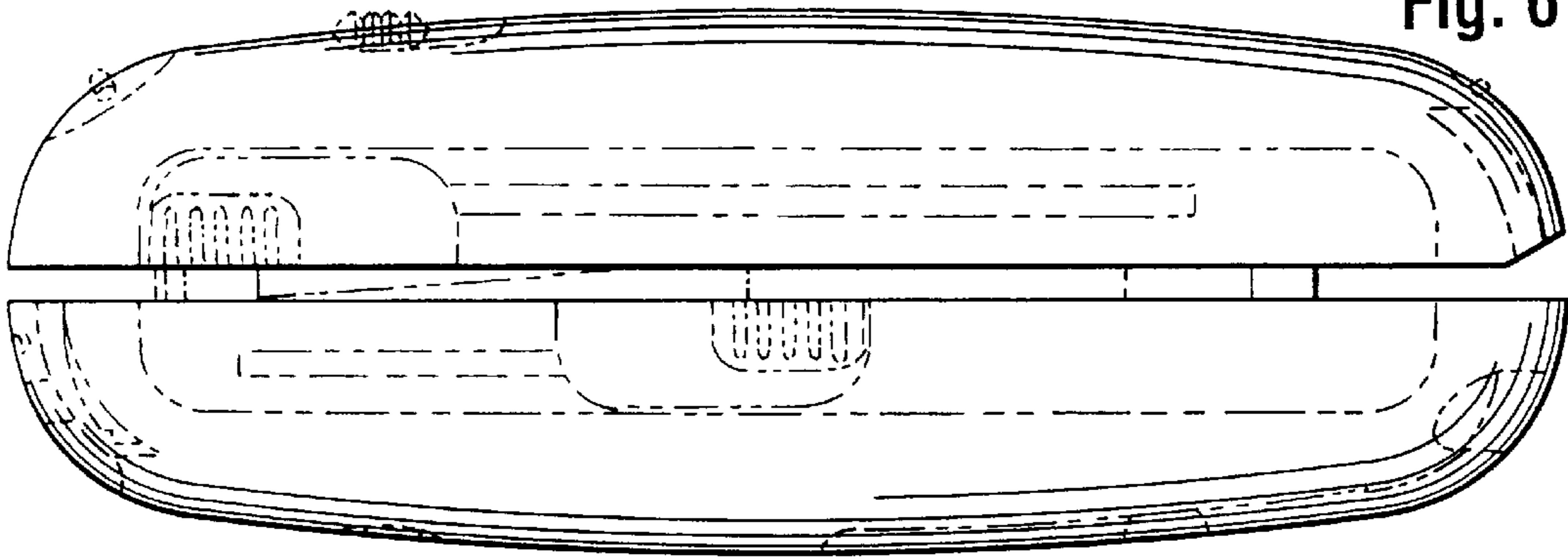


Fig. 68

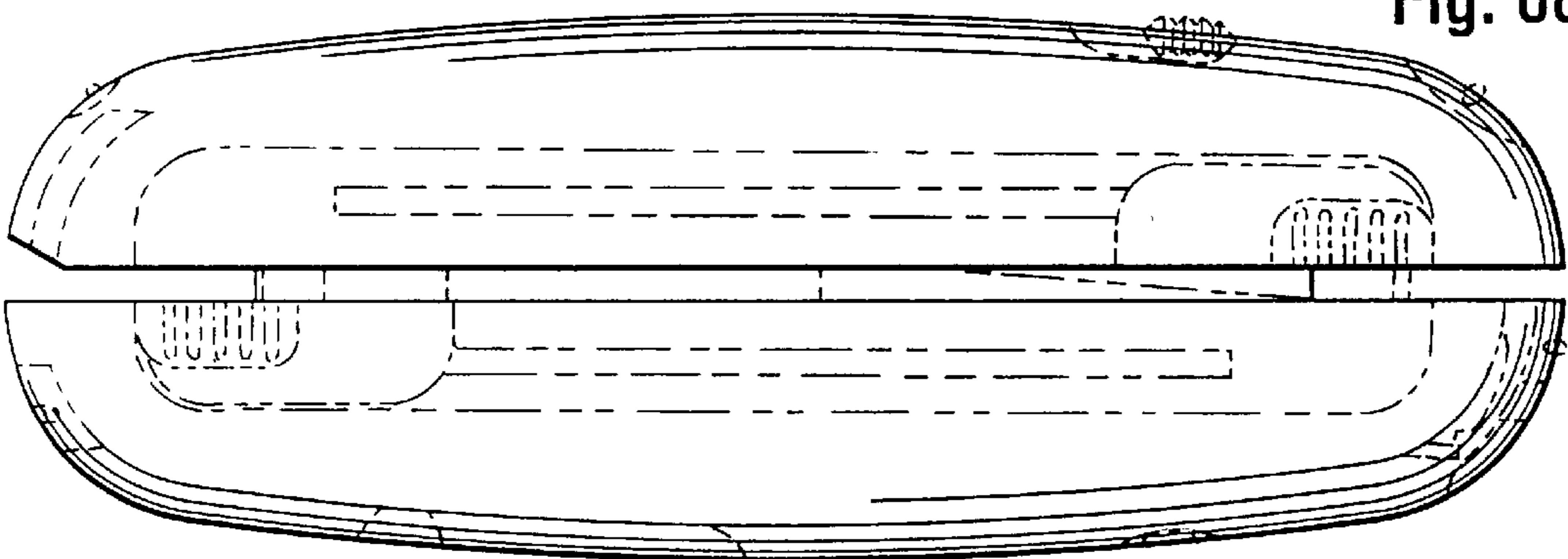


Fig. 69

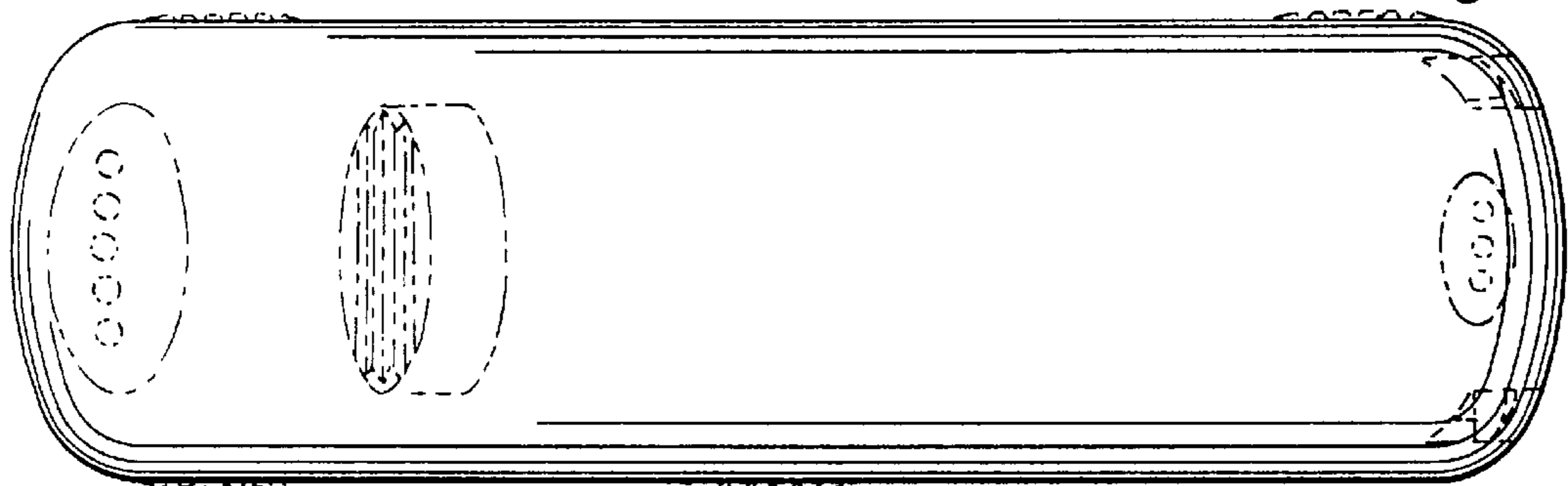


Fig. 70

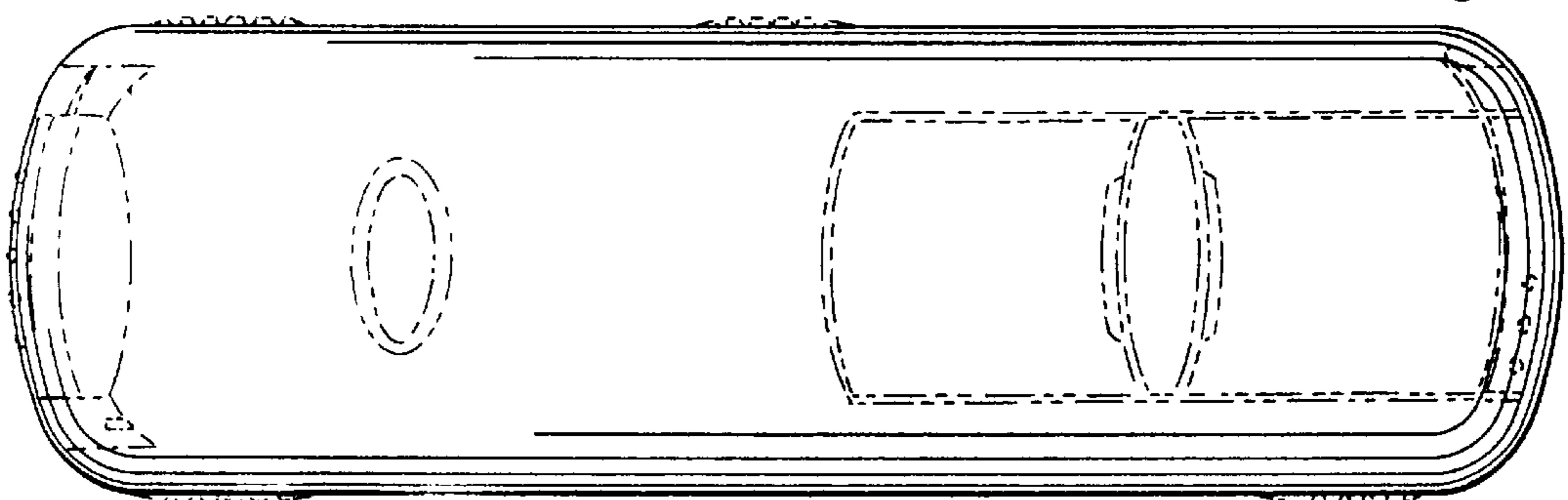


Fig. 71

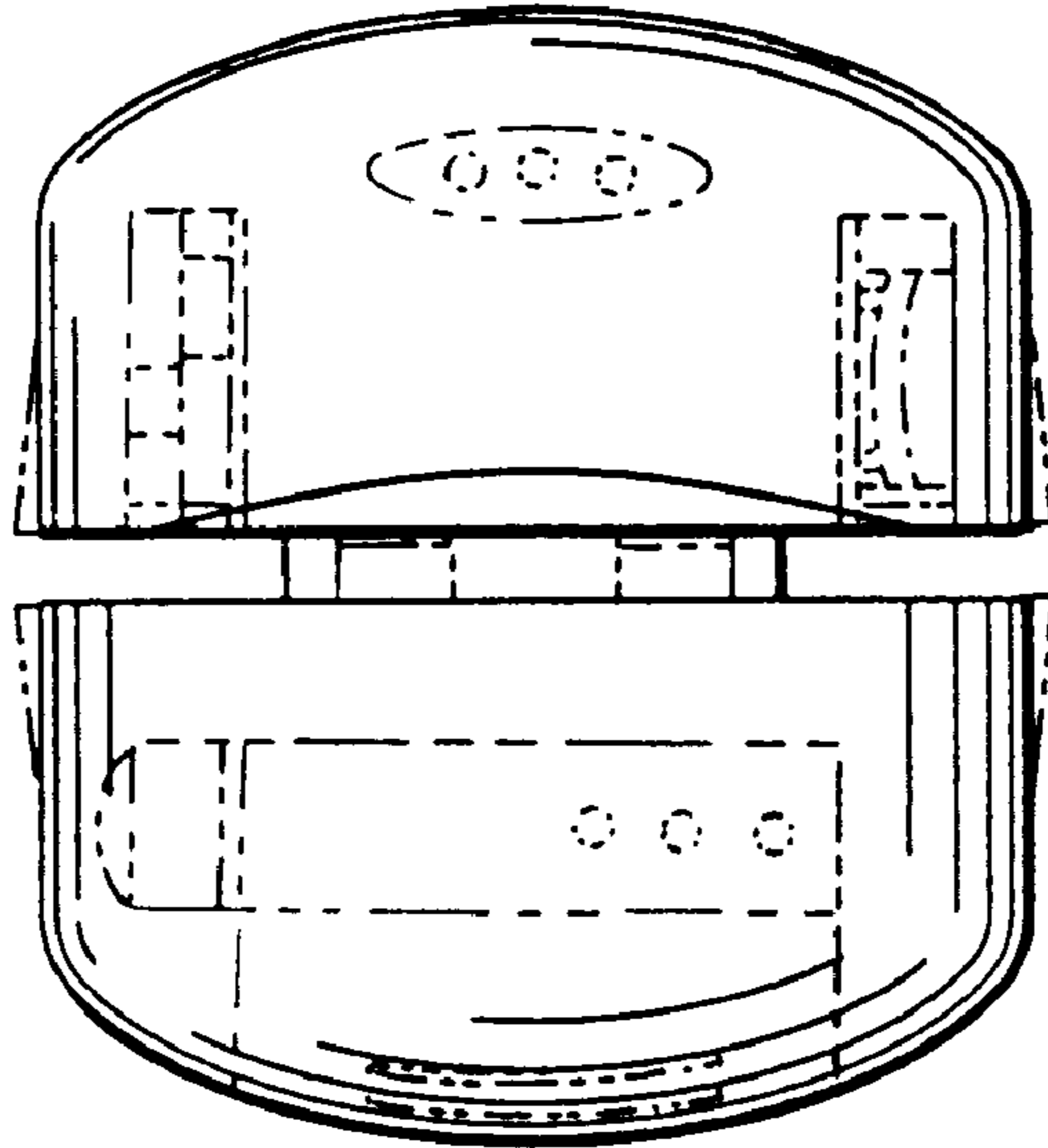


Fig. 72

