



US00D425116S

United States Patent [19] Pflug

[11] **Patent Number: Des. 425,116**

[45] **Date of Patent: ** May 16, 2000**

[54] **PHOTO ALBUM**

[76] Inventor: **John R. Pflug**, Laurelwood 8510
Shadeway Pl., Springfield, Va.
22153-3205

[**] Term: **14 Years**

[21] Appl. No.: **29/102,688**

[22] Filed: **Mar. 30, 1999**

[51] **LOC (7) Cl. 19-04**

[52] **U.S. Cl. D19/27**

[58] **Field of Search** D19/26, 27; 281/28-33,
281/35-45, 3.1, 15.1, 19.1, 20, 21.1, 22,
27.1-27.3, 51; 402/3-4, 79, 80 R

[56] **References Cited**

U.S. PATENT DOCUMENTS

D. 138,689	9/1944	DeVry .	
D. 350,458	9/1994	Plath	D6/632
D. 406,602	3/1999	Karten	D19/27
768,159	8/1904	Suckert .	
5,156,271	10/1992	Toner	206/457

Primary Examiner—Nelson C. Holtje

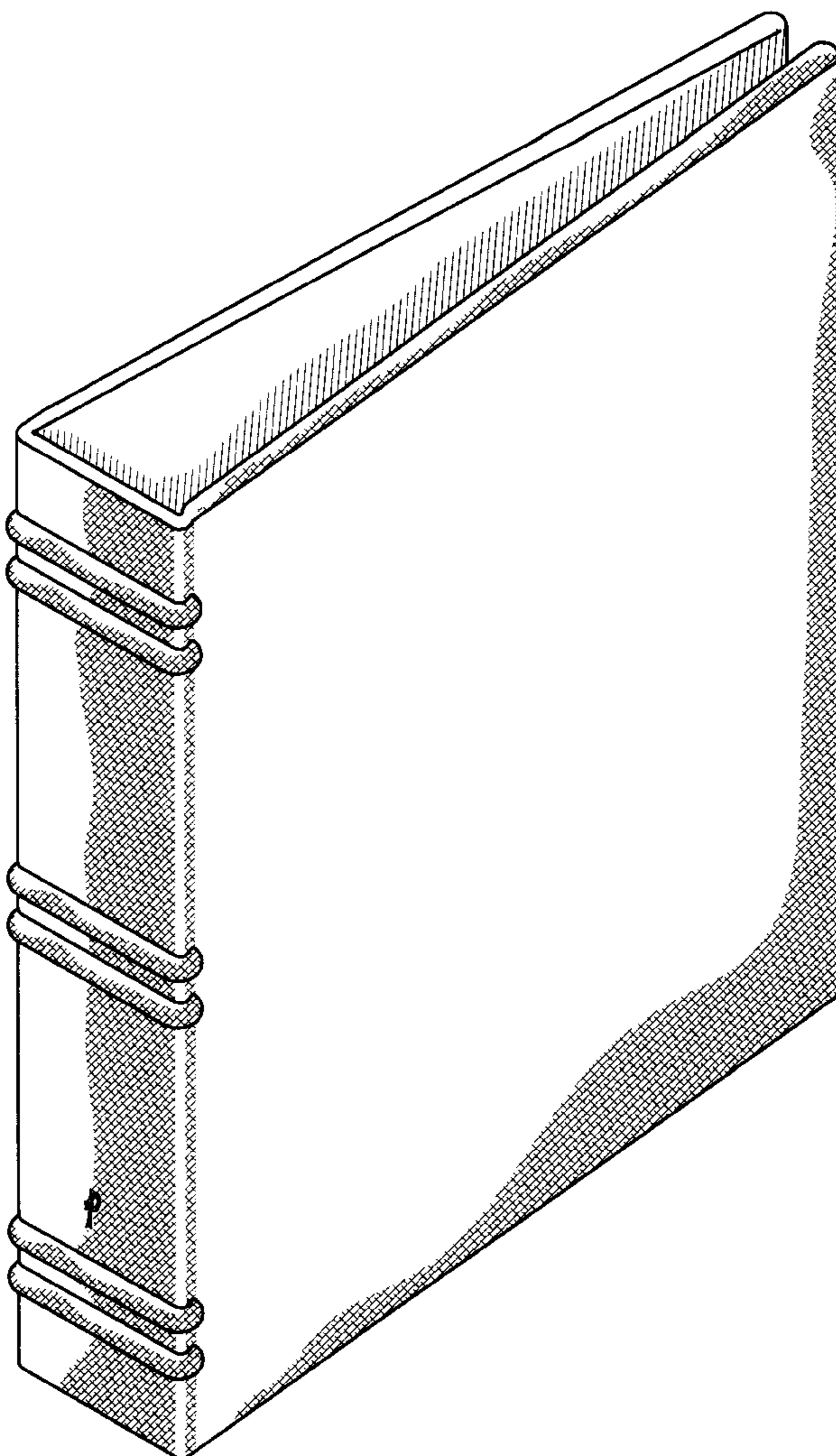
[57] **CLAIM**

The ornamental design for a photo album, as shown and described.

DESCRIPTION

FIG. 1 is an environmental perspective view of a photo album showing a first embodiment of my new design; FIG. 2 is a right side elevational view thereof; FIG. 3 is a left side elevational view thereof; FIG. 4 is a bottom view thereof with the top view being a mirror image thereof; FIG. 5 is a front elevational view thereof with the rear elevational view being a mirror image thereof; FIG. 6 is an environmental perspective view of a photo album showing a first embodiment of my new design; FIG. 7 is a right side elevational view thereof; FIG. 8 is a left side elevational view thereof; FIG. 9 is a bottom view thereof with the top view being a mirror image thereof; and, FIG. 10 is a front elevational view thereof with the rear elevational view being a mirror image thereof.

1 Claim, 7 Drawing Sheets



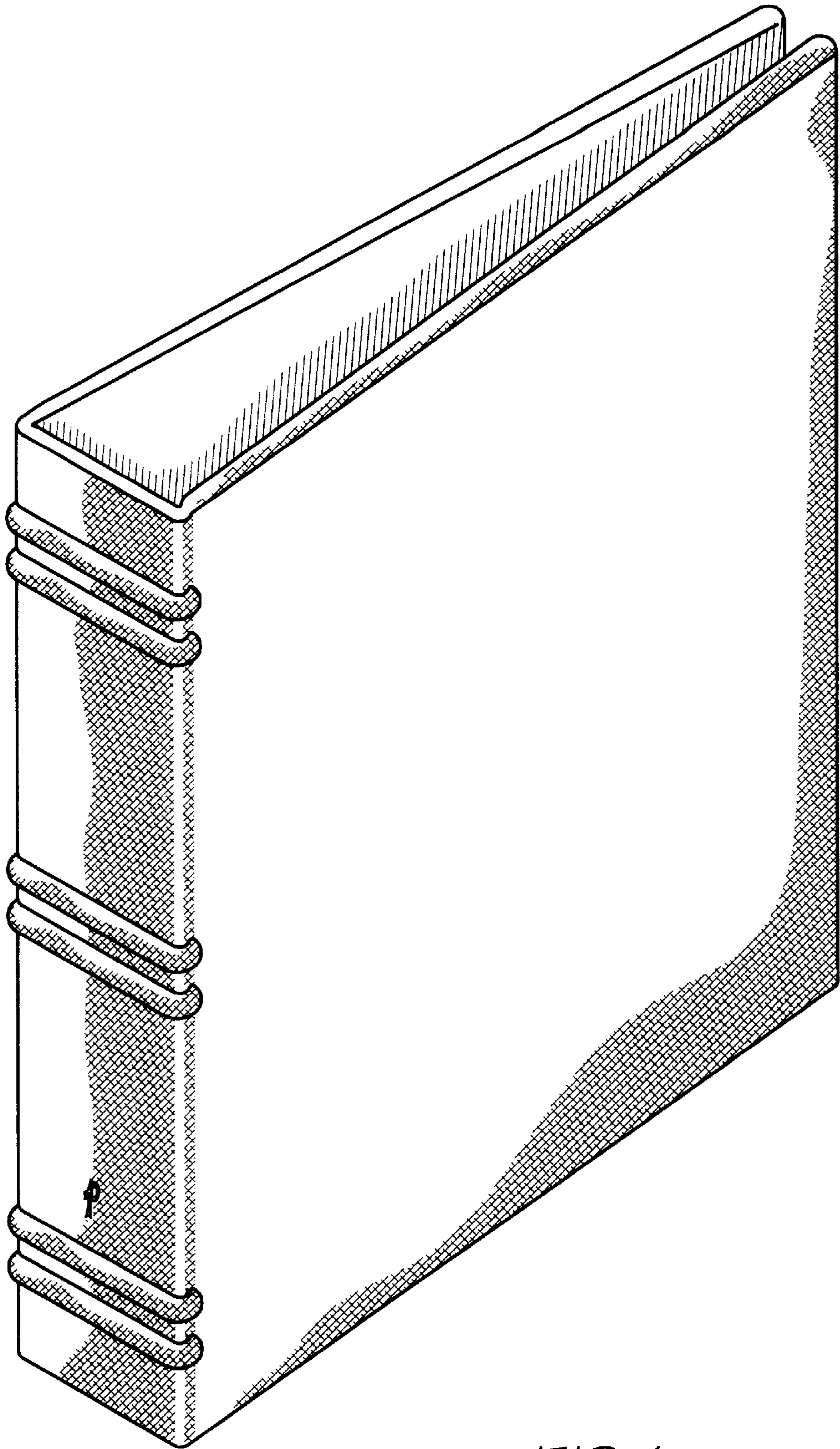


FIG. 1

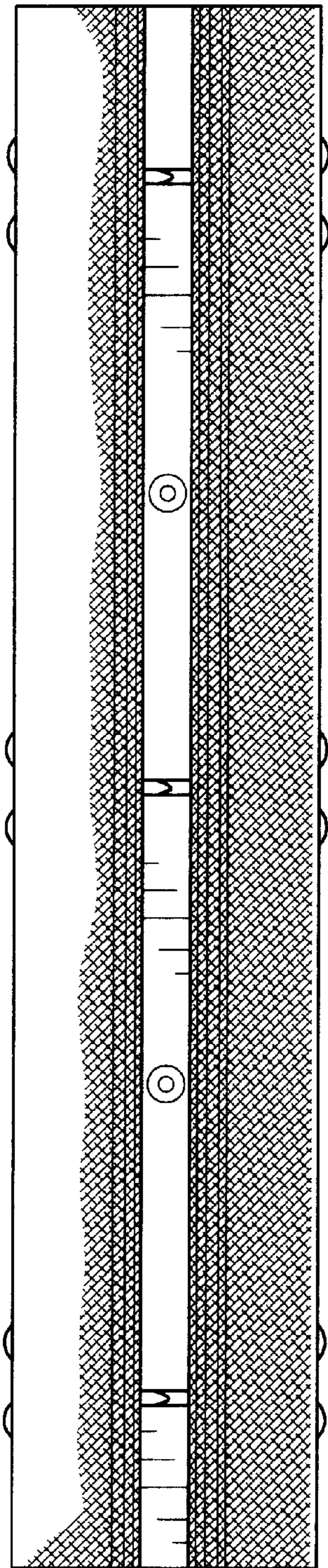


FIG. 2

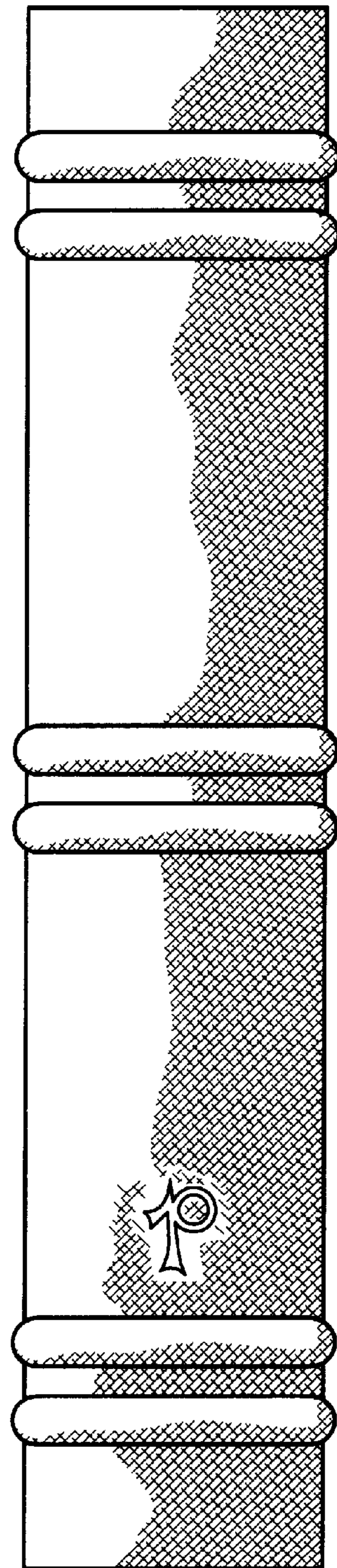


FIG. 3

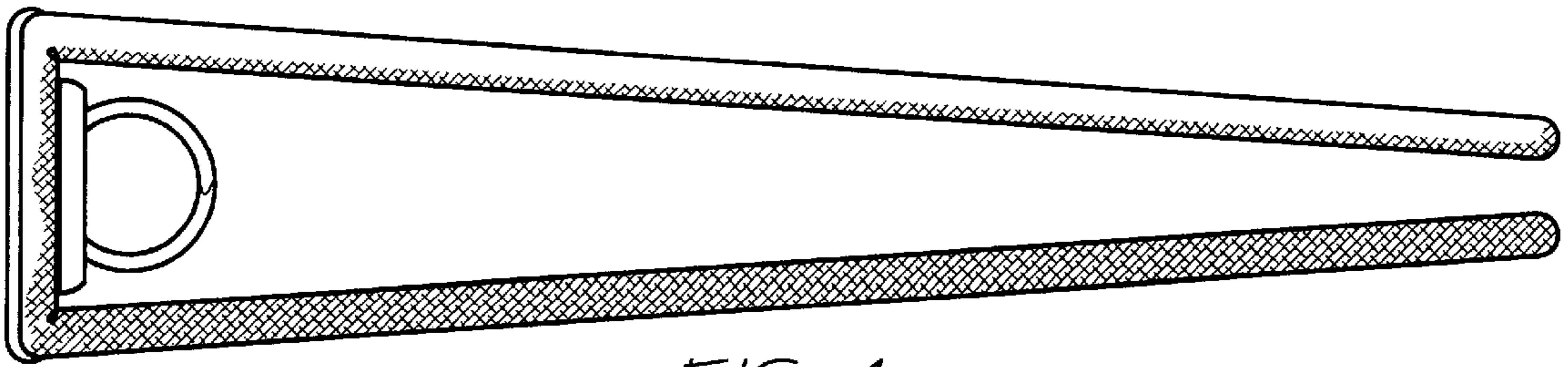


FIG. 4

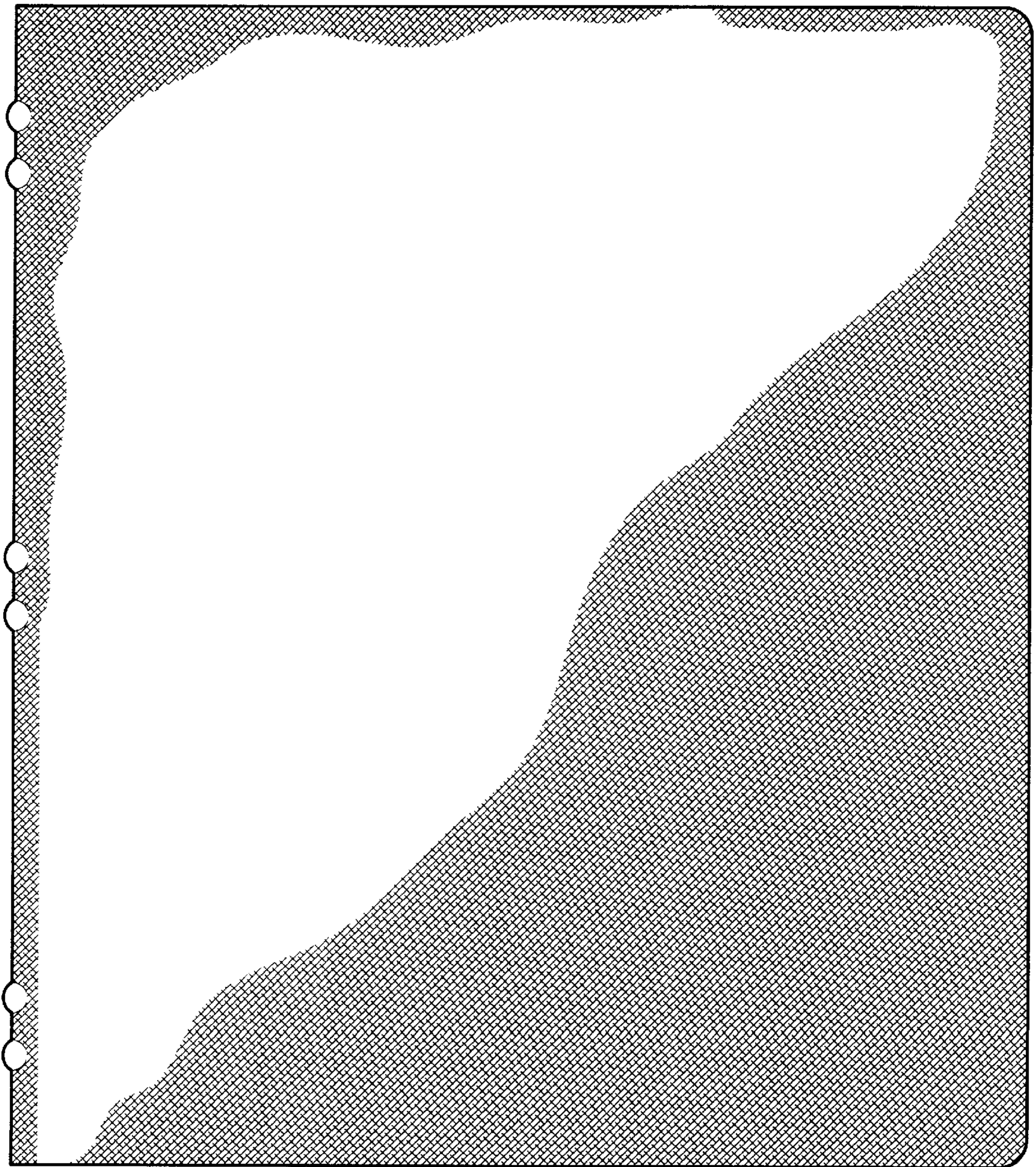


FIG. 5

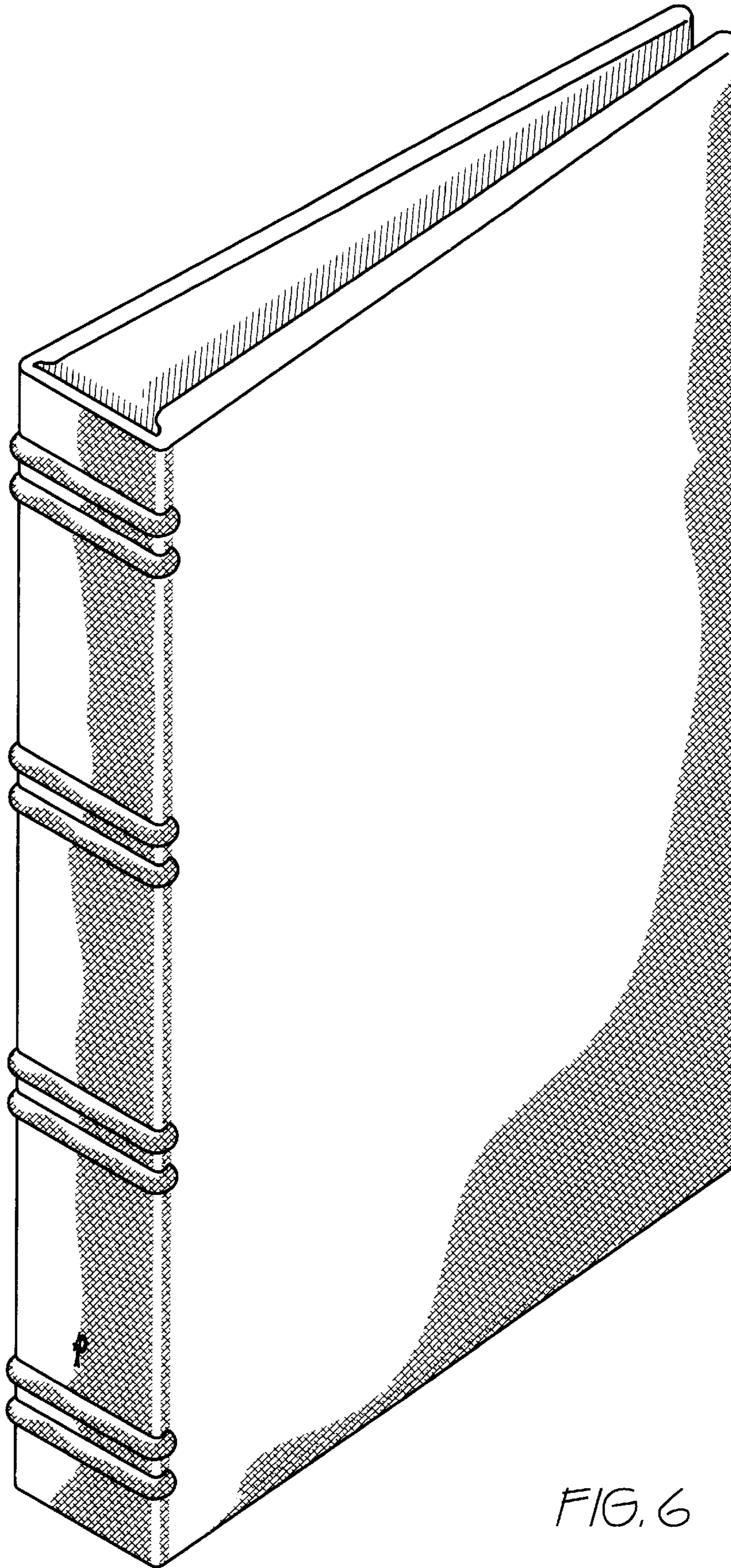


FIG. 6

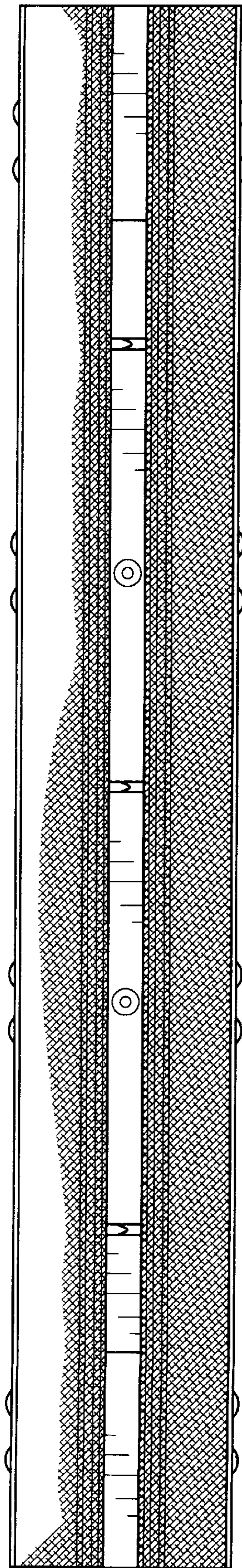


FIG. 7

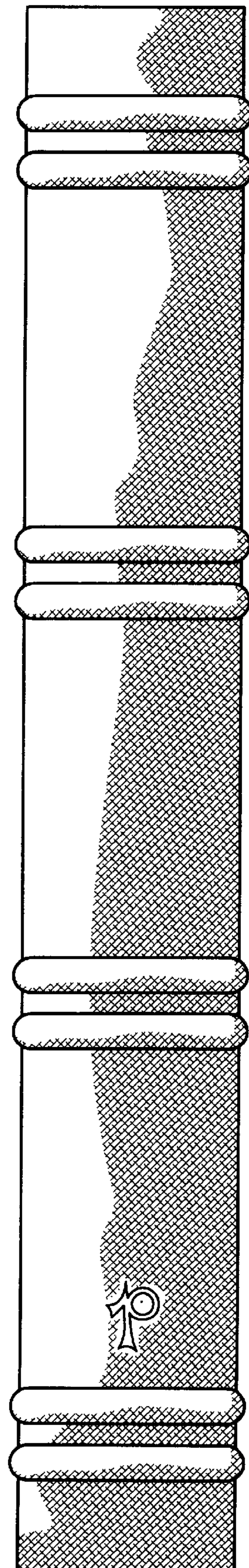


FIG. 8

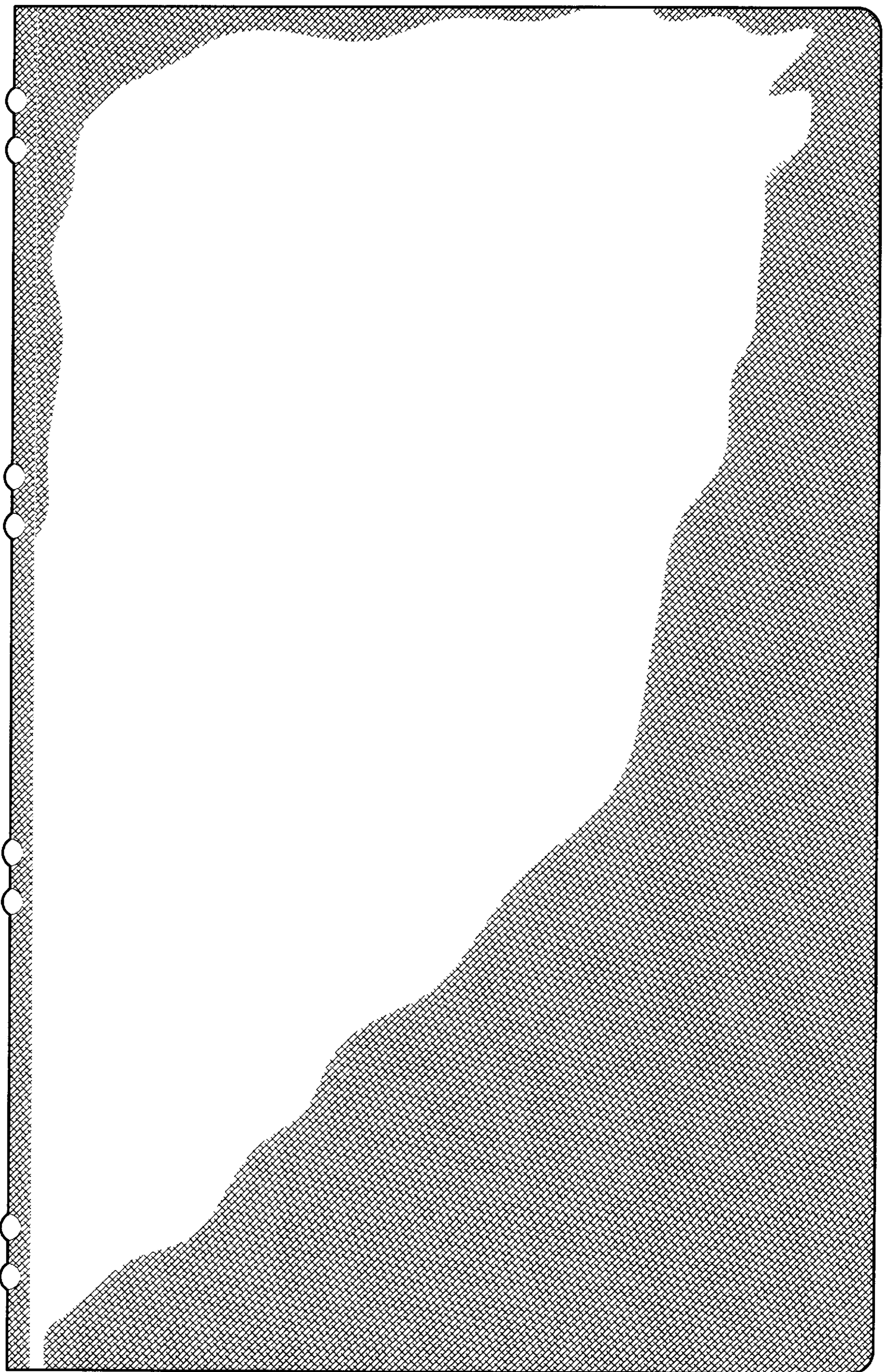


FIG. 9

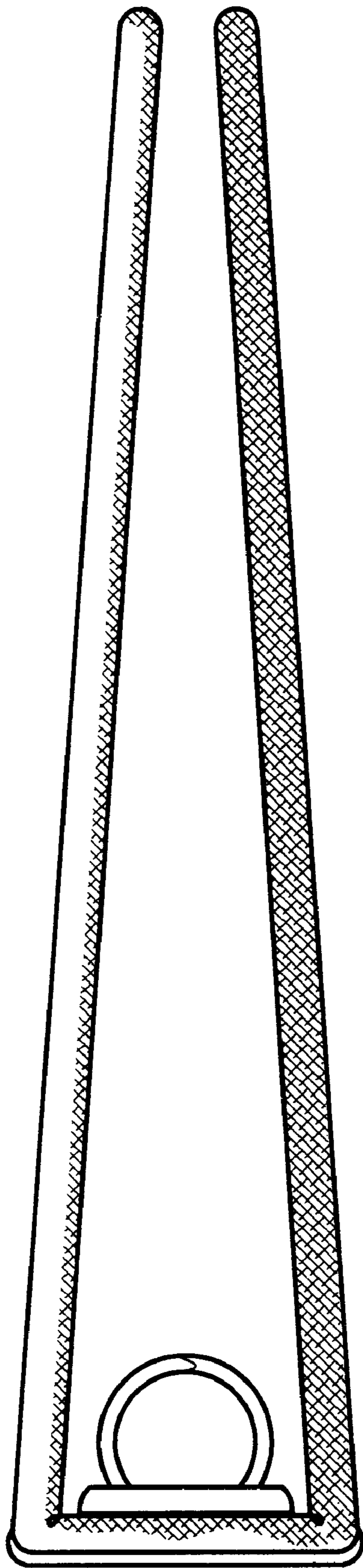


FIG. 10