



US00D425110S

# United States Patent [19]

Dietl et al.

[11] Patent Number: **Des. 425,110**

[45] Date of Patent: **\*\* May 16, 2000**

[54] **INK TANK**

[75] Inventors: **Steven J. Dietl**, Ontario; **Roger W. Ellender**, Webster; **Dennis M. Lengyel**, Hemlock, all of N.Y.

[73] Assignee: **Xerox Corporation**, Stamford, Conn.

[\*\*] Term: **14 Years**

[21] Appl. No.: **29/089,032**

[22] Filed: **Jun. 5, 1998**

[51] **LOC (7) Cl.** ..... **18-02**

[52] **U.S. Cl.** ..... **D18/56; 347/86**

[58] **Field of Search** ..... **D18/56, 38, 39; 347/86, 87**

[56] **References Cited**

**U.S. PATENT DOCUMENTS**

D. 321,900	11/1991	Kumagai	.....	D18/56
D. 355,928	2/1995	Tokuda et al.	.....	D18/56
D. 359,755	6/1995	Tokuda et al.	.....	D18/56

D. 361,591	8/1995	Tokuda et al.	.....	D18/56
D. 404,068	1/1999	Sekine et al.	.....	D18/56
5,541,631	7/1996	Hashimoto	.....	347/86
5,760,805	6/1998	Binnert et al.	.....	347/86
5,821,964	10/1998	Bidwell	.....	347/86
5,886,721	3/1999	Fujii et al.	.....	347/87

*Primary Examiner*—Cathy Anne MacCormac

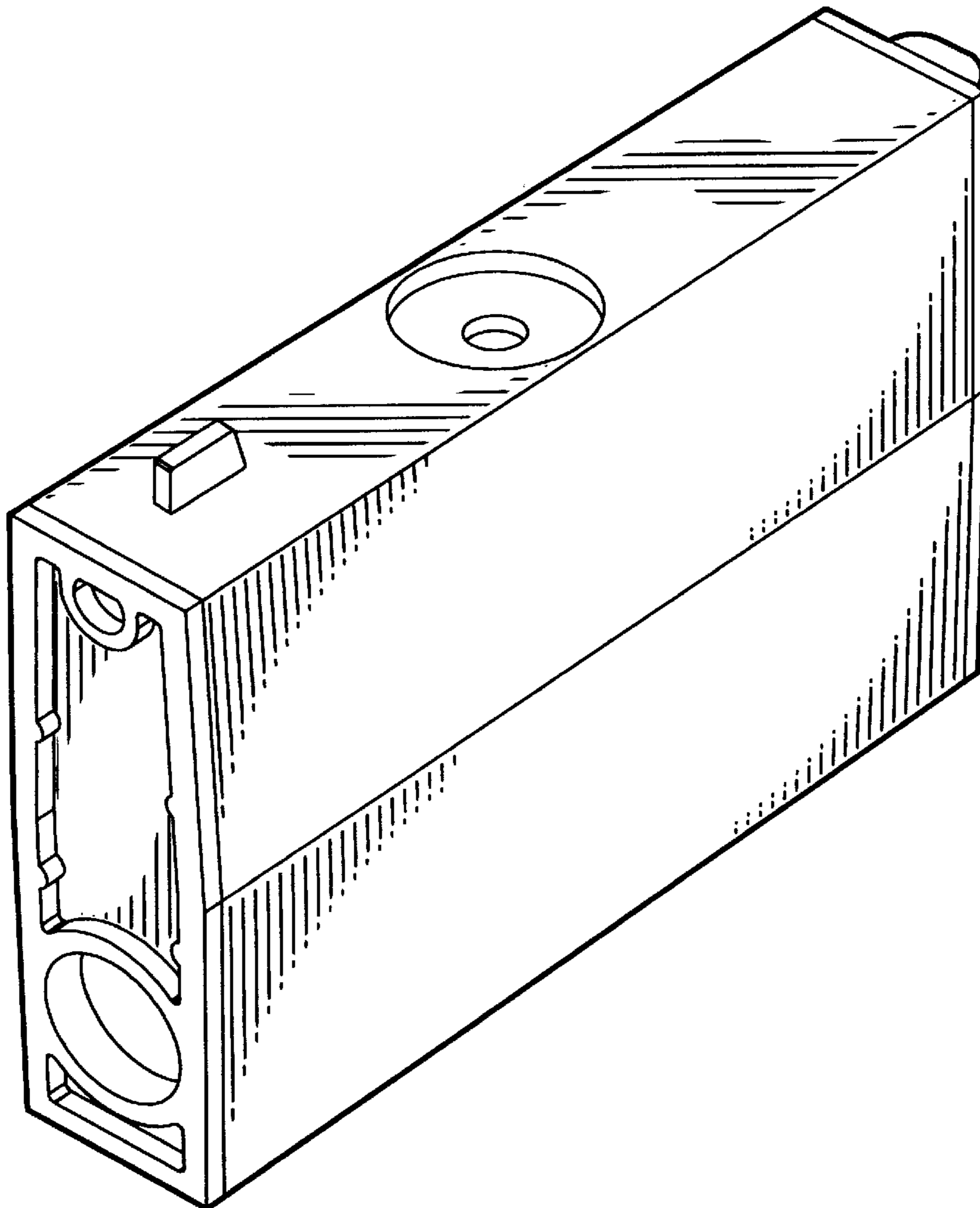
[57] **CLAIM**

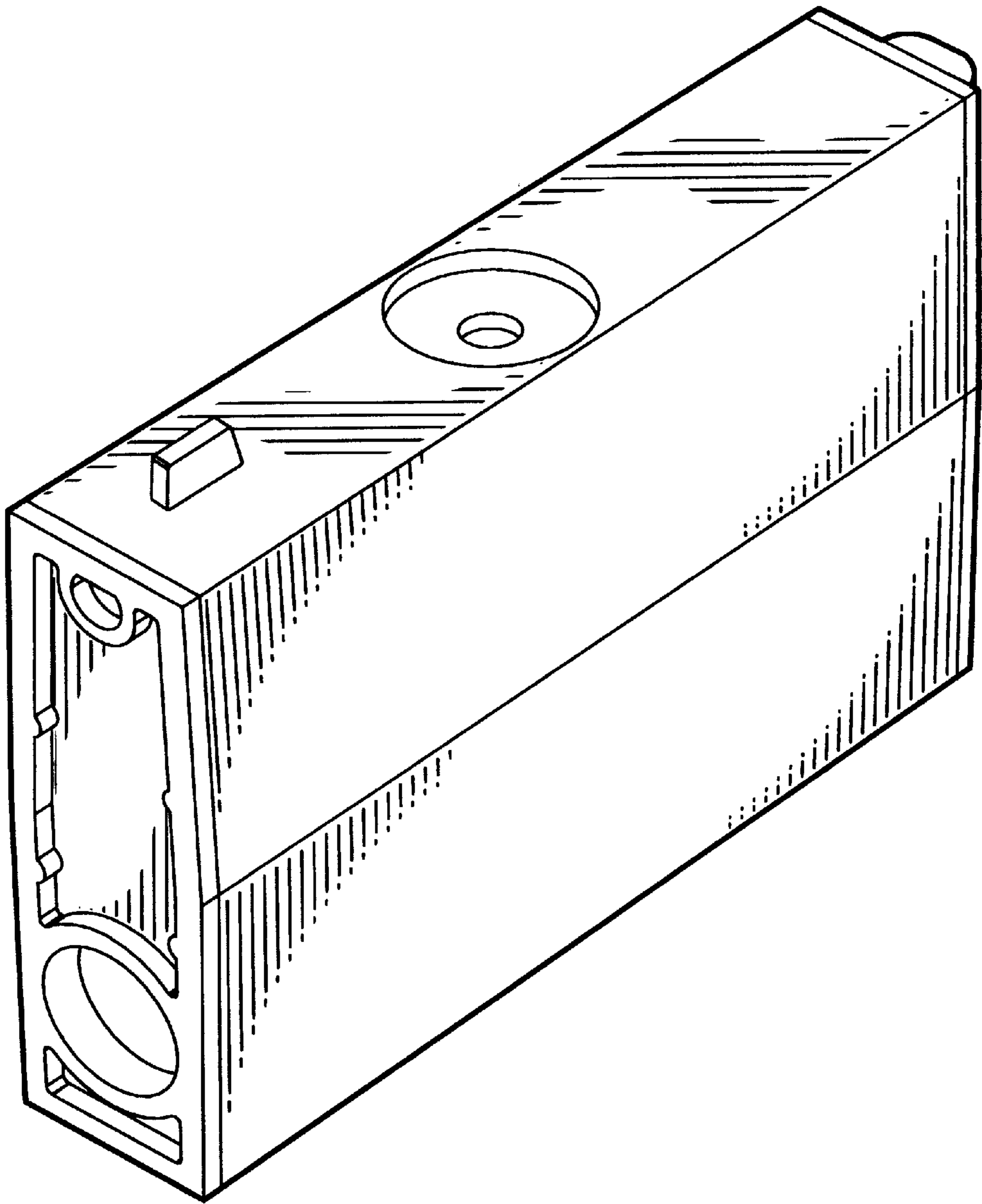
The ornamental design for an ink tank, as shown and described.

**DESCRIPTION**

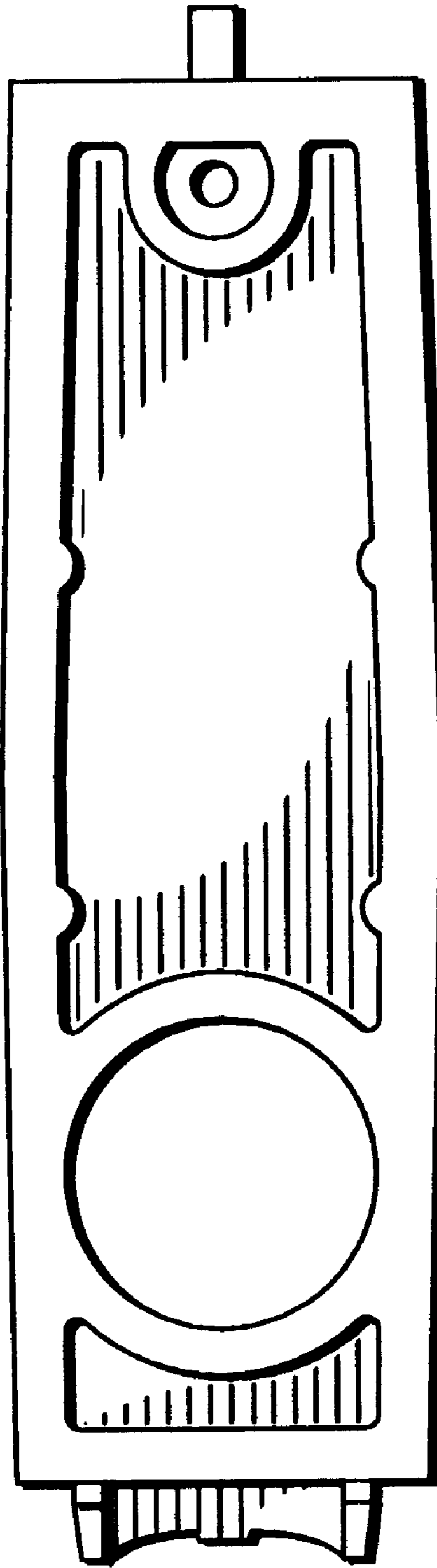
FIG. 1 is a perspective view of an ink tank showing our new design;  
FIG. 2 is a front elevational view thereof;  
FIG. 3 is a right side elevational view thereof;  
FIG. 4 is a rear elevational view thereof;  
FIG. 5 I a left side elevational view thereof;  
FIG. 6 is a top plan view thereof; and,  
FIG. 7 is a bottom plan view thereof.

**1 Claim, 7 Drawing Sheets**





**FIG. 1**



**FIG. 2**

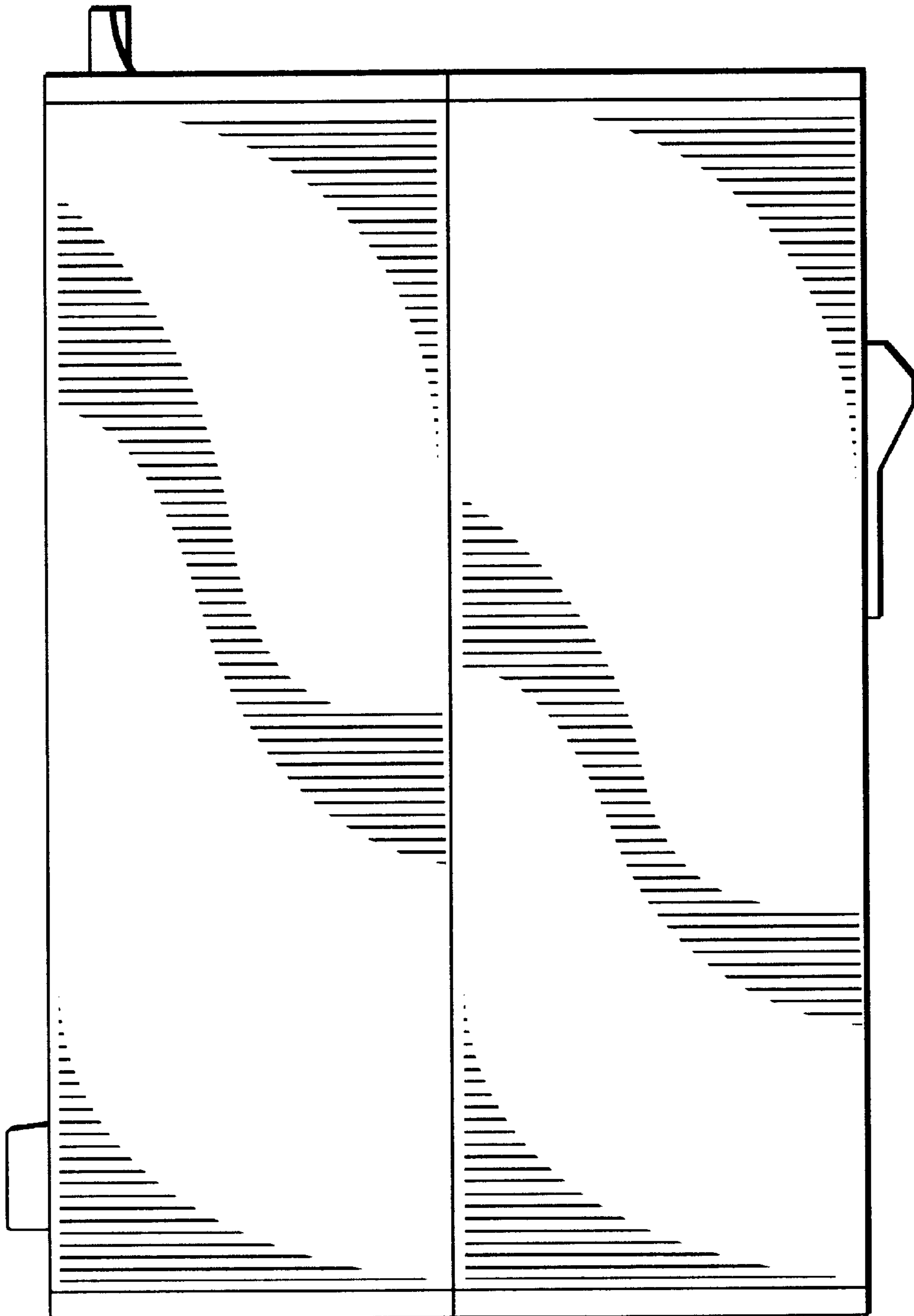
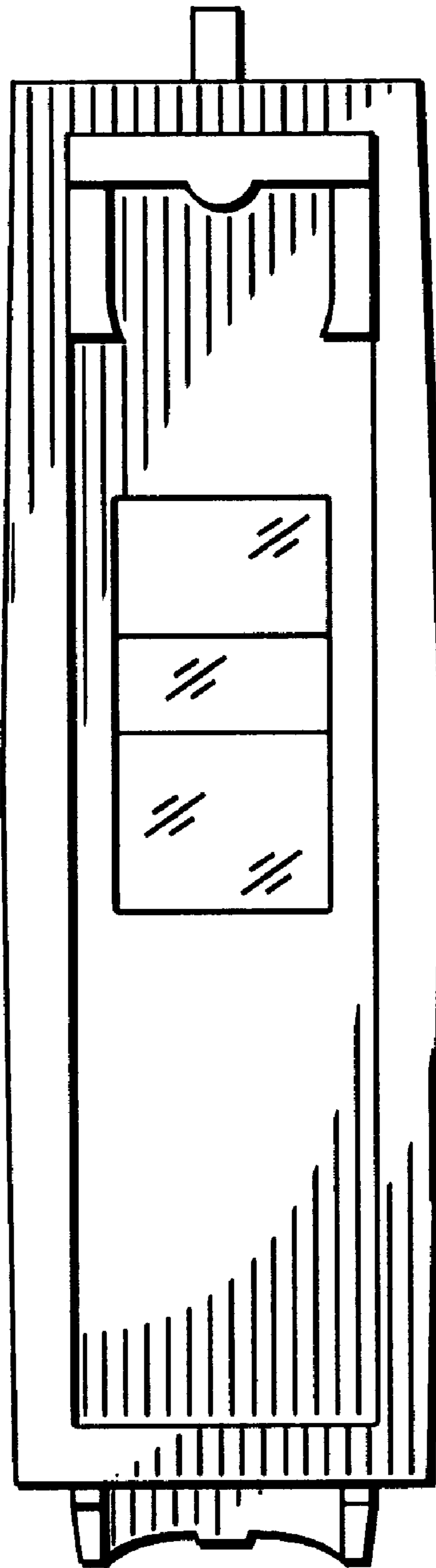


FIG. 3



**FIG. 4**

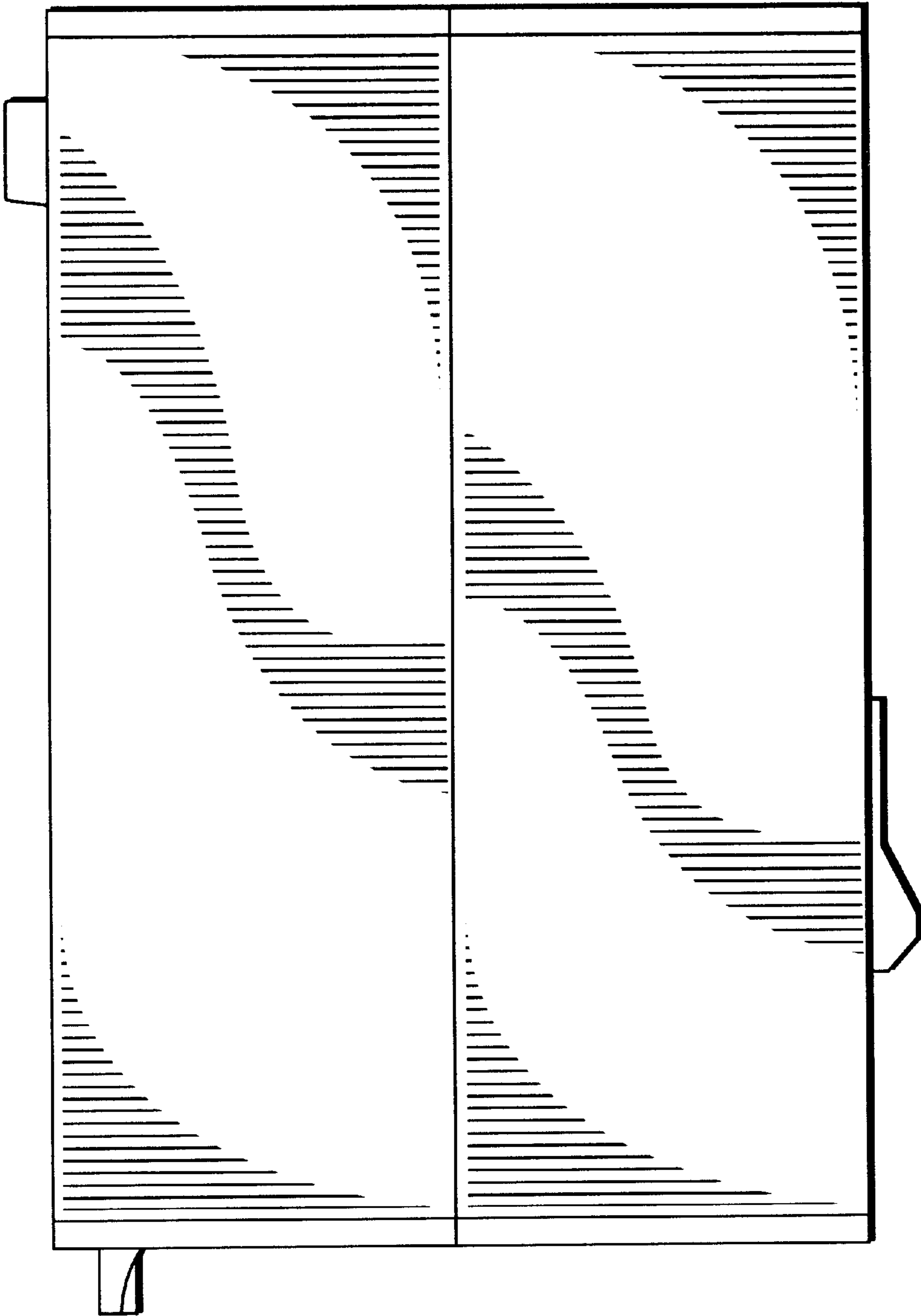


FIG. 5

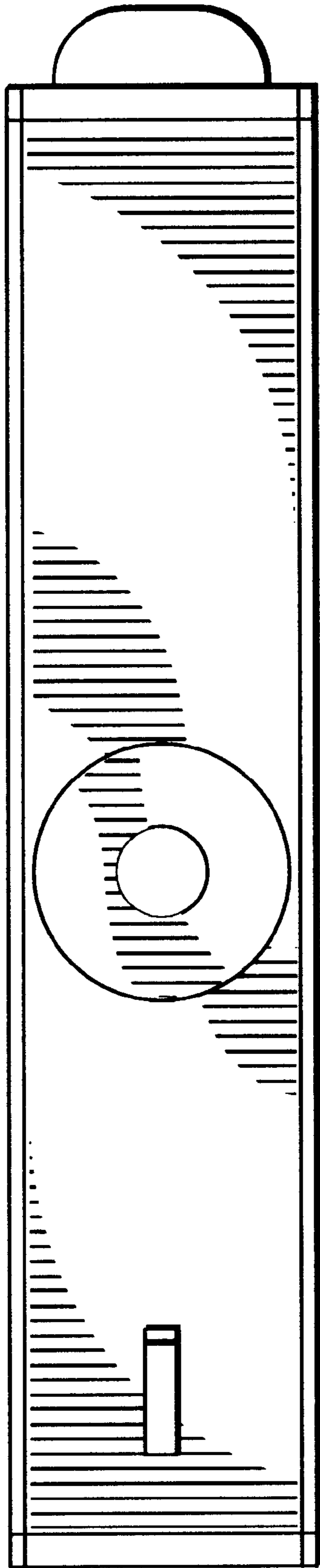


FIG. 6

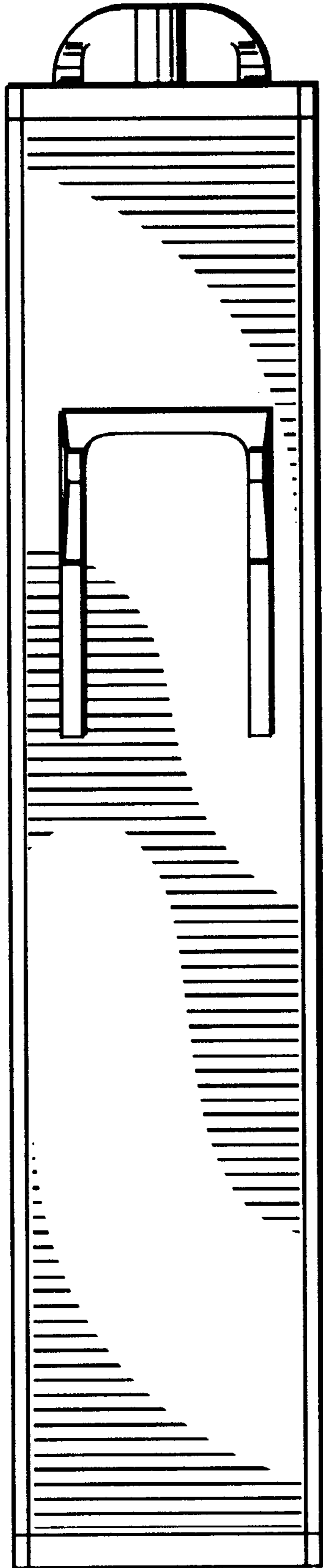


FIG. 7