



US00D425109S

United States Patent [19]

Brown et al.

[11] Patent Number: **Des. 425,109**

[45] Date of Patent: **** May 16, 2000**

[54] **USER INTERFACE FOR AN ELECTROSTATOGRAPHIC MACHINE**

D. 377,944 2/1997 Seki et al. D18/39
5,394,251 2/1995 Aikens 358/500

[75] Inventors: **Donald A. Brown**, Honeoye Falls;
Kenneth J. Rieck, Victor; **William T. Clark, III**, Pittsford, all of N.Y.

Primary Examiner—Caron D. Veynar

[73] Assignee: **Xerox Corporation**, Stamford, Conn.

[57] **CLAIM**

[**] Term: **14 Years**

The ornamental design for a user interface for an electrostatographic machine, as shown and described.

[21] Appl. No.: **29/107,185**

DESCRIPTION

[22] Filed: **Jun. 29, 1999**

[51] **LOC (7) Cl.** **16-03**

[52] **U.S. Cl.** **D18/41**

[58] **Field of Search** D18/36-39, 40,
D18/41; 399/81

FIG. 1 is a perspective view of a user interface for an electrostatographic machine showing the new design; FIG. 2 is a frontal view thereof; FIG. 3 is left side view thereof; FIG. 4 is a back view thereof; FIG. 5 is right side view thereof; and, FIG. 6 is a top plan view thereof.

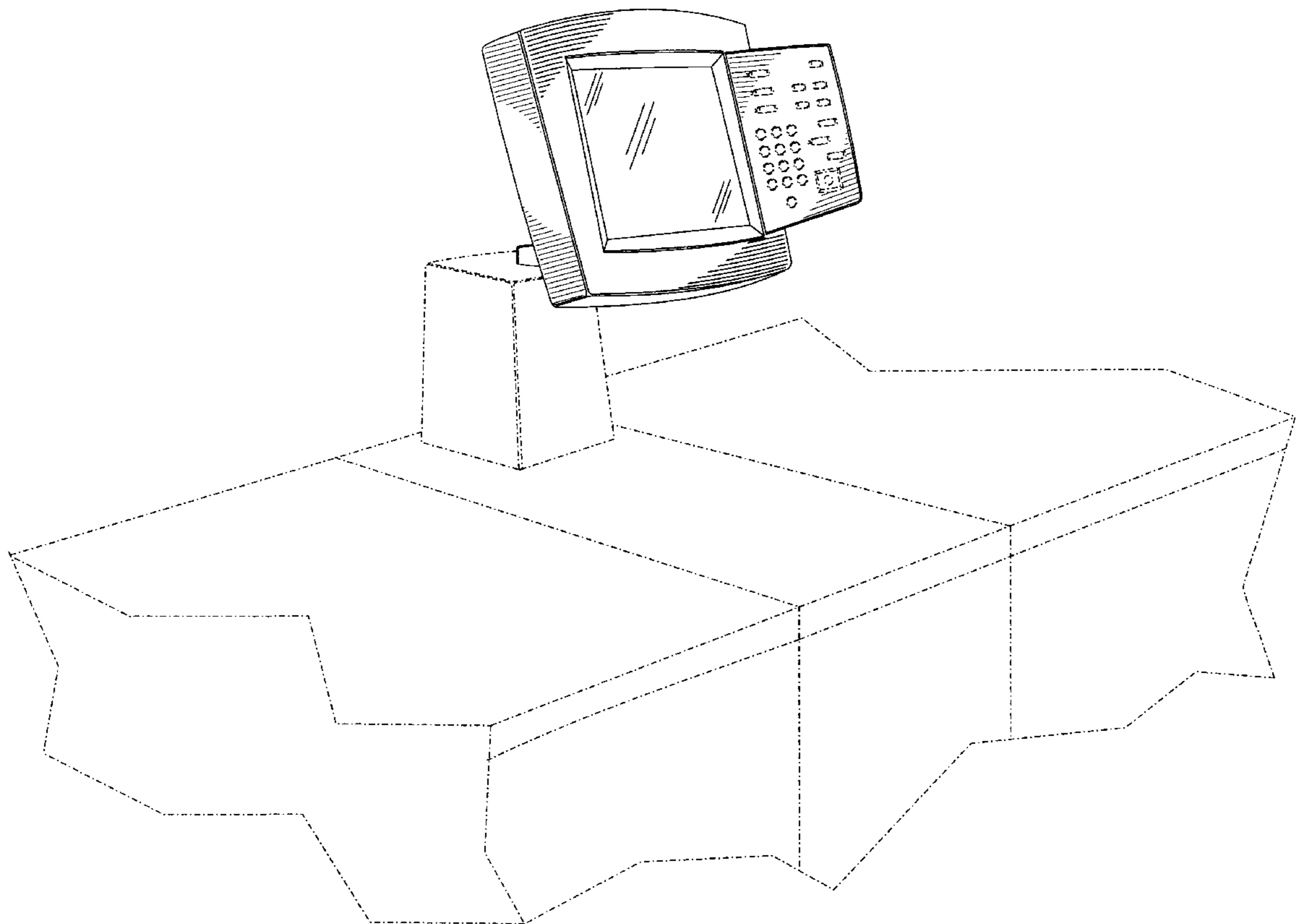
The broken line showings in FIGS. 1-6 is for illustrative purposes only and forms no part of the claimed design.

[56] **References Cited**

U.S. PATENT DOCUMENTS

D. 334,400 3/1993 Penke et al. D18/39

1 Claim, 6 Drawing Sheets



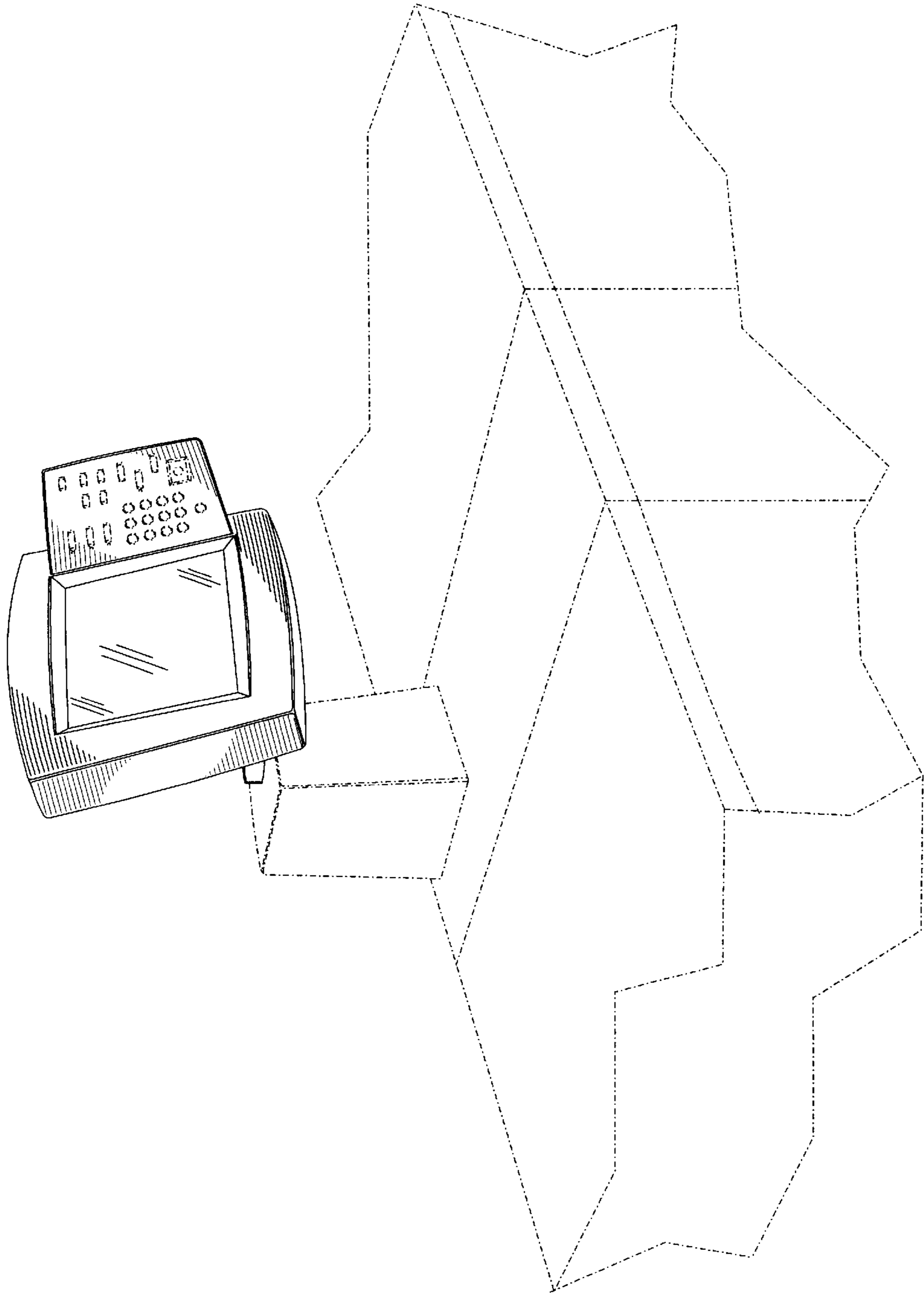


FIG. 1

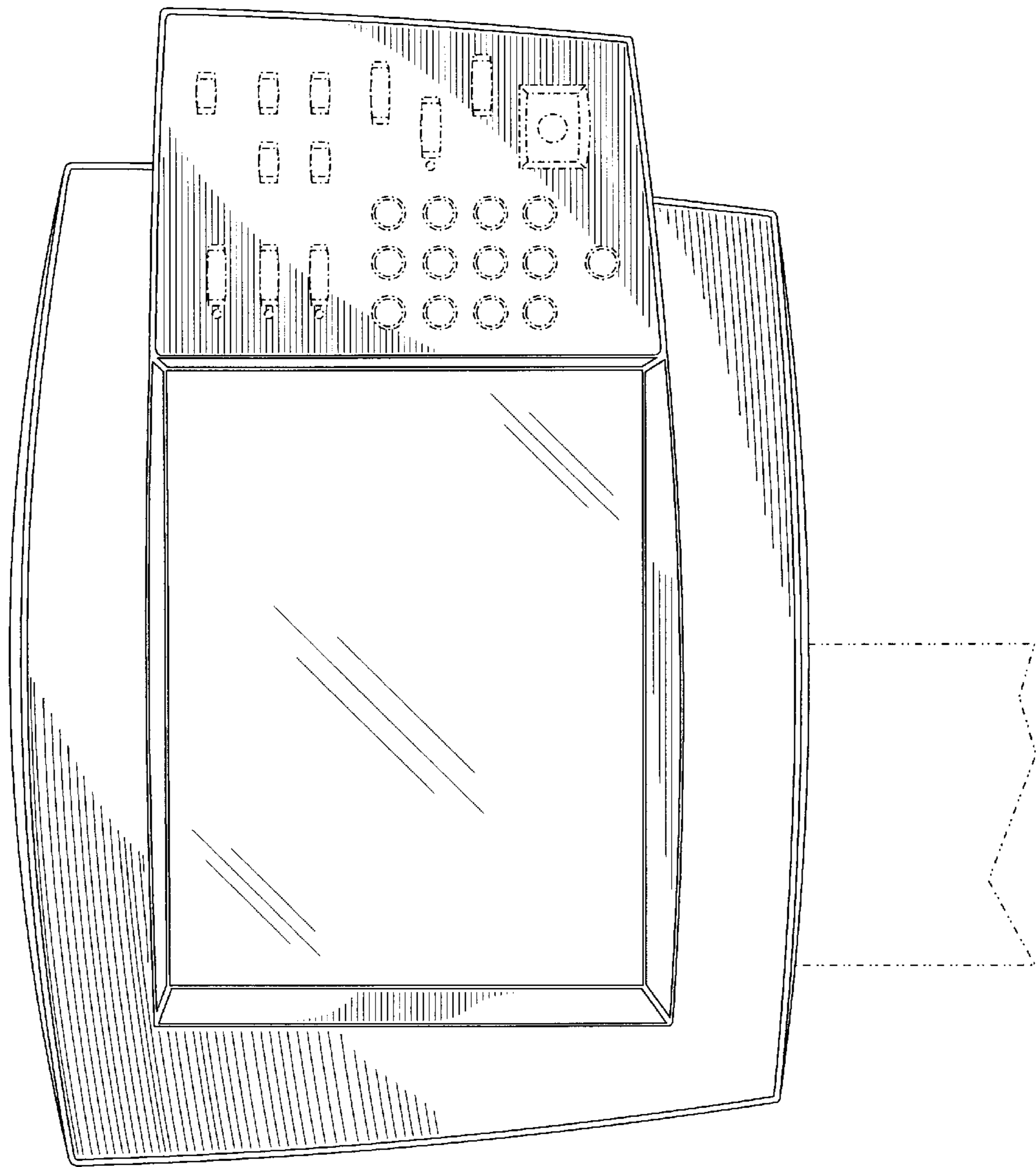


FIG. 2

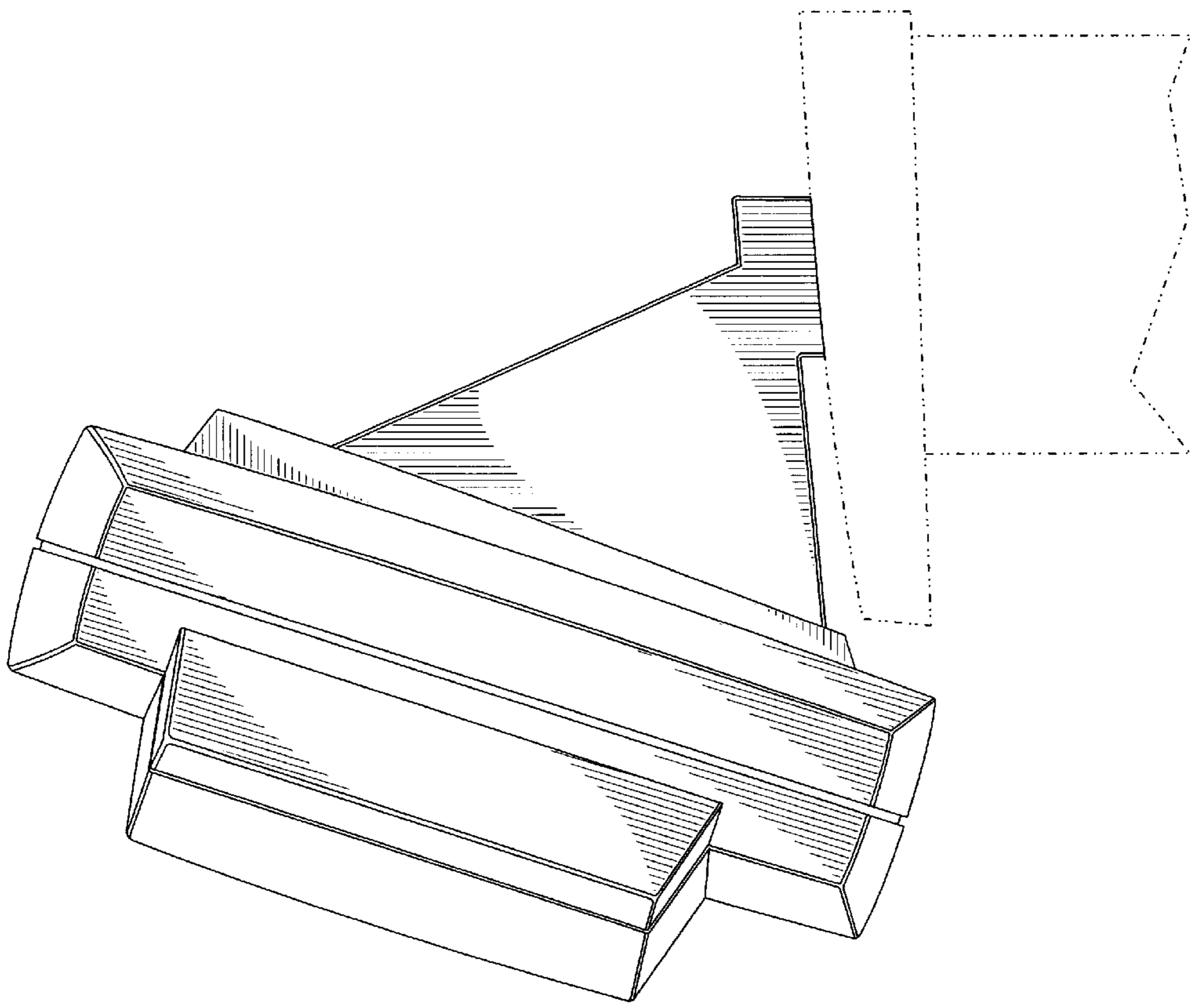


FIG. 3

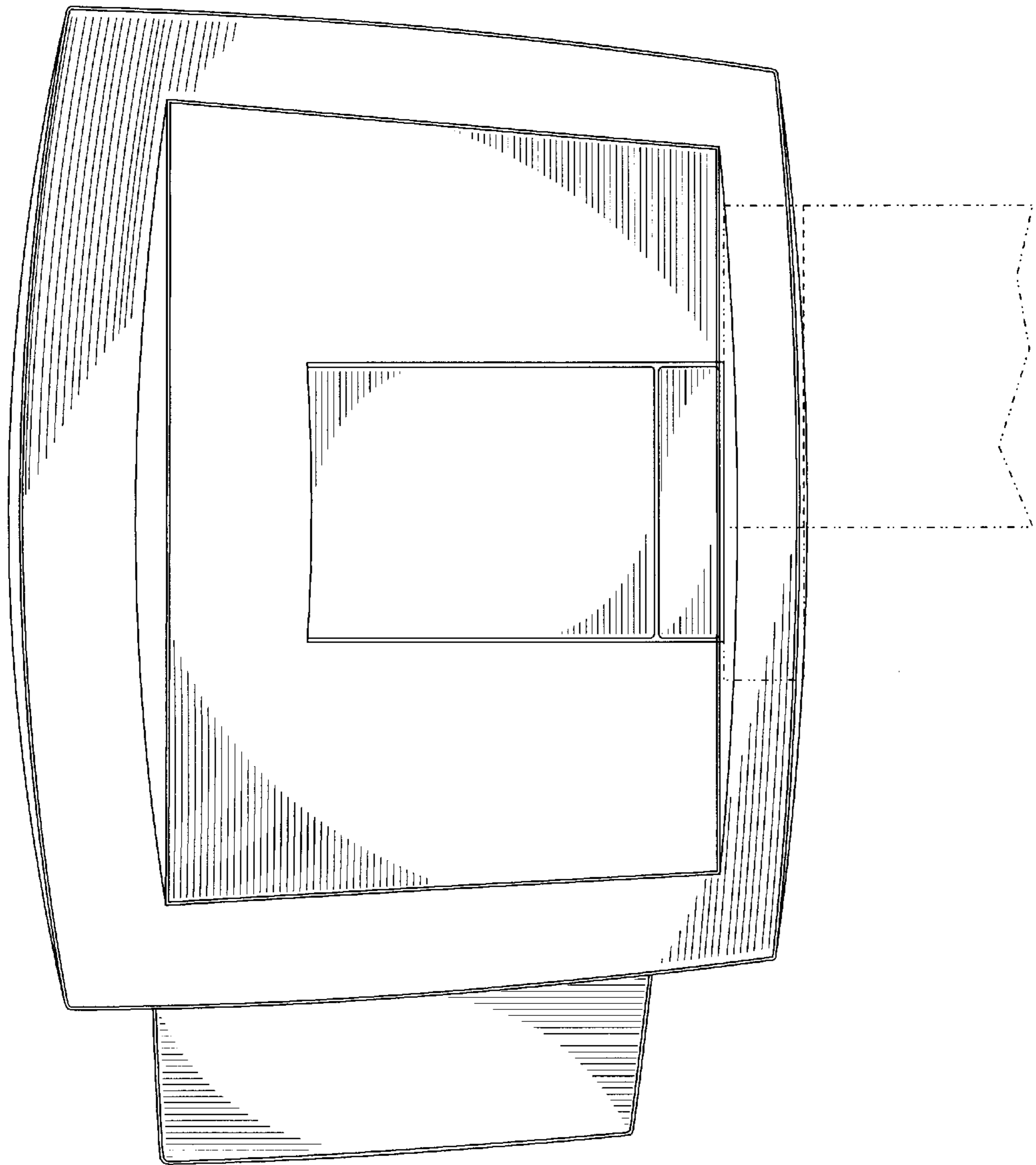


FIG. 4

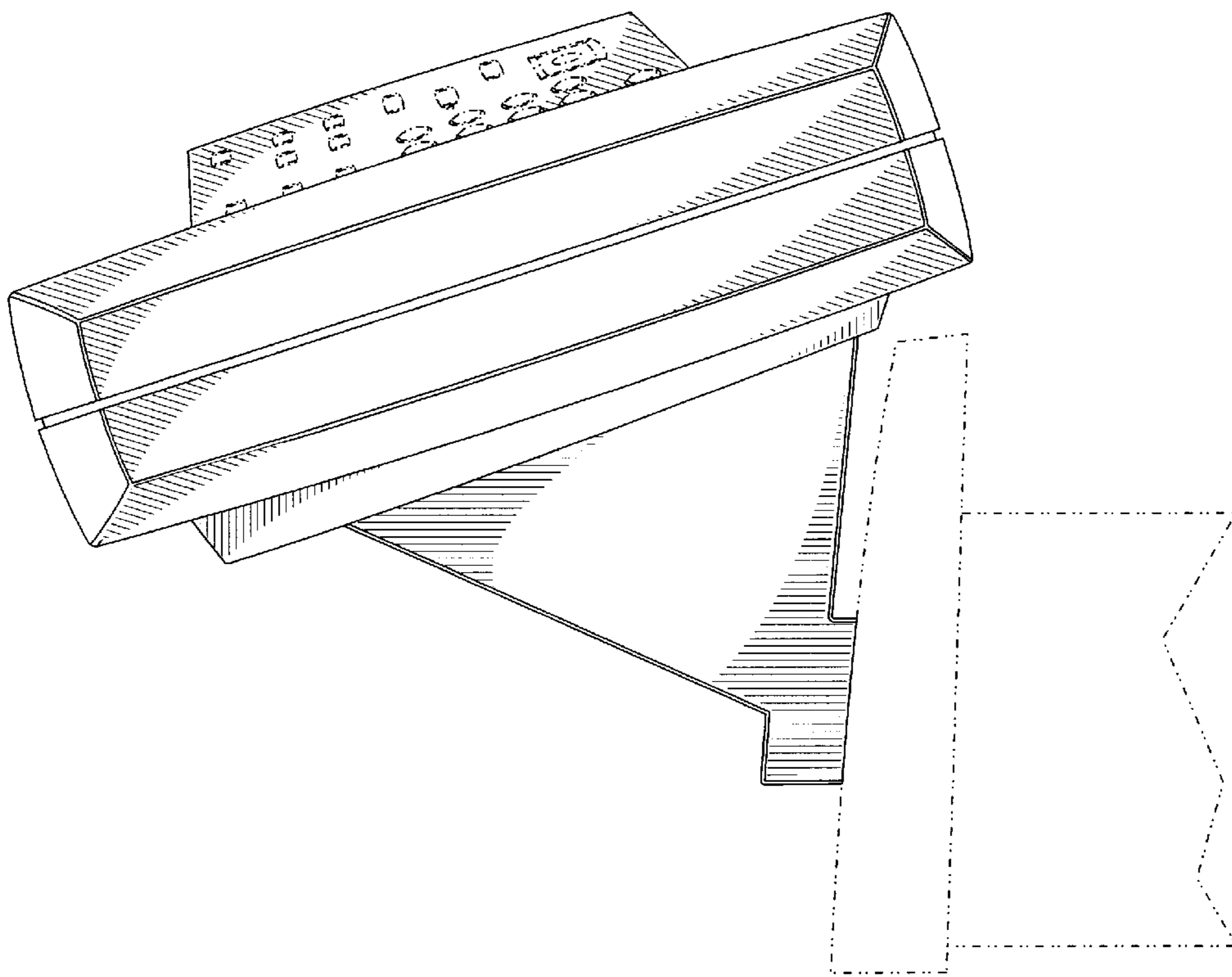


FIG. 5

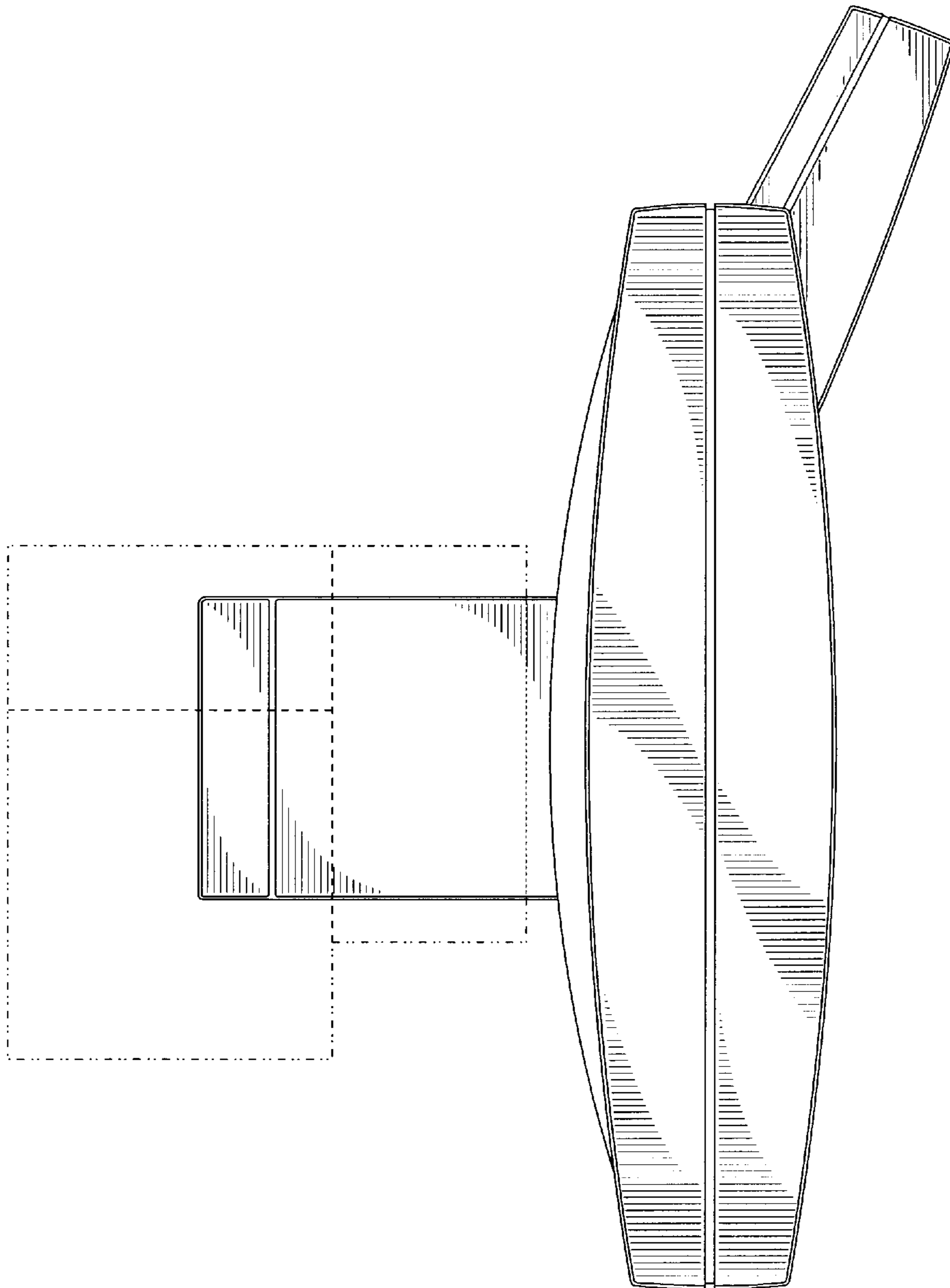


FIG. 6