



US00D425108S

# United States Patent [19]

Kabumoto et al.

[11] Patent Number: **Des. 425,108**

[45] Date of Patent: **\*\* May 16, 2000**

[54] **ELECTRONIC COPYING MACHINE**

[75] Inventors: **Masaaki Kabumoto**, Chiba; **Kazuyoshi Yamada**, Kanagawa; **Yoshihisa Minakawa**, Tokyo; **Taijiroh Sueishi**; **Goroh Katsuyama**, both of Kanagawa, all of Japan

[73] Assignee: **Ricoh Company, Ltd.**, Tokyo, Japan

[\*\*] Term: **14 Years**

[21] Appl. No.: **29/106,448**

[22] Filed: **Jun. 17, 1999**

[30] **Foreign Application Priority Data**

Dec. 18, 1998 [JP] Japan ..... 10-36773

[51] **LOC (7) Cl.** ..... **16-03**

[52] **U.S. Cl.** ..... **D18/38**

[58] **Field of Search** ..... D18/36-39; 399/1-7, 399/82, 124

[56] **References Cited**

**U.S. PATENT DOCUMENTS**

D. 263,289 3/1982 Onoue et al. .... D18/38

D. 268,345	3/1983	Robertson	.....	D18/38
D. 275,762	10/1984	Olson	.....	D18/38
D. 275,763	10/1984	Olson	.....	D18/38
D. 275,764	10/1984	Olson	.....	D18/38
D. 312,267	11/1990	Biggs et al.	.....	D18/39
D. 358,411	5/1995	Minakawa et al.	.....	D18/39
5,038,169	8/1991	Marincic et al.	.....	399/124
5,049,929	9/1991	Anderson et al.	.....	399/82

*Primary Examiner*—Caron D. Veynar  
*Attorney, Agent, or Firm*—Dickstein Shapiro Morin & Oshinsky LLP

[57] **CLAIM**

The ornamental design for the electronic copying machine, as shown and described.

**DESCRIPTION**

FIG. 1 is a top, front and left side perspective view of an electronic copying machine showing our new design; FIG. 2 is a front elevation view thereof; FIG. 3 is a rear elevation view thereof; FIG. 4 is a top elevation view thereof; FIG. 5 is a bottom elevation view thereof; FIG. 6 is a left side elevation view thereof; and, FIG. 7 is a right side elevation view thereof.

**1 Claim, 3 Drawing Sheets**

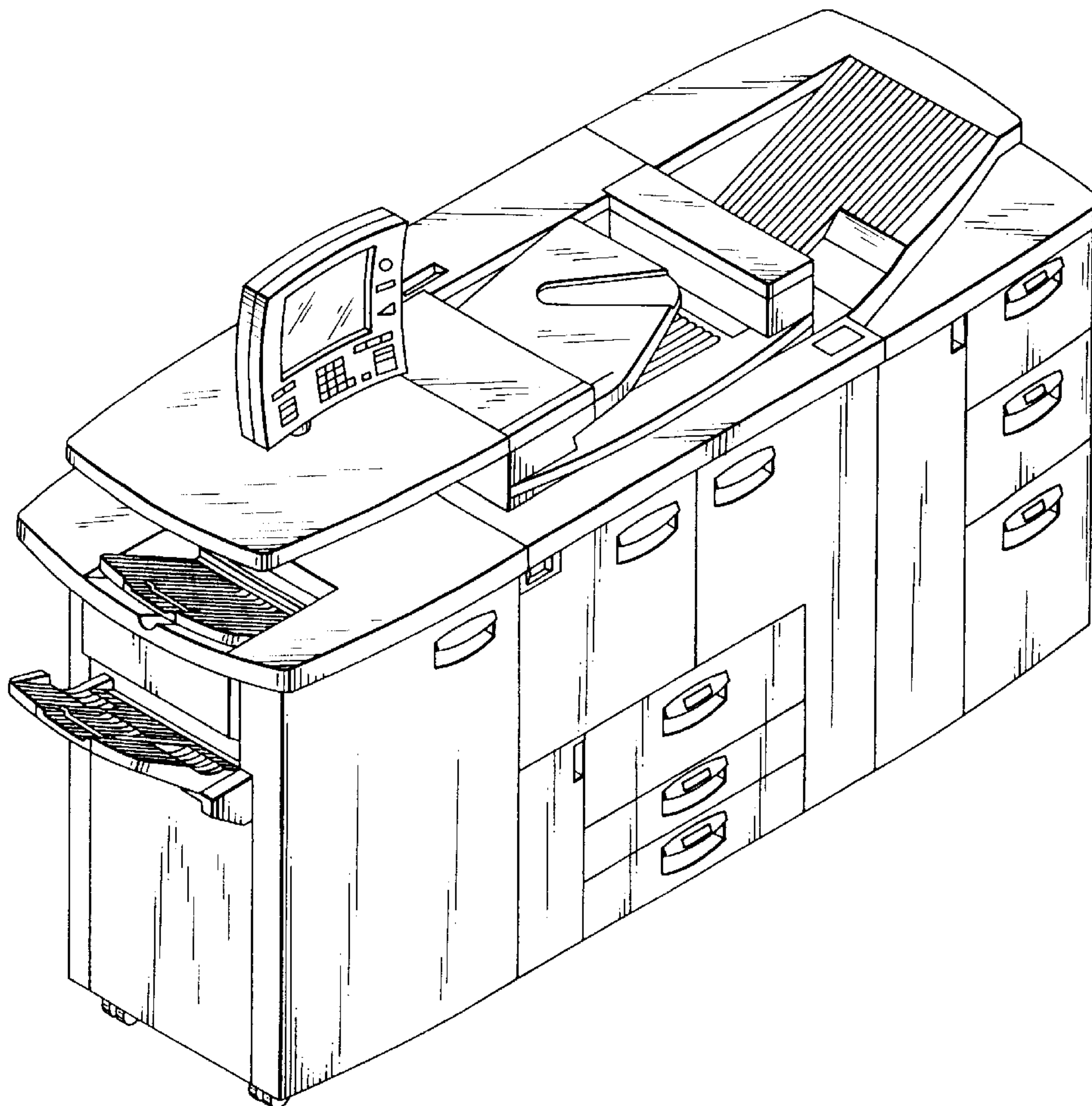


FIG. 1

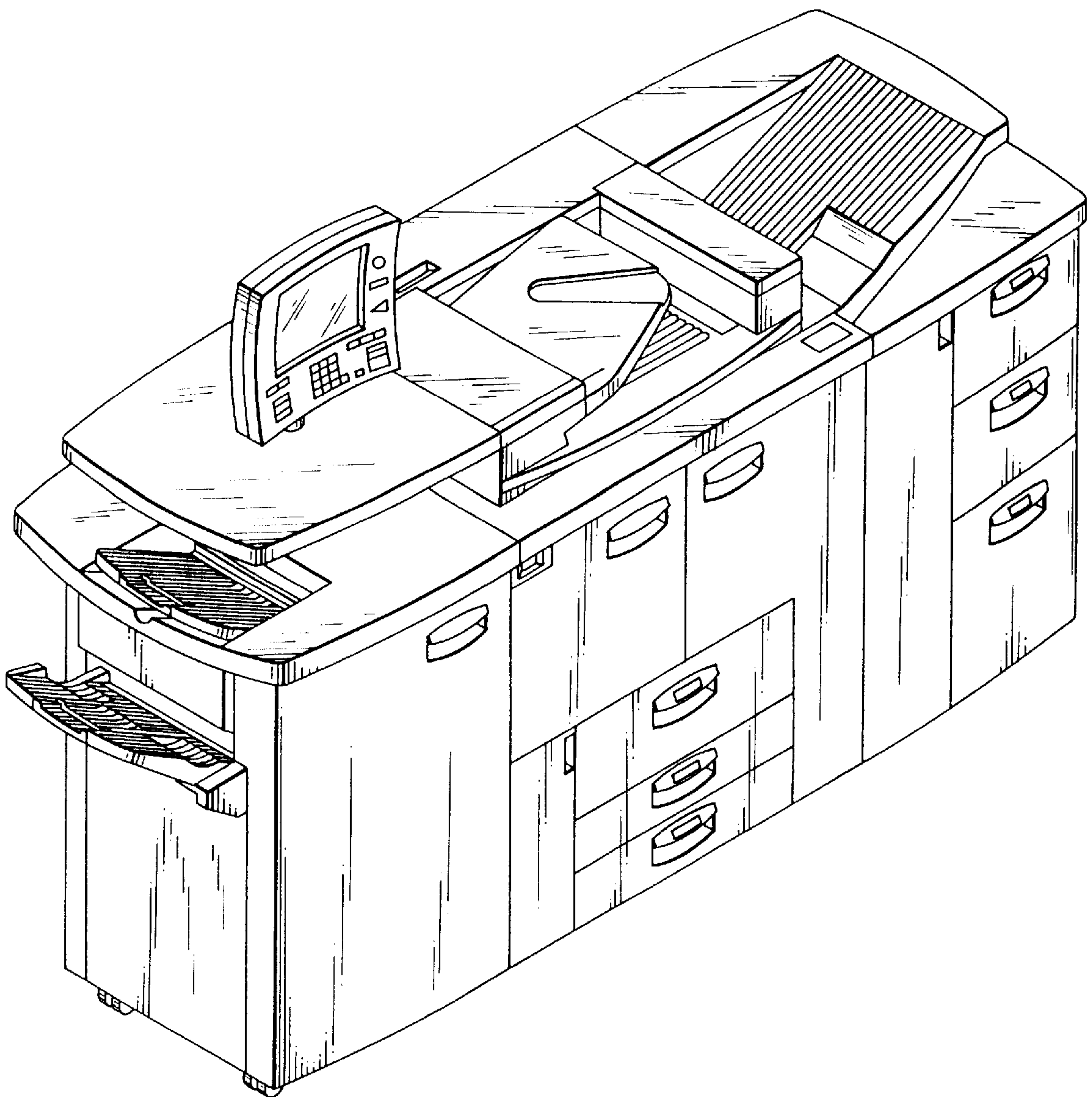


FIG. 2

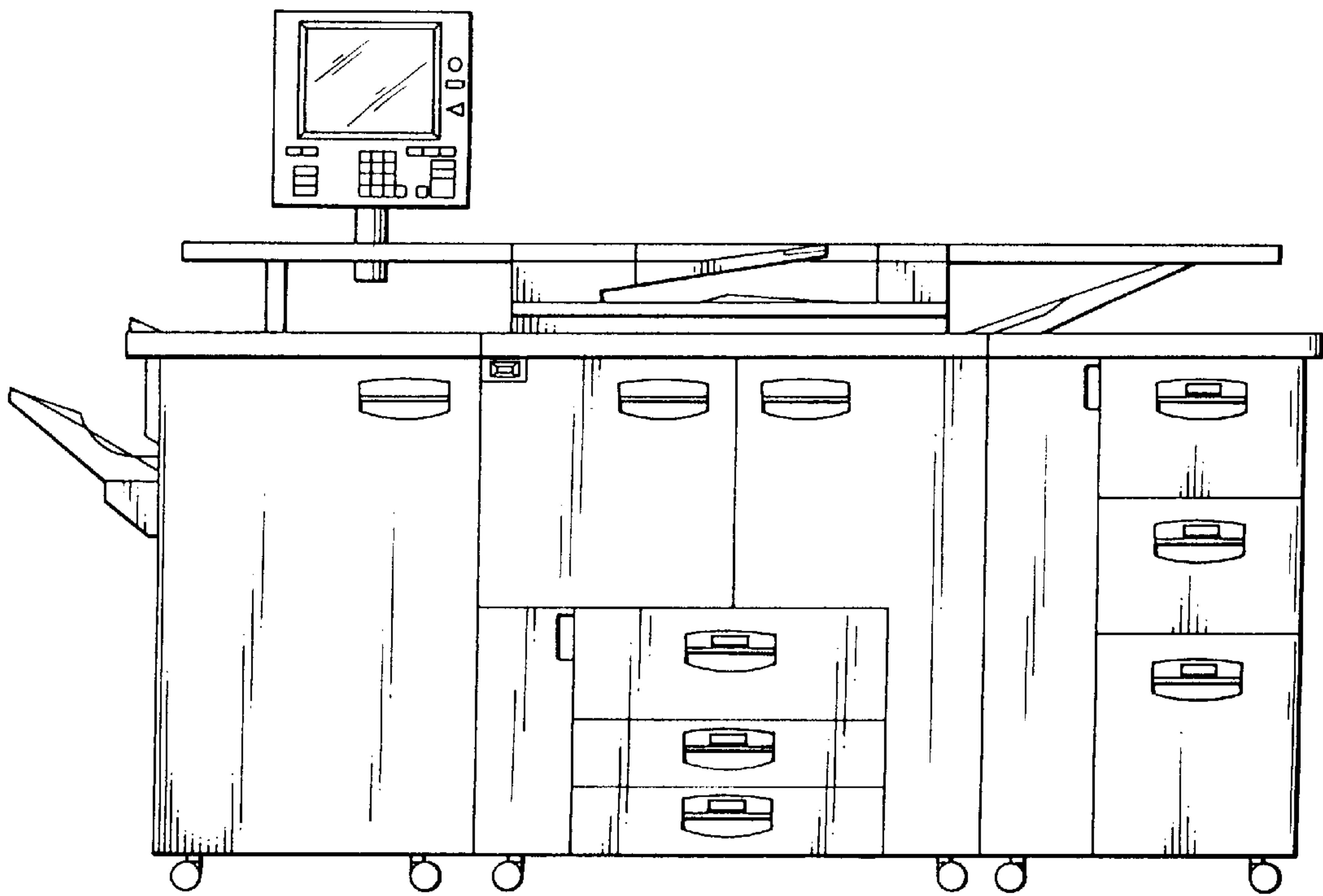


FIG. 3

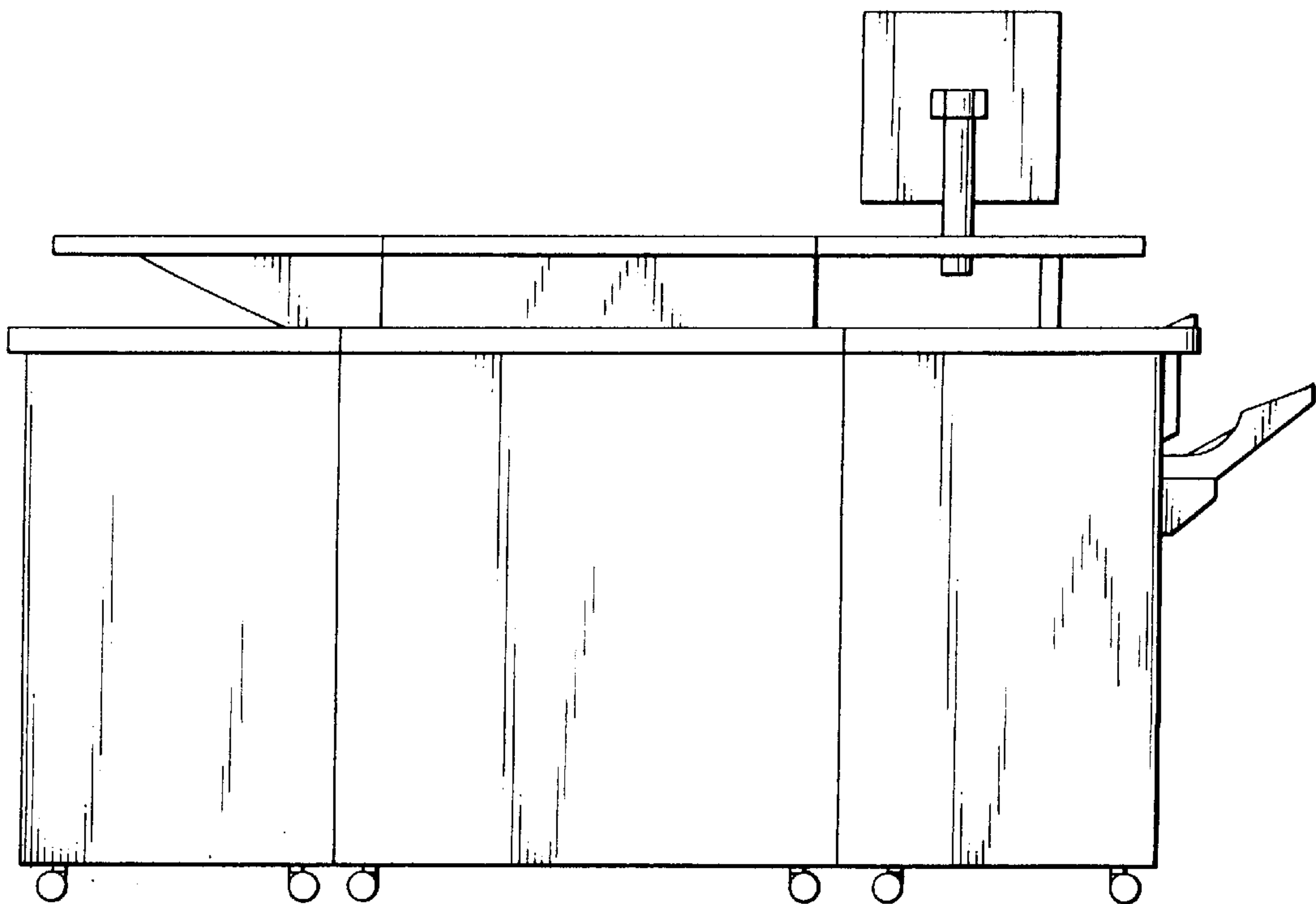


FIG. 4

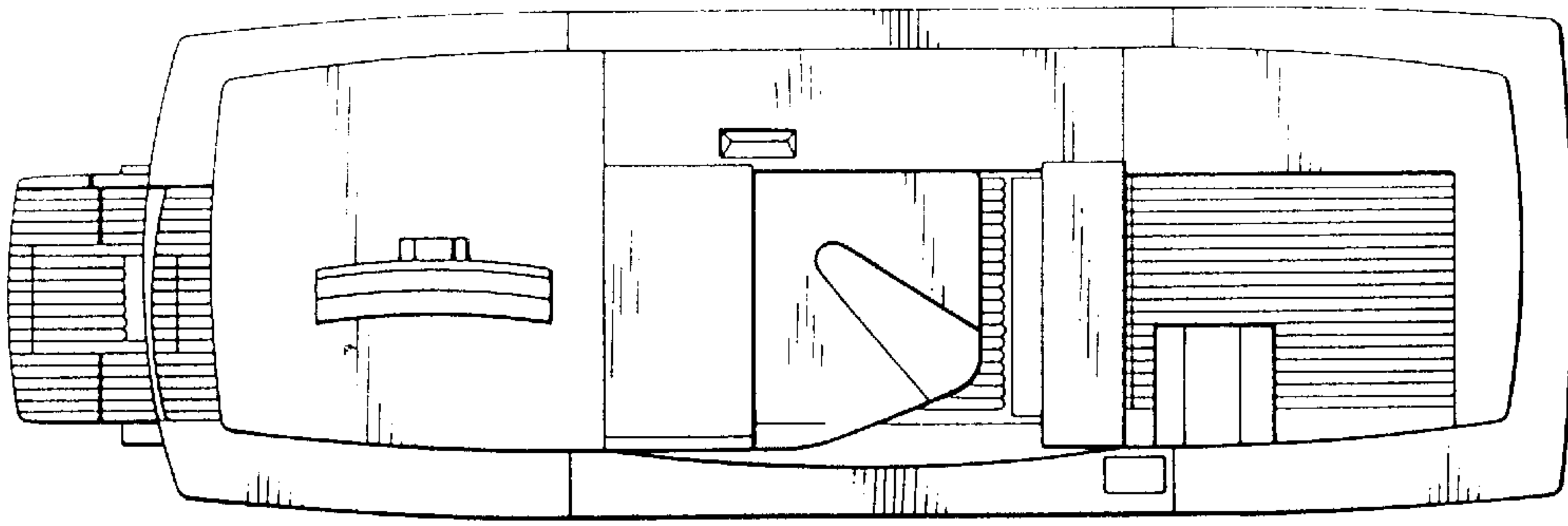


FIG. 5

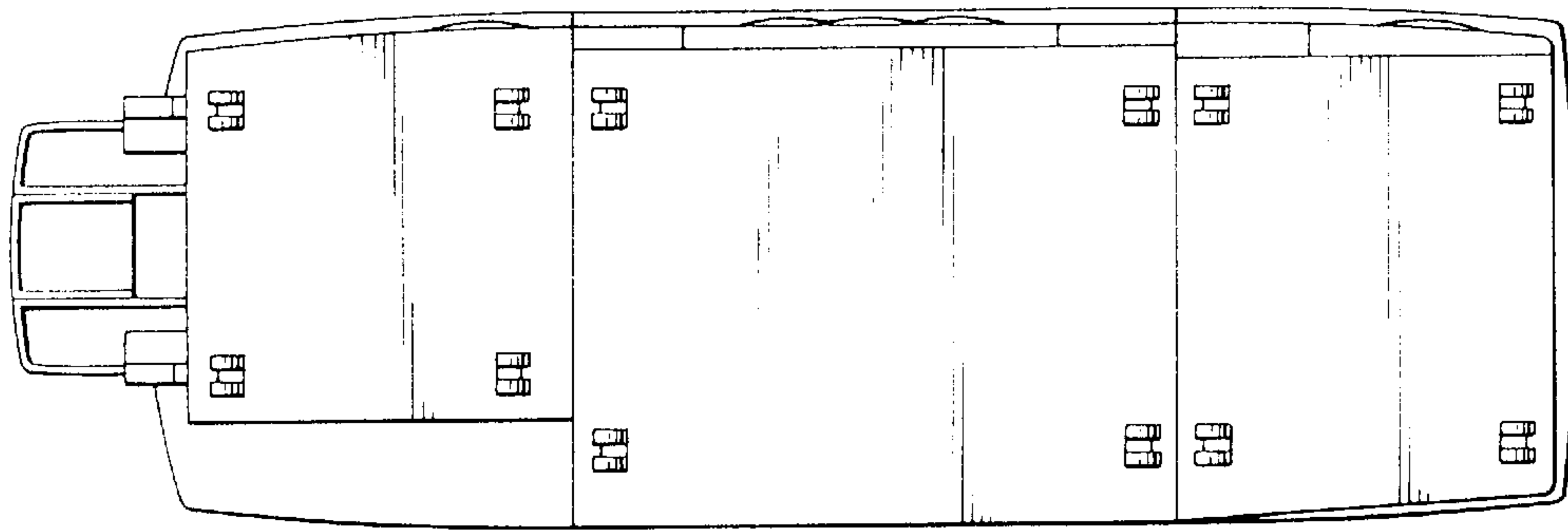


FIG. 6

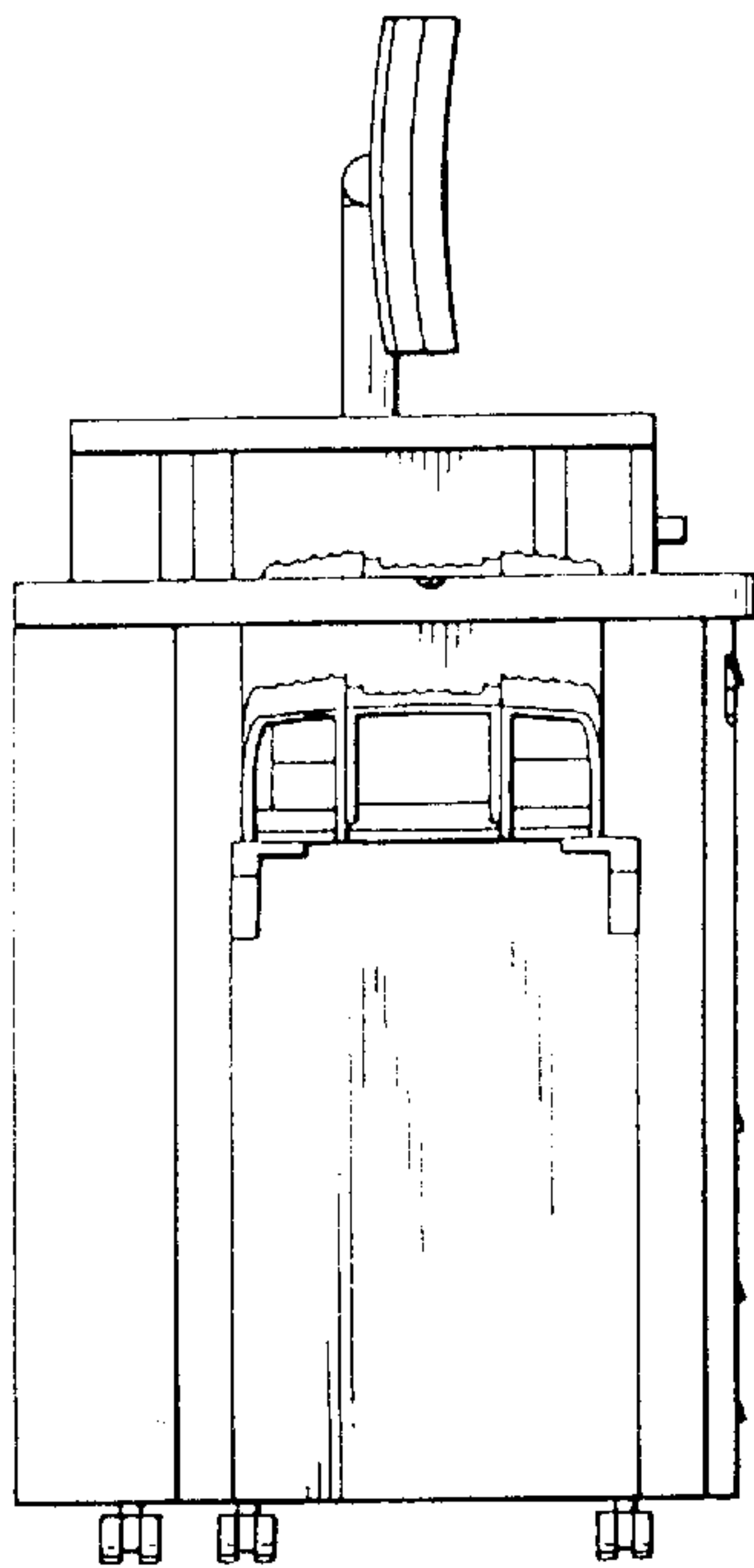


FIG. 7

