



US00D425107S

United States Patent [19] Haynes

[11] Patent Number: **Des. 425,107**

[45] Date of Patent: **** *May 16, 2000**

[54] **TREMOLO ACTUATOR**

4,967,631 11/1990 Rose 84/313
5,551,329 9/1996 Iovane 84/313

[76] Inventor: **Mike Haynes**, 101 O'Rourke St., Platt City, Mo. 64079

OTHER PUBLICATIONS

Music Trades Jun. 1987p. 82 (Kohler's tremolos).

[*] Notice: This patent is subject to a terminal disclaimer.

Primary Examiner—Philip S. Hyder
Assistant Examiner—Adir Aronovich
Attorney, Agent, or Firm—Harold H. Dutton, Jr.

[**] Term: **14 Years**

[57] CLAIM

[21] Appl. No.: **29/053,046**

The ornamental design for a tremolo actuator, as shown.

[22] Filed: **Apr. 12, 1996**

DESCRIPTION

[51] **LOC (7) Cl.** **17-03**

[52] **U.S. Cl.** **D17/21**; 84/313

[58] **Field of Search** D17/14, 20, 21;
84/298, 299, 312 R, 313, 314 N, 267

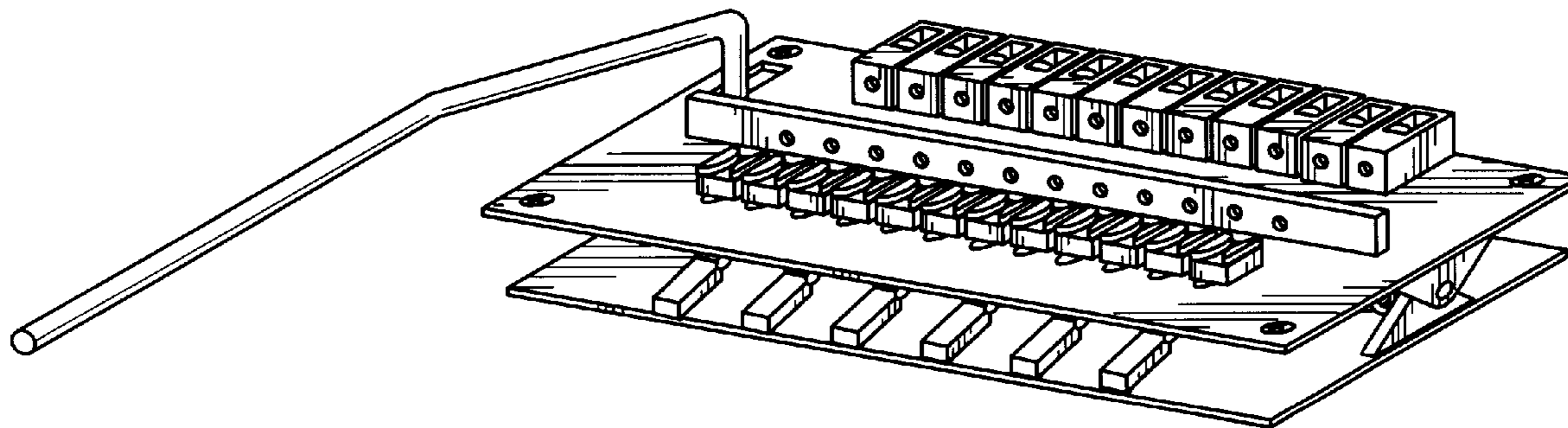
FIG. 1 is a perspective view of a tremolo actuator showing my new design;
FIG. 2 is a top view thereof;
FIG. 3 is a bottom view thereof;
FIG. 4 is a front view thereof;
FIG. 5 is a rear view thereof;
FIG. 6 is a right side view thereof; and,
FIG. 7 is a left side view thereof.

[56] References Cited

U.S. PATENT DOCUMENTS

D. 256,132 7/1980 Wilson D17/21
D. 262,292 12/1981 Carson D17/21
4,632,005 12/1986 Steinberger 84/298

1 Claim, 4 Drawing Sheets



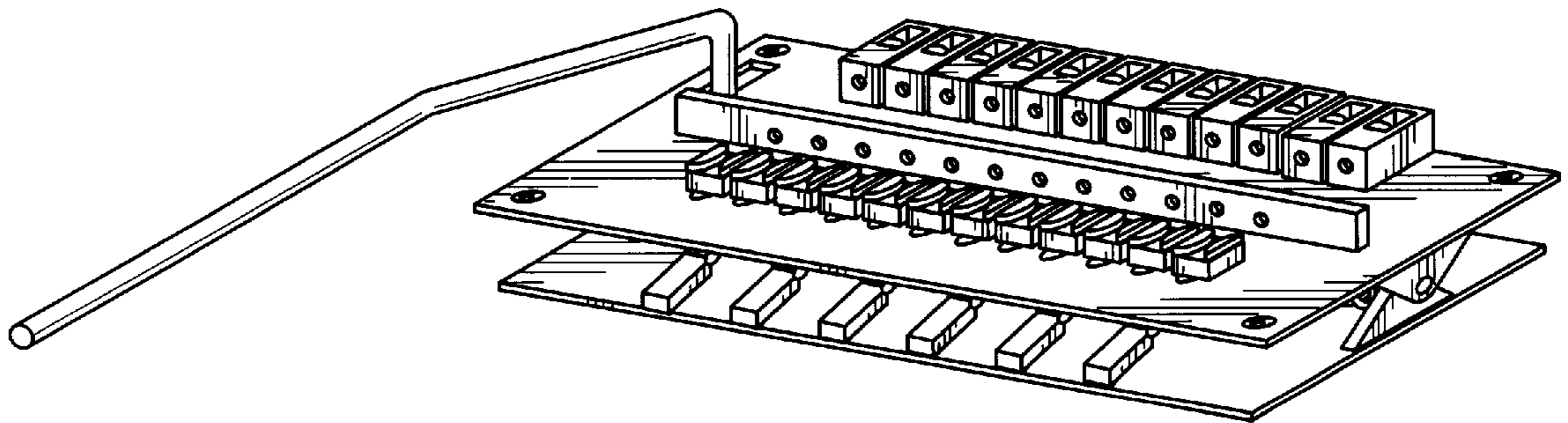


FIG. 1

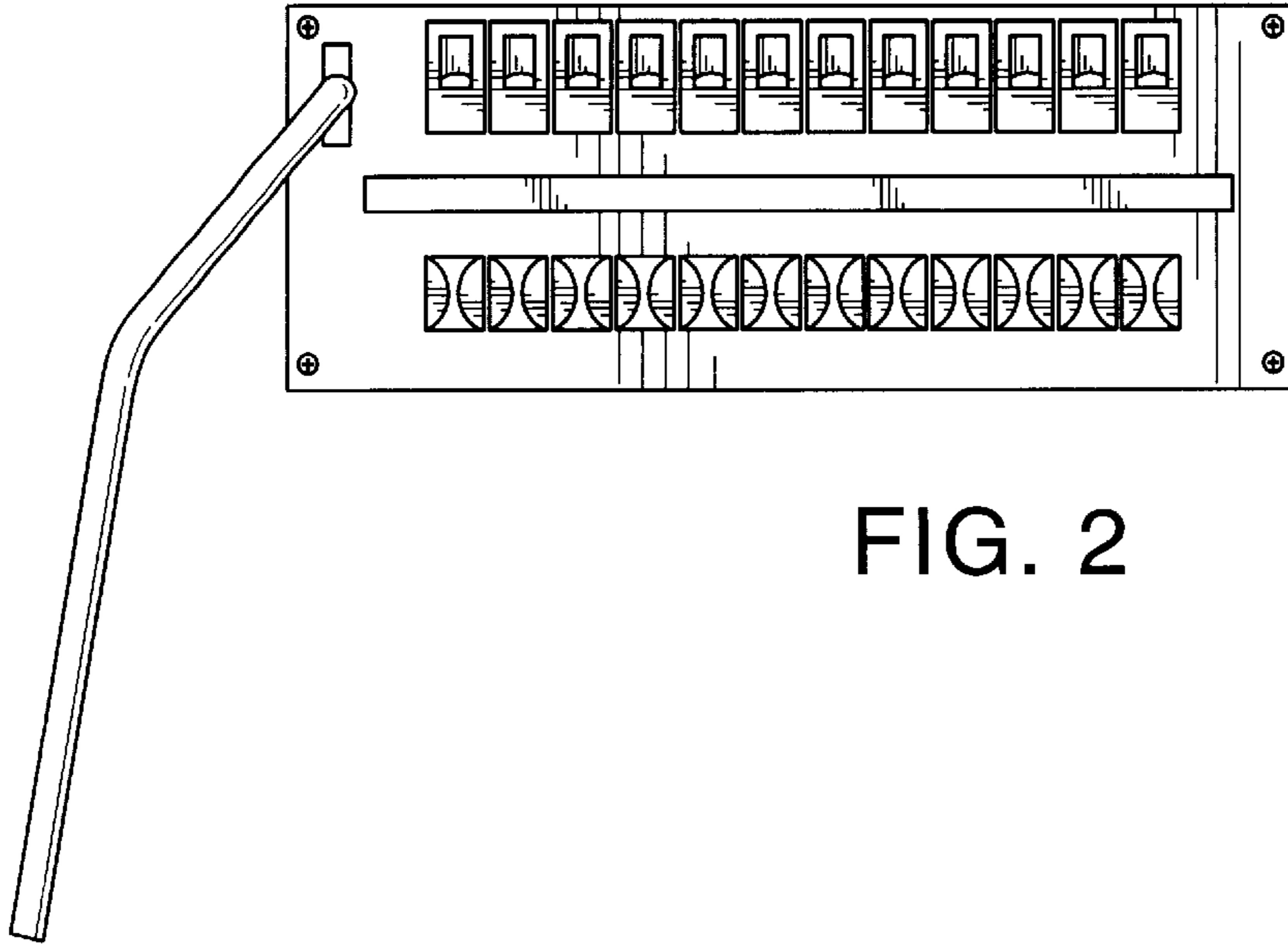


FIG. 2

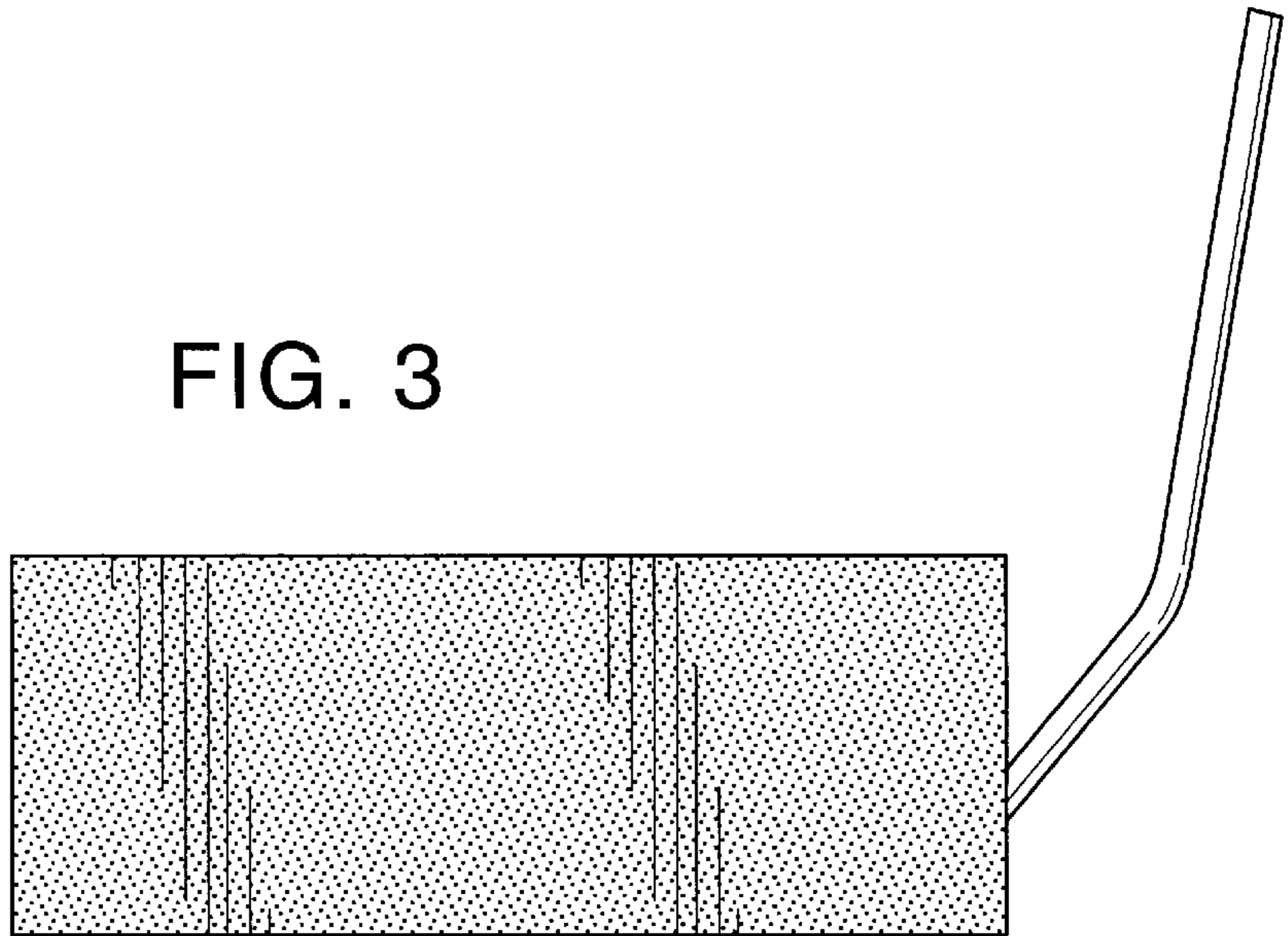


FIG. 3

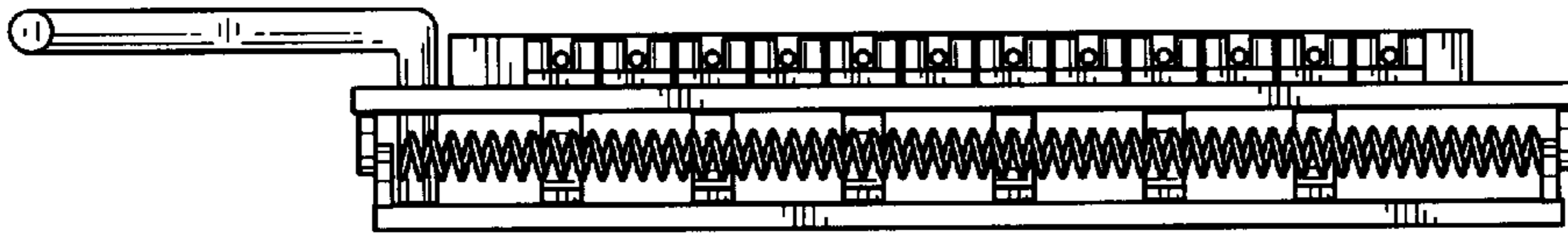
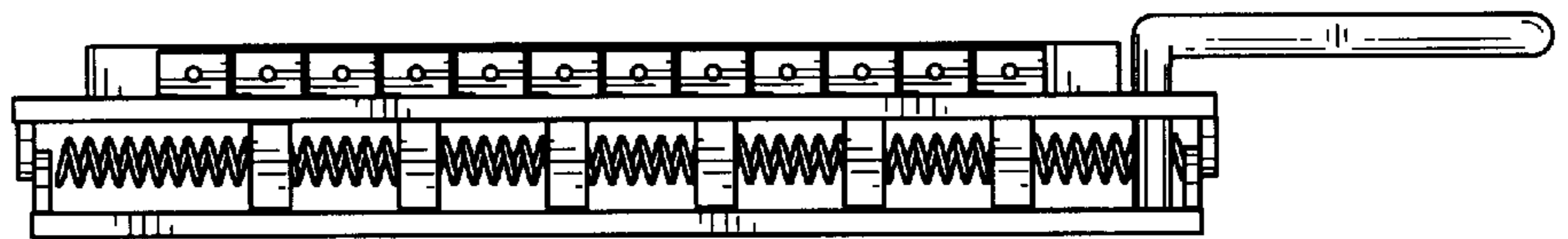


FIG. 4

FIG. 5



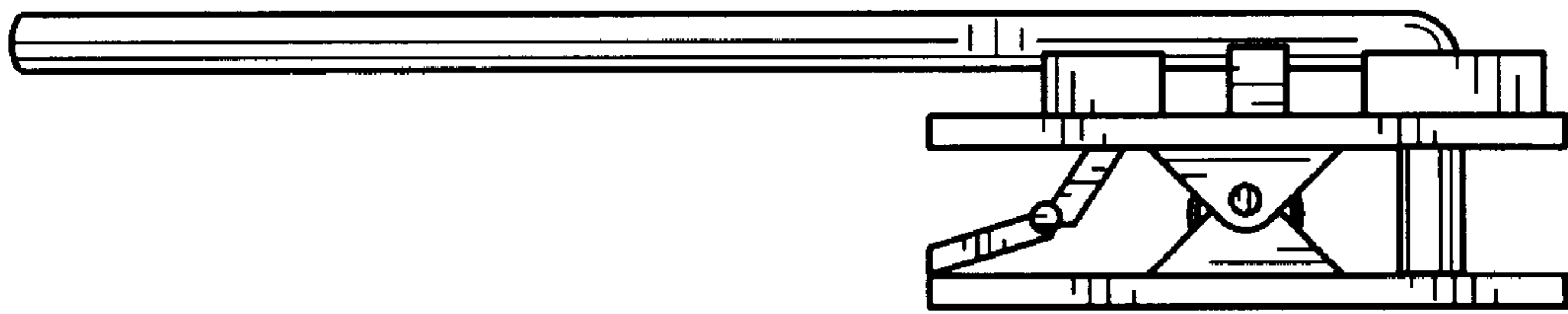


FIG. 6

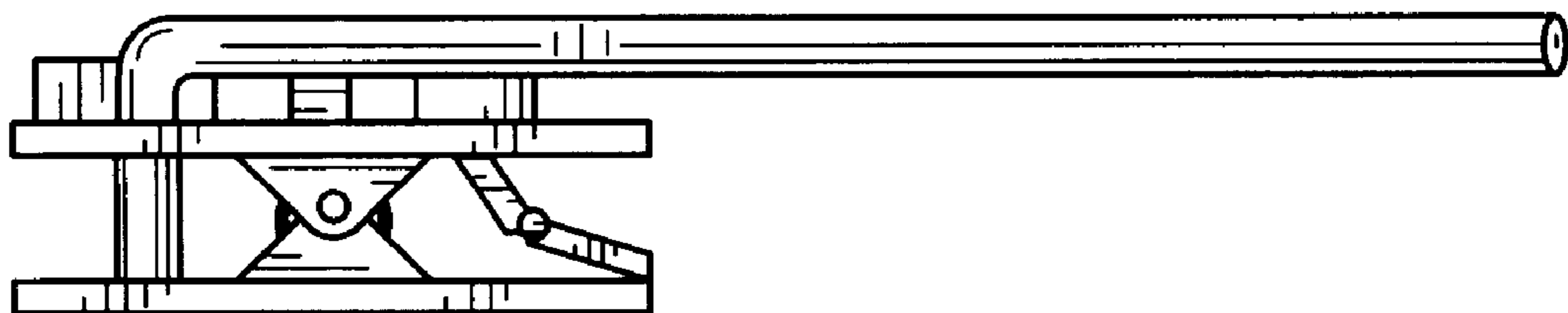


FIG. 7