



US00D425099S

United States Patent [19] Nakanishi

[11] Patent Number: **Des. 425,099**

[45] Date of Patent: **** May 16, 2000**

[54] **GRIP PORTION OF A DIGITAL CAMERA**

[75] Inventor: **Masakazu Nakanishi**, Hashimoto, Japan

[73] Assignee: **Minolta Co., Ltd.**, Osaka, Japan

[**] Term: **14 Years**

[21] Appl. No.: **29/093,590**

[22] Filed: **Sep. 14, 1998**

[51] **LOC (7) Cl.** **16-05**

[52] **U.S. Cl.** **D16/243**

[58] **Field of Search** D16/200-208,
D16/209, 211, 219, 242, 243; 224/908;
396/419, 420; 358/906

[56] **References Cited**

U.S. PATENT DOCUMENTS

| | | | | |
|------------|---------|-----------------|-------|---------|
| D. 327,286 | 6/1992 | Fukutomi | | D16/202 |
| D. 352,517 | 11/1994 | Sugiyama | | D16/202 |
| D. 402,301 | 12/1998 | Sekine | | D16/202 |
| D. 408,040 | 4/1999 | Miyahara | | D16/202 |
| 5,223,878 | 6/1993 | Shintani et al. | | 396/419 |

OTHER PUBLICATIONS

Popular Photography, Nov. 1986 p. 70 (Fujix ES-2P camera).

“RD-175,” Minolta Digital Camera Brochure, Minolta Co., Ltd., Jan. 1998.

“E2N/E2Ns,” Nikon Professional Digital Still Camera Brochure, Nikon Corporation, Feb. 26, 1998.

Primary Examiner—Adir Aronovich
Attorney, Agent, or Firm—Burns, Doane, Swecker & Mathis, LLP

[57] **CLAIM**

The ornamental design for a grip portion of a digital camera, as shown and described.

DESCRIPTION

FIG. 1 is a front perspective view of a grip portion of a digital camera showing my new design;

FIG. 2 is a rear perspective view thereof;

FIG. 3 is a front elevational view thereof;

FIG. 4 is a rear elevational view thereof;

FIG. 5 is a top plan view thereof;

FIG. 6 is a bottom plan view thereof;

FIG. 7 is a left side elevational view thereof; and,

FIG. 8 is a right side elevational view thereof.

The portion of the digital camera shown in broken lines is for illustrative purposes only and forms no part of the claimed design.

1 Claim, 5 Drawing Sheets

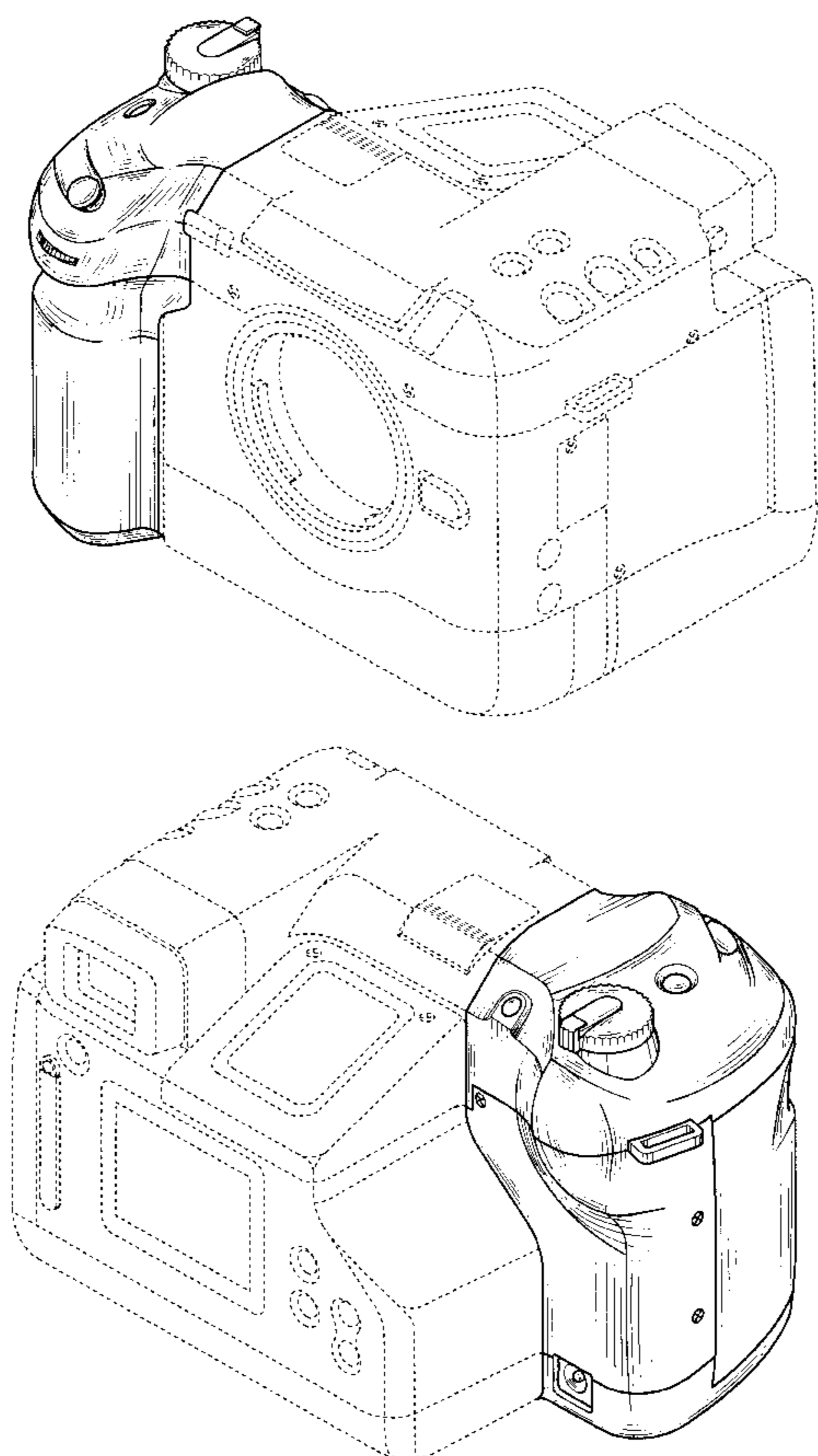


FIG. 1

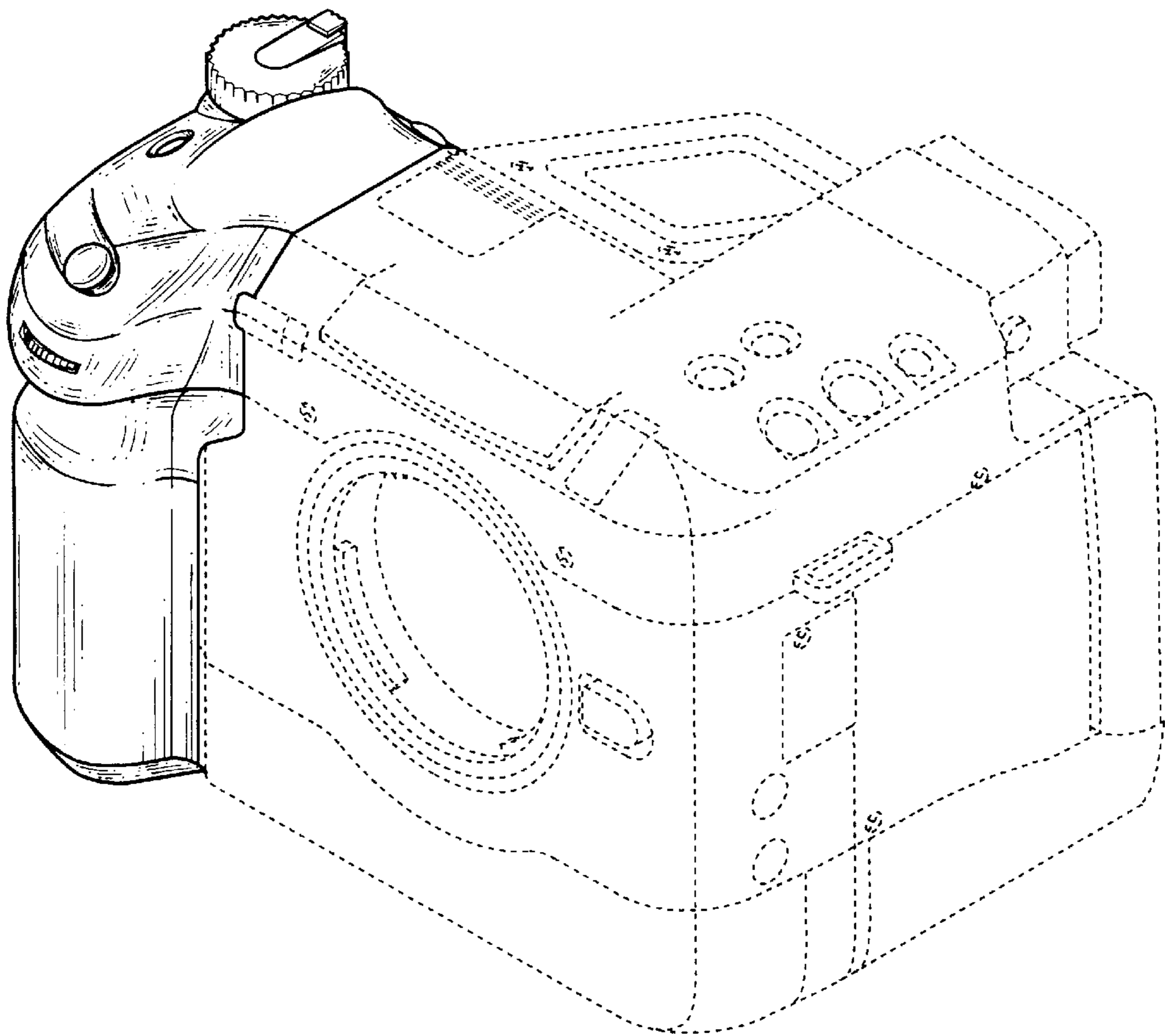


FIG. 2

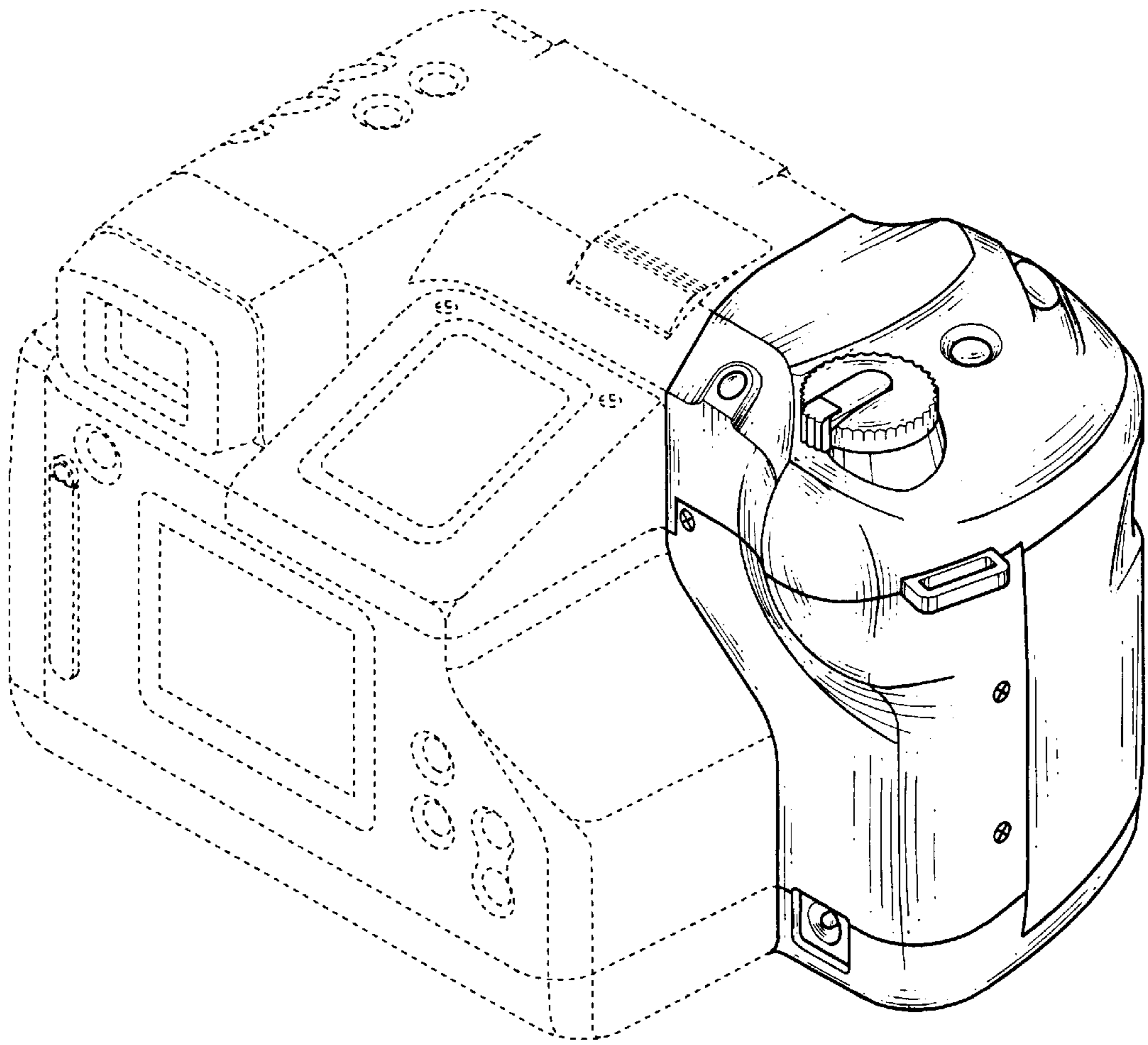


FIG. 3

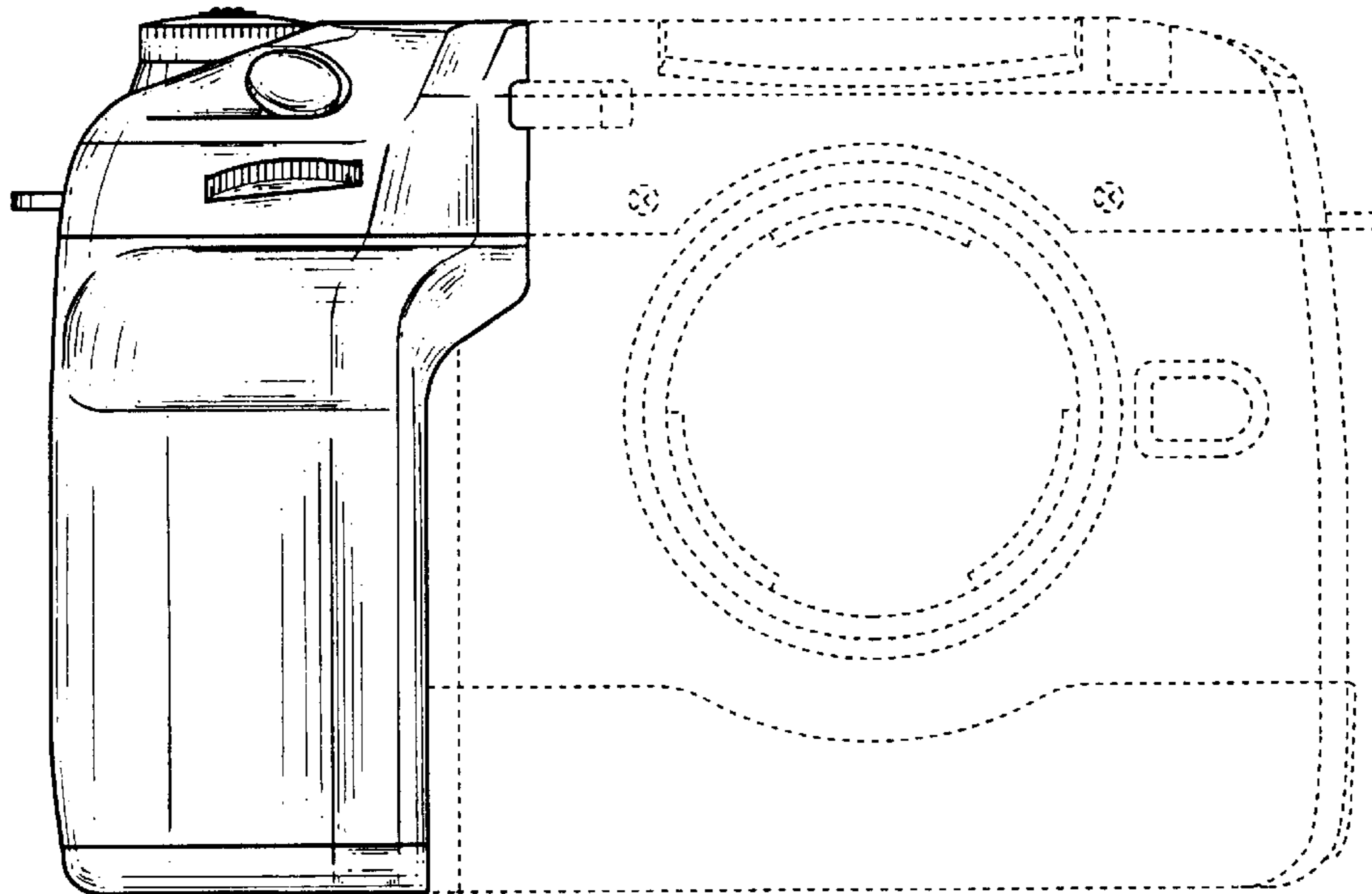


FIG. 4

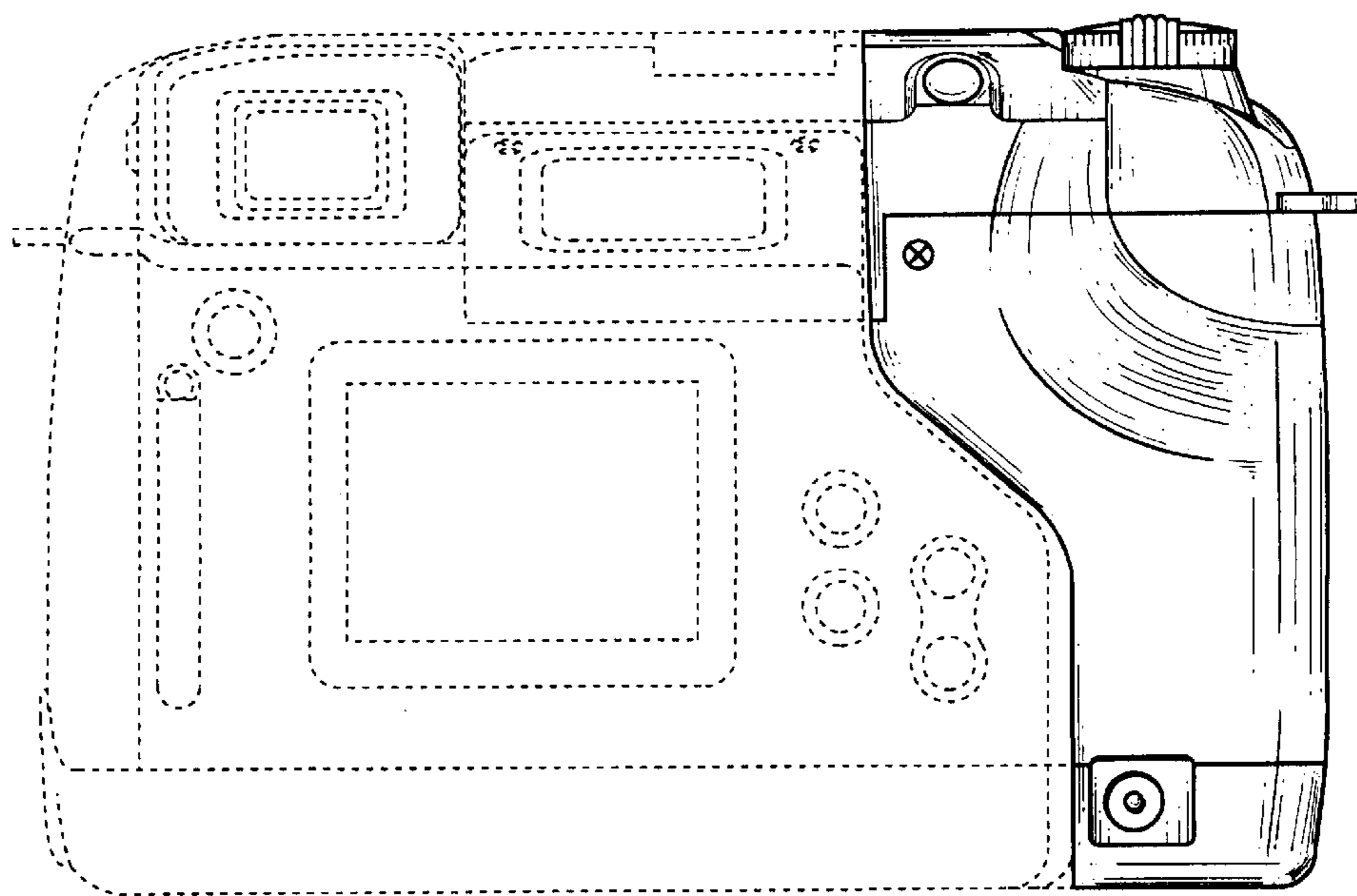


FIG. 5

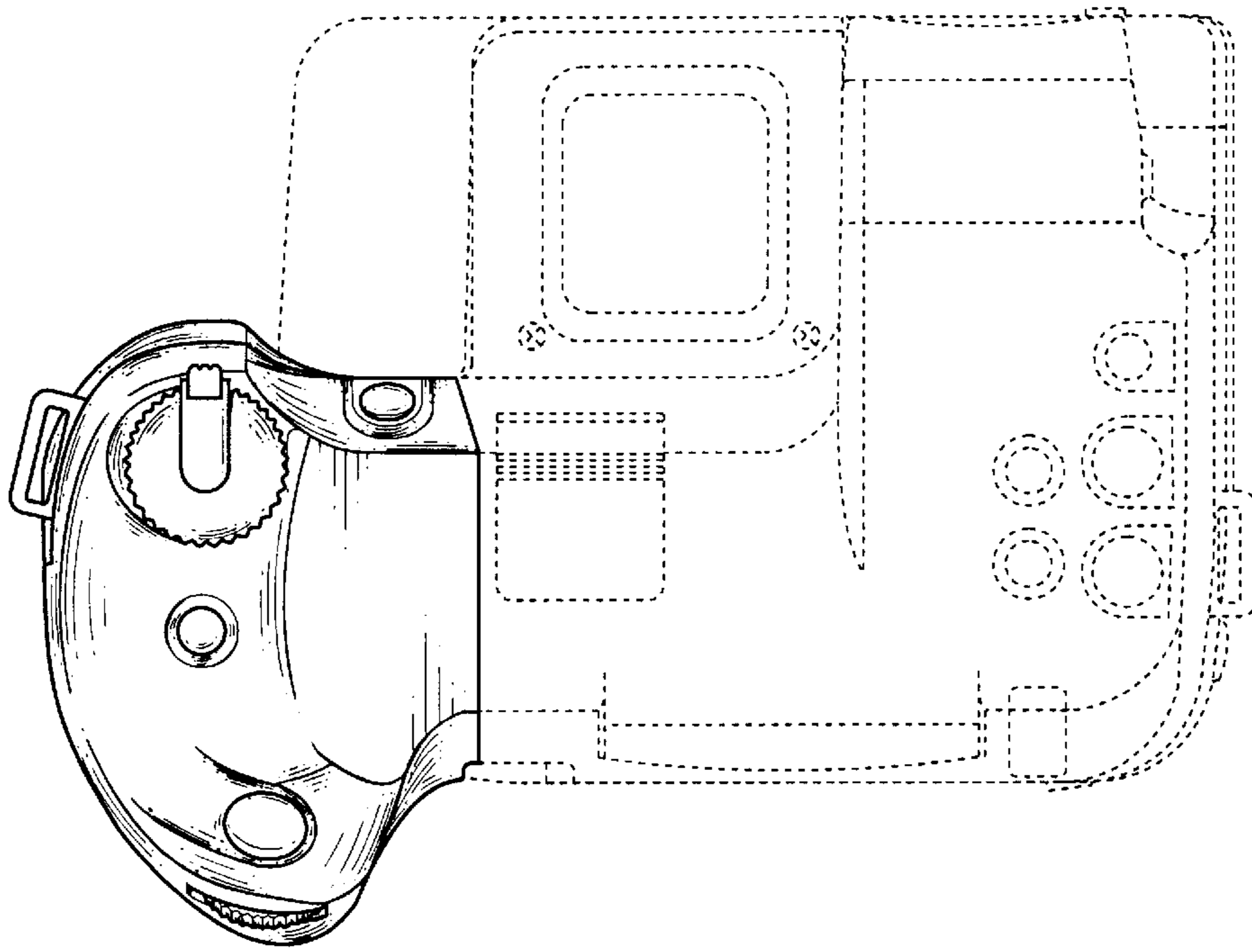


FIG. 6

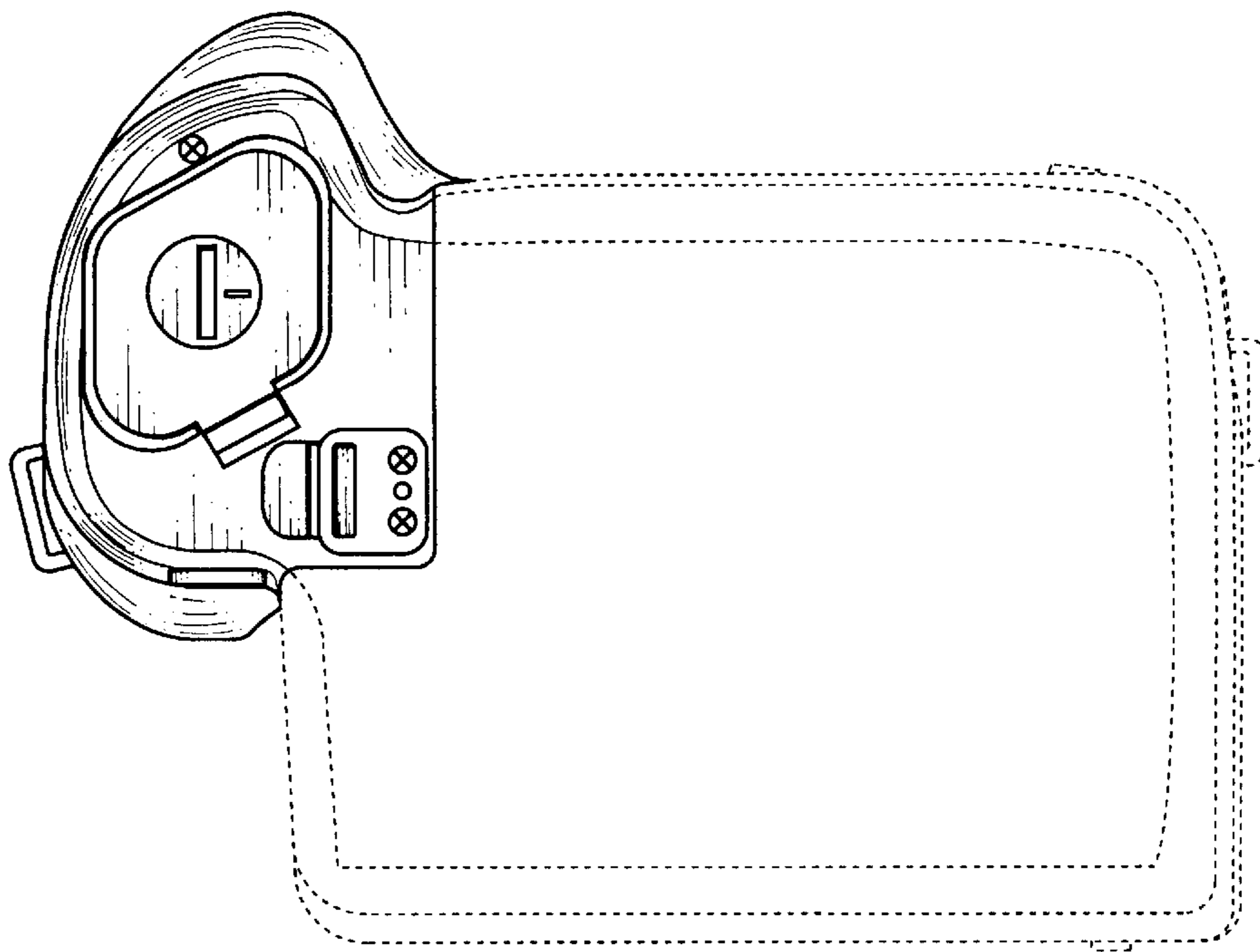


FIG. 7

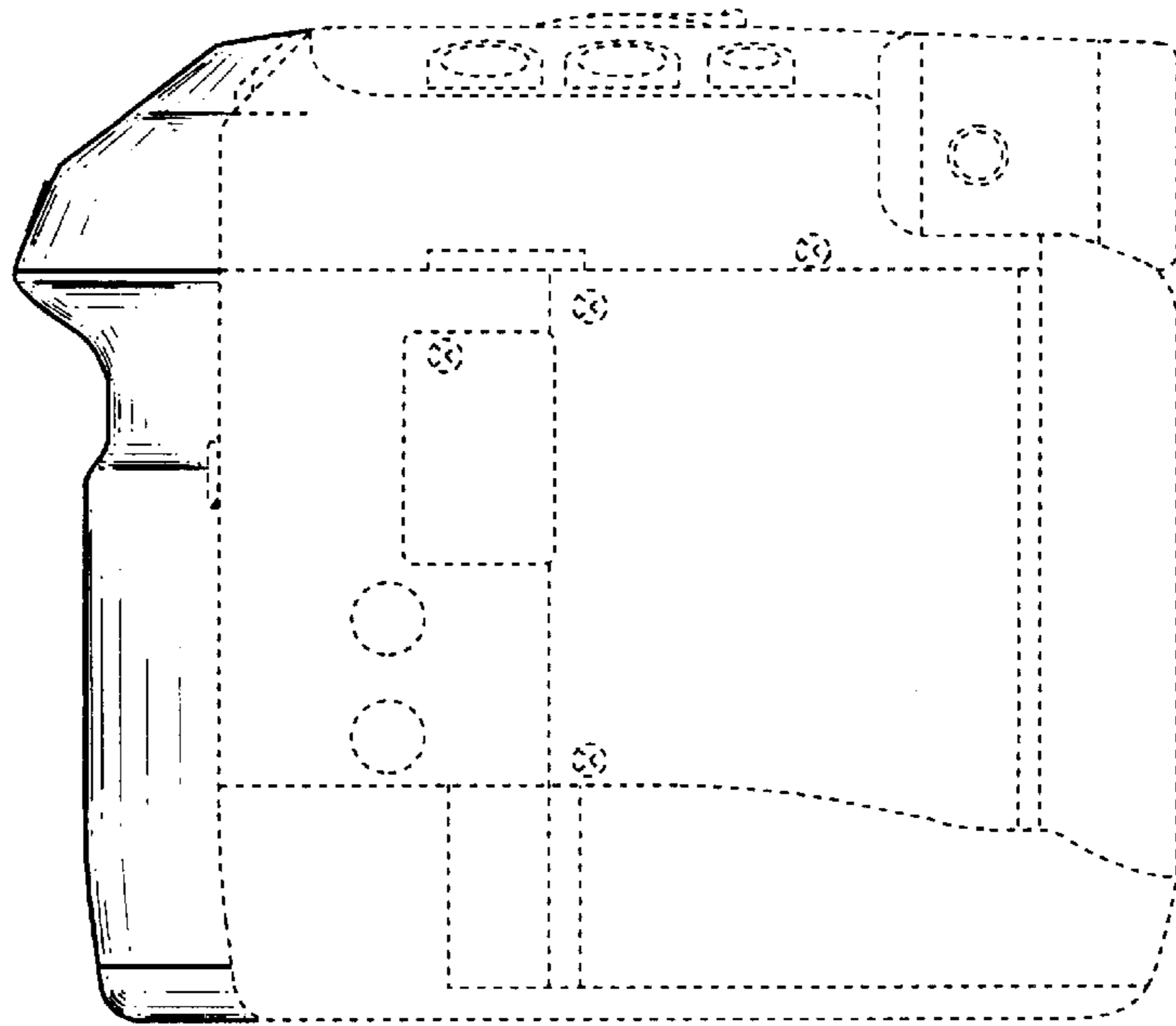


FIG. 8

